



US00D412788S

# United States Patent [19]

Van Wagoner et al.

[11] Patent Number: Des. 412,788

[45] Date of Patent: \*\* Aug. 17, 1999

[54] LIFTING BOX

[75] Inventors: Earl Van Wagoner; Keith L. Blankenship, both of Macon, Ga.

[73] Assignee: Blankenship Corporation, Macon, Ga.

[\*\*] Term: 14 Years

[21] Appl. No.: 29/056,213

[22] Filed: Jun. 25, 1996

[51] LOC (6) Cl. .... 03-01

[52] U.S. Cl. .... D3/307; D3/308

[58] Field of Search ..... D3/304, 307, 308, D3/312, 315, 309; D7/547; 220/517, 716, 519, 771, 337; 206/431, 427

[56] **References Cited**

**U.S. PATENT DOCUMENTS**

|            |         |                 |       |          |
|------------|---------|-----------------|-------|----------|
| D. 167,622 | 9/1952  | Erickson        | ..... | D3/312   |
| D. 188,073 | 5/1960  | Lovell          | ..... | D3/312   |
| D. 199,642 | 11/1964 | Beesley et al.  | ..... | D3/312   |
| D. 200,602 | 3/1965  | Matthias et al. | ..... | D3/312   |
| D. 231,772 | 6/1974  | Gary et al.     | ..... | D3/312   |
| D. 231,905 | 6/1974  | Rehrig et al.   | ..... | D3/312   |
| D. 306,227 | 2/1990  | Ross            | ..... | D3/312   |
| D. 326,587 | 6/1992  | Convertini      | ..... | D7/547 X |
| D. 347,143 | 5/1994  | Awyong          | ..... | D7/547 X |

|            |         |              |       |           |
|------------|---------|--------------|-------|-----------|
| D. 370,999 | 6/1996  | Umiker       | ..... | D3/307 X  |
| D. 374,121 | 10/1996 | Provot       | ..... | D3/307 X  |
| 3,005,568  | 10/1961 | Clune et al. | ..... | 220/517   |
| 3,186,586  | 6/1965  | Box          | ..... | D3/307 X  |
| 3,339,796  | 9/1967  | Struble      | ..... | D3/309 X  |
| 3,506,154  | 4/1970  | Barnes       | ..... | 220/516 X |

Primary Examiner—M. N. Pandozzi  
Attorney, Agent, or Firm—Thomas, Kayden, Horstemeyer & Risley

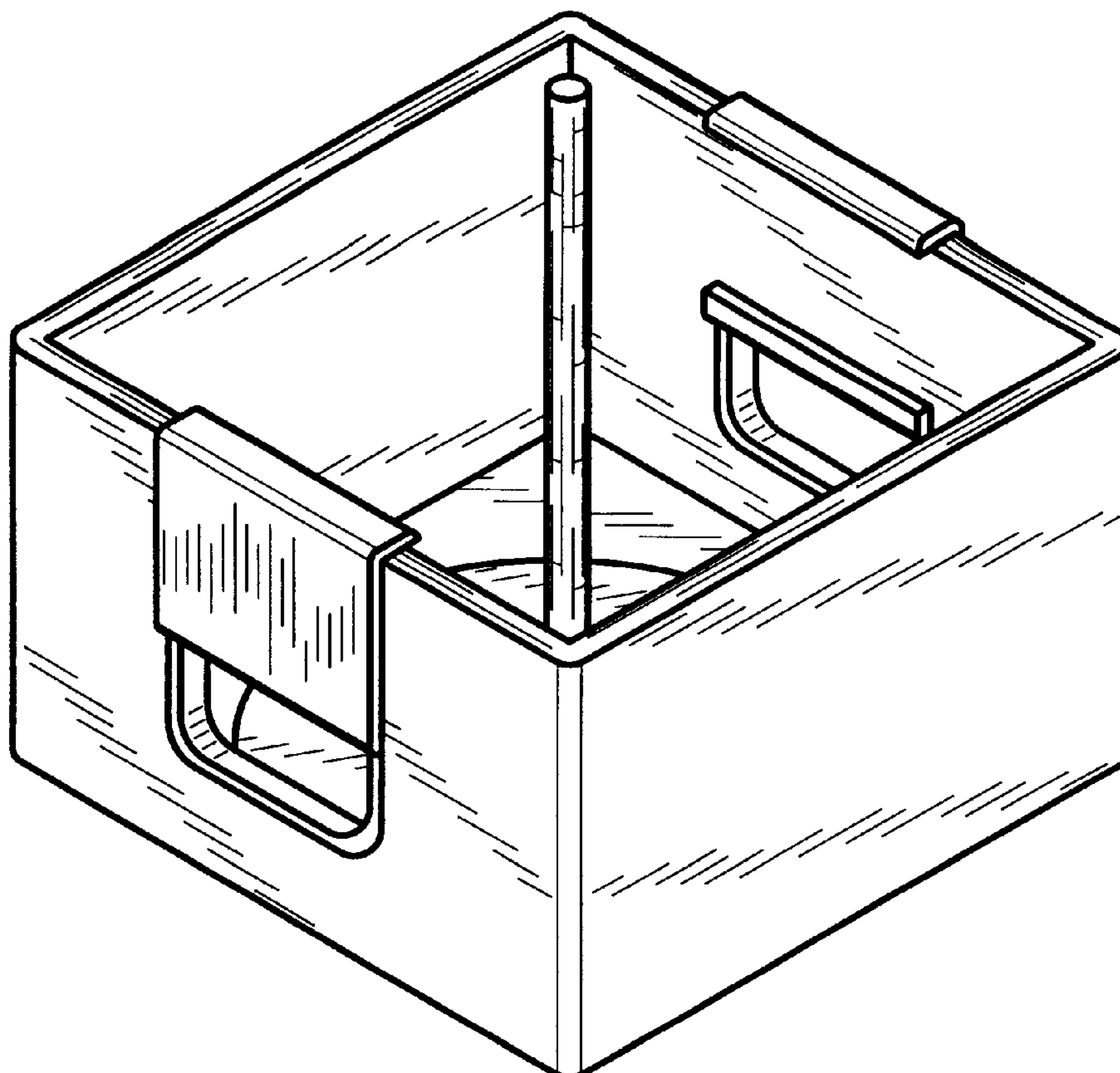
[57] **CLAIM**

The ornamental design for a lifting box, as shown and described.

**DESCRIPTION**

FIG. 1 is a top plan view of a lifting box showing my new design;  
FIG. 2 is a bottom plan view thereof;  
FIG. 3 is a front elevational view thereof, the rear elevational view being a mirror image thereof;  
FIG. 4 is a left side elevational view thereof, the right side elevational view being a mirror image thereof;  
FIG. 5 is a top perspective view showing the top, left side and front side thereof; and,  
FIG. 6 is bottom perspective view showing the bottom, right side and back side thereof.

**1 Claim, 3 Drawing Sheets**



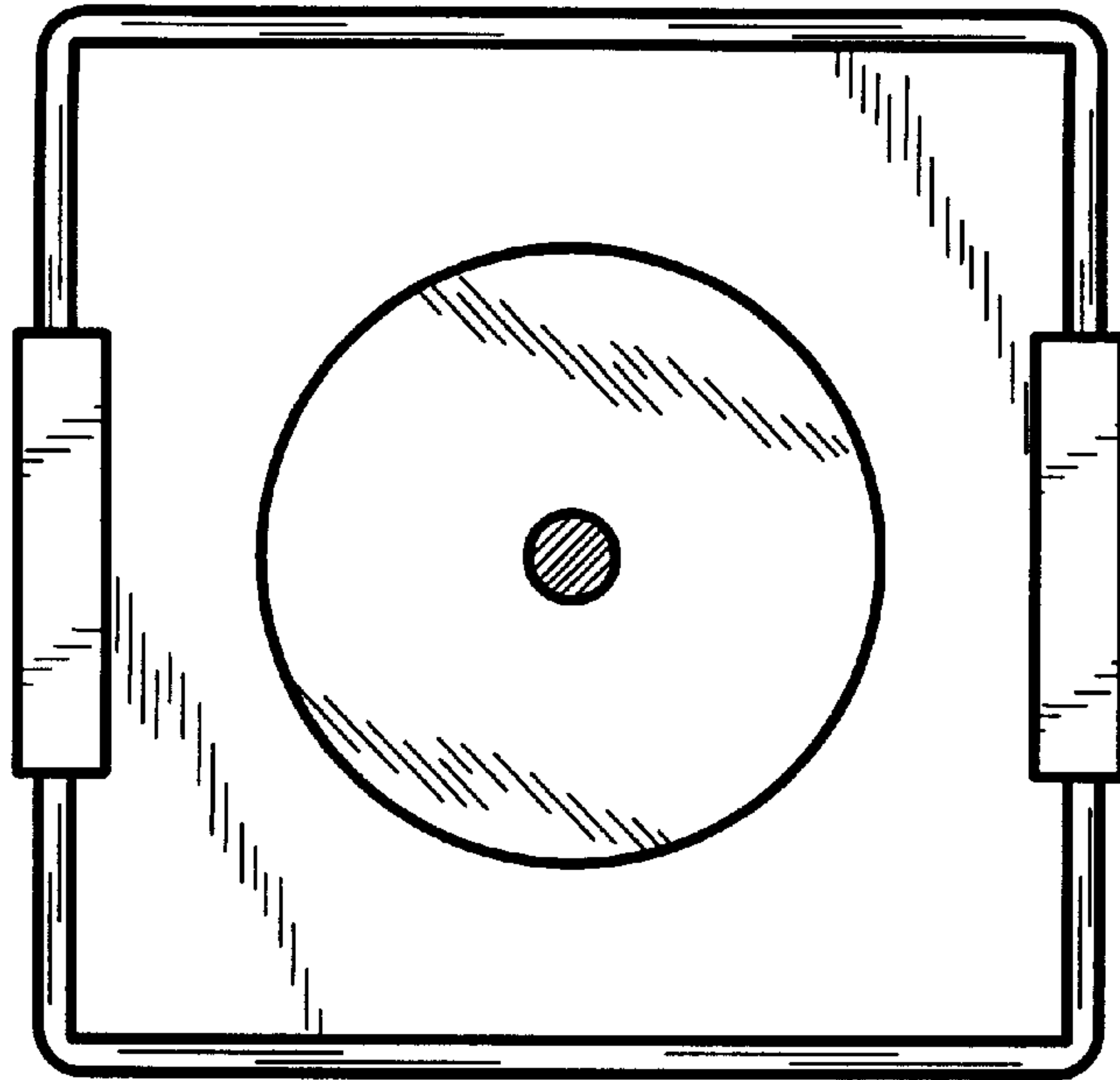


FIG. 1

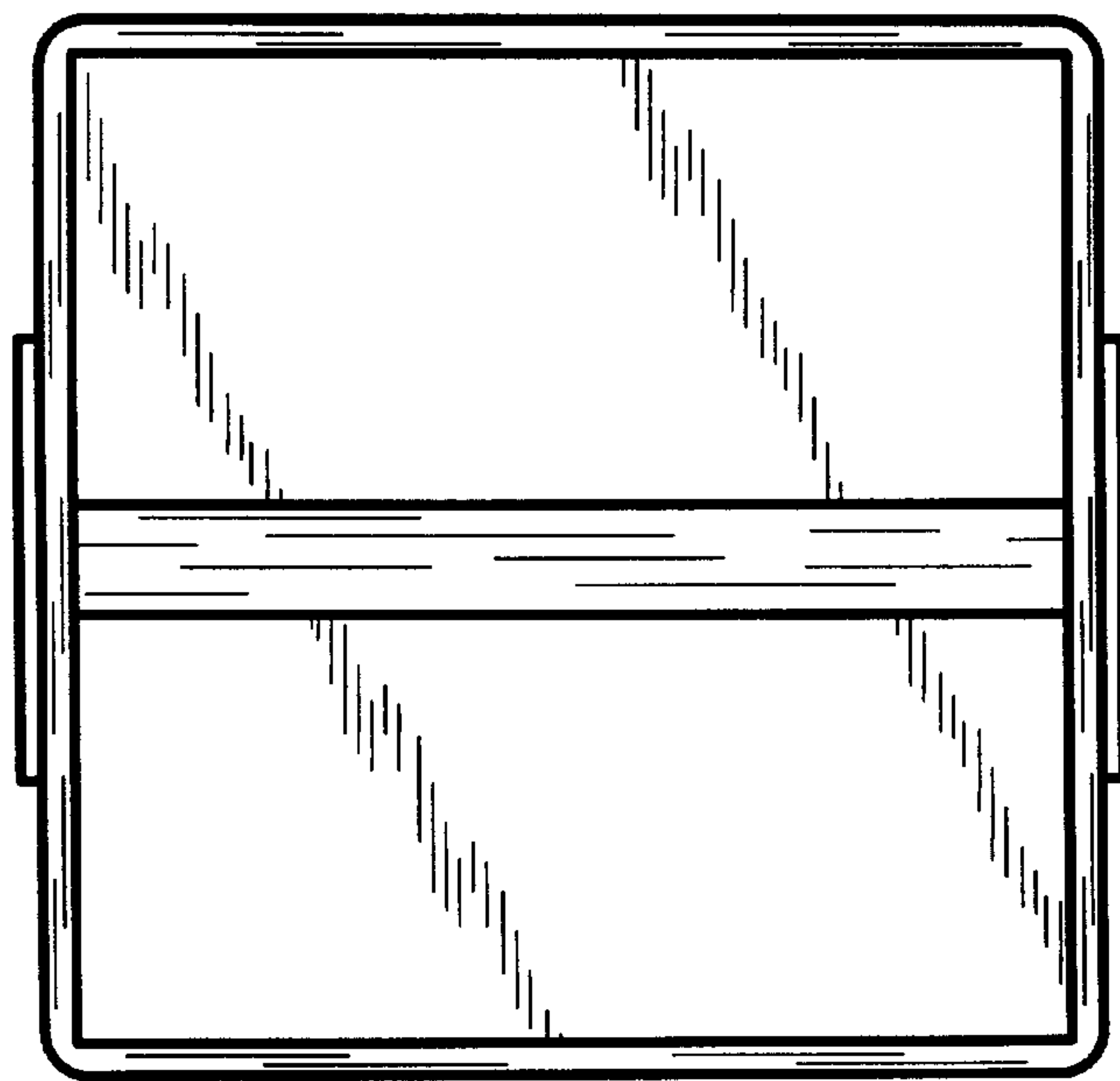


FIG. 2

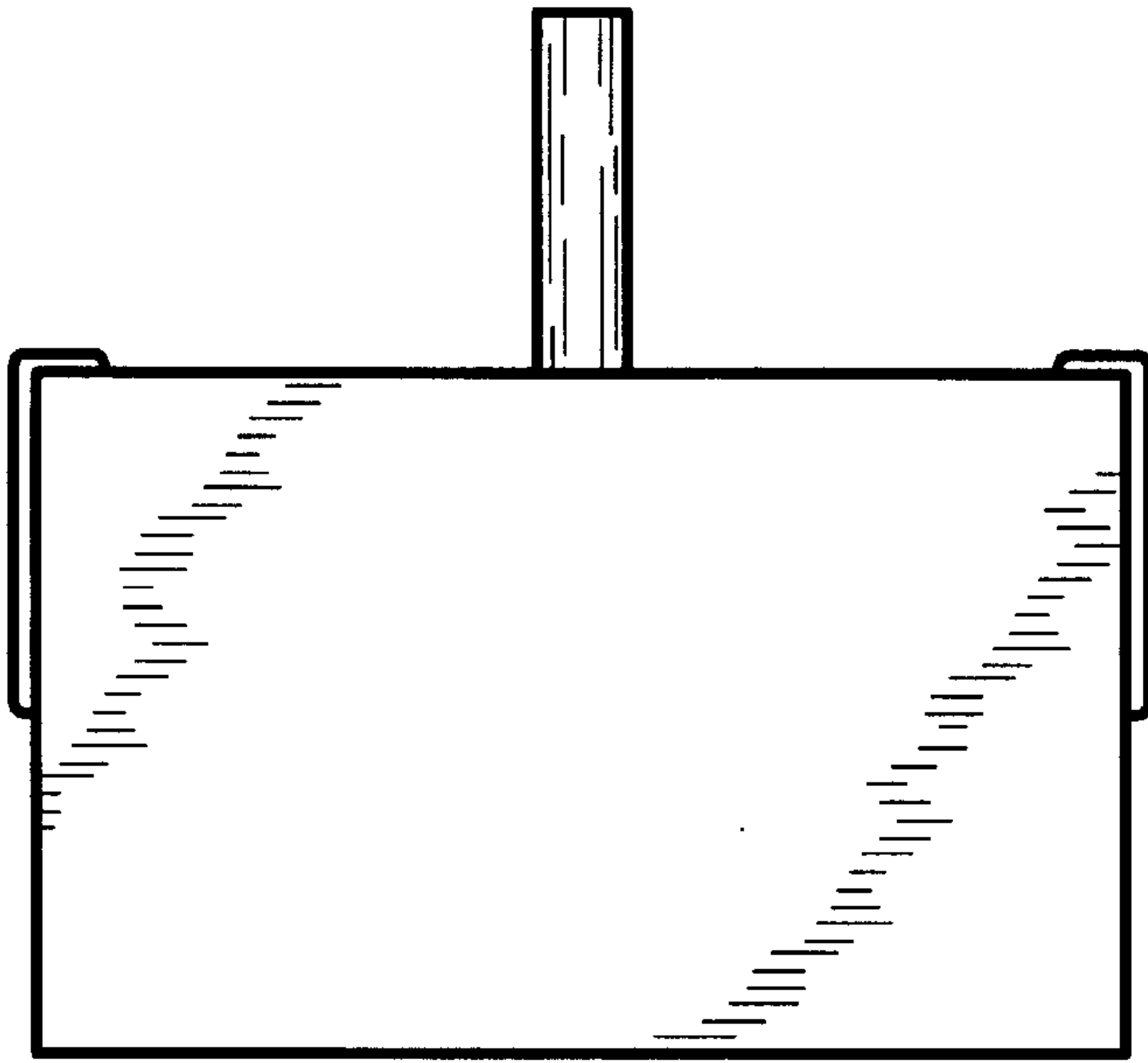


FIG. 3

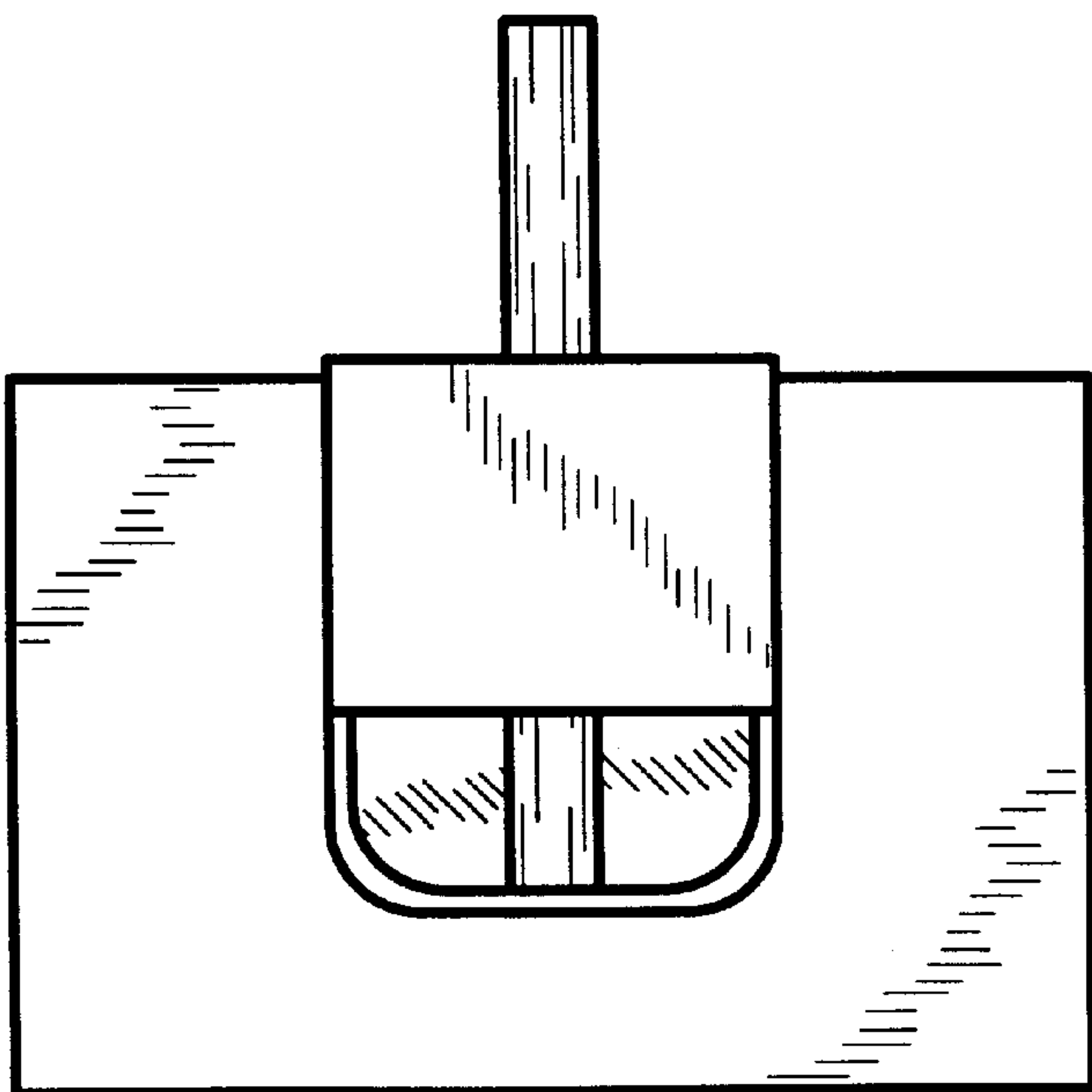


FIG. 4

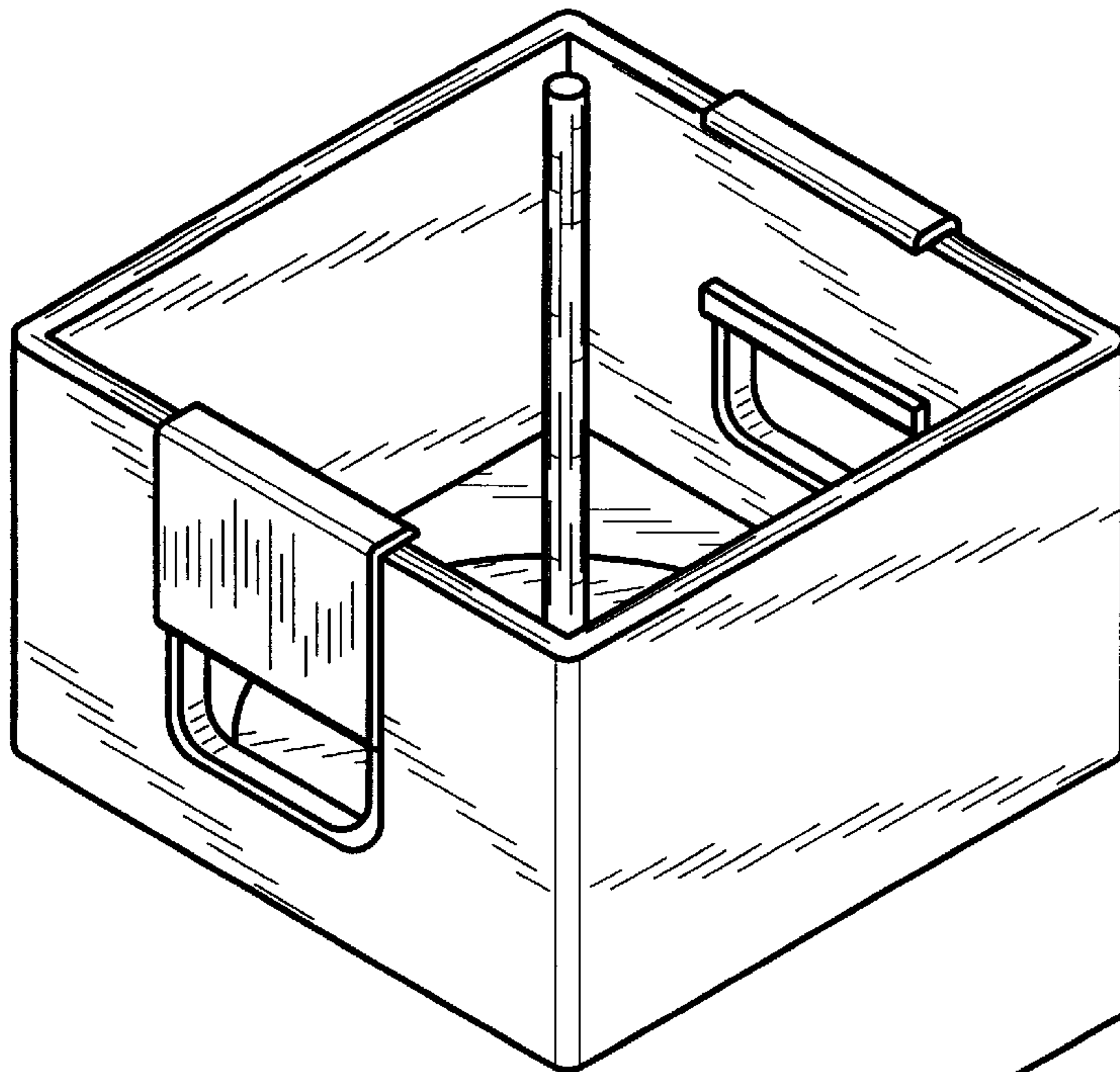


FIG. 5

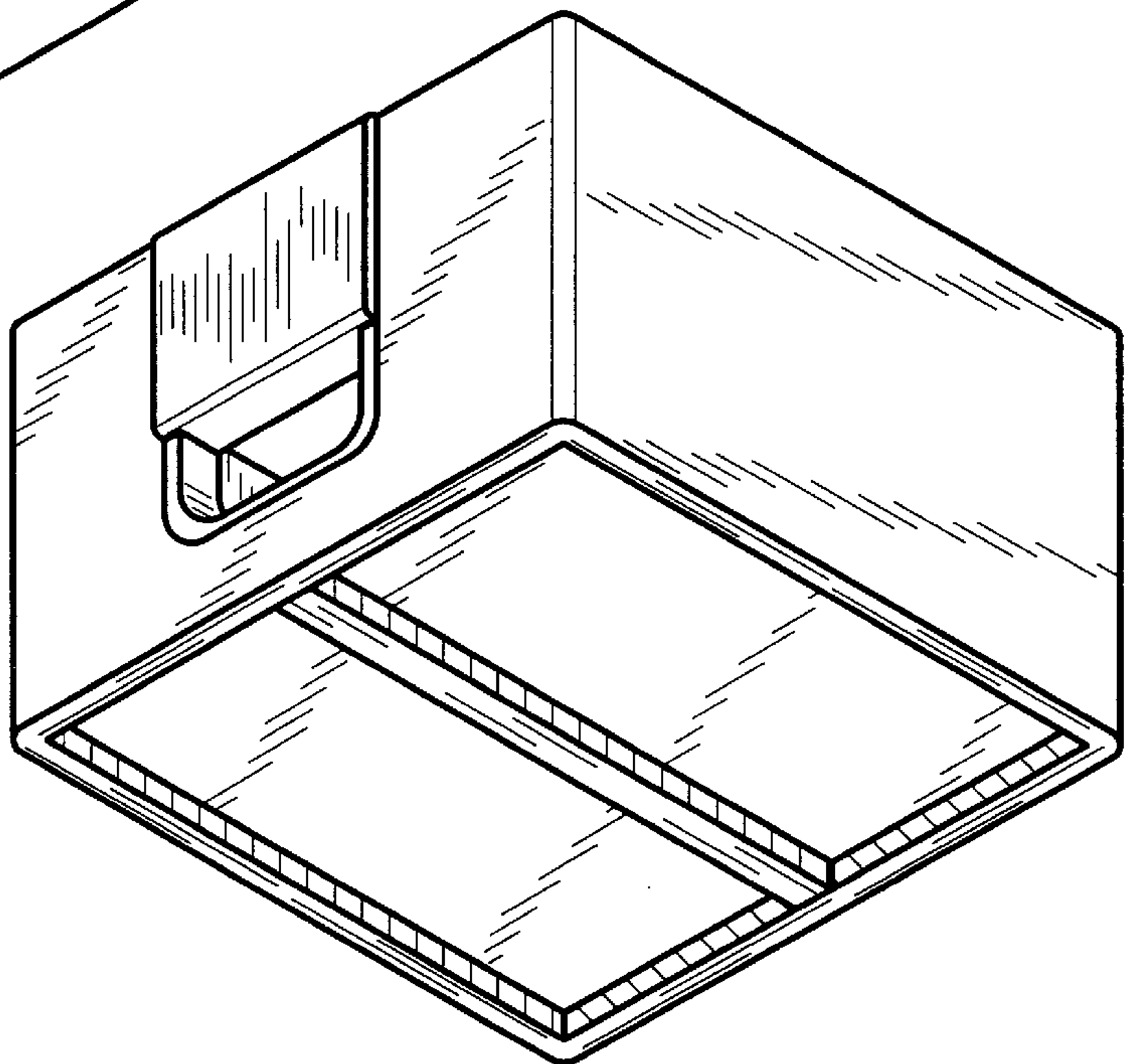


FIG. 6