



US00D412785S

United States Patent [19] Chen

[11] Patent Number: Des. 412,785

[45] Date of Patent: ** Aug. 17, 1999

[54] TOOL BOX

[76] Inventor: **Guo Shu Chen**, 11F-2 43 Jan-I Street,
Taichung, Taiwan

[**] Term: **14 Years**

[21] Appl. No.: **29/088,208**

[22] Filed: **May 18, 1998**

[51] LOC (6) Cl. **03-01**

[52] U.S. Cl. **D3/273; D3/905; D3/294**

[58] Field of Search D3/273, 276, 282,
D3/274, 905, 294, 281; 206/315.1, 349,
372, 373

[56] **References Cited**

U.S. PATENT DOCUMENTS

D. 305,809	1/1990	Weber et al.	D3/282
D. 309,143	7/1990	Yang	D3/281
D. 309,832	8/1990	Hung	D3/282
D. 311,449	10/1990	Paschal	D3/294
D. 321,985	12/1991	Ward	D3/282

D. 339,684	9/1993	Cislo	D3/282
D. 341,935	12/1993	Peersmann	D3/294
D. 347,731	6/1994	Hayakawa et al.	D3/282
D. 358,709	5/1995	Chang	D3/282

Primary Examiner—Philip S. Hyder
Attorney, Agent, or Firm—Charles E. Baxley, Esq.

[57] **CLAIM**

The ornamental design for a tool box, as shown and described.

DESCRIPTION

FIG. 1 is a front-right-top perspective view of a tool box, showing my new design;

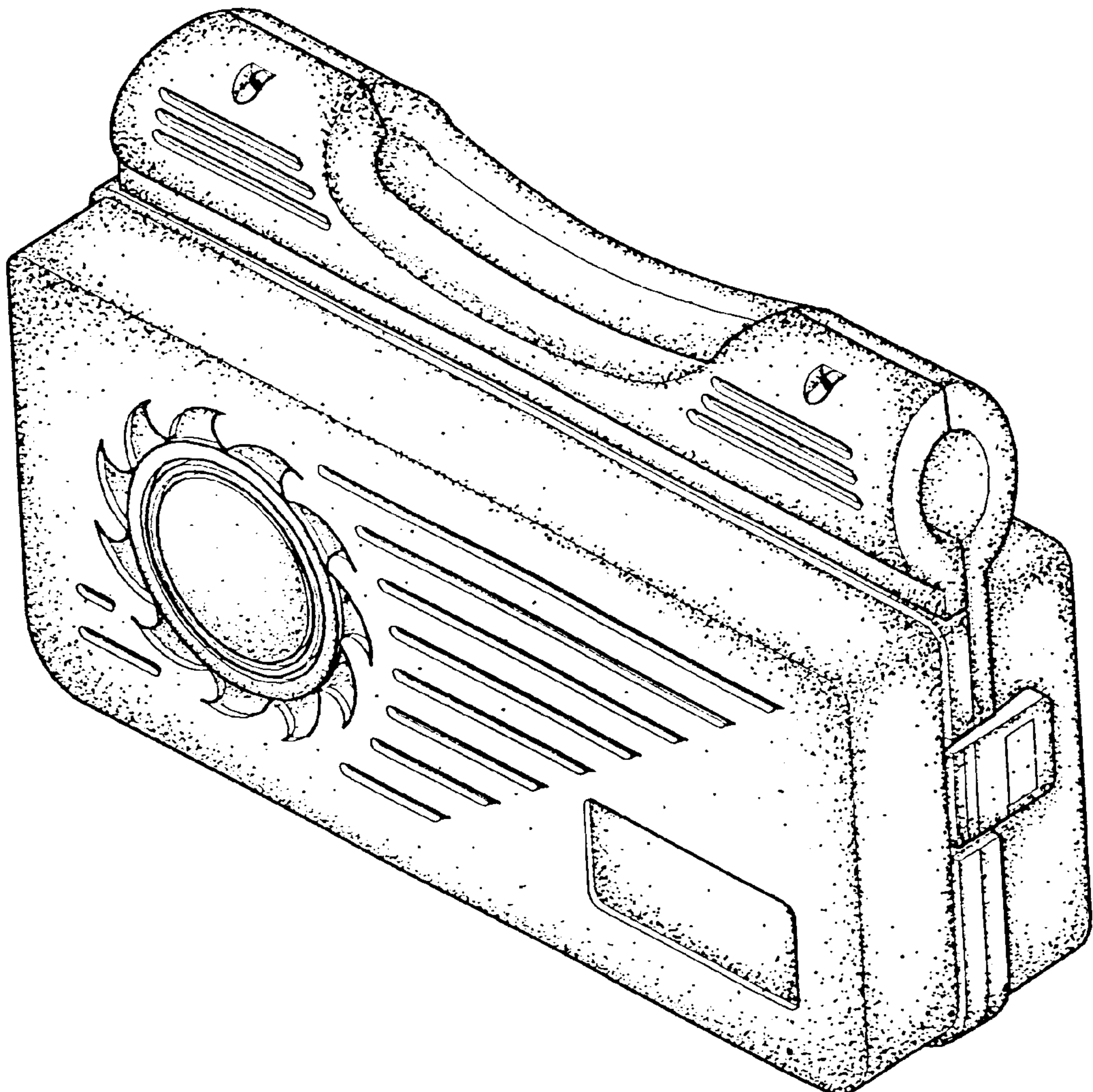
FIG. 2 is a front elevational view thereof, the rear side being a mirror image thereof;

FIG. 3 is a right side elevational view thereof, the left side being a mirror image thereof;

FIG. 4 is a top plan view thereof; and,

FIG. 5 is a bottom plan view thereof.

1 Claim, 3 Drawing Sheets



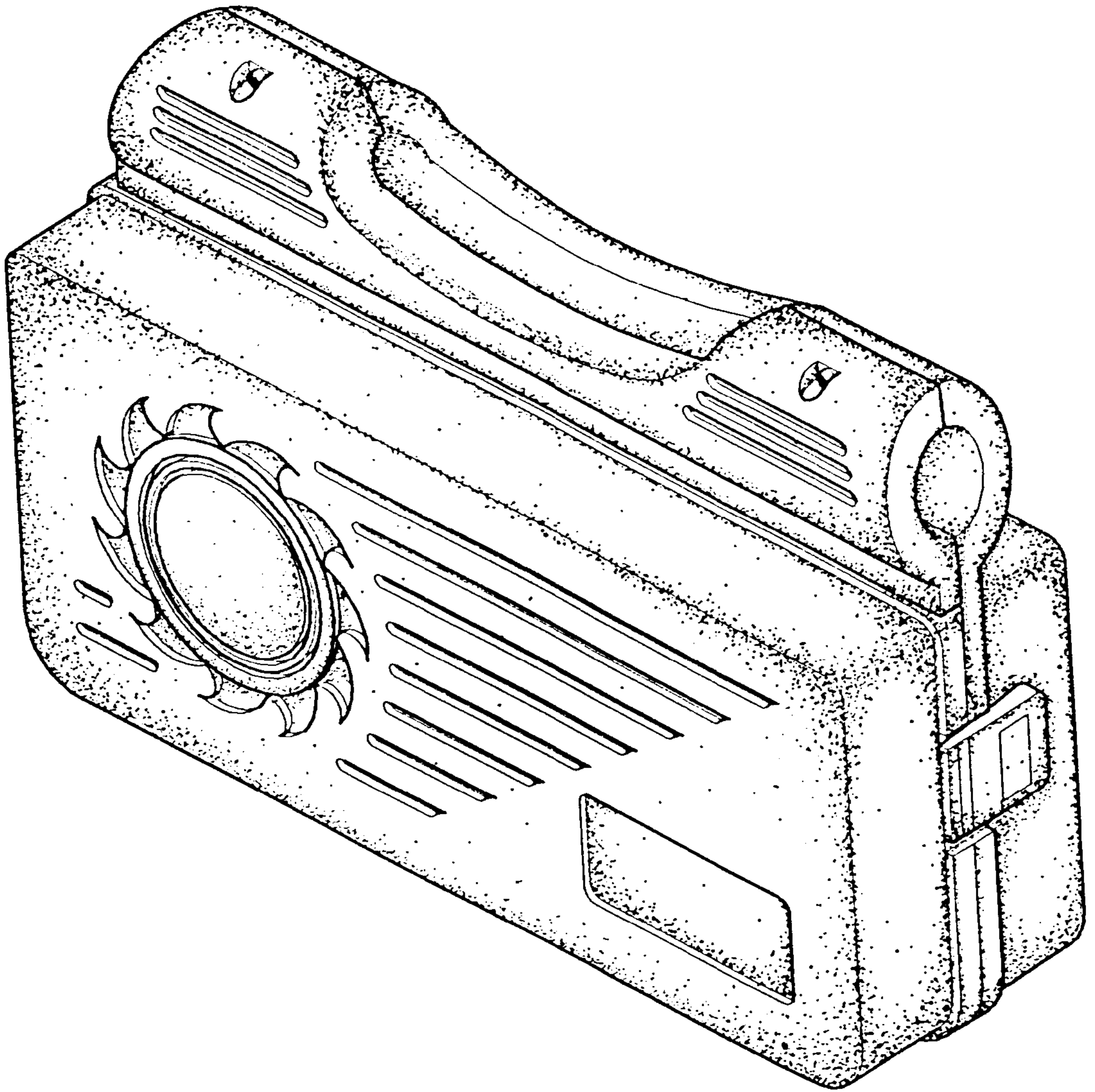


FIG · 1

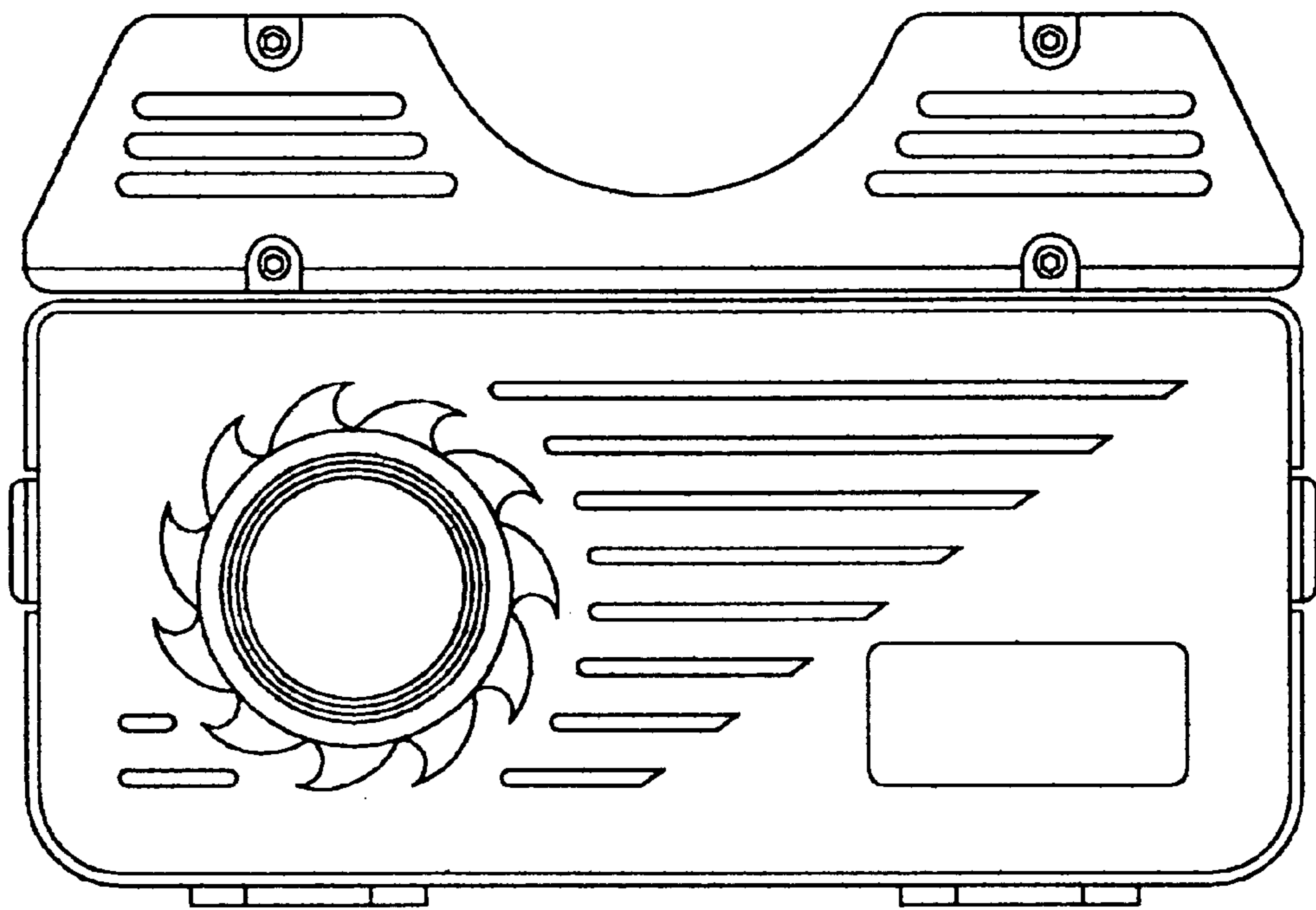


FIG · 2

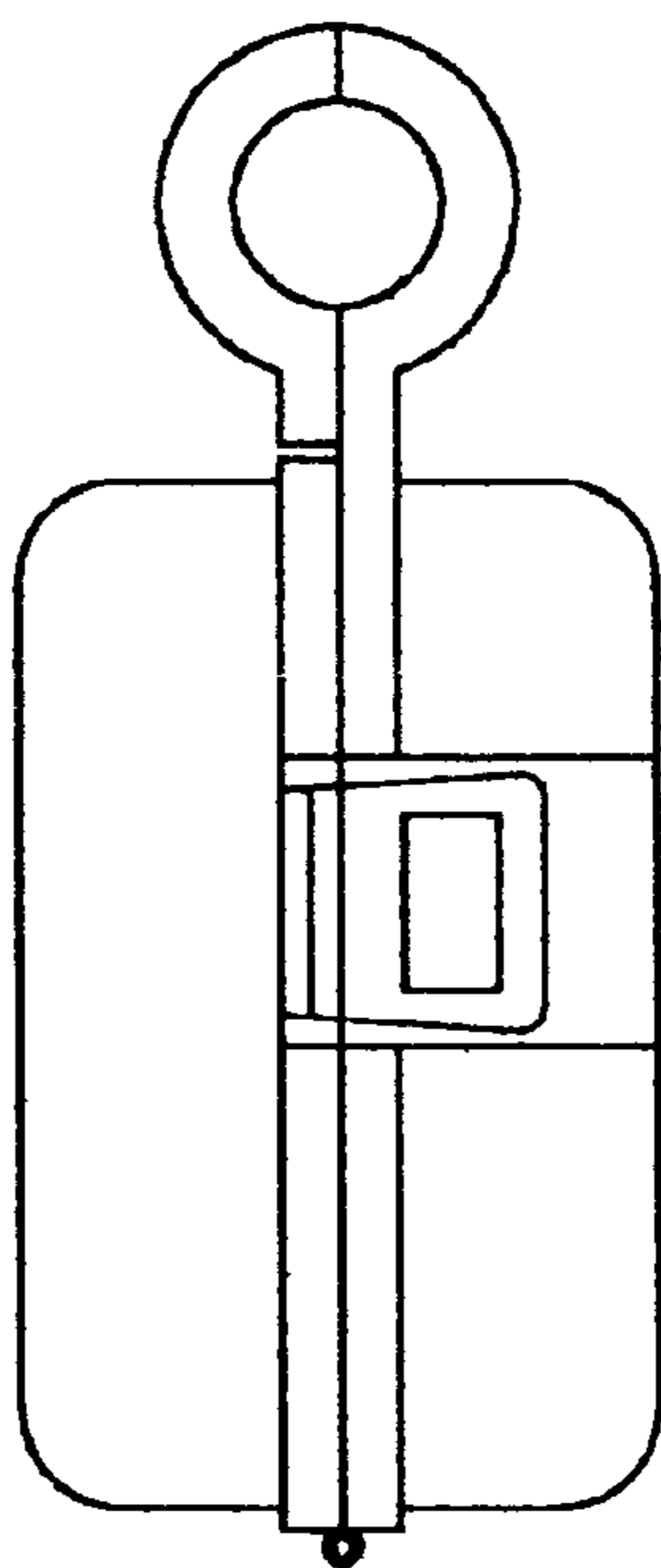


FIG · 3

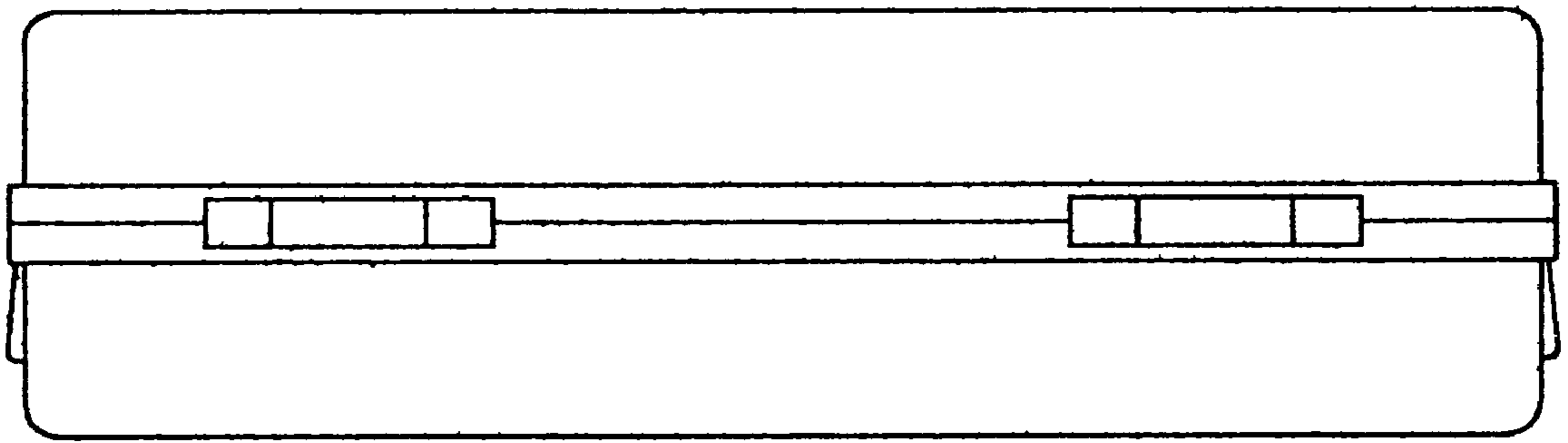


FIG. 5

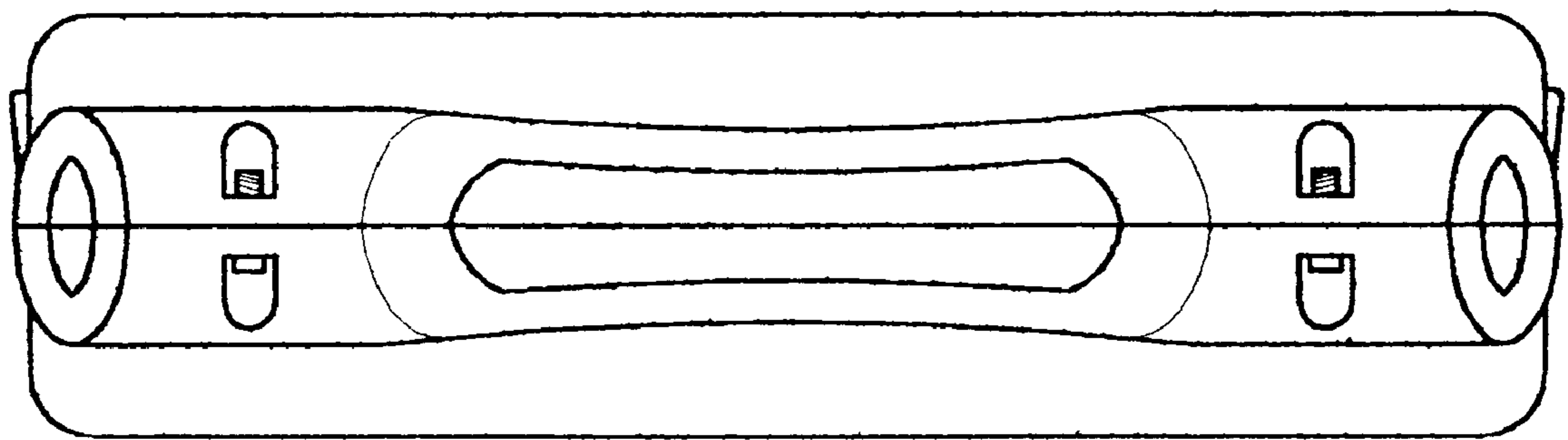


FIG. 4