



US00D412774S

United States Patent [19]
Shwartz

[11] **Patent Number: Des. 412,774**

[45] **Date of Patent: ** Aug. 17, 1999**

[54] **VISOR**

[75] Inventor: **Kenneth A. Shwartz**, Mattapoissett, Mass.

[73] Assignee: **Ahead Headgear, Inc.**, New Bedford, Mass.

[**] Term: **14 Years**

[21] Appl. No.: **29/098,624**

[22] Filed: **Jan. 4, 1999**

[51] **LOC (6) Cl.** **02-03**

[52] **U.S. Cl.** **D2/876; D2/865**

[58] **Field of Search** D2/865, 871, 872, D2/875, 876, 879, 882, 891; 2/12, 174, 195.1, 171, 175.6; D29/109; D14/140

[56] **References Cited**

U.S. PATENT DOCUMENTS

D. 237,758	11/1975	Huffman	D2/876
D. 267,752	2/1983	Fairbrother	D2/876
D. 285,021	8/1986	Chandler	D29/109
D. 343,273	1/1994	Henry et al.	D2/879

D. 367,753	3/1996	Burge	D2/876
D. 399,641	10/1998	Meador	D14/140 X
593,077	11/1897	Bevan	2/12
1,213,447	1/1917	Bacon	2/12
1,484,042	2/1924	Smilie	2/12
1,665,750	4/1928	McKee et al.	2/12
2,092,805	9/1937	Jones	2/12

Primary Examiner—Paula A. Mortimer
Attorney, Agent, or Firm—Levine & Mandelbaum

[57] **CLAIM**

I claim the ornamental design for a visor, as shown.

DESCRIPTION

FIG. 1 is a perspective view from the top, front, and right side of a visor showing my new design;
FIG. 2 is a left side view thereof;
FIG. 3 is a top view thereof;
FIG. 4 is a front elevational view thereof;
FIG. 5 is a bottom view thereof; and,
FIG. 6 is a rear elevational view thereof.
The broken line showing of the human form in FIG. 1 is for illustrative purposes only and forms no part of the claimed design.

1 Claim, 3 Drawing Sheets



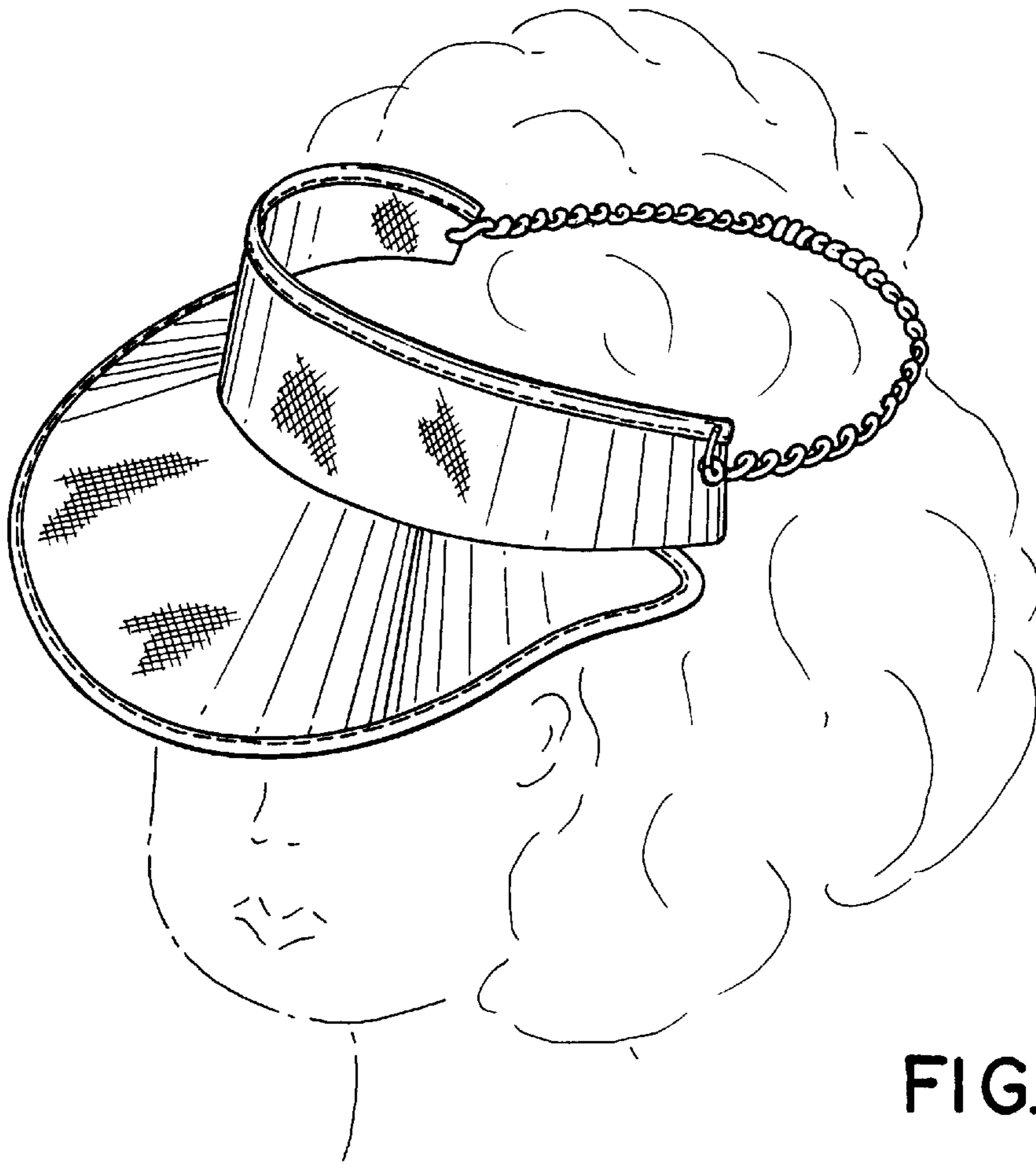


FIG. 1

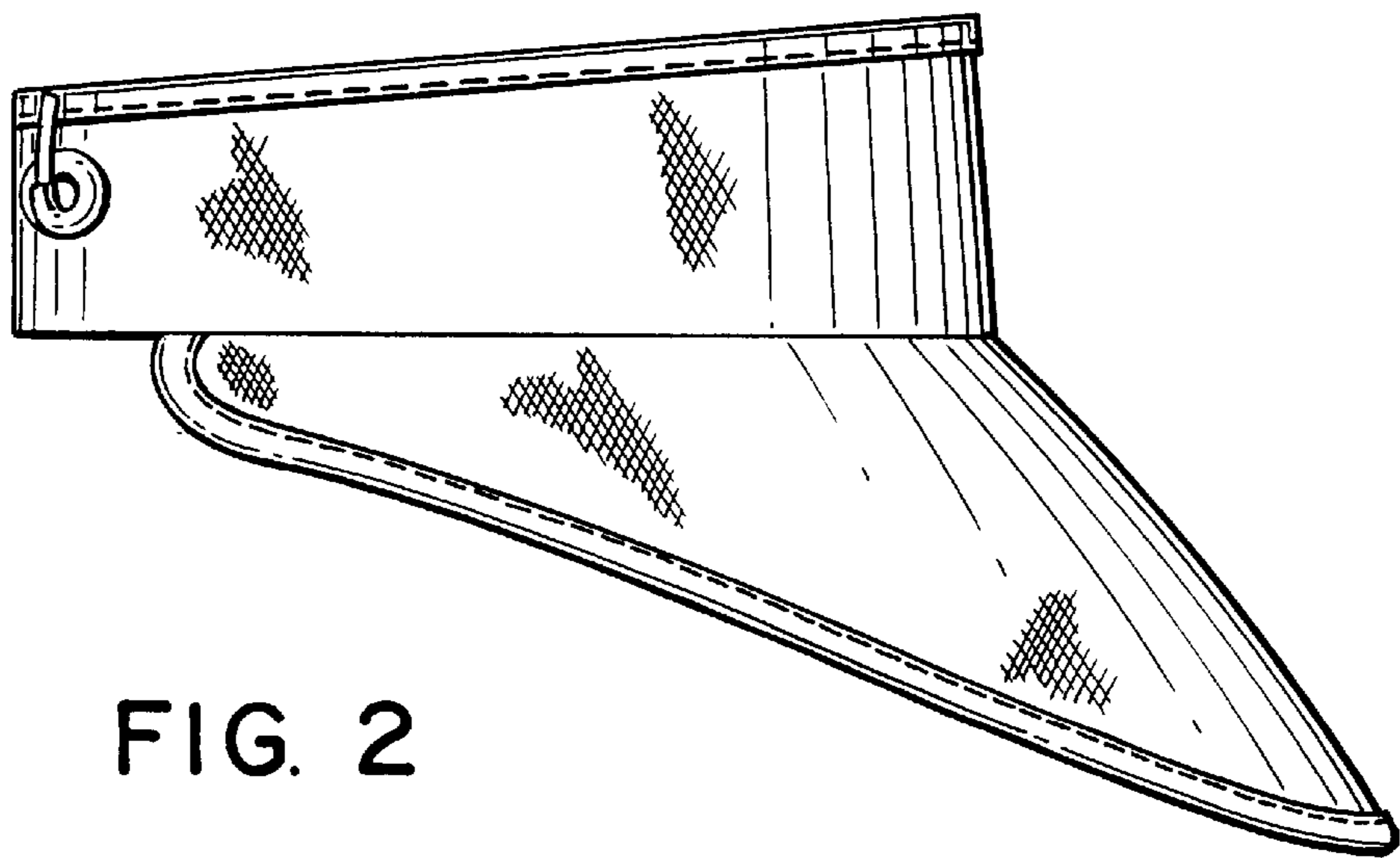


FIG. 2

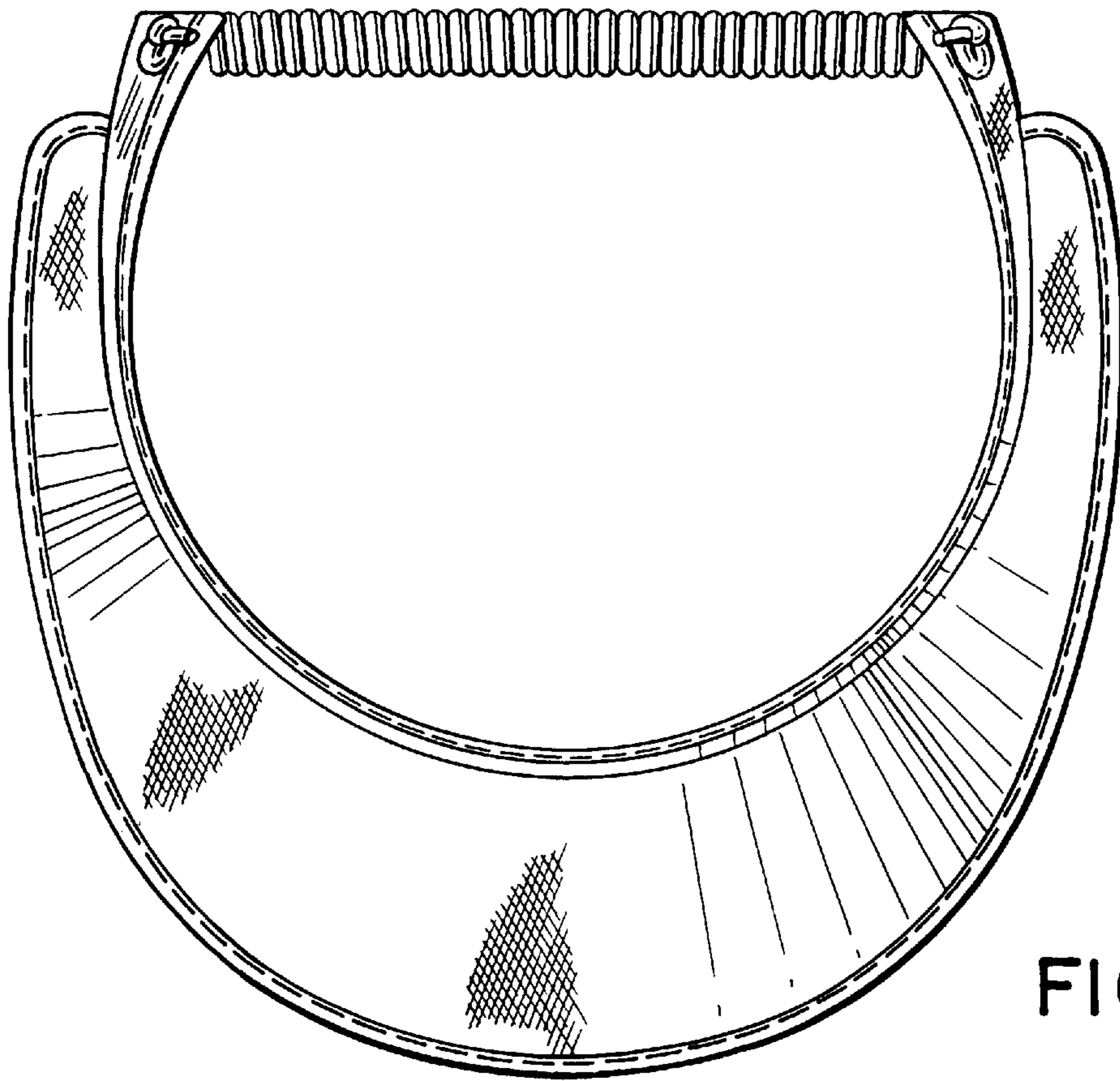


FIG. 3

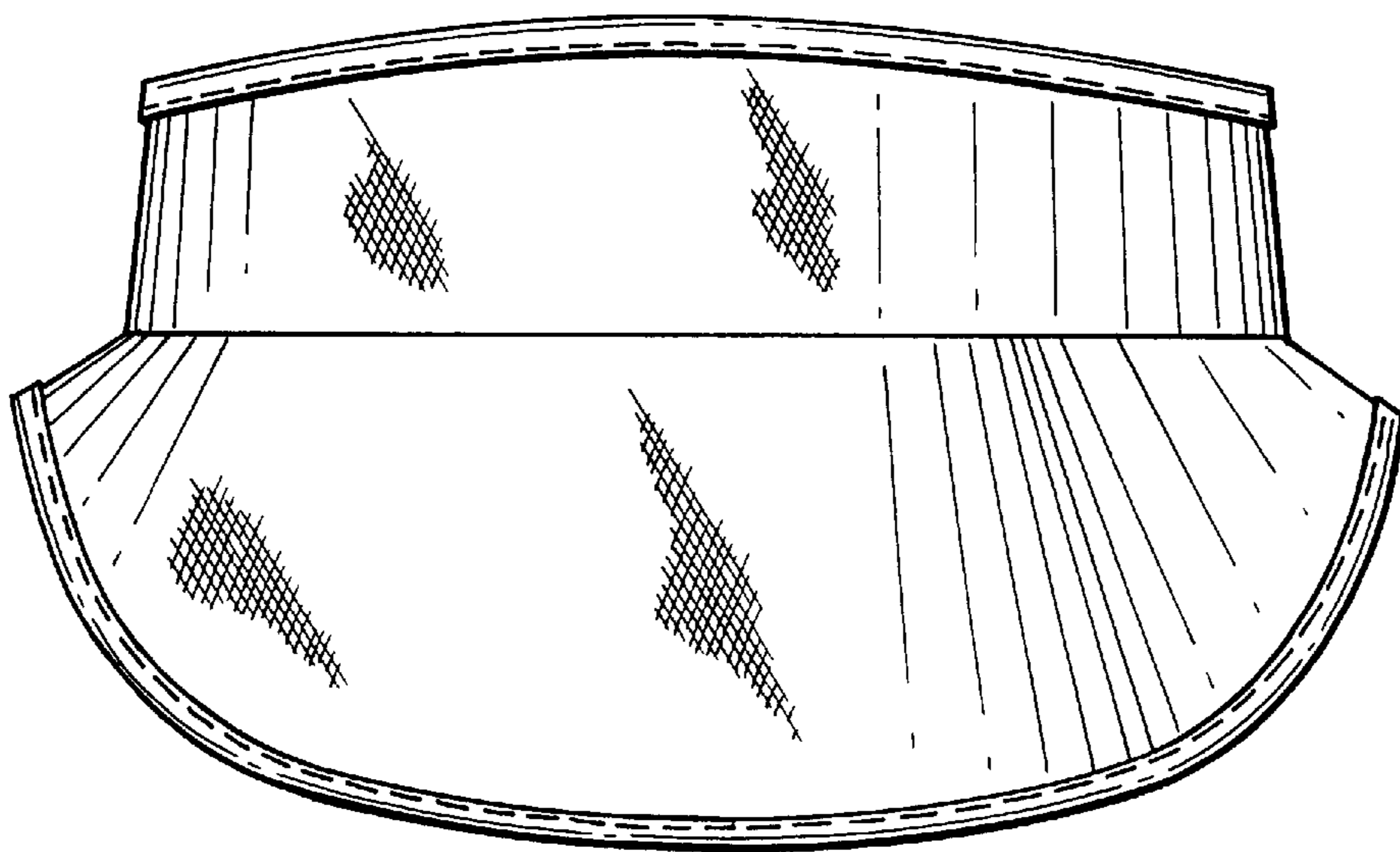


FIG. 4

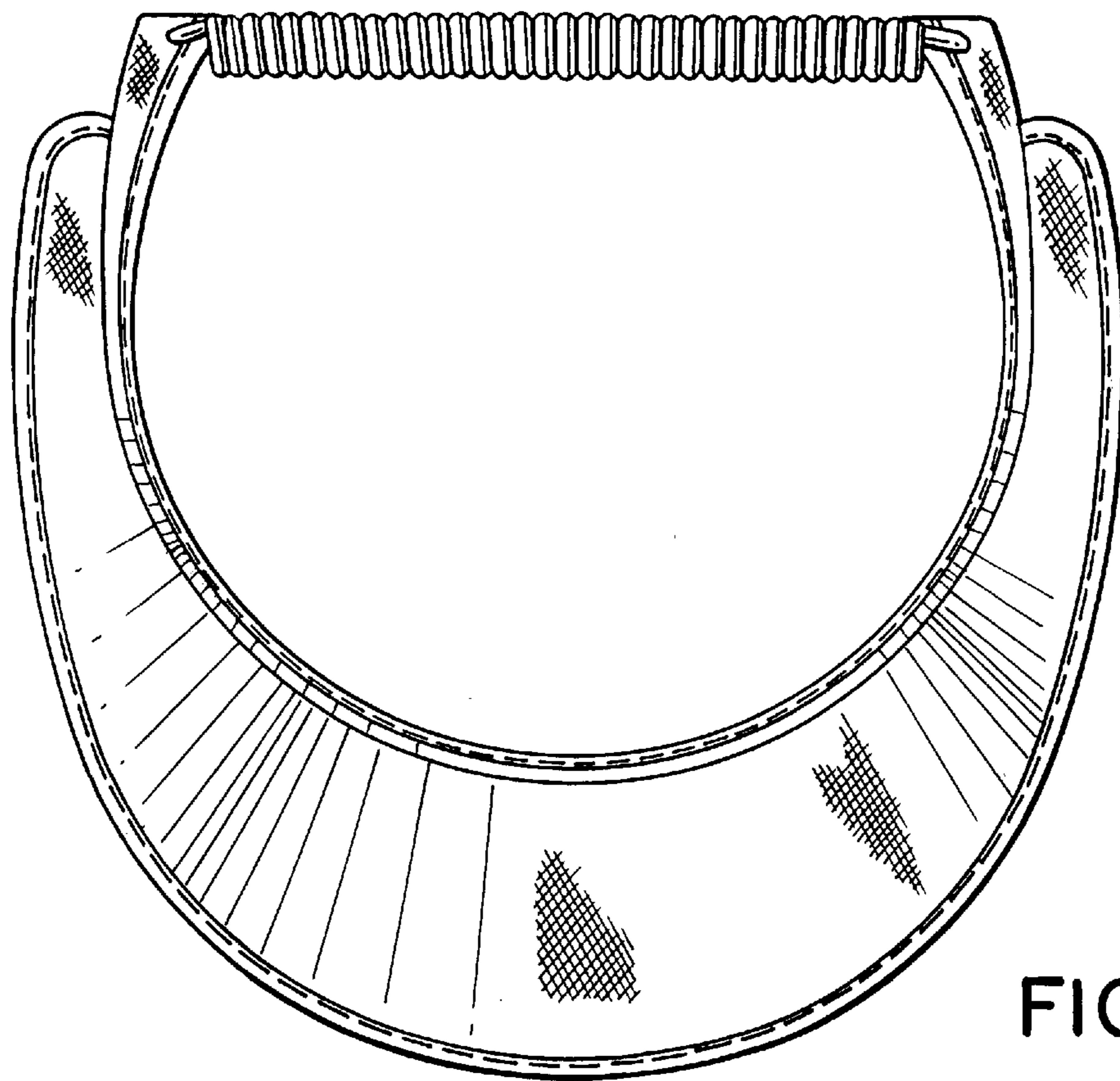


FIG. 5

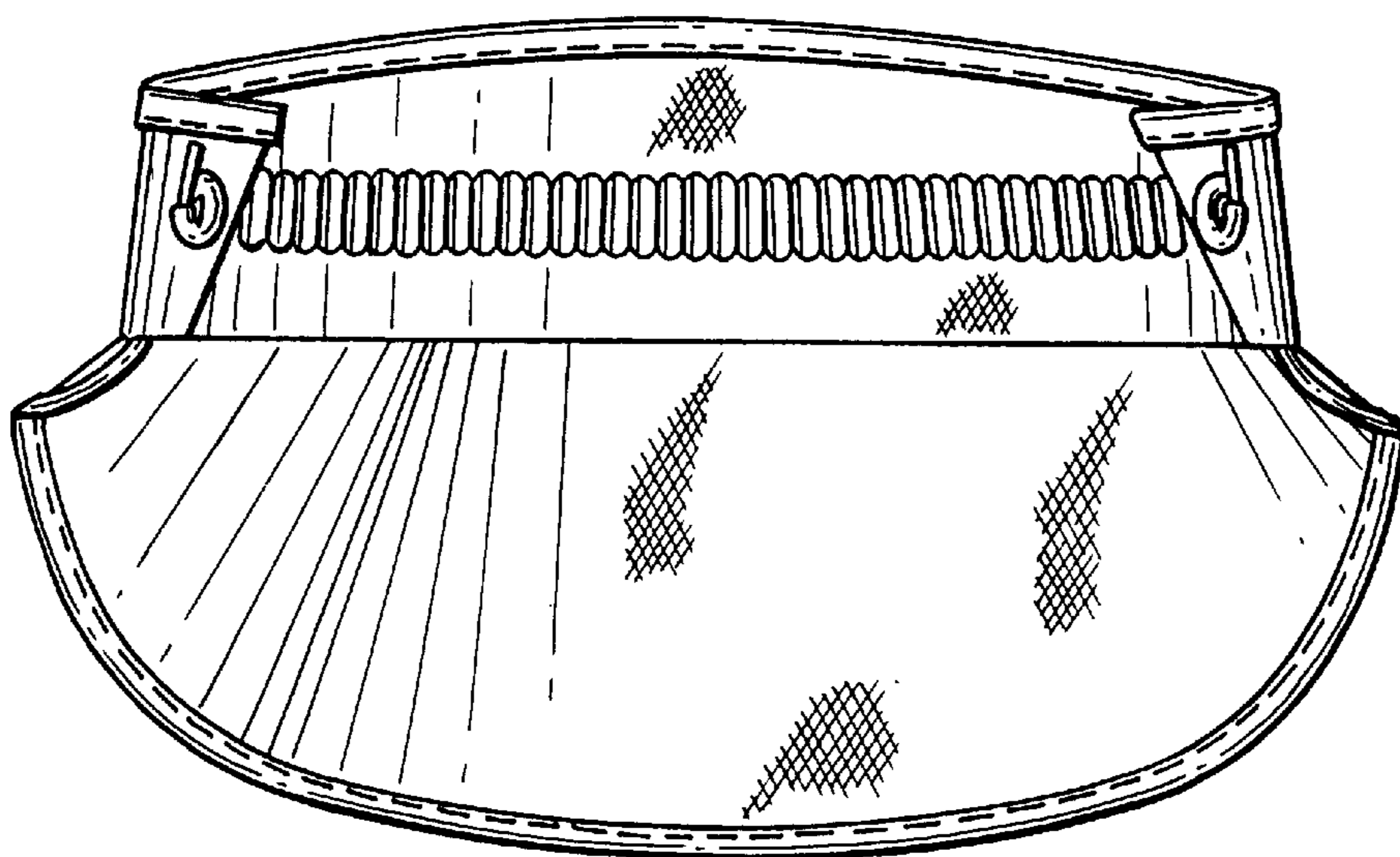


FIG. 6