



US00D412773S

United States Patent [19]
Zak et al.

[11] **Patent Number: Des. 412,773**

[45] **Date of Patent: ** Aug. 17, 1999**

[54] **FISH TAIL SHAPED VISOR**

[76] Inventors: **Roger Zak; Rhonda Zak**, both of P.O. Box 871184, Wasilla, Ak. 99687

[**] Term: **14 Years**

[21] Appl. No.: **29/087,777**

[22] Filed: **May 8, 1998**

[51] **LOC (6) Cl.** **02-03**

[52] **U.S. Cl.** **D2/869; D2/893; D2/872**

[58] **Field of Search** D2/865, 868, 869, D2/871, 872, 873, 876, 879, 882, 886, 893; 2/171, 181, 195.1; D21/597, 599, 806, 808

[56] **References Cited**

U.S. PATENT DOCUMENTS

D. 12,894	4/1882	Norse	D2/872
D. 156,408	12/1949	Cohn	D2/872
D. 262,495	1/1982	Hatten	D2/872
D. 315,052	3/1991	Lockwood et al.	D2/872
D. 366,558	1/1996	Galpor et al.	D2/872
D. 374,331	10/1996	Duggan	D2/872

D. 387,888	12/1997	Farbman	D2/869
D. 393,740	4/1998	Stevens	D2/893
5,457,821	10/1995	Kiefer	D2/872

Primary Examiner—Paula A. Mortimer
Attorney, Agent, or Firm—Michael Tavella

[57] **CLAIM**

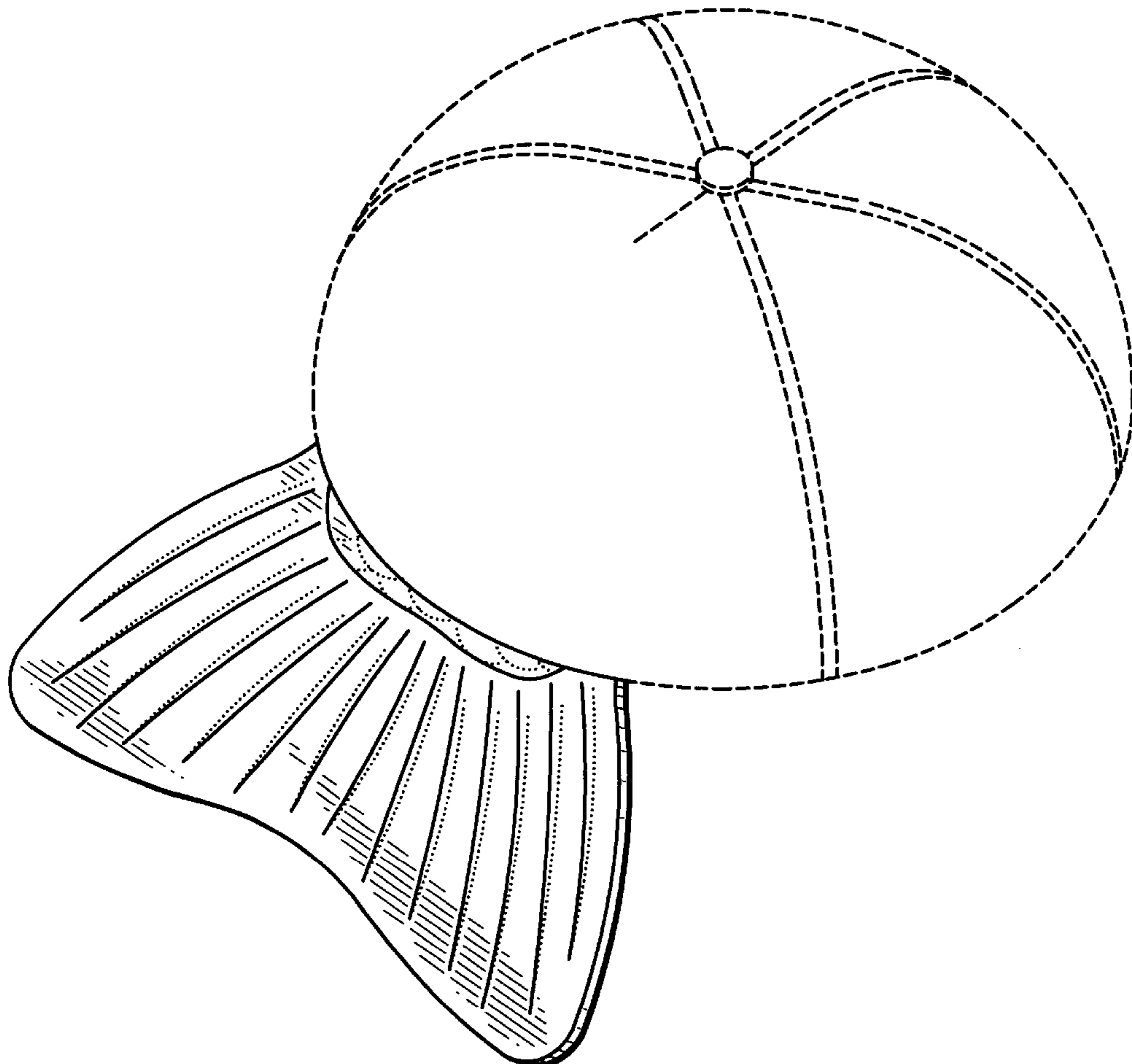
The ornamental design for a fish tail shaped visor, as shown and described.

DESCRIPTION

FIG. 1 is a front perspective view of a fish tail shaped visor showing my new design;
FIG. 2 is a front elevation view thereof;
FIG. 3 is a rear elevation view thereof;
FIG. 4 is a top plan view thereof;
FIG. 5 is a right side elevation view thereof;
FIG. 6 is a bottom plan view thereof; and,
FIG. 7 is a left side elevation view thereof.

The dashed lines showing a hat crown in all views are for illustrative purposes only and form no part of the claimed design.

1 Claim, 4 Drawing Sheets



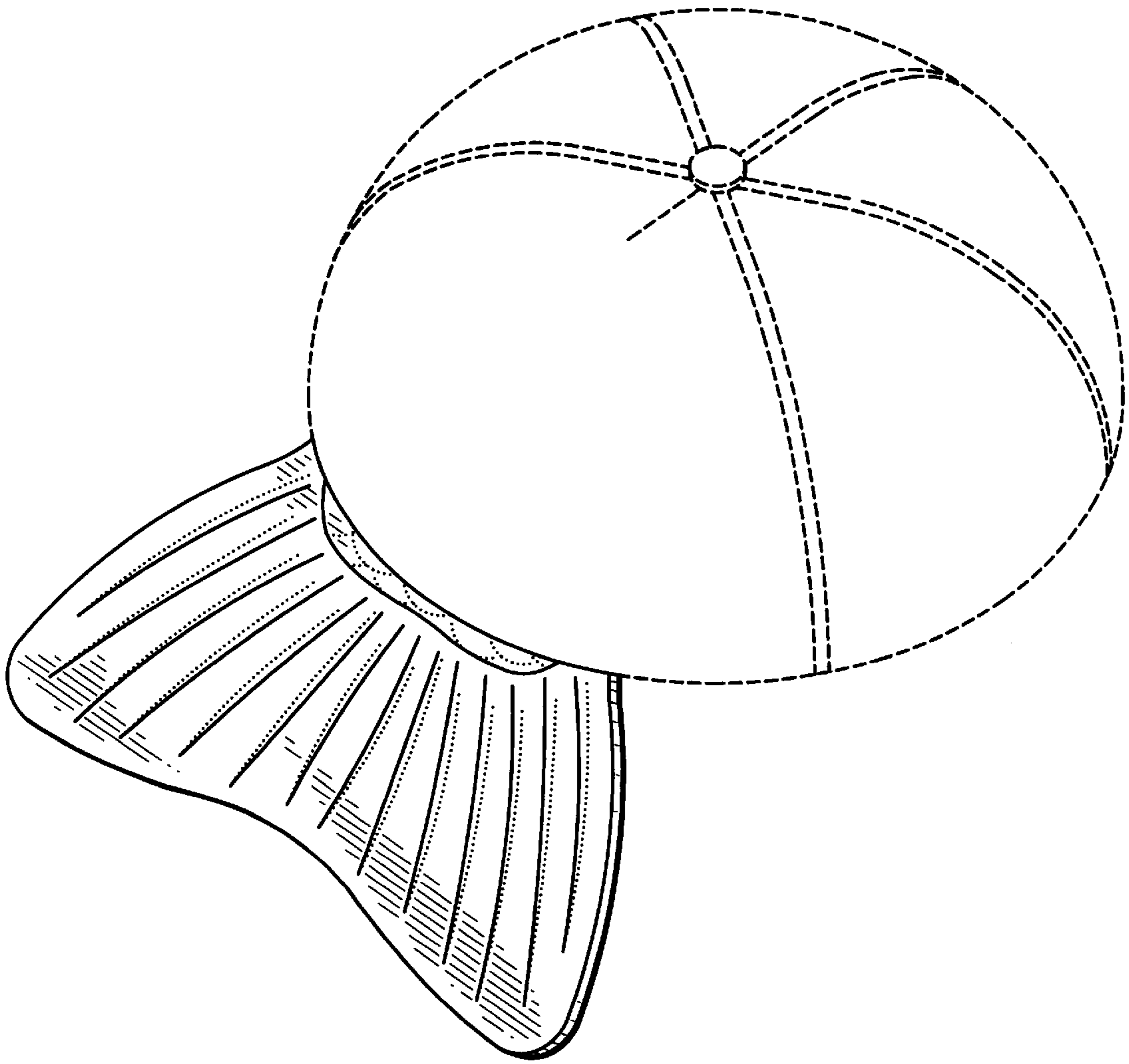


Fig. 1

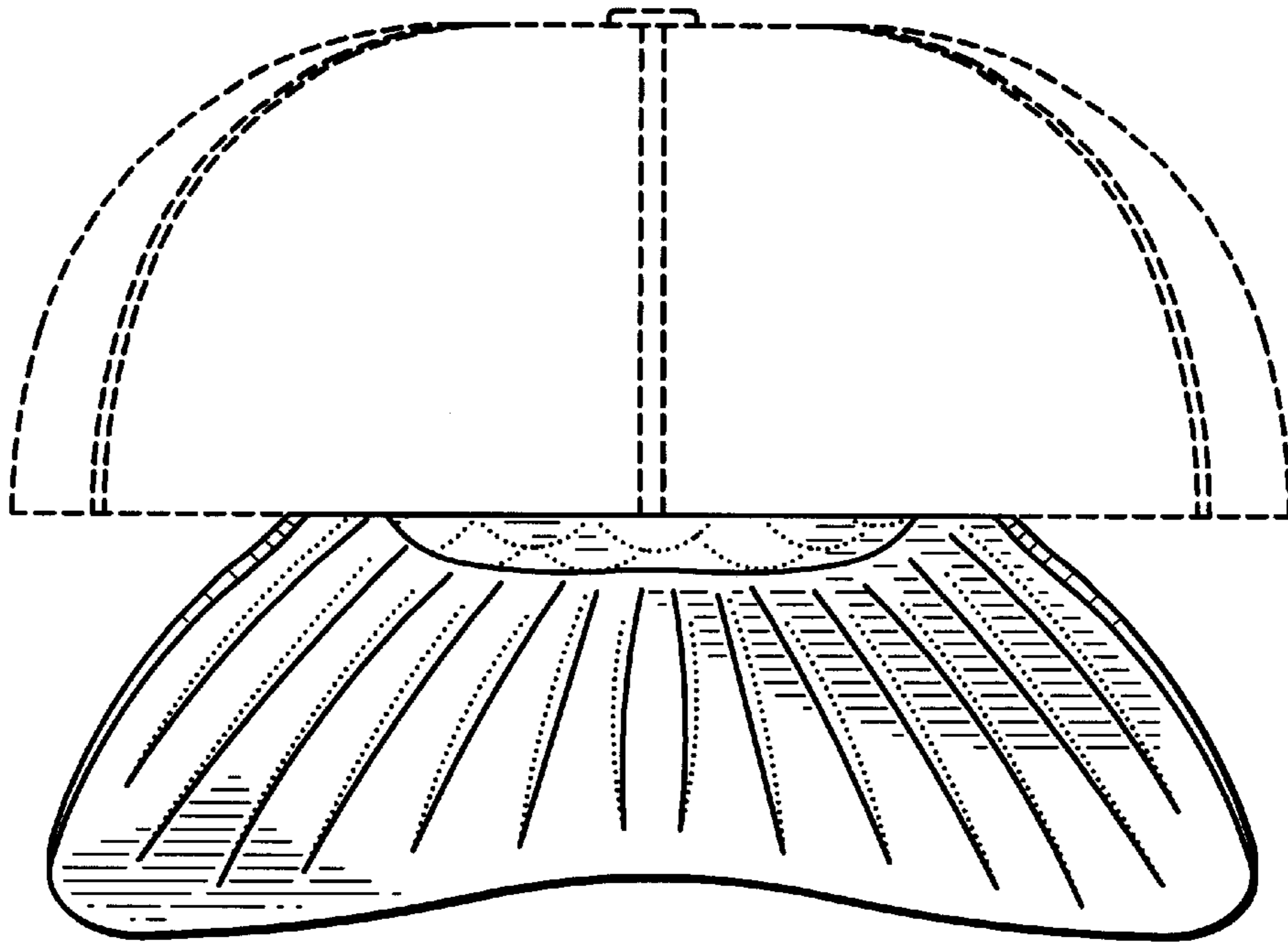


Fig. 2

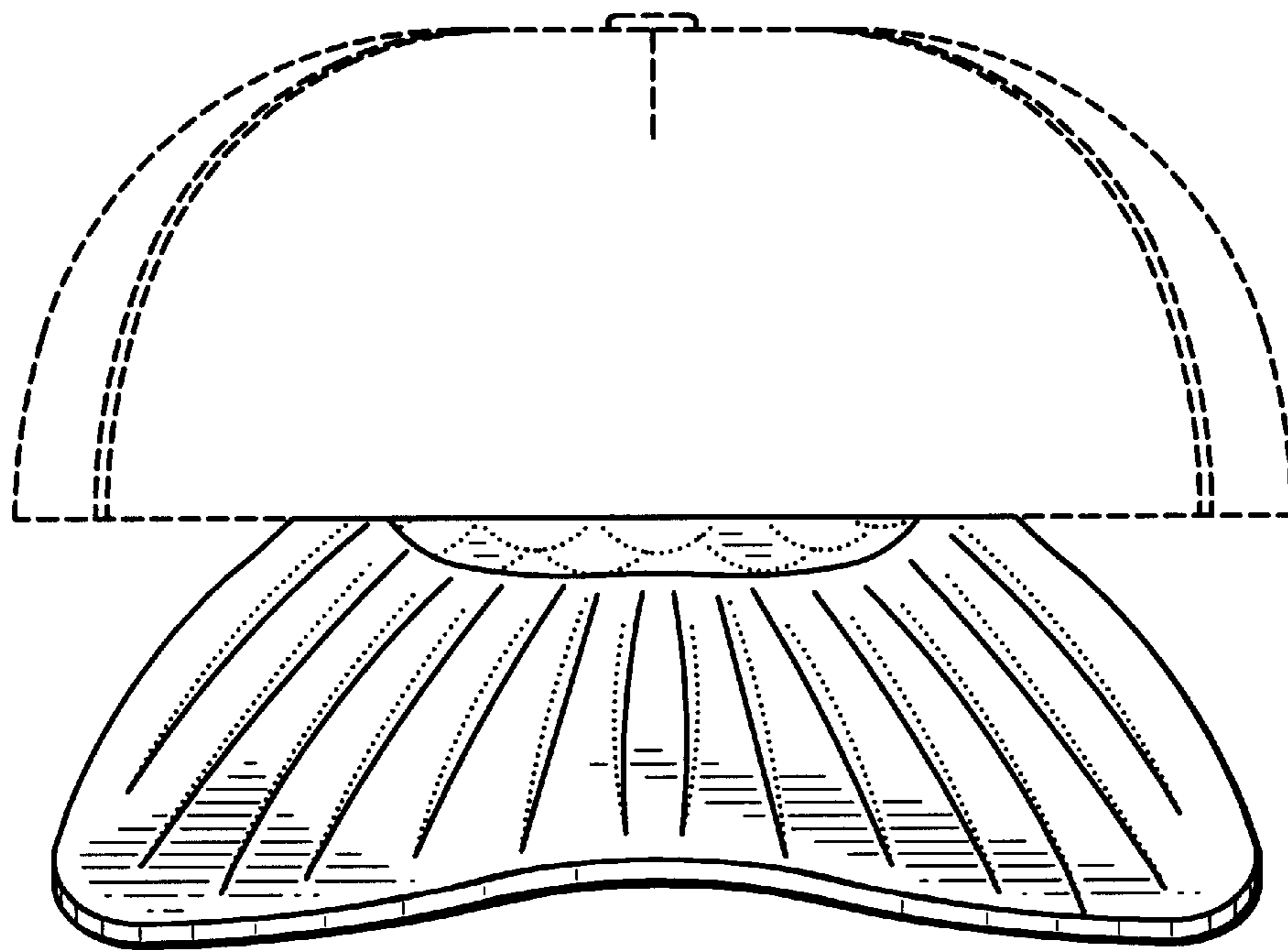


Fig. 3

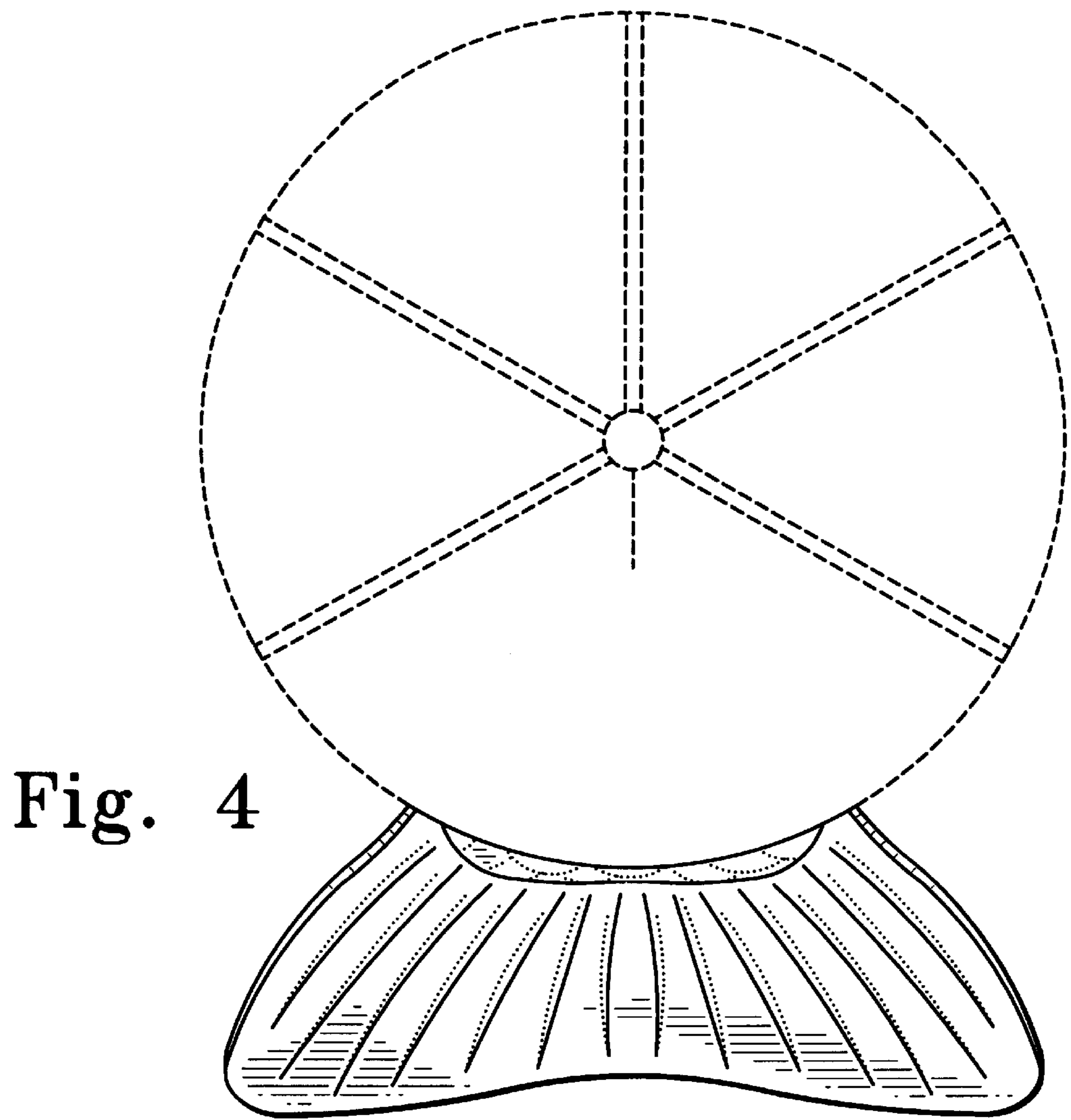


Fig. 4

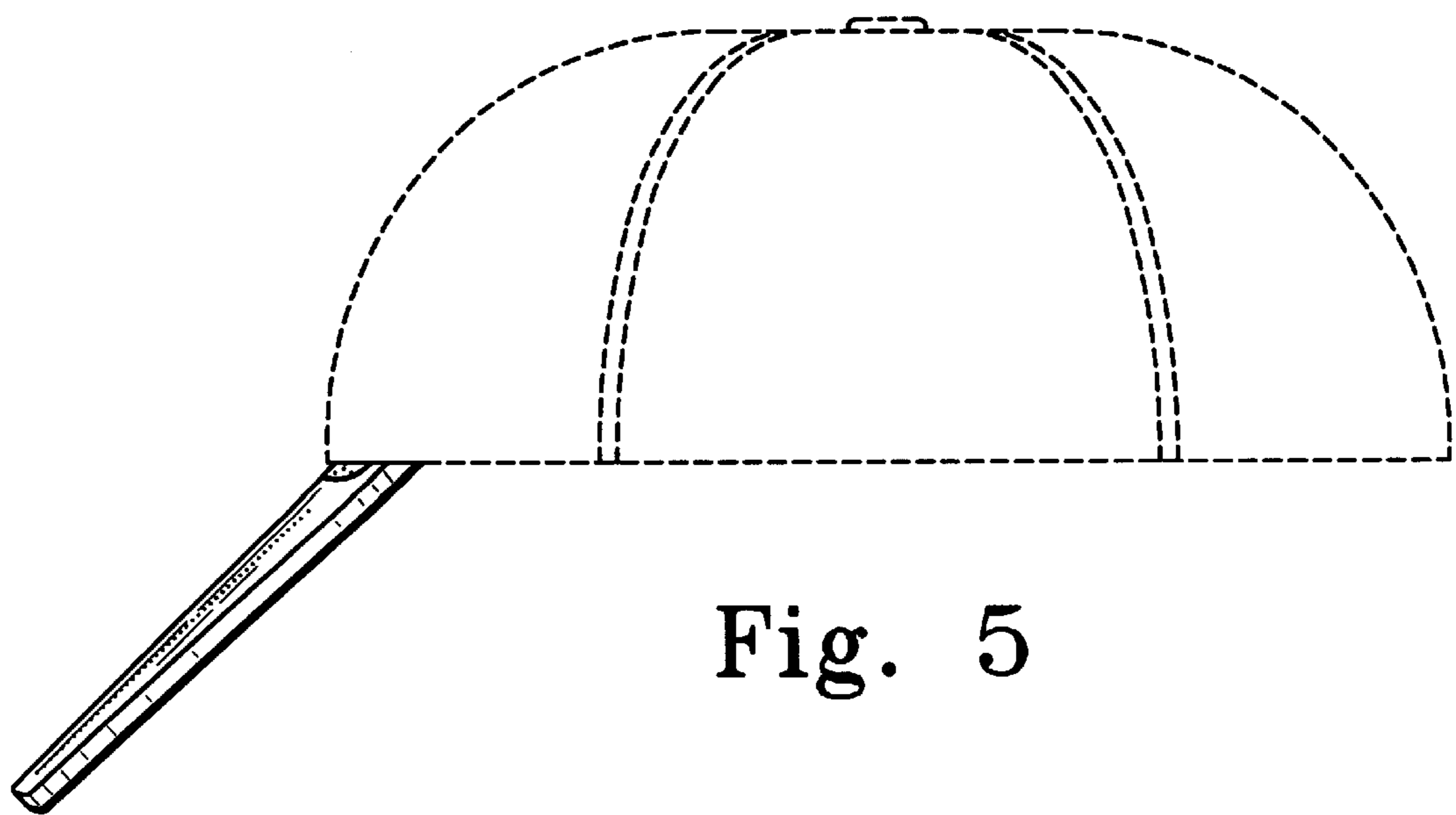


Fig. 5

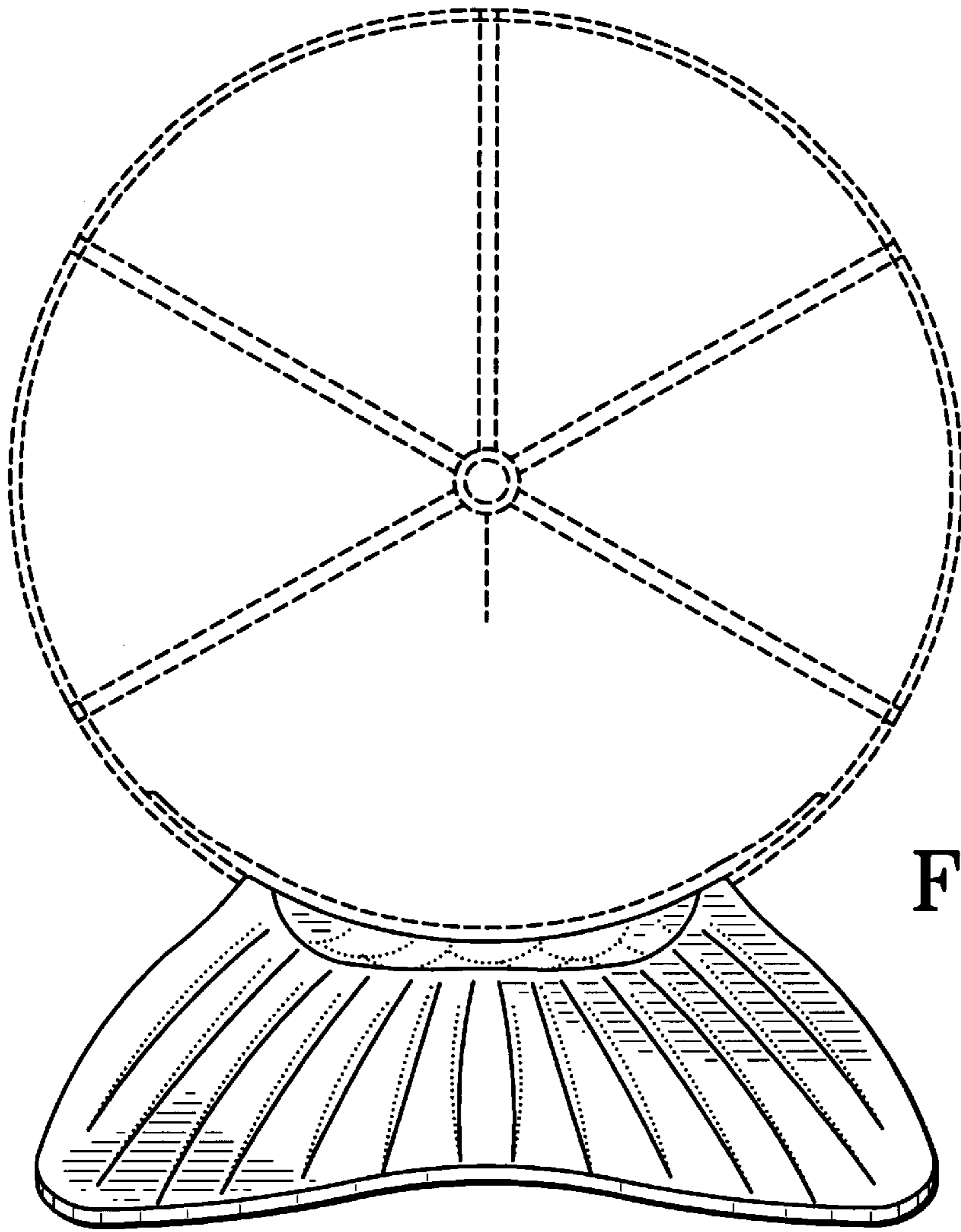


Fig. 6

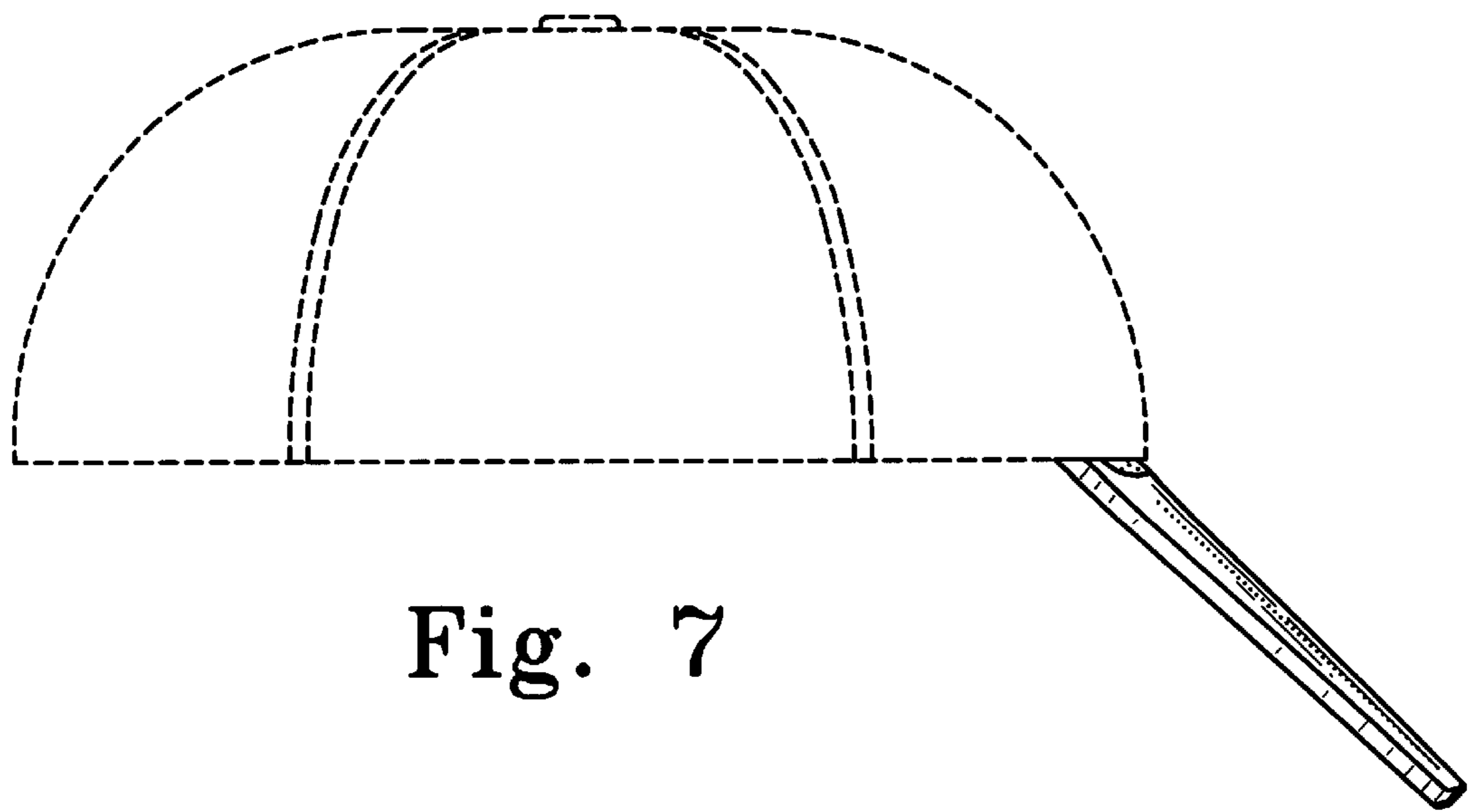


Fig. 7