



US00D412763S

United States Patent [19]
Zhuo

[11] **Patent Number: Des. 412,763**

[45] **Date of Patent: ** Aug. 10, 1999**

[54] **LIGHTER**

[75] Inventor: **Qui Xin Zhuo**, Guangdong Province, China
[73] Assignee: **PolyCity Industrial Ltd.**, Quarry Bay, The Hong Kong Special Administrative Region of the People's Republic of China
[**] Term: **14 Years**
[21] Appl. No.: **29/086,800**
[22] Filed: **Apr. 20, 1998**
[51] **LOC (6) Cl.** **27-05**
[52] **U.S. Cl.** **D27/141; D27/158**
[58] **Field of Search** 431/267, 273, 431/274, 277, 143, 142, 254-256; D27/139-160

[56] **References Cited**

U.S. PATENT DOCUMENTS

D. 229,217	11/1973	Masuyama	D27/156
D. 365,889	1/1996	Kim	D27/147
3,814,572	6/1974	Nitta	431/143
3,938,943	2/1976	Malamoud	431/150

Primary Examiner—Susan J. Lucas
Assistant Examiner—Jennifer Rivard
Attorney, Agent, or Firm—Irah H. Donner; Pepper Hamilton LLP

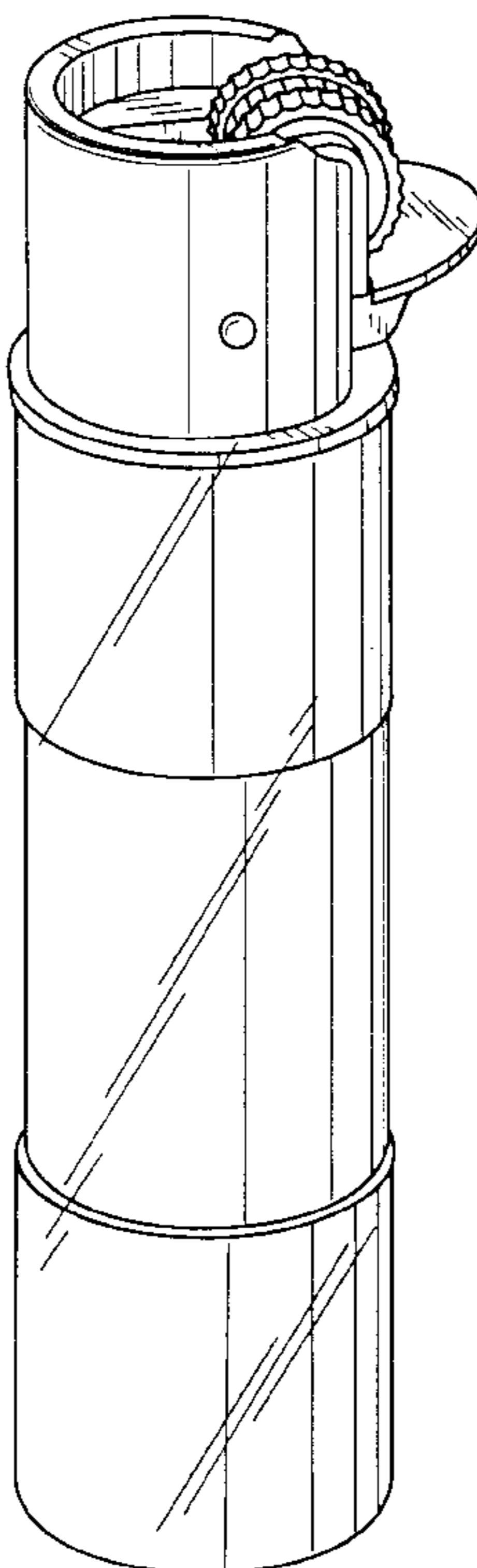
[57] **CLAIM**

The ornamental design for a lighter, as shown and described.

DESCRIPTION

FIG. 1 is a top, front and right side perspective view of a lighter, showing my new design;
FIG. 2 is a front view thereof;
FIG. 3 is a rear view thereof;
FIG. 4 is a right side view thereof;
FIG. 5 is a top plan view thereof;
FIG. 6 is a bottom plan view thereof;
FIG. 7 is a top, front and right side perspective view of a second embodiment of the present invention;
FIG. 8 is a front view thereof;
FIG. 9 is a rear view thereof;
FIG. 10 is a right side view thereof;
FIG. 11 is a top plan view thereof;
FIG. 12 is a bottom plan view thereof;
FIG. 13 is a top, front and right side perspective view of a third embodiment of the present invention;
FIG. 14 is a front view thereof;
FIG. 15 is a rear view thereof;
FIG. 16 is a right side view thereof;
FIG. 17 is a top plan view thereof;
FIG. 18 is a bottom plan view thereof;
FIG. 19 is a top, front and right side perspective view of a fourth embodiment of the present invention;
FIG. 20 is a front view thereof;
FIG. 21 is a rear view thereof;
FIG. 22 is a right side view thereof;
FIG. 23 is a top plan view thereof; and,
FIG. 24 is a bottom plan view thereof.
The broken lines which define the bounds of the claimed design in the second embodiment form no part thereof. The broken lines in third and fourth embodiment are shown for illustrative purposes only and form no part of the claimed design.

1 Claim, 12 Drawing Sheets



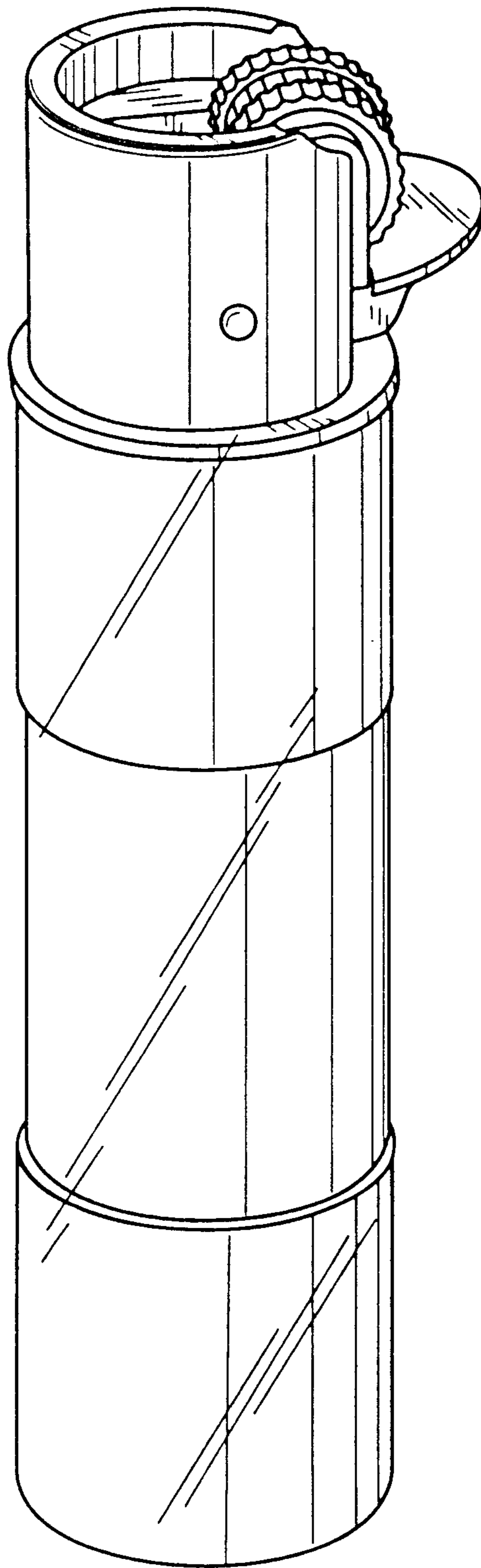


FIG. 1

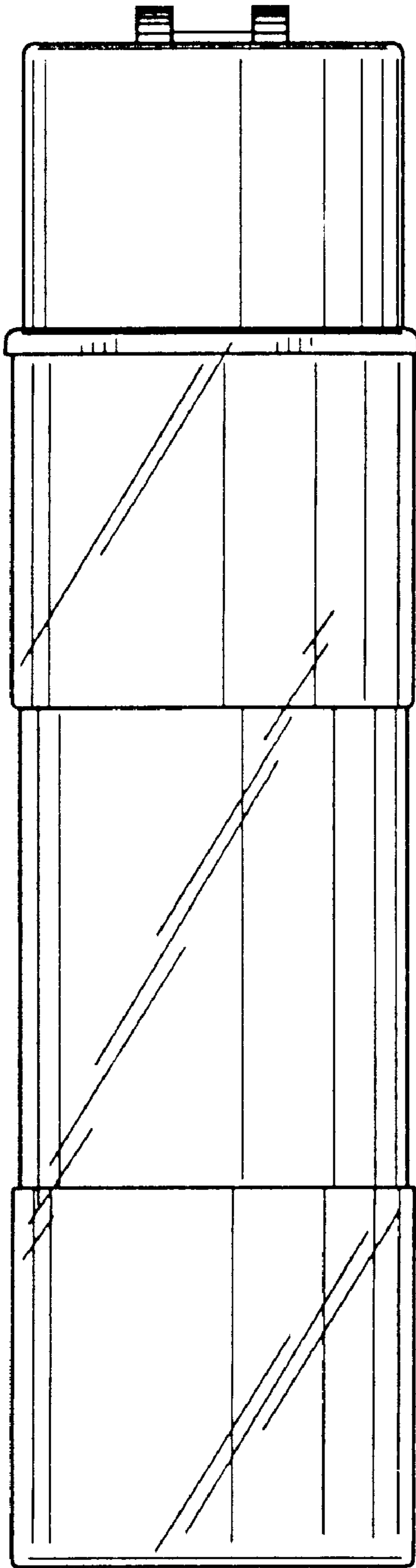


FIG. 2

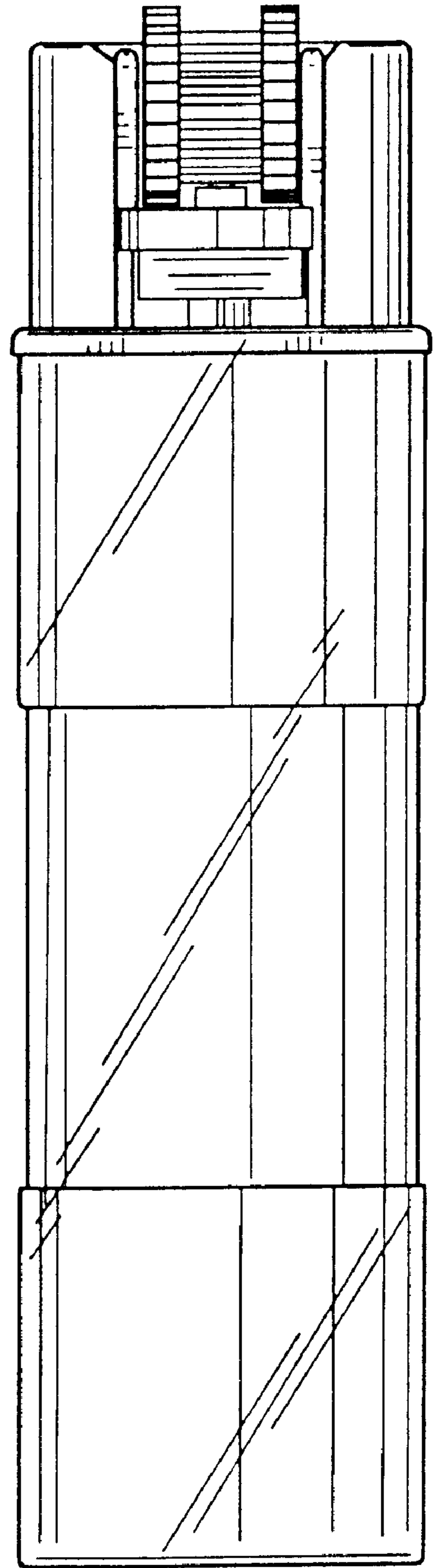


FIG. 3

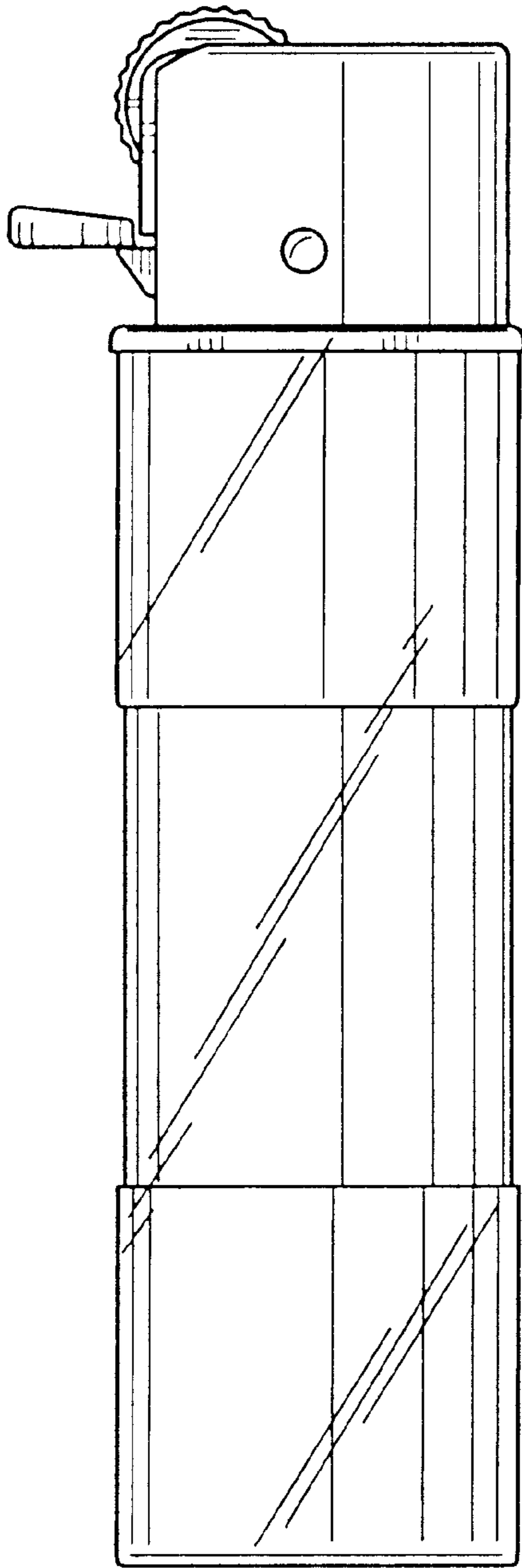


FIG. 4

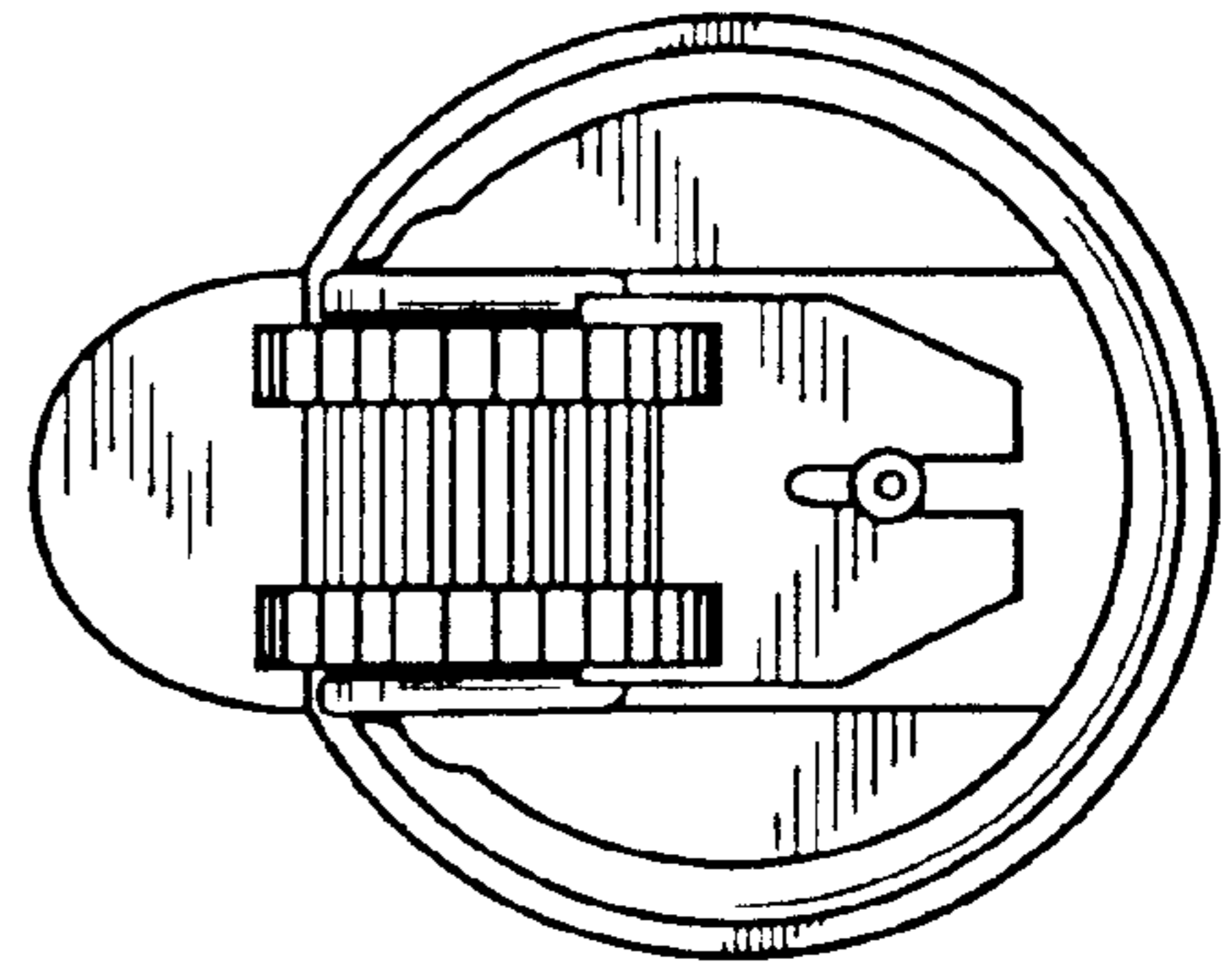


FIG. 5

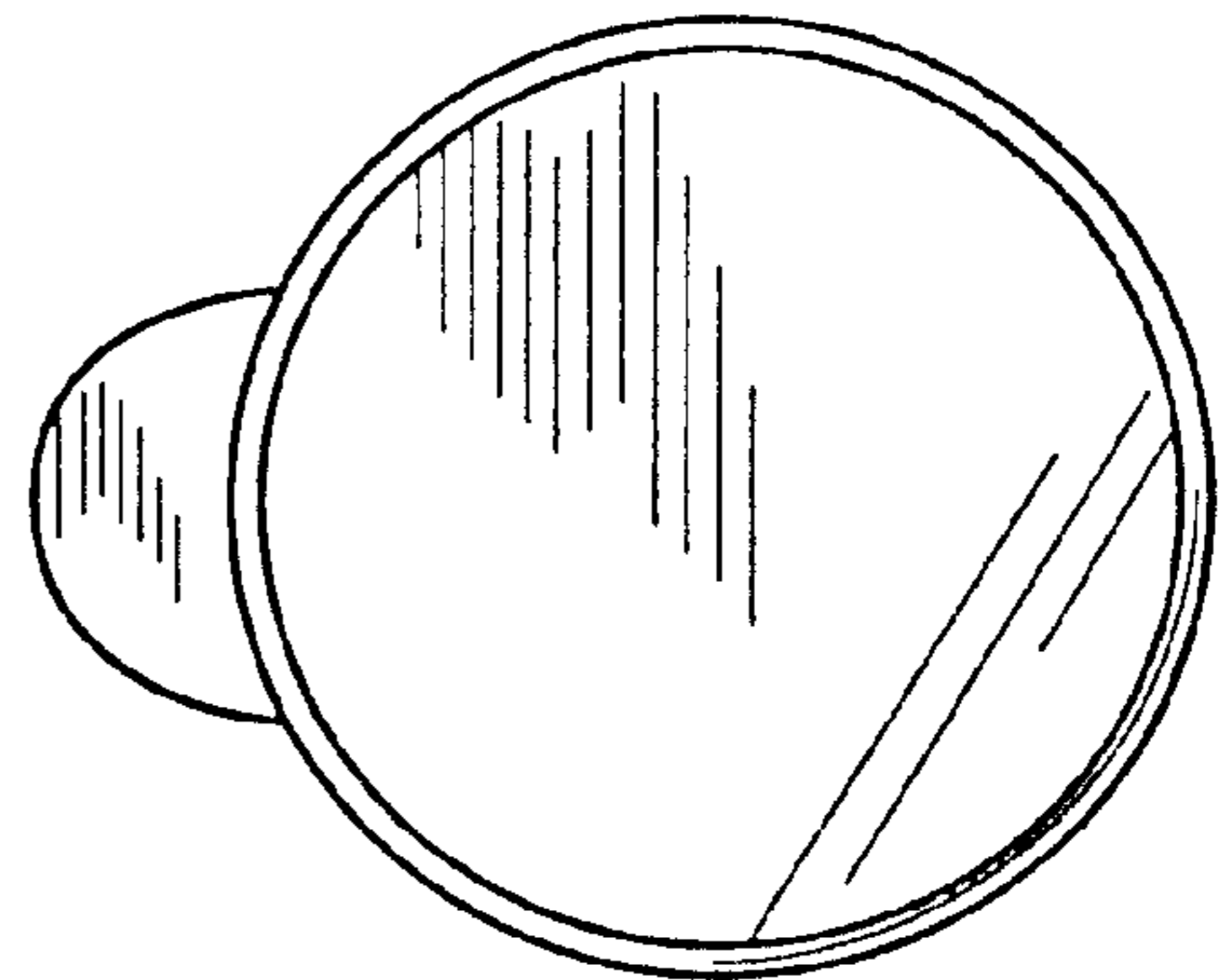


FIG. 6

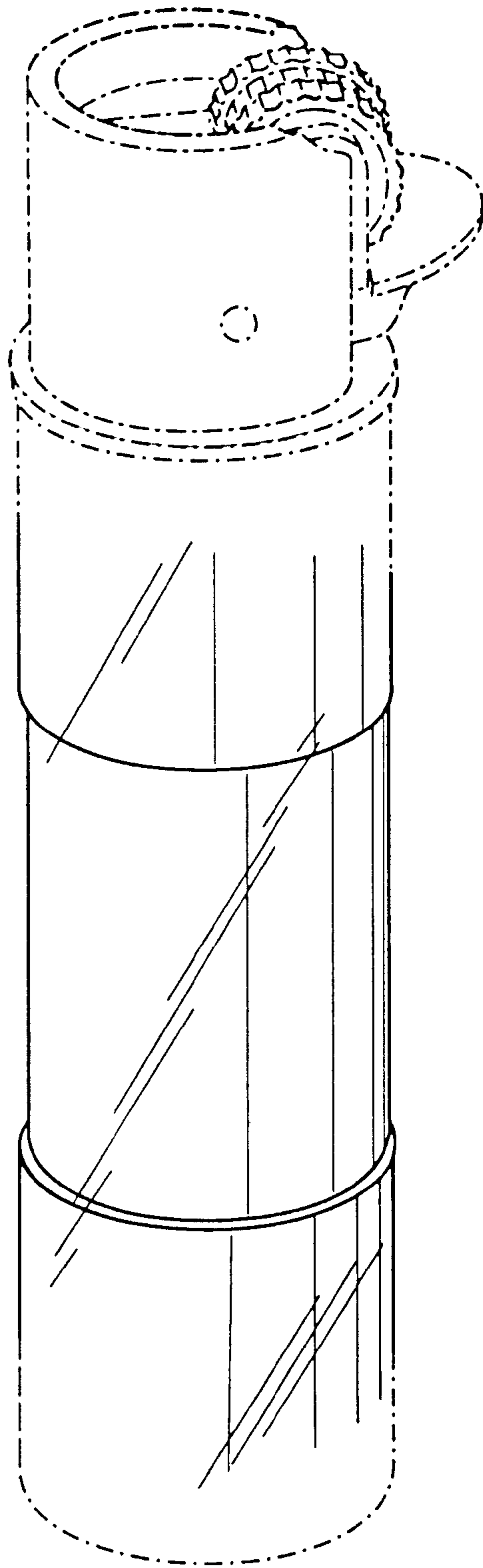


FIG. 7

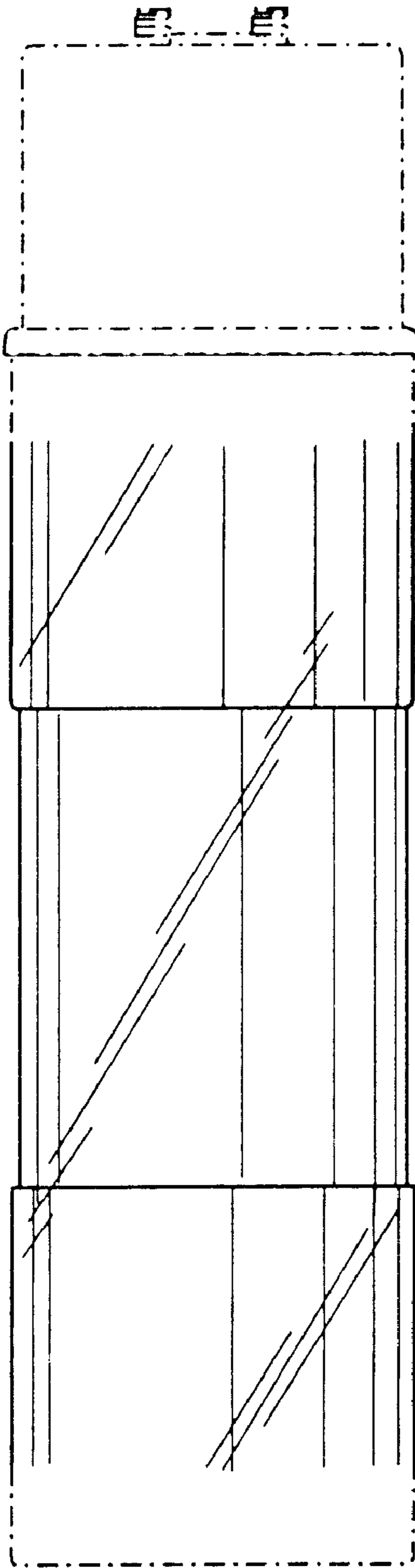


FIG. 8

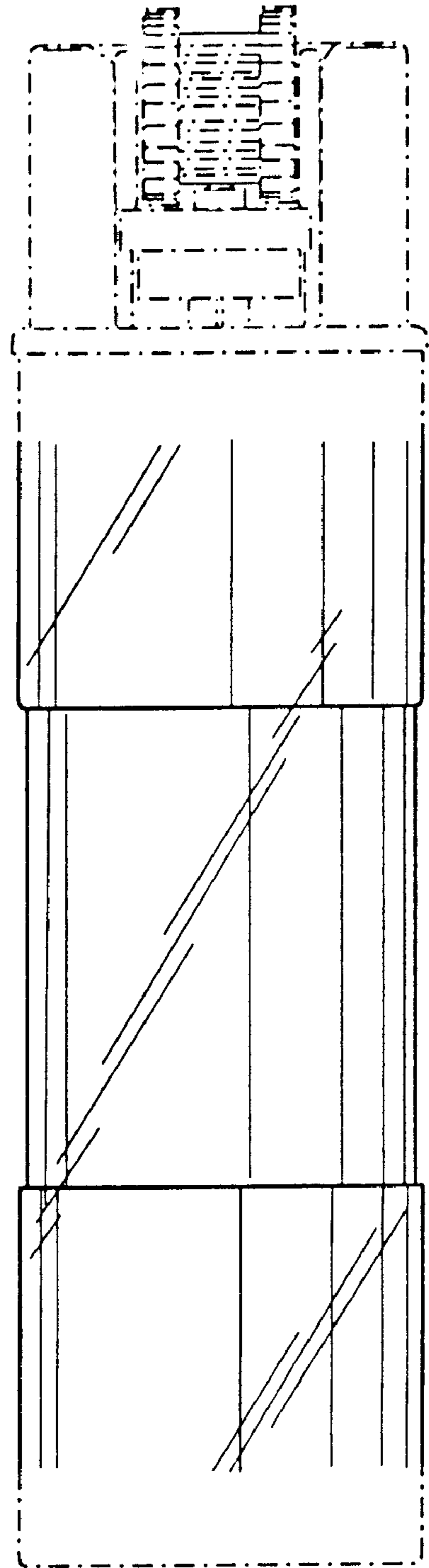


FIG. 9

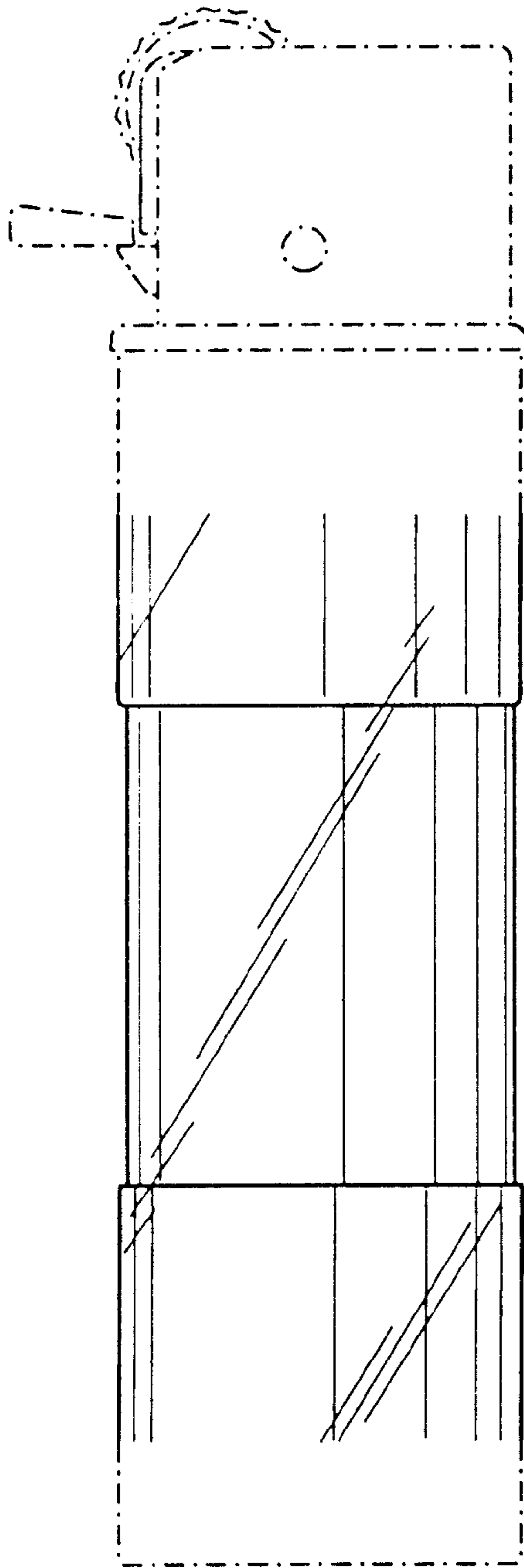


FIG. 10

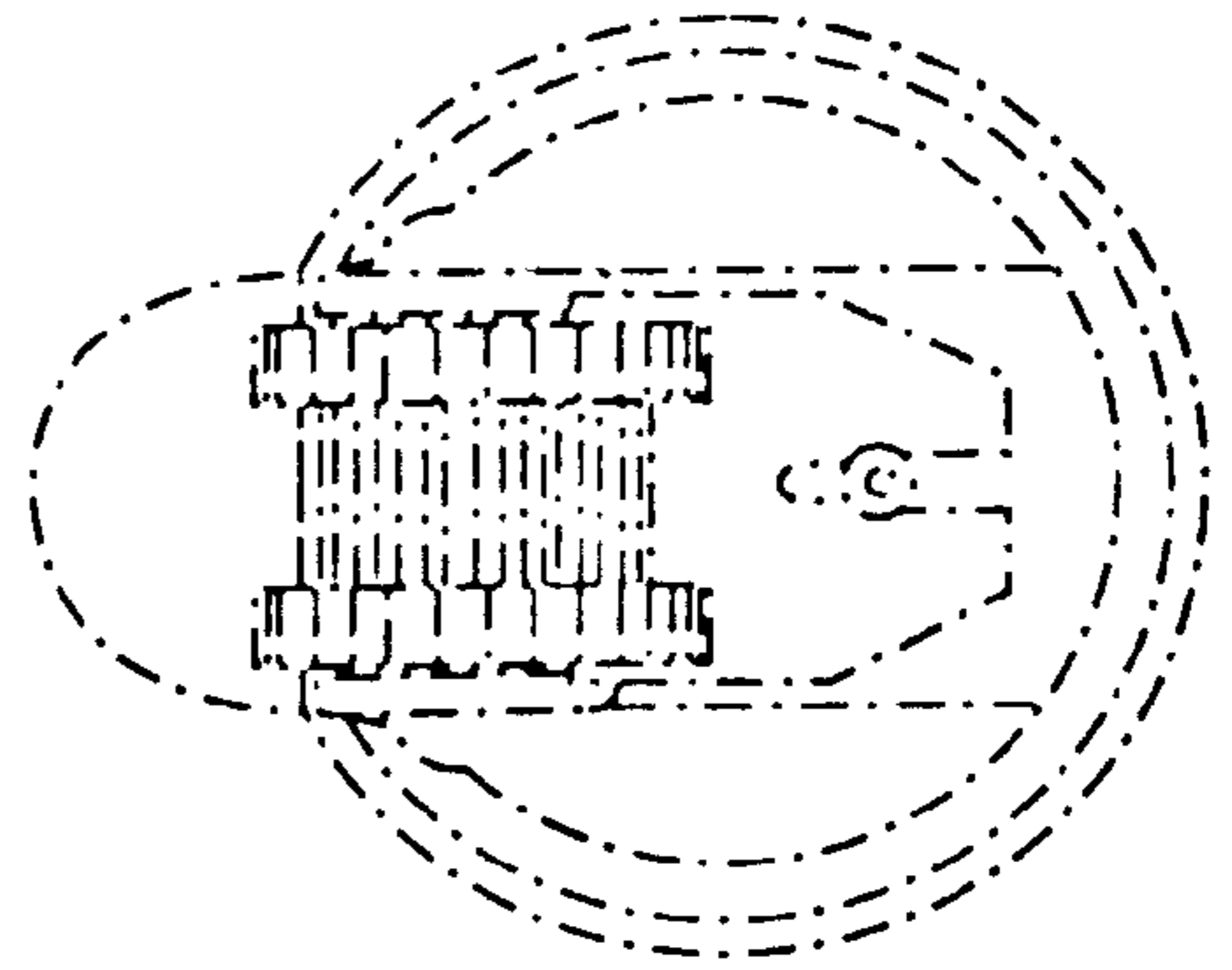


FIG. 11

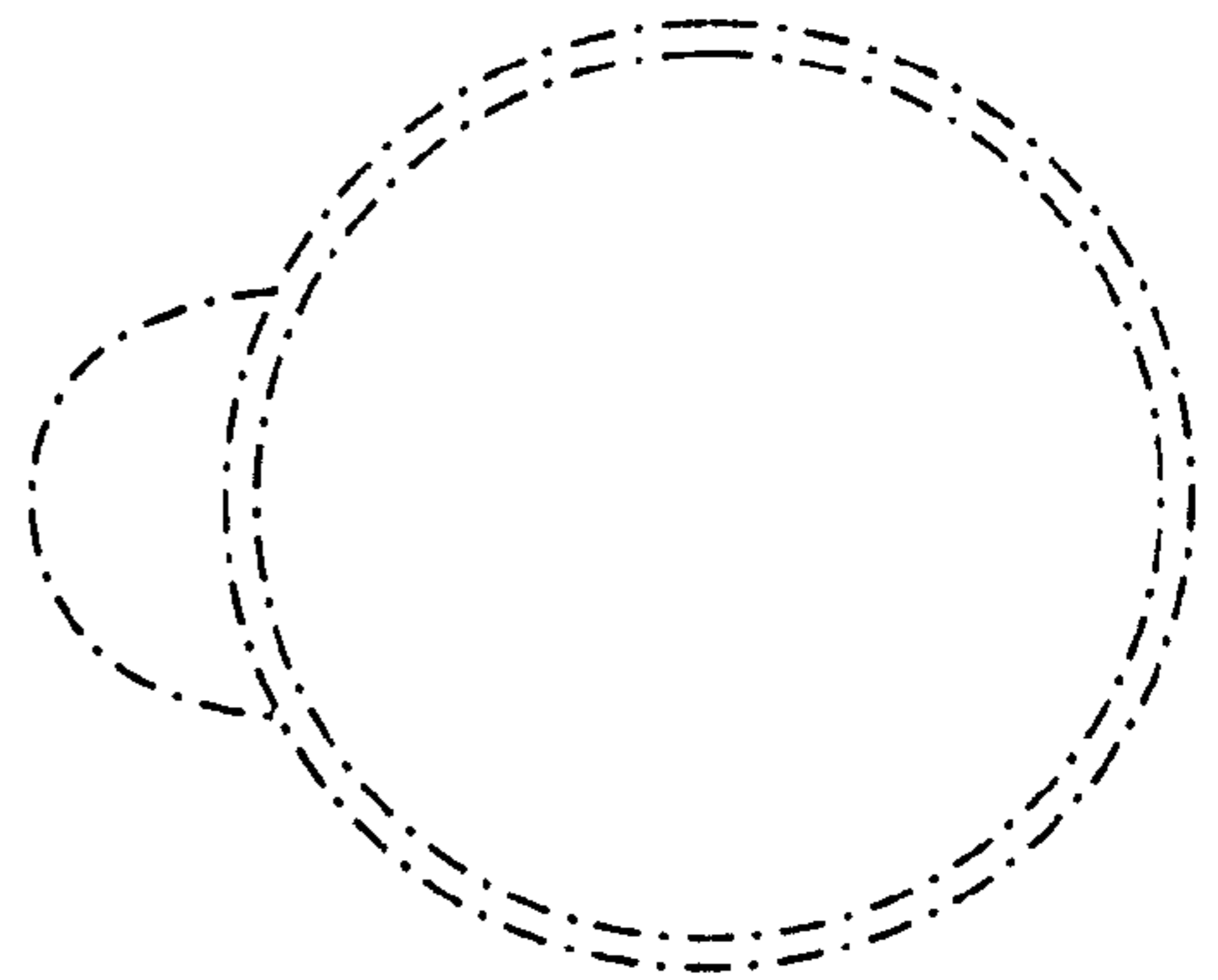


FIG. 12

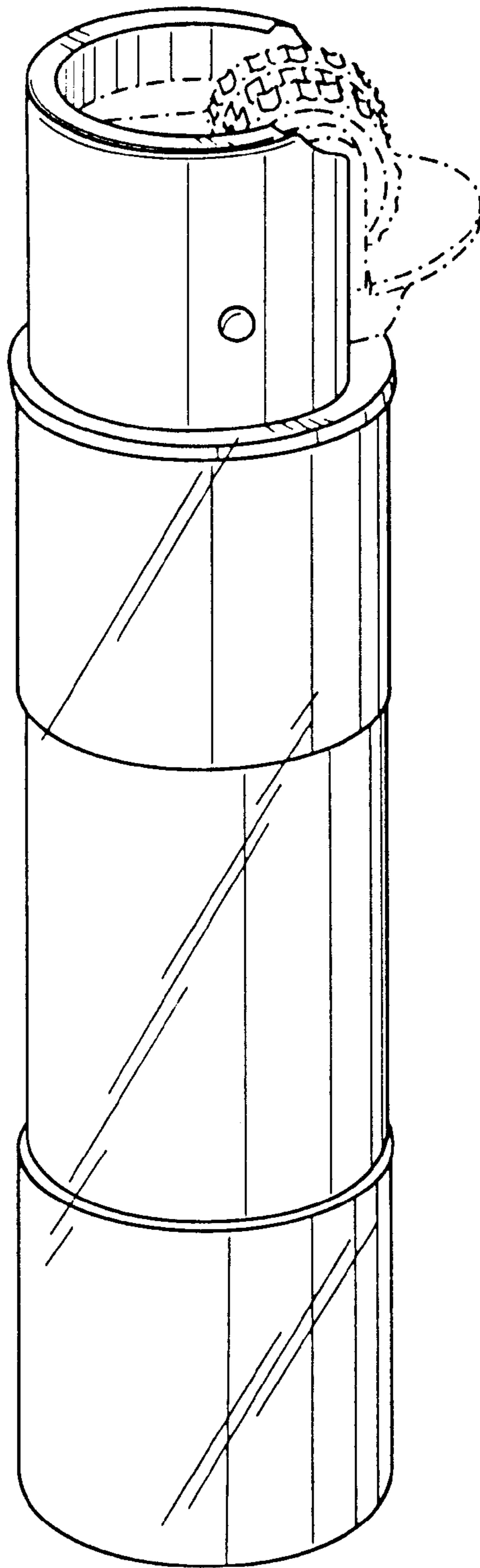


FIG. 13

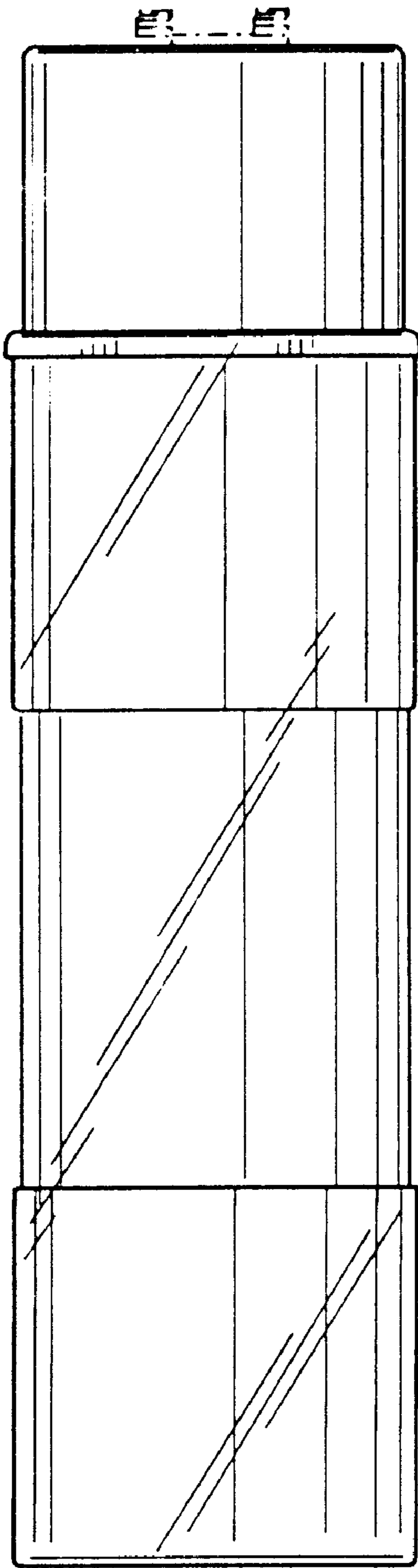


FIG. 14

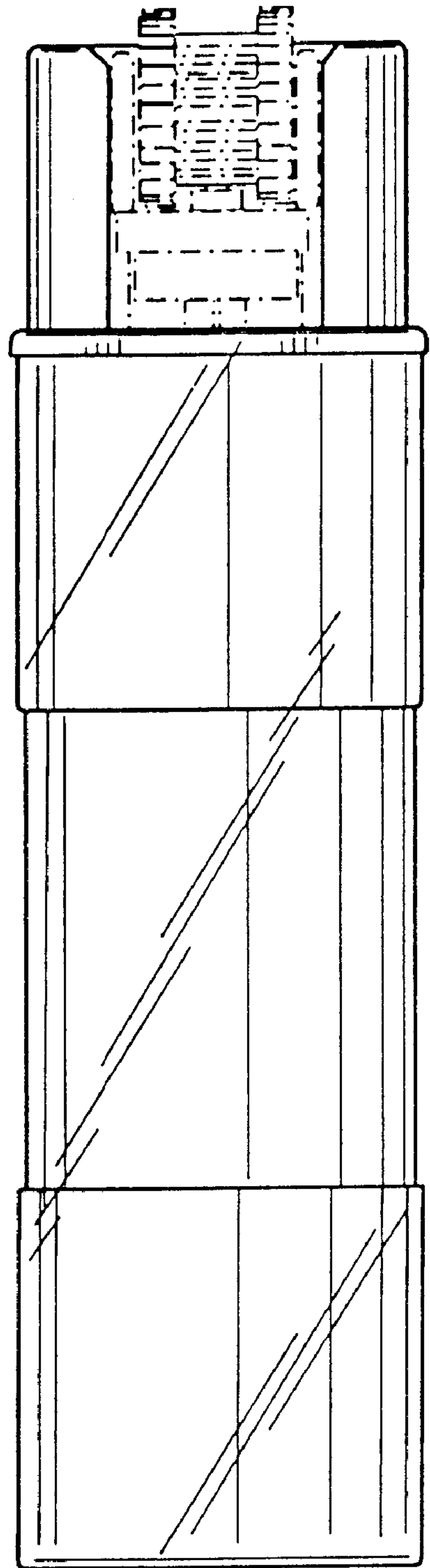


FIG. 15

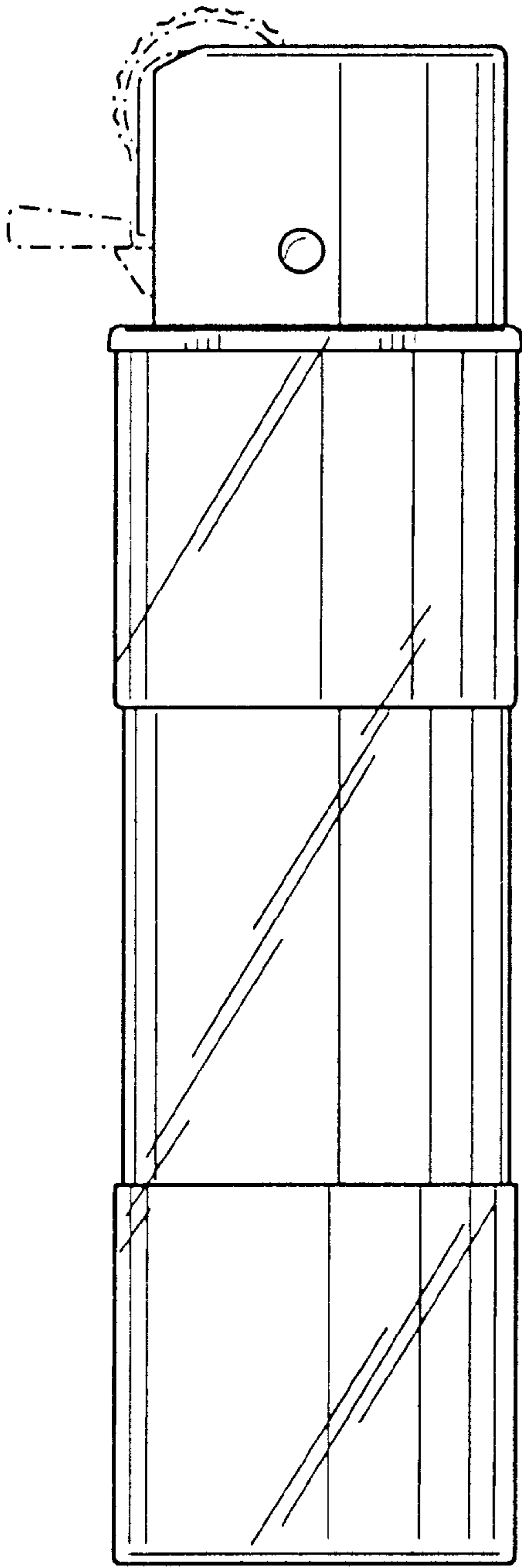


FIG. 16

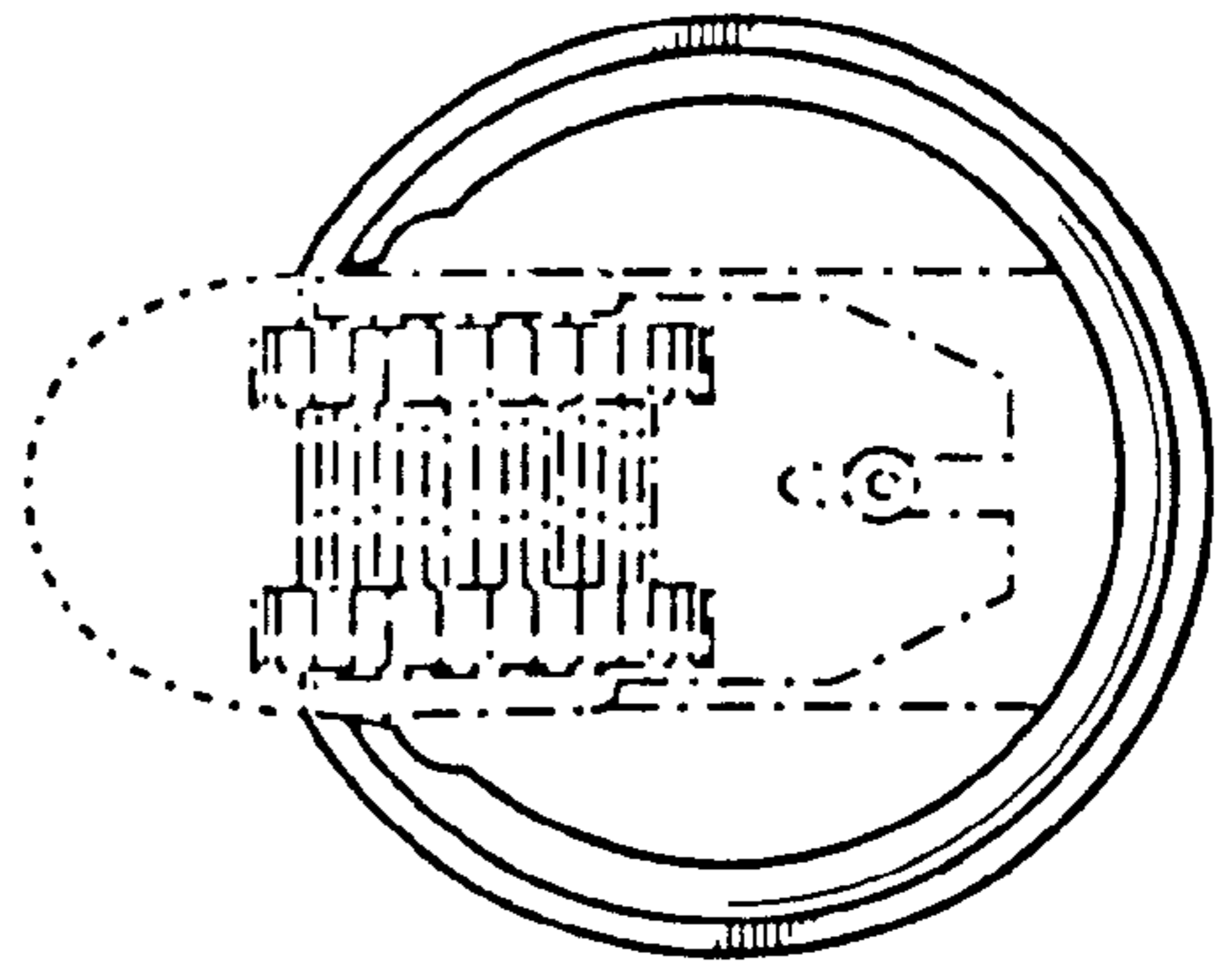


FIG. 17

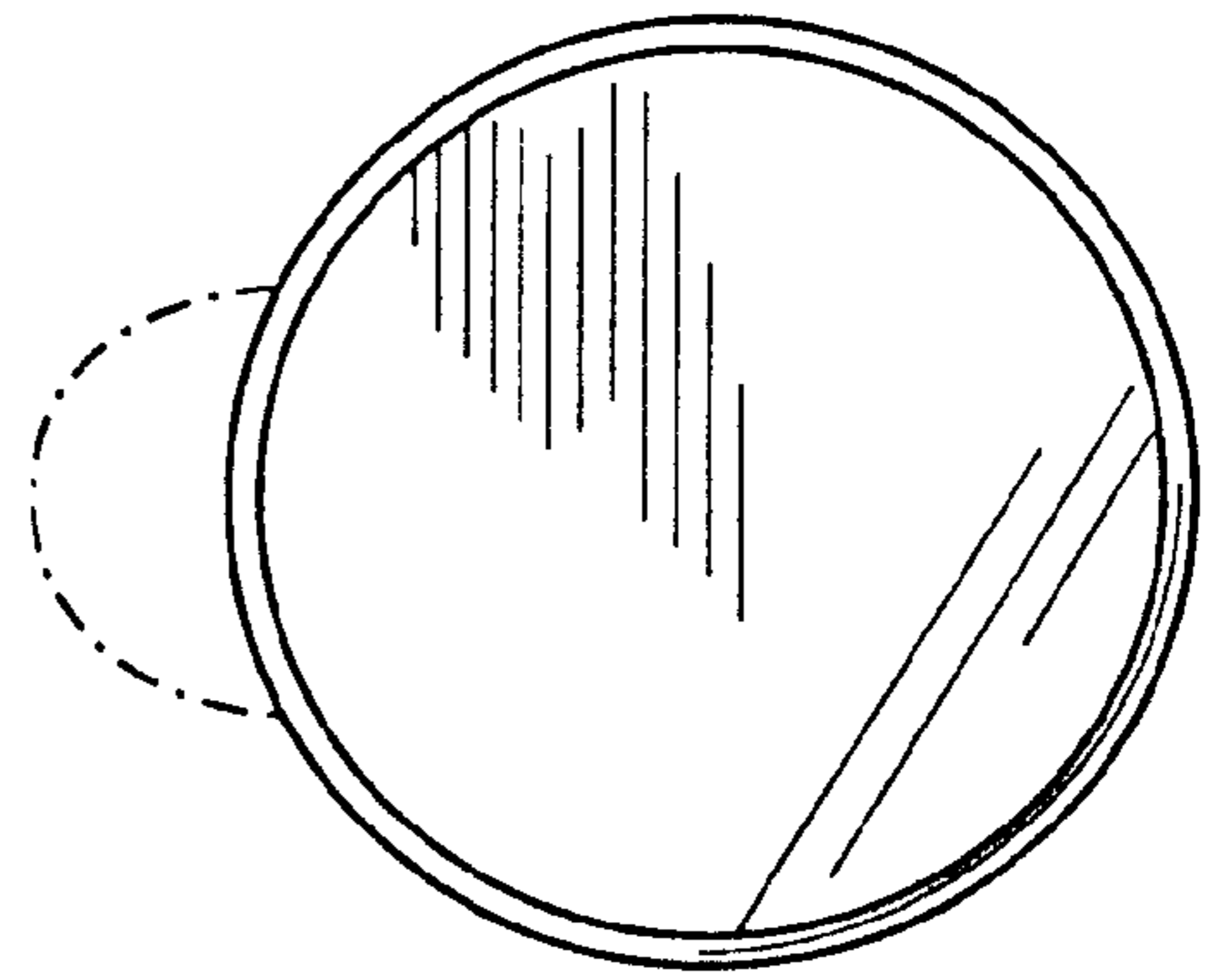


FIG. 18

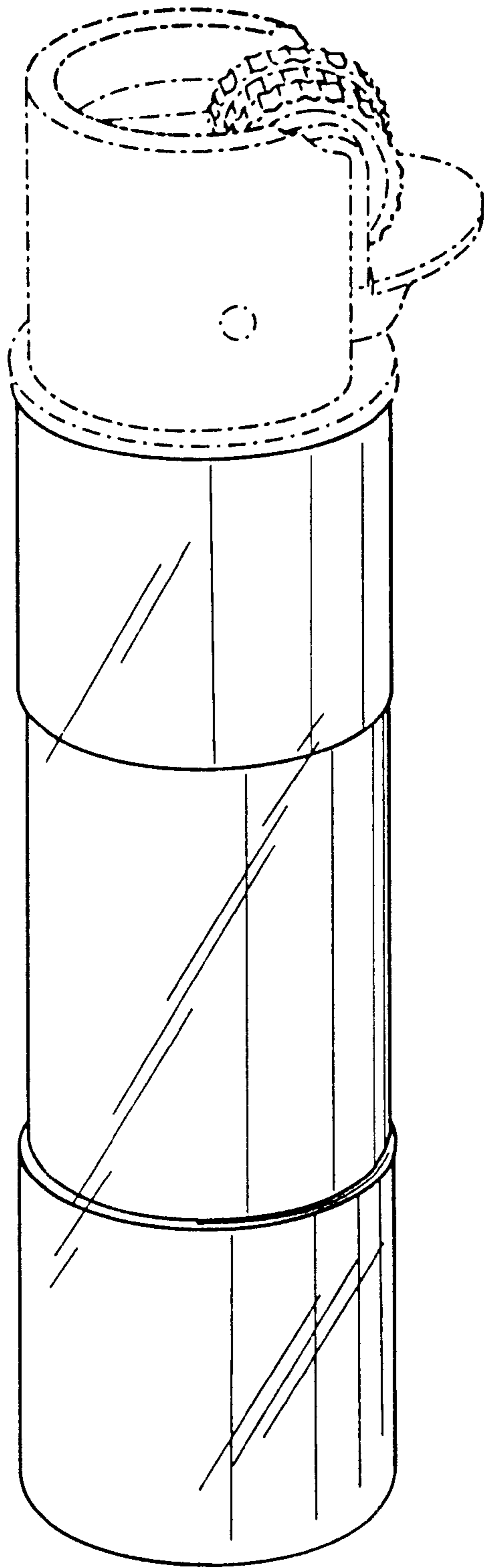


FIG. 19

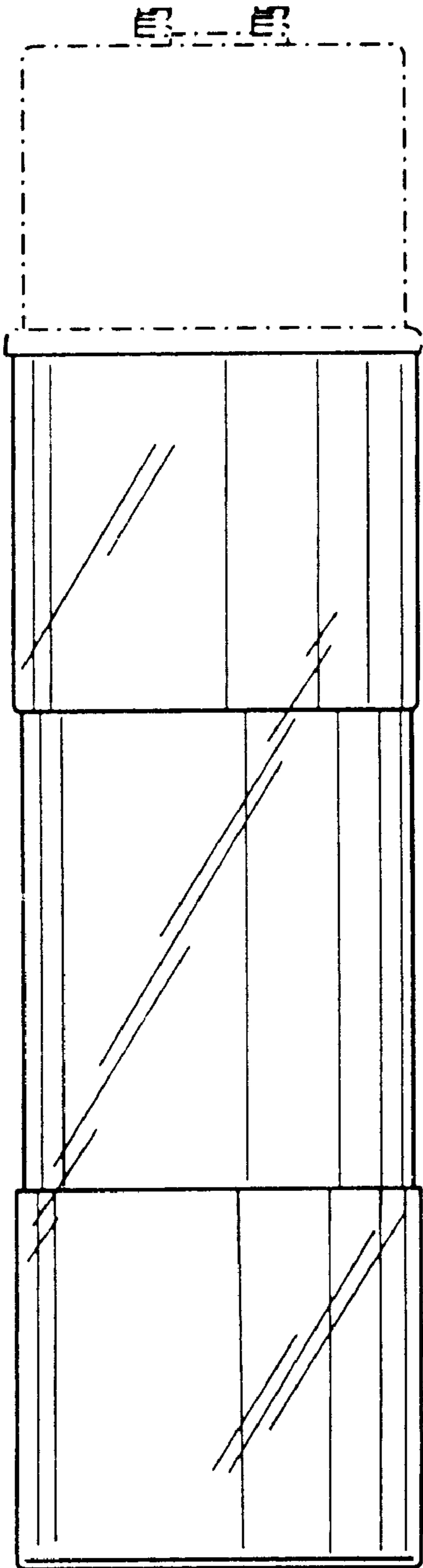


FIG. 20

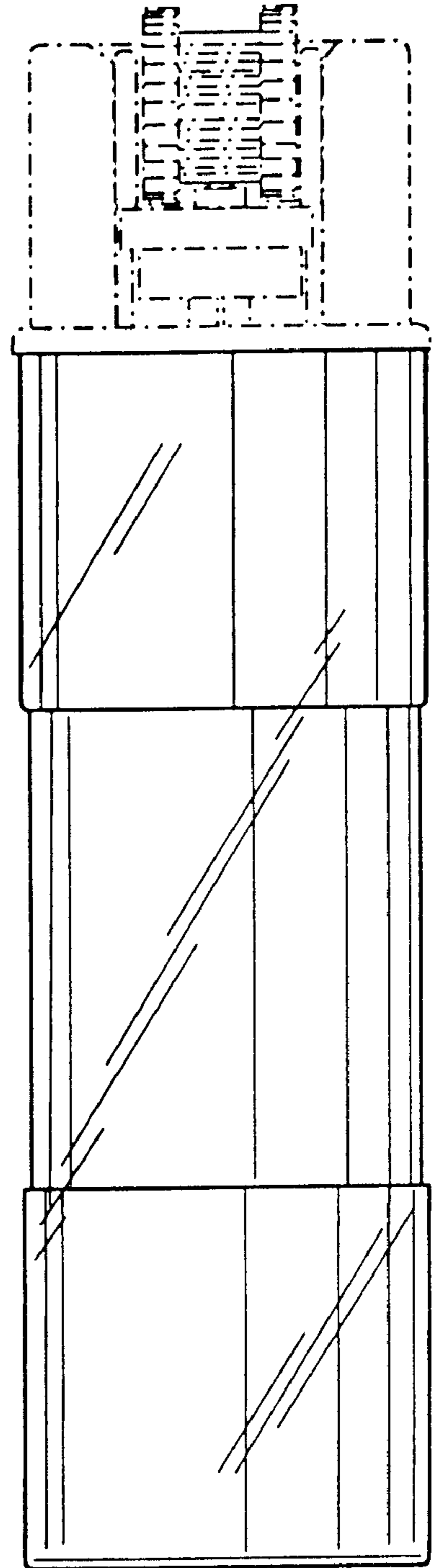


FIG. 21

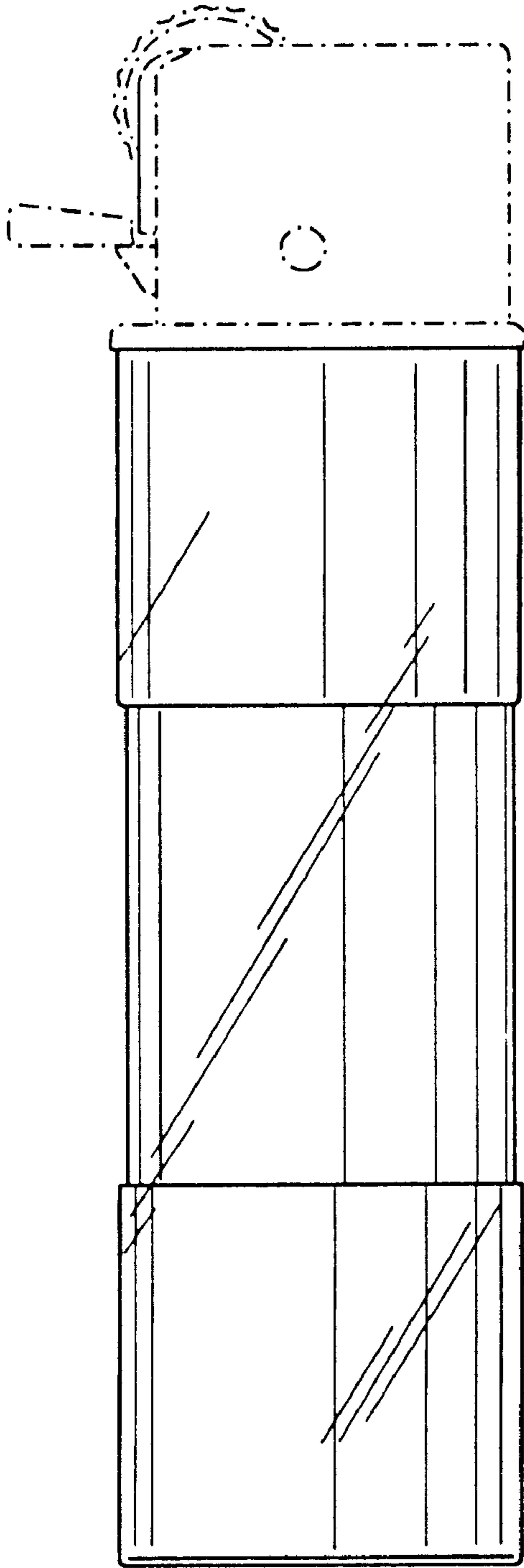


FIG. 22

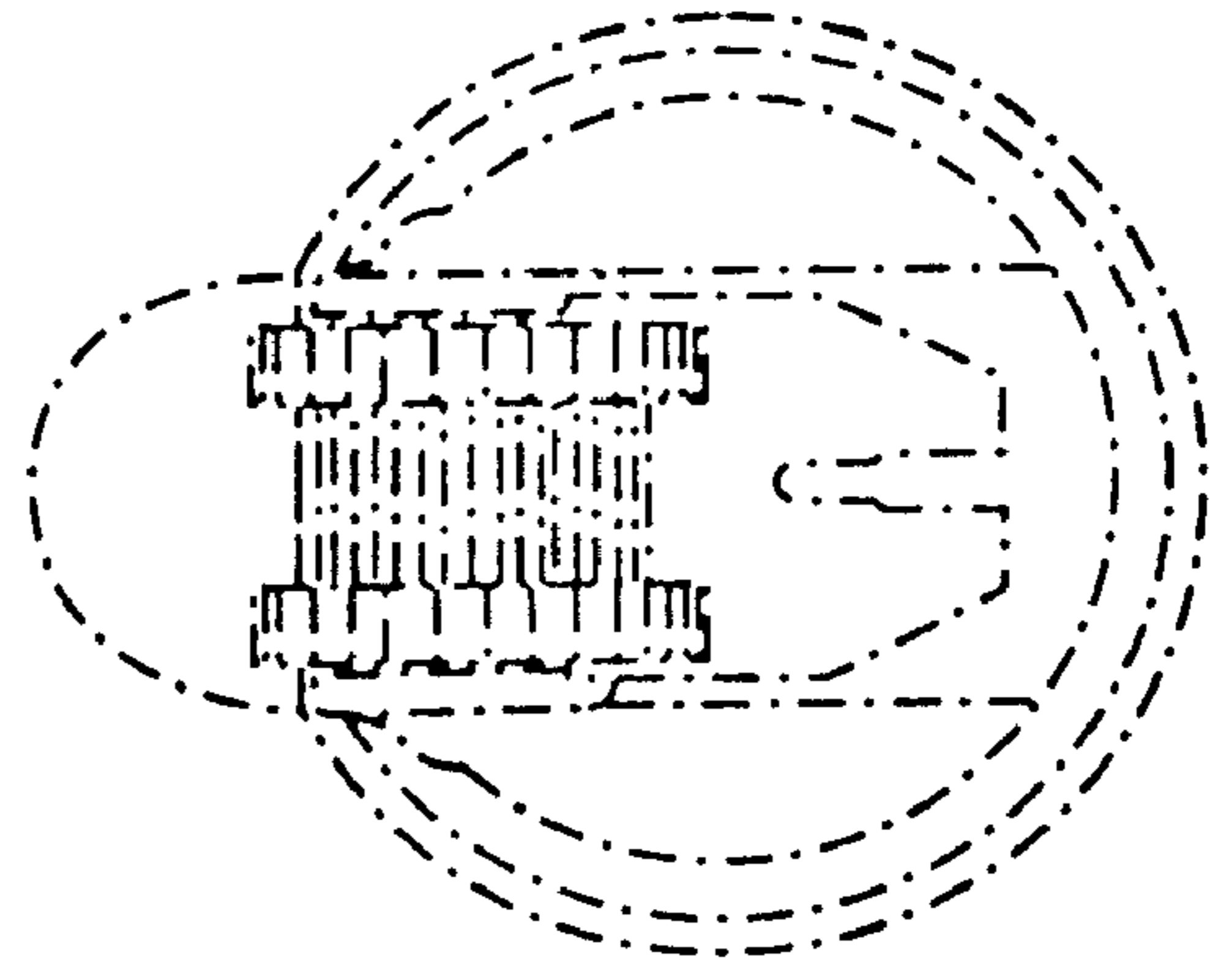


FIG. 23

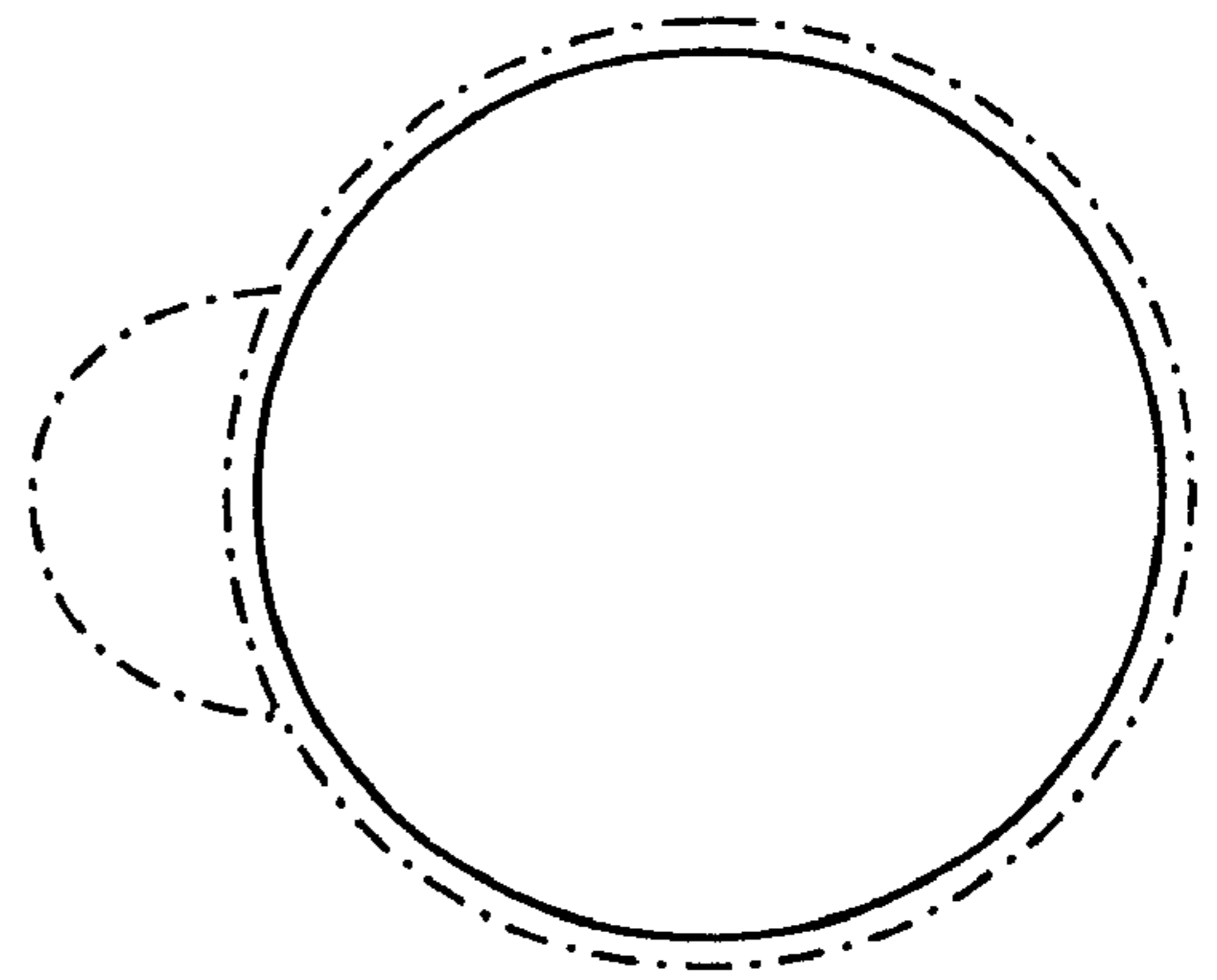


FIG. 24