



US00D412760S

United States Patent [19]
McCalla et al.

[11] **Patent Number: Des. 412,760**
[45] **Date of Patent: ** Aug. 10, 1999**

[54] **LIGHTED TOOL HANDLE**
[75] Inventors: **Gavin McCalla; William R. Lutz**, both of Cumming, Ga.
[73] Assignee: **McCalla Company**, Alpharetta, Ga.
[**] Term: **14 Years**
[21] Appl. No.: **29/083,862**
[22] Filed: **Feb. 19, 1998**
[51] **LOC (6) Cl.** **26-02**
[52] **U.S. Cl.** **D26/38; D8/87**
[58] **Field of Search** **D26/37-50; D8/83, D8/87, 85, 86; 362/157, 158, 183-208, 109, 119, 120**

2,466,342 4/1949 Watts 240/6.46
2,706,769 4/1955 Cook 240/6.46
2,736,792 2/1956 Freeland 240/6.46
2,773,974 12/1956 Markett 240/6.46
2,783,364 2/1957 Wood, Jr. 240/6.46
3,185,832 5/1965 Nagamori 240/6.46
3,603,782 9/1971 Wortmann 240/6.46
3,919,541 11/1975 Chao 240/6.46
4,283,757 8/1981 Nalbandian et al. 362/120
4,768,137 8/1988 Hwaw et al. 362/120

(List continued on next page.)

FOREIGN PATENT DOCUMENTS

0 306 461 A1 3/1989 European Pat. Off. .
0 421 721 A2 10/1991 European Pat. Off. .
2 031 316 11/1982 United Kingdom .
2 053 438 4/1983 United Kingdom .
2 272 967 6/1996 United Kingdom .

OTHER PUBLICATIONS

Photographs of a "Craftsman" screwdriver (undated) Prior to Feb. 19, 1998.

Primary Examiner—Marcus A. Jackson
Attorney, Agent, or Firm—Needle & Rosenberg, P.C.

[56] **References Cited**

U.S. PATENT DOCUMENTS

D. 182,397 4/1958 Blum .
D. 197,757 3/1964 Nagamori D93/4
D. 294,868 3/1988 Sim D26/38
D. 314,664 2/1991 Bonanno D26/38
D. 323,449 1/1992 Corona et al. D8/83
D. 327,827 7/1992 Kwan D8/61
D. 328,699 8/1992 Shaanan et al. D8/82
D. 330,497 10/1992 Hsin D8/68
D. 331,356 12/1992 Amsberry D8/68
D. 340,633 10/1993 Badiali D8/85
D. 358,316 5/1995 Markwart et al. D8/82
D. 363,012 10/1995 Humphries D26/38
D. 364,694 11/1995 Silvia D26/38
D. 371,616 7/1996 Porth et al. D26/38
D. 376,305 12/1996 Kung D8/82
D. 383,660 9/1997 Anderson D8/83
D. 401,130 11/1998 Maier et al. D26/38
1,144,210 6/1915 Kincaid .
1,439,404 12/1922 Cotharin 240/6.46
1,603,985 10/1926 Rosenberg .
1,635,933 7/1927 Genoves .
2,242,536 5/1941 Montgomery 240/6.46
2,288,093 6/1942 Kaffenberger et al. 240/6.46
2,341,375 2/1944 Hambleton 240/6.46

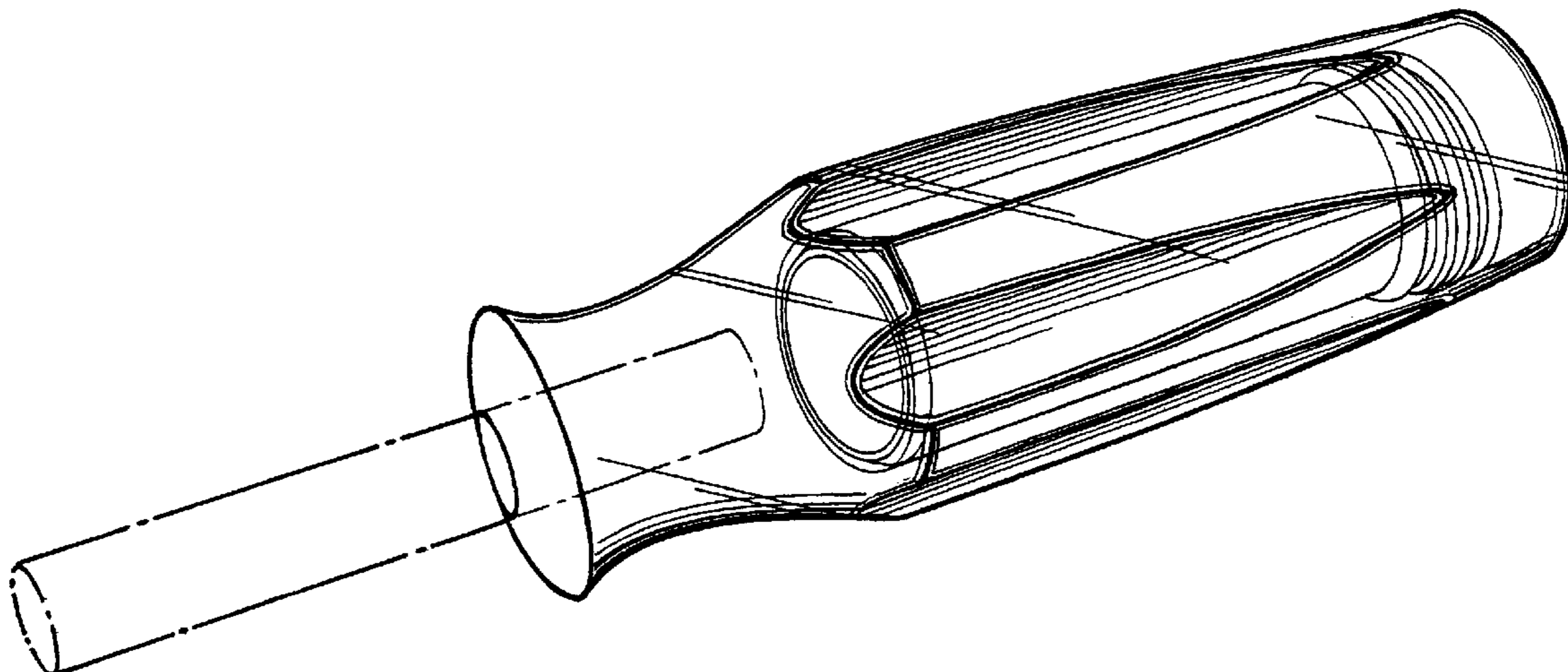
[57] **CLAIM**

The new and ornamental design for a lighted tool handle, as shown and described.

DESCRIPTION

FIG. 1 is a perspective view of a lighted tool handle of the present invention.
FIG. 2 is a side elevational view of FIG. 1 with the opposite side being a mirror image.
FIG. 3 is a front end view of FIG. 1.
FIG. 4 is a back end view of FIG. 1.
FIG. 5 is an exploded perspective view of FIG. 1.
FIG. 6 is a cross-sectional view along line 6—6 in FIG. 3; and,
FIG. 7 is a cross-sectional view along line 7—7 in FIG. 2.

1 Claim, 2 Drawing Sheets



Des. 412,760

Page 2

U.S. PATENT DOCUMENTS

4,936,171	6/1990	Berg	81/451	5,510,962	4/1996	Hsiao	362/120
5,124,893	6/1992	Jeng	362/120	5,515,249	5/1996	Shiao	362/119
5,211,468	5/1993	Jeng	362/120	5,550,719	8/1996	Kuo	362/120
5,265,504	11/1993	Fruhm	81/439	5,577,829	11/1996	Hall	362/119
5,369,555	11/1994	McKain et al.	362/120	5,584,565	12/1996	Berg	362/120
5,473,519	12/1995	McCallops et al.	362/120	5,628,556	5/1997	Hrabar et al.	362/119
				5,713,656	2/1998	Lin	362/120

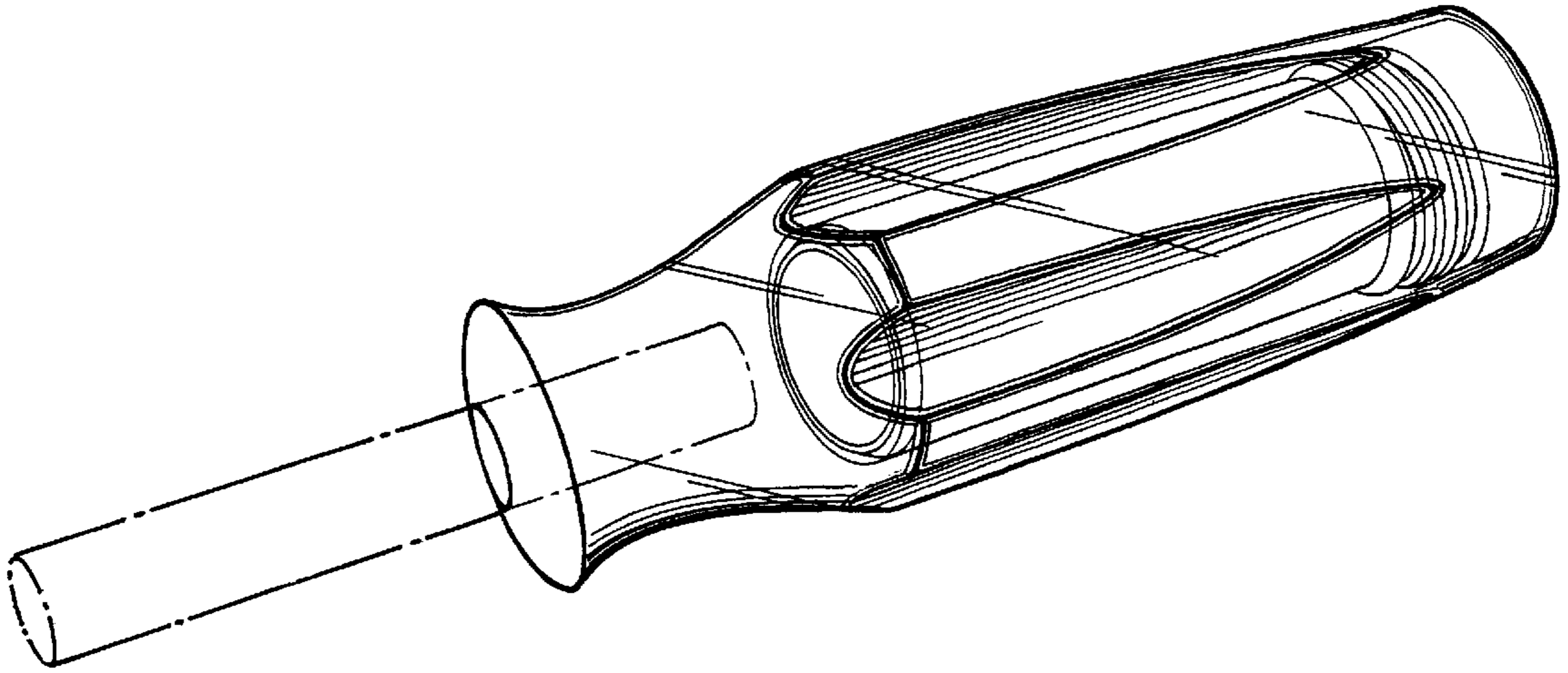


FIG 1

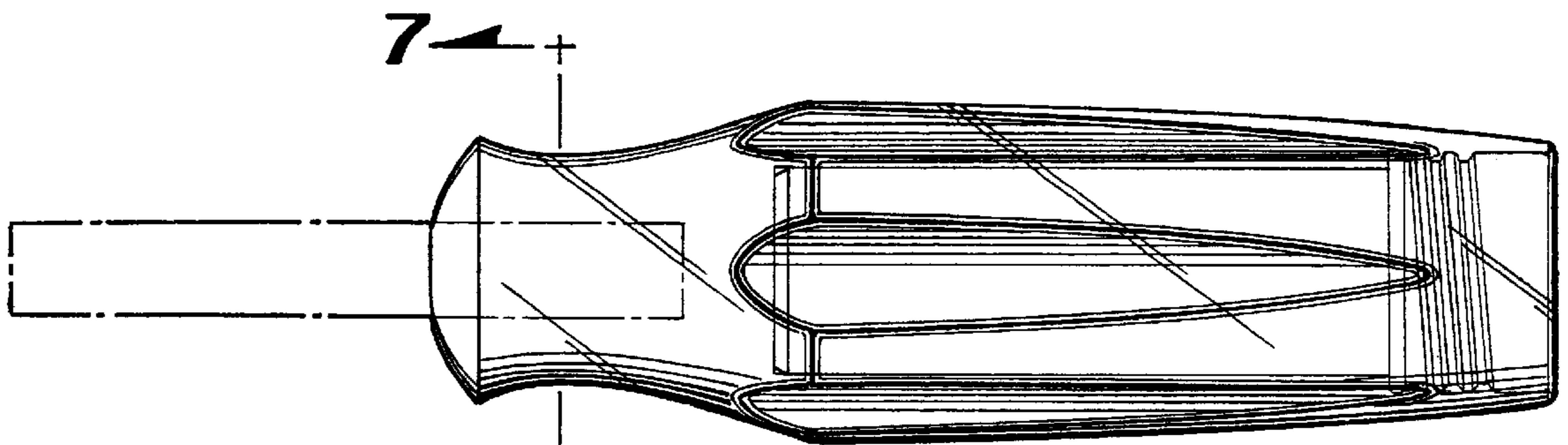


FIG 2

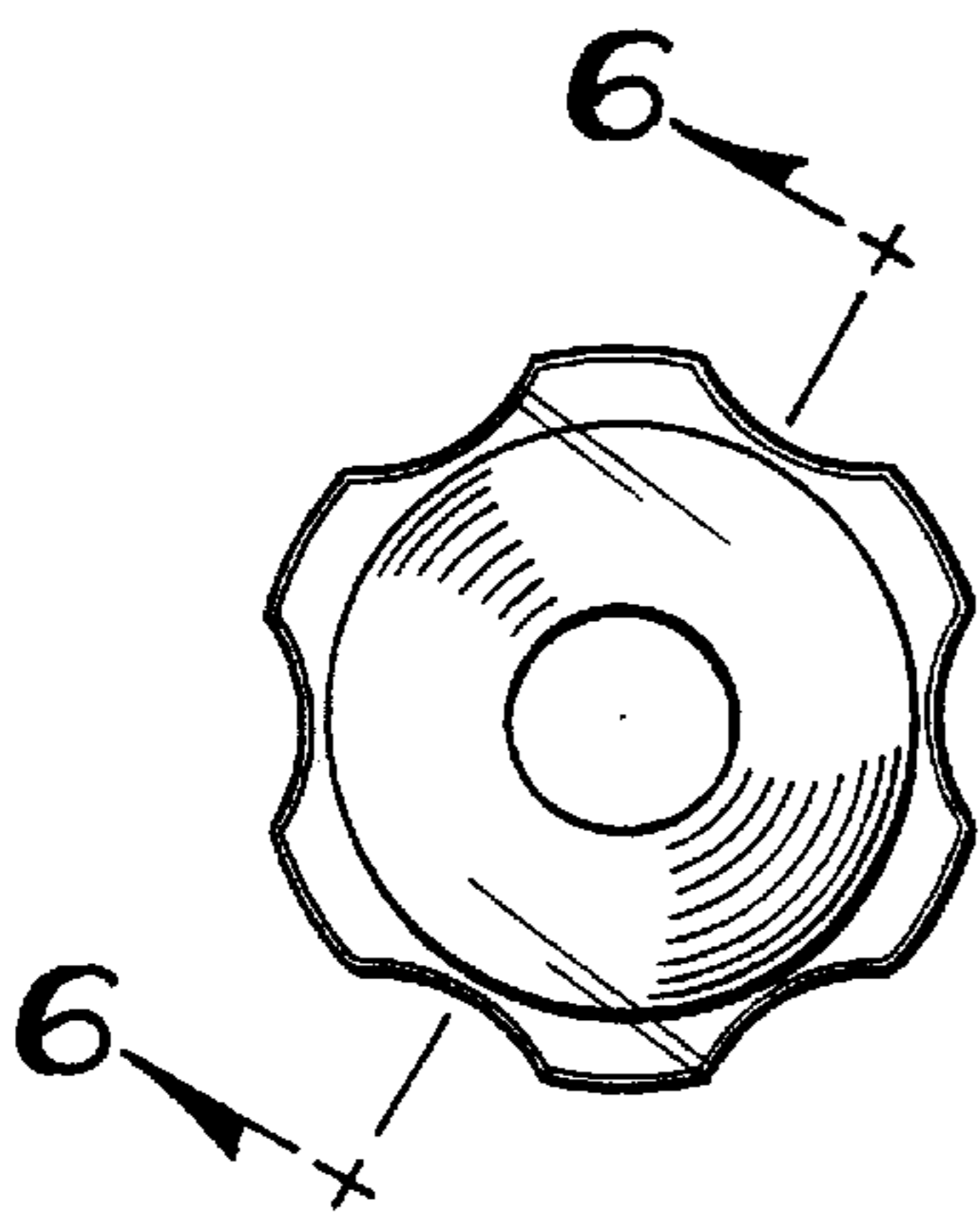


FIG 3

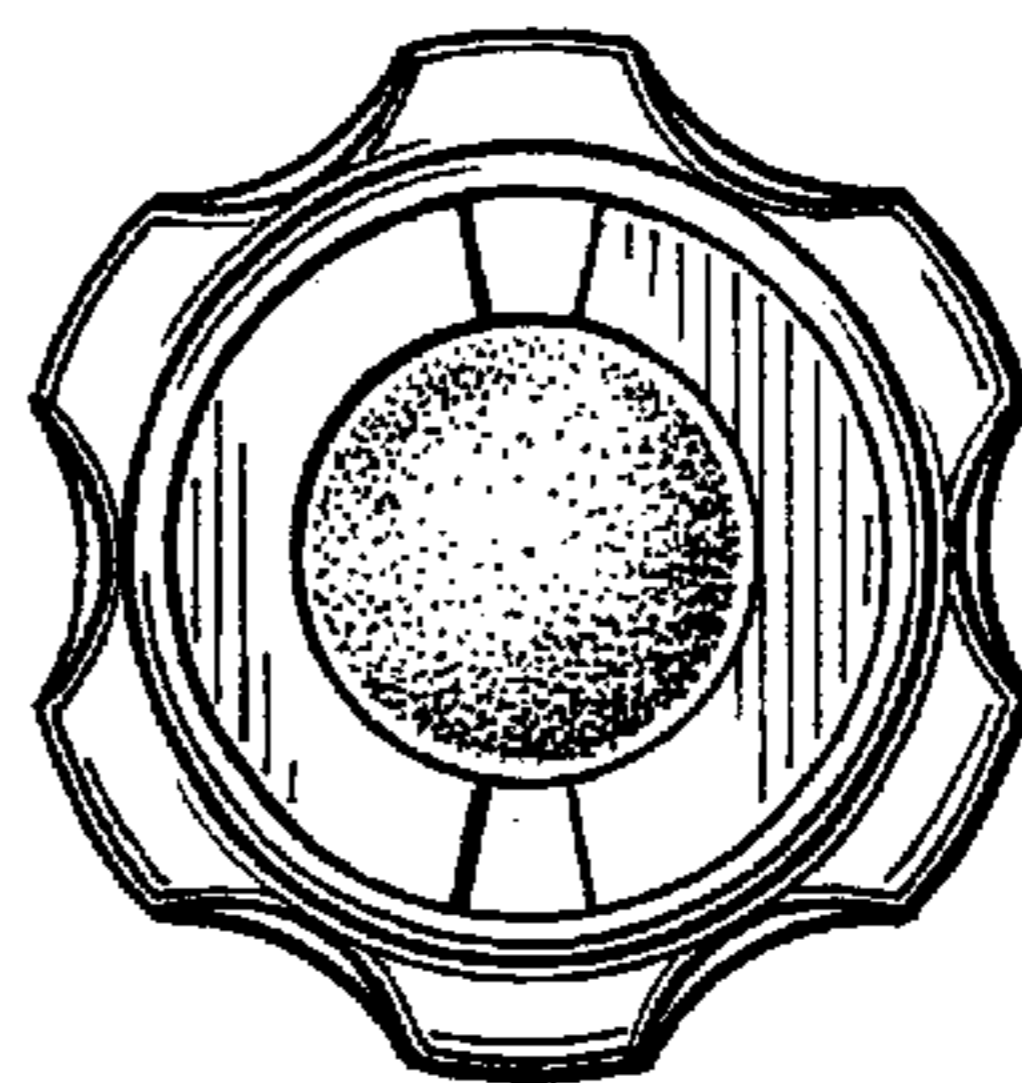


FIG 4

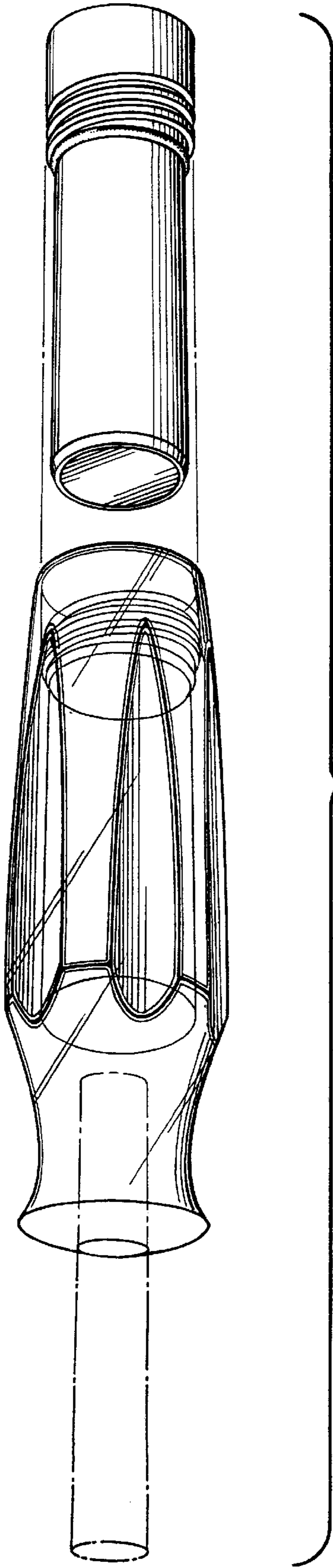


FIG 5

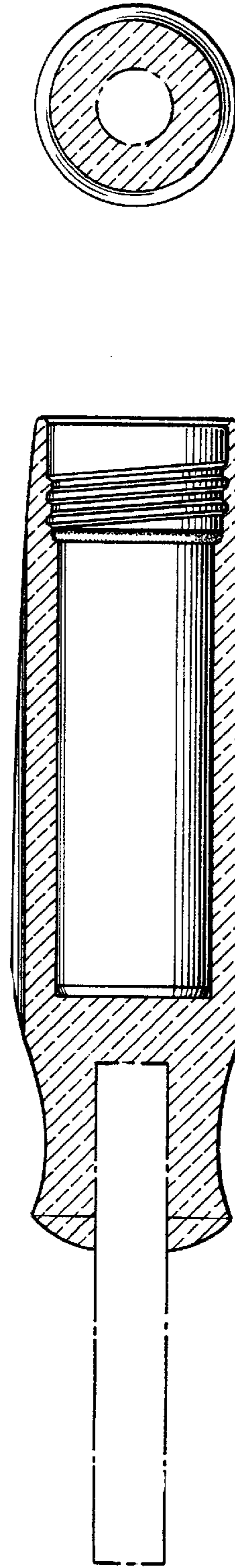


FIG 6

FIG 7