



US00D412758S

United States Patent [19]

Kato et al.

[11] Patent Number: Des. 412,758

[45] Date of Patent: ** Aug. 10, 1999

[54] SELF-BALLASTED COMPACT
FLUORESCENT LAMPS

D. 373,644 9/1996 Struhs D26/2
D. 392,057 3/1998 Chen D26/2
5,252,885 10/1993 Muzeroll et al. D26/3

[75] Inventors: Masayoshi Kato; Takeshi Matsumura;
Shiro Iida, all of Osaka, Japan

FOREIGN PATENT DOCUMENTS

999296 12/1997 Japan .

[73] Assignee: Matsushita Electronics Corporation,
Japan

OTHER PUBLICATIONS

[**] Term: 14 Years

DM/042 173, Philips Electronics, International Designs Bul-
letin, Nov. 1997.

[21] Appl. No.: 29/094,440

Primary Examiner—Marcus A. Jackson
Attorney, Agent, or Firm—Saidman DesignLaw Group

[22] Filed: Oct. 2, 1998

[30] Foreign Application Priority Data

Apr. 22, 1998 [JP] Japan 10-11861

[51] LOC (6) Cl. 26-04

[52] U.S. Cl. D26/3

[58] Field of Search D26/1, 2, 3, 26;
313/313, 315, 317, 318, 493; 315/52, 53,
56, 57; 362/216

[57] CLAIM

The ornamental design for a self-ballasted compact fluo-
rescent lamps, as shown and described.

DESCRIPTION

FIG. 1 is a perspective view of the top front and right side
of a self-ballasted compact fluorescent lamps showing our
new design;
FIG. 2 is a front view thereof;
FIG. 3 is a right side view thereof;
FIG. 4 is a top plan view thereof;
FIG. 5 is a bottom view thereof;
FIG. 6 is a rear view thereof; and,
FIG. 7 is a left side view thereof.

[56] References Cited

U.S. PATENT DOCUMENTS

D. 266,025 8/1982 Polhemus et al. D26/2
D. 321,404 11/1991 Falini D26/2
D. 354,145 1/1995 Matsumura et al. D26/3
D. 354,146 1/1995 Chamberlain et al. D26/3
D. 372,992 8/1996 Martich et al. D26/3

1 Claim, 2 Drawing Sheets

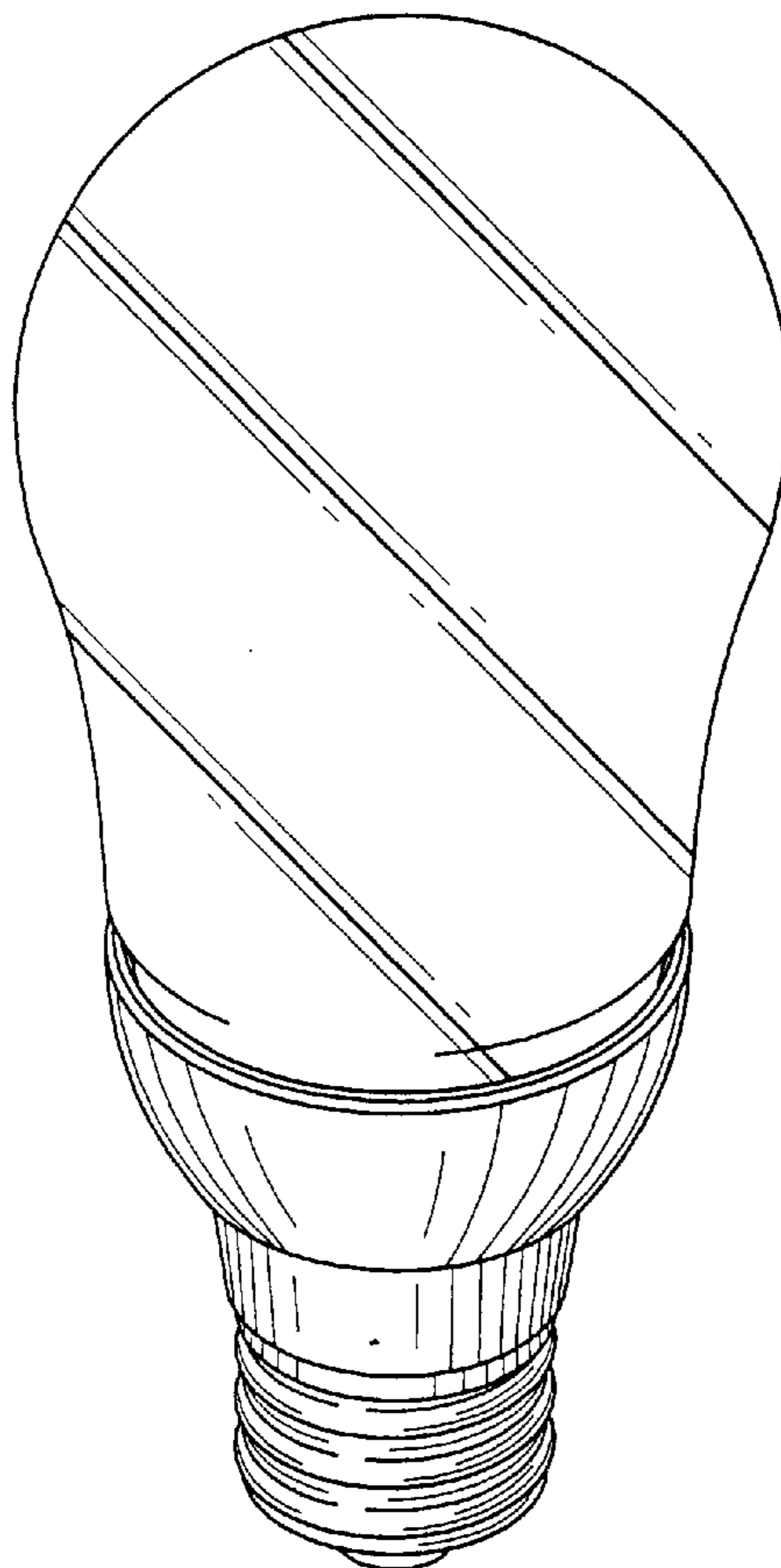


FIG. 3

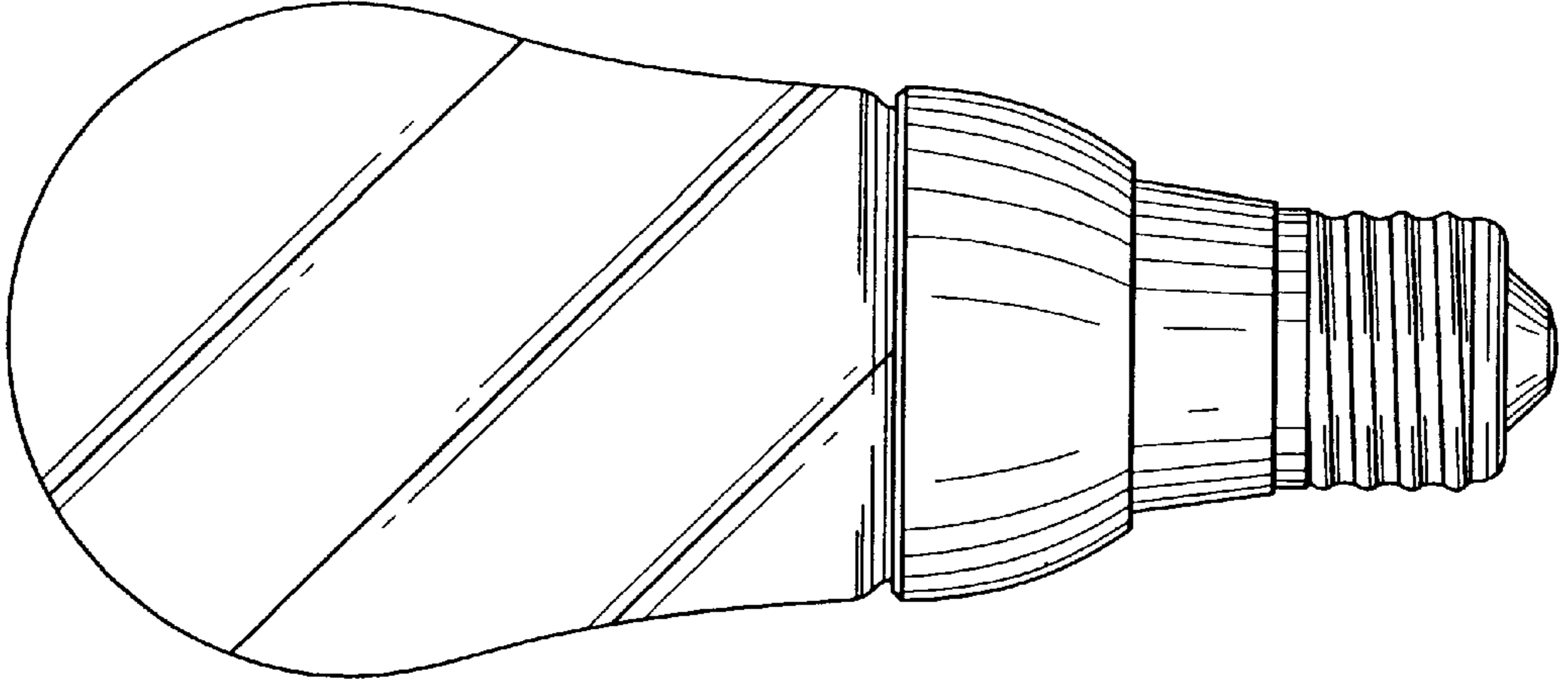


FIG. 2

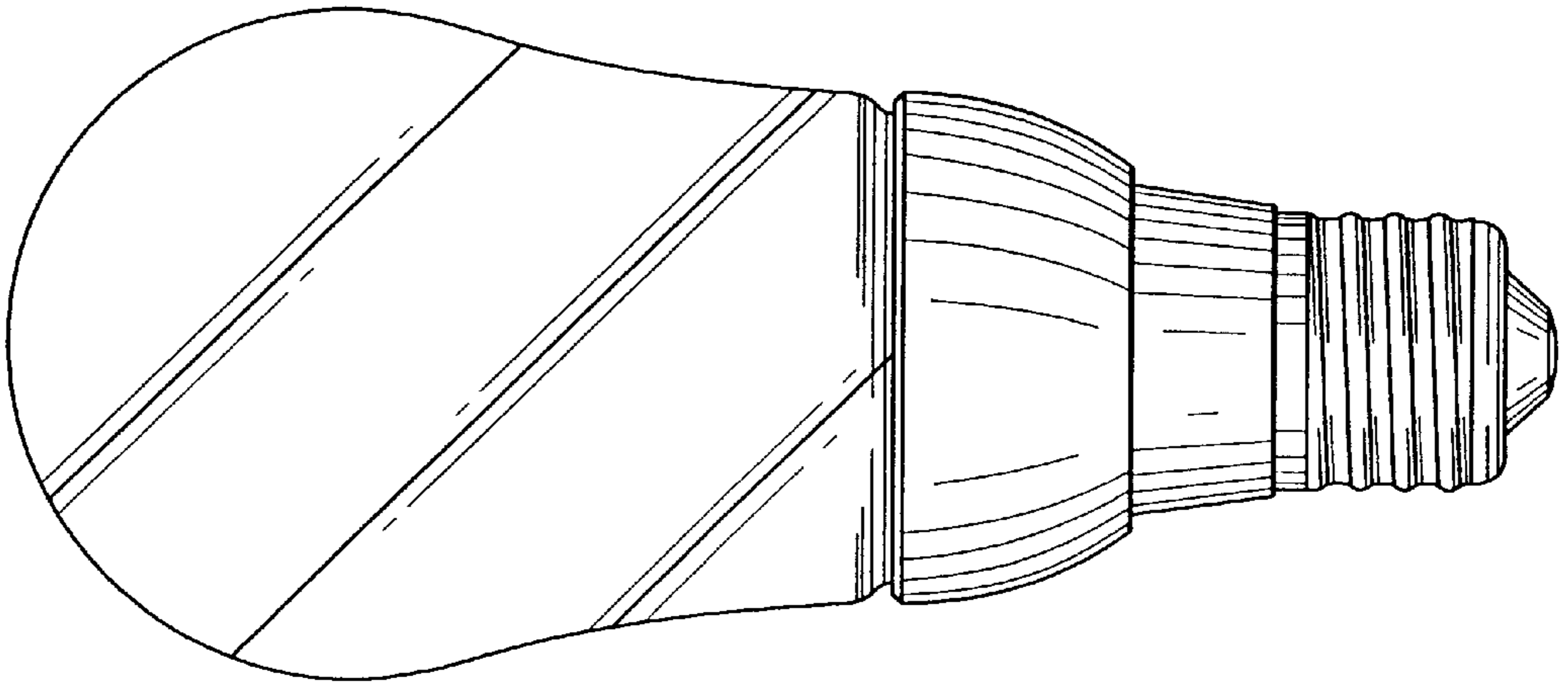


FIG. 1

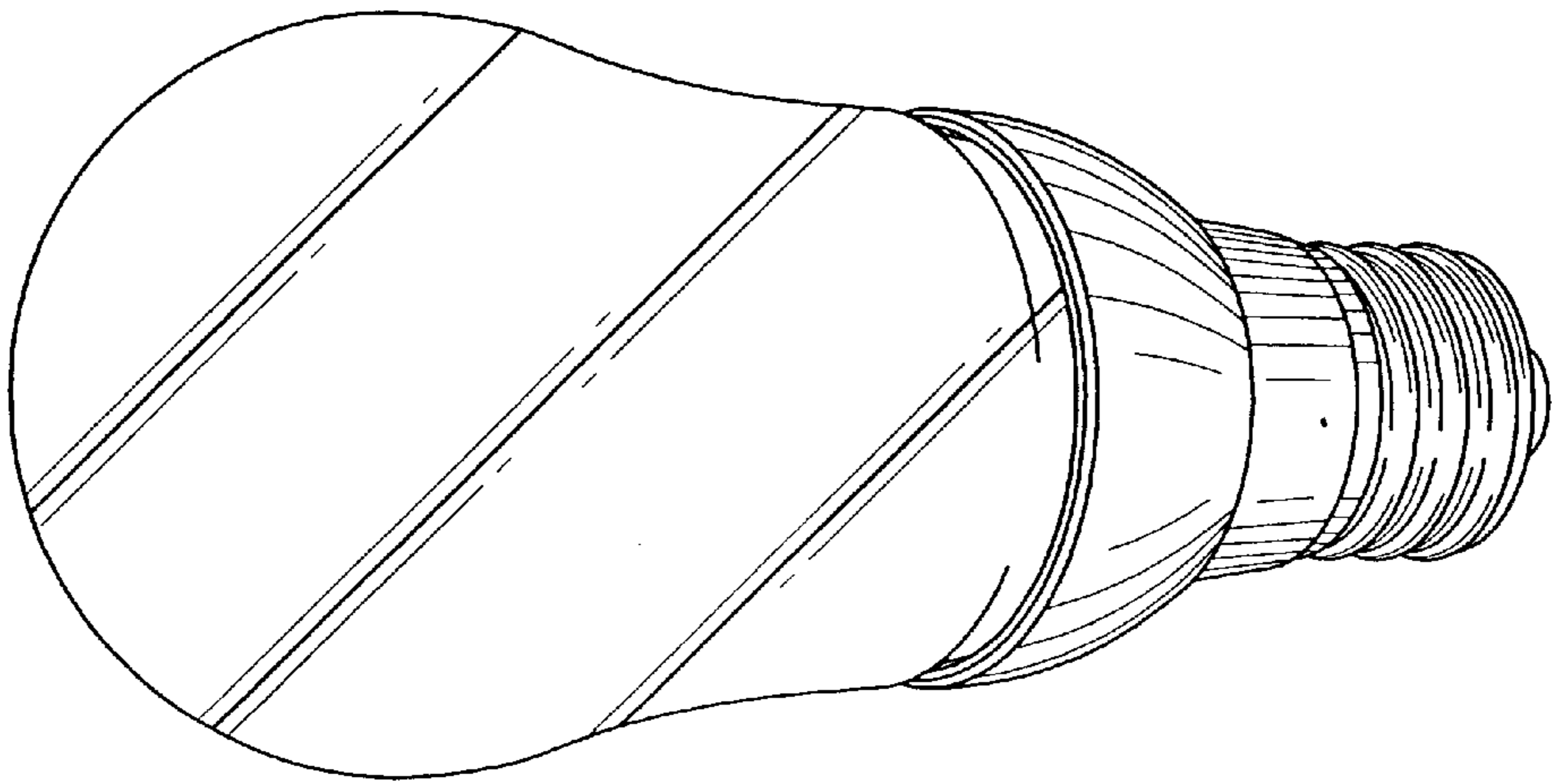


FIG. 4

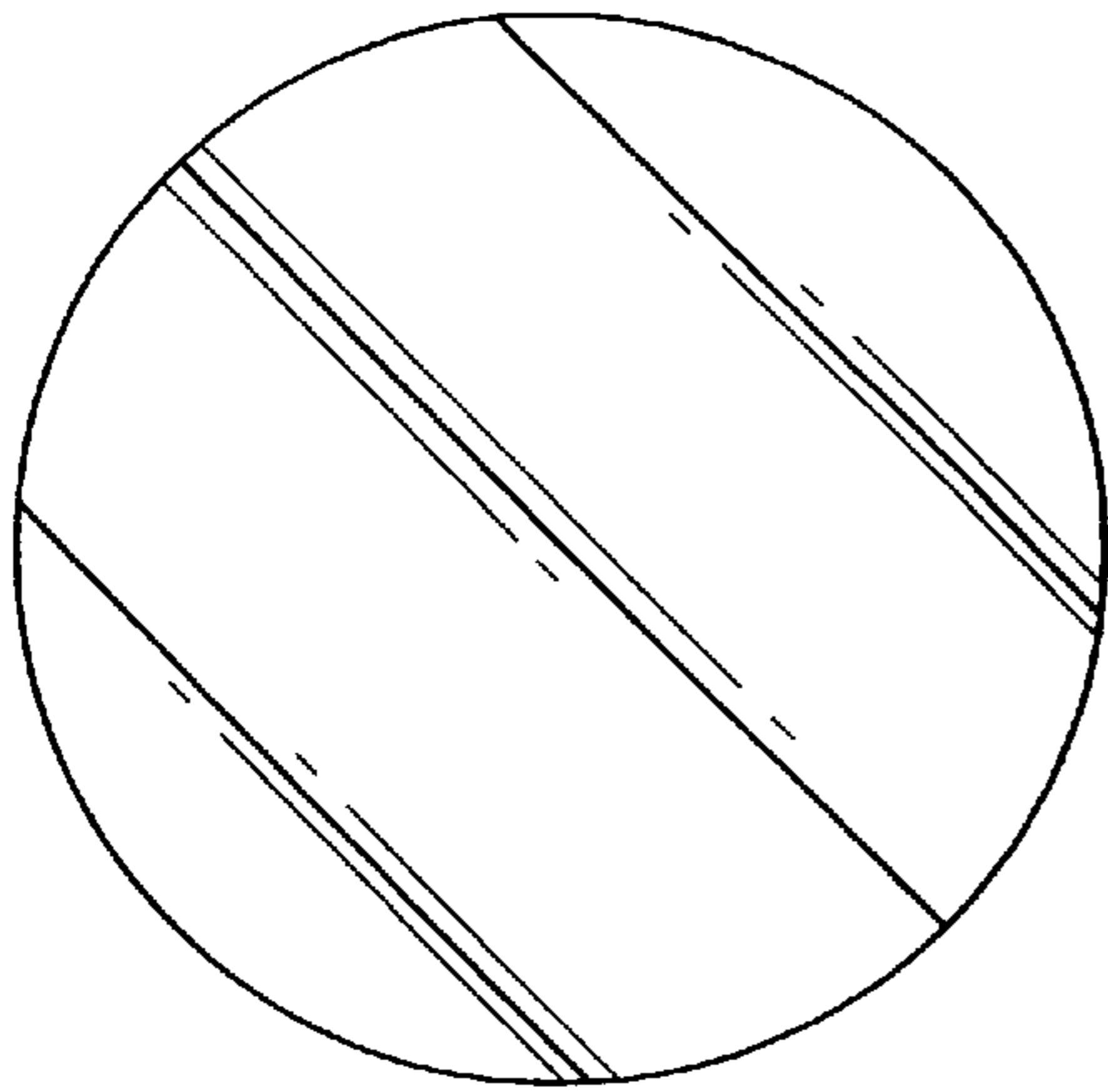


FIG. 5

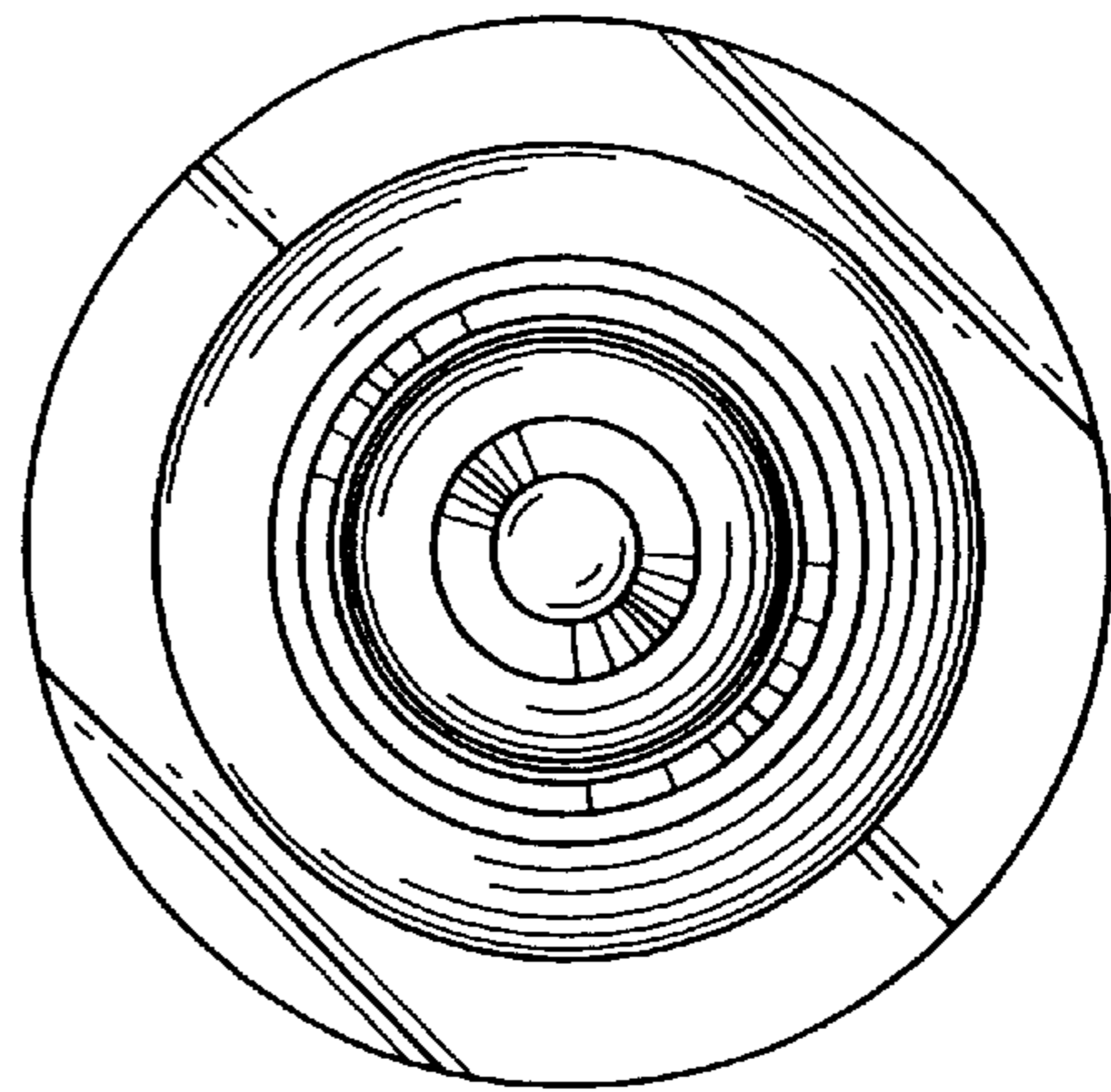


FIG. 6

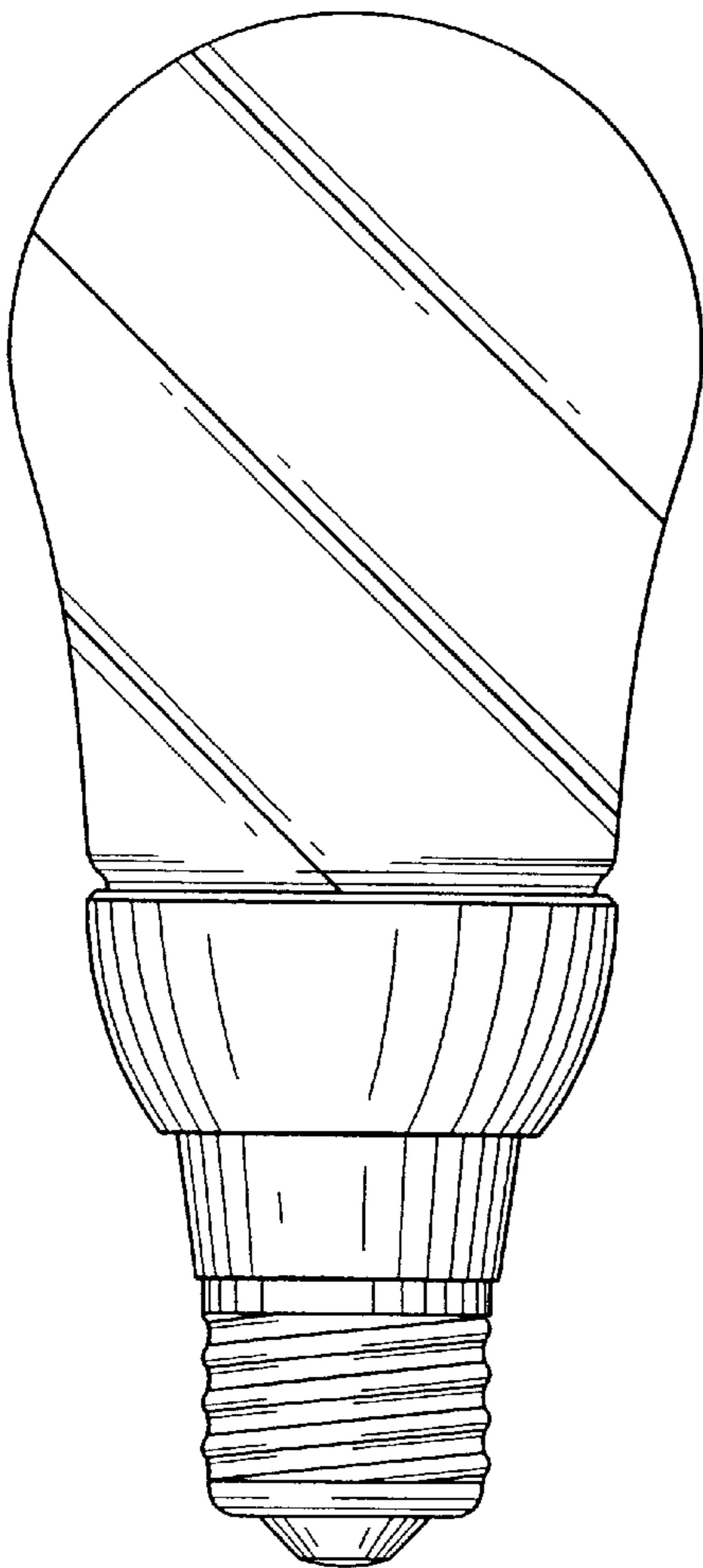


FIG. 7

