



US00D412754S

United States Patent [19]
Harden

[11] **Patent Number: Des. 412,754**

[45] **Date of Patent: ** Aug. 10, 1999**

[54] **SCAFFOLD STEP**

FOREIGN PATENT DOCUMENTS

[76] Inventor: **Danny Harden**, HC 51D, Holliday,
Tex. 76366

2454511 12/1980 France .
651677 4/1951 United Kingdom .

[**] Term: **14 Years**

Primary Examiner—Doris Clark
Attorney, Agent, or Firm—Stephen R. Greiner

[21] Appl. No.: **29/091,256**

[57] **CLAIM**

[22] Filed: **Jul. 24, 1998**

The ornamental design for a scaffold step, as shown and described.

[51] **LOC (6) Cl.** **25-04**

[52] **U.S. Cl.** **D25/69**

[58] **Field of Search** D25/69; 187/10,
187/112, 228, 90, 92, 120

DESCRIPTION

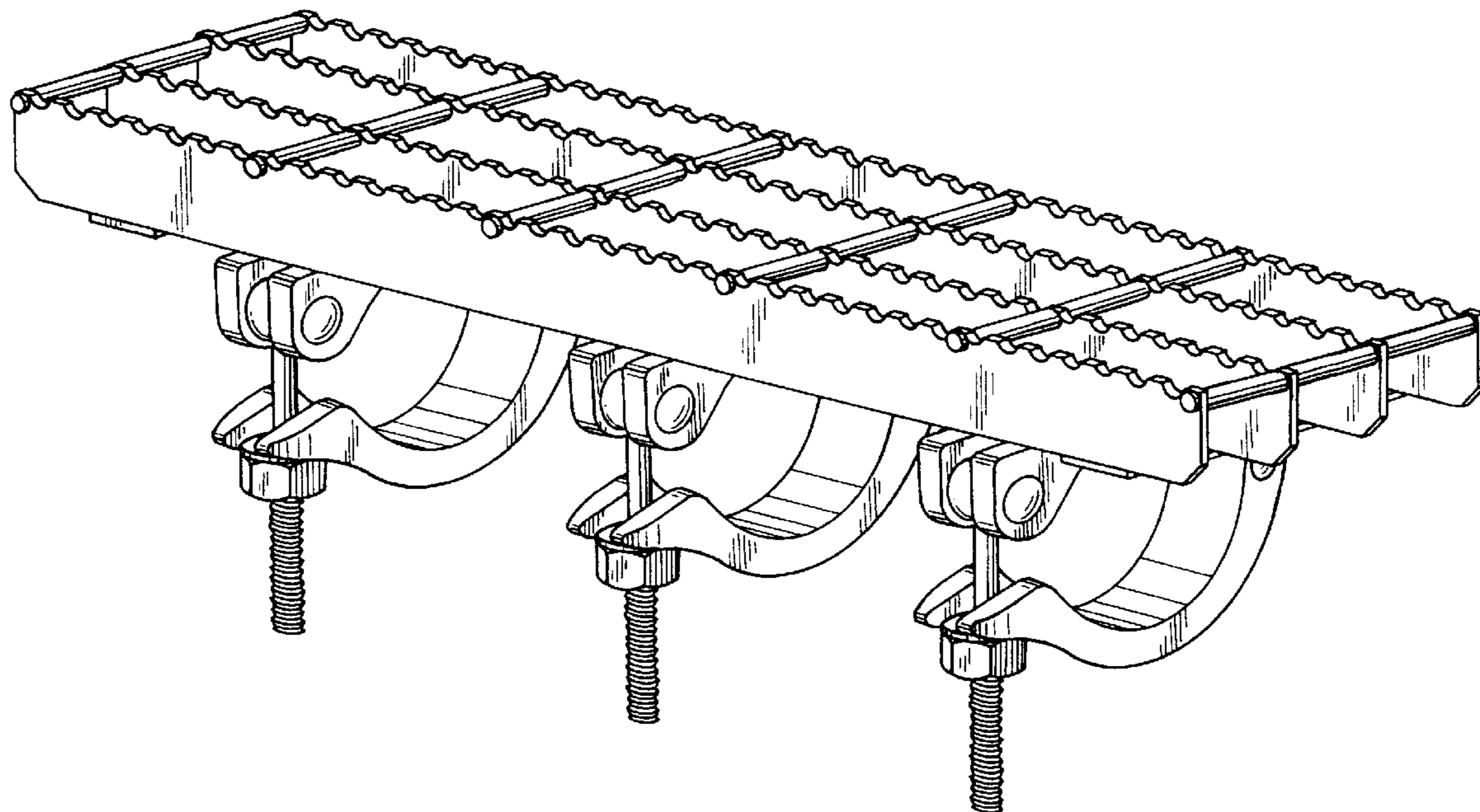
[56] **References Cited**

U.S. PATENT DOCUMENTS

D. 343,692	1/1994	Rainio	D25/69
1,285,817	11/1918	Sklar	.	
4,056,270	11/1977	Greenfield	.	
4,903,795	2/1990	Cummings	.	
5,111,908	5/1992	Reiter et al.	.	
5,337,857	8/1994	Spalt et al.	182/120

FIG. 1 is a perspective view of a scaffold step showing my new design;
FIG. 2 is a right side elevational view with the left side being a mirror image thereof;
FIG. 3 is a front elevational view thereof;
FIG. 4 is a rear elevational view thereof;
FIG. 5 is a top view thereof; and,
FIG. 6 is a bottom view thereof.

1 Claim, 3 Drawing Sheets



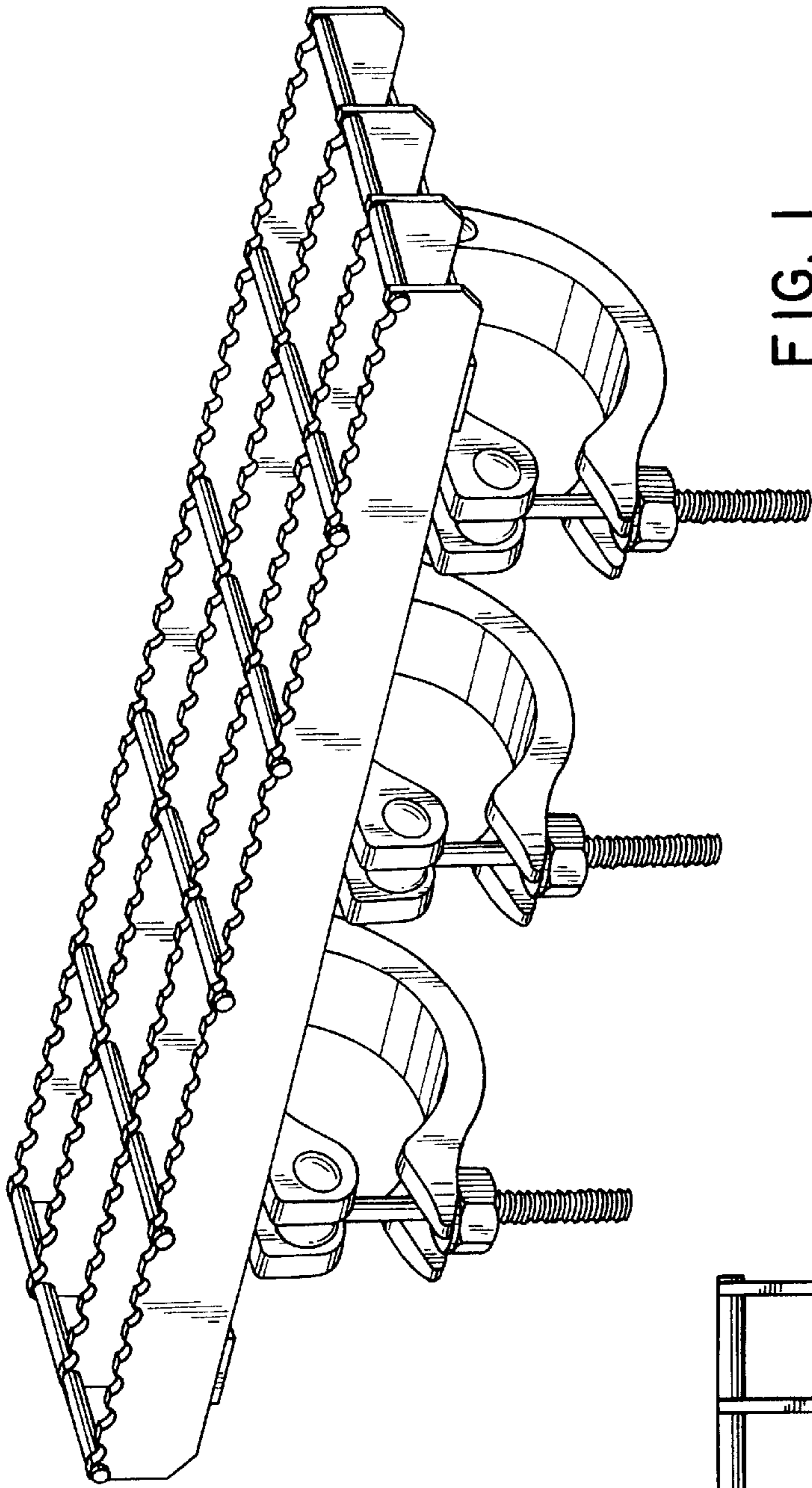


FIG. 1

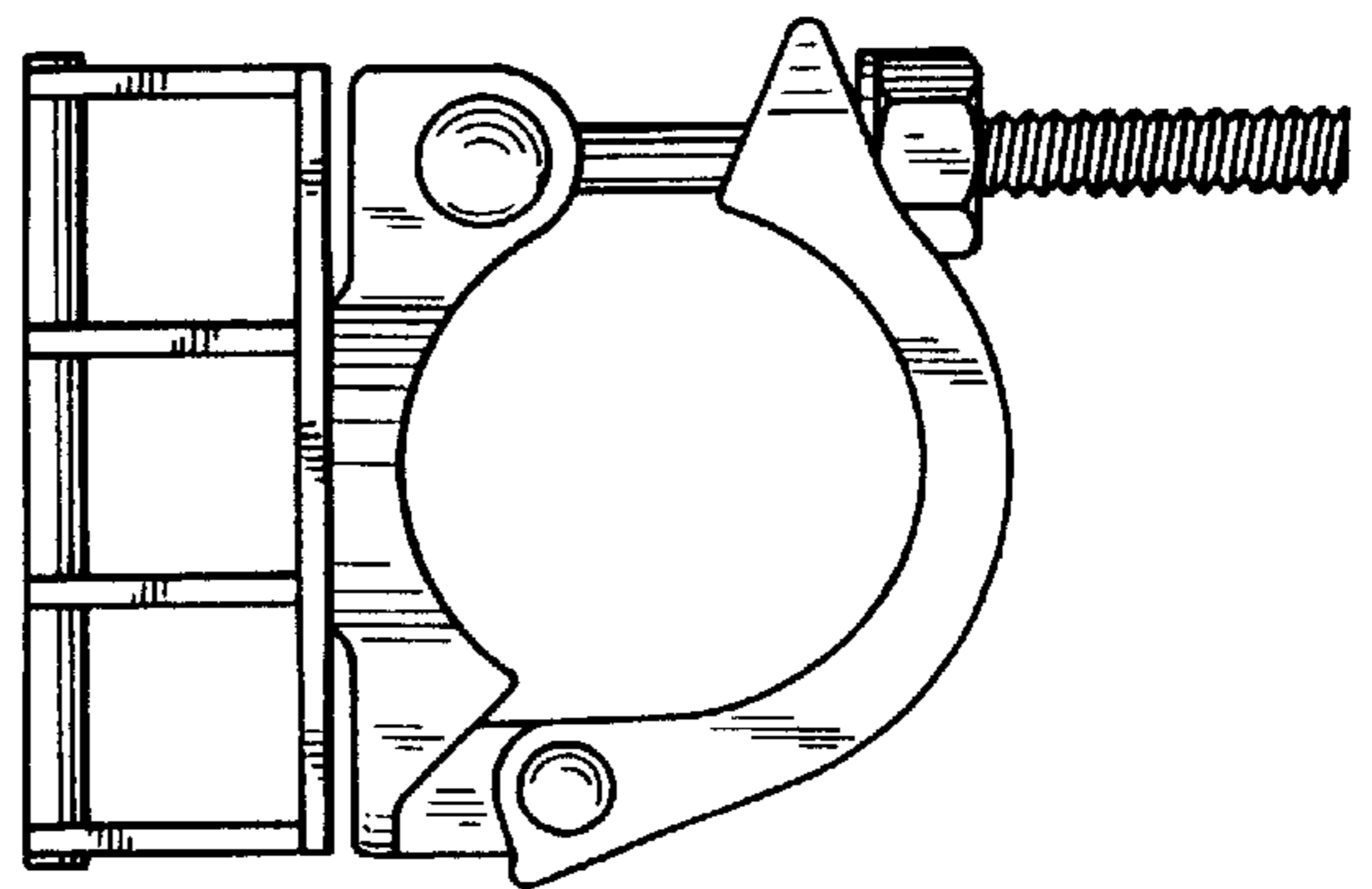


FIG. 2

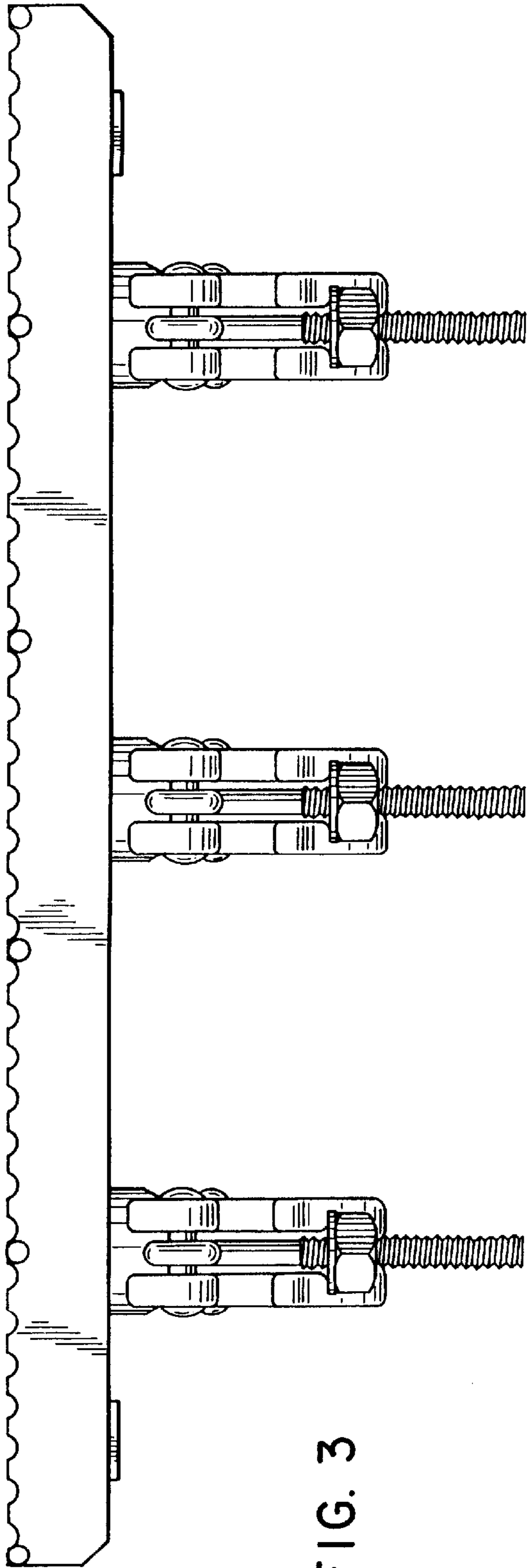


FIG. 3

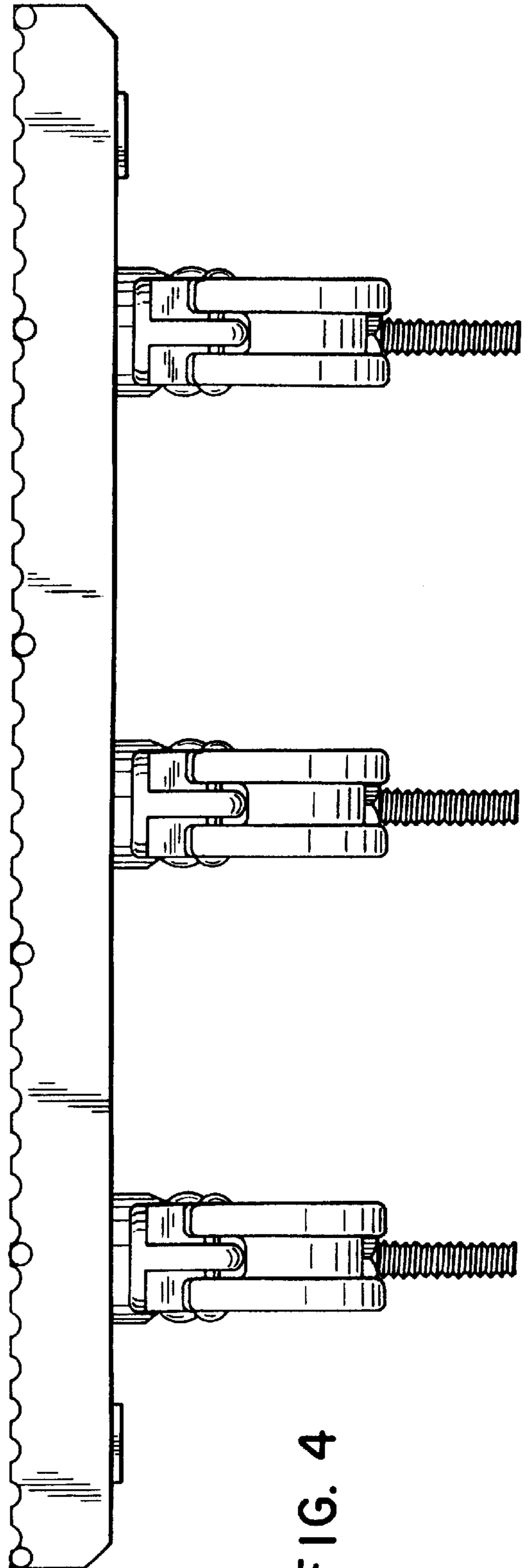


FIG. 4

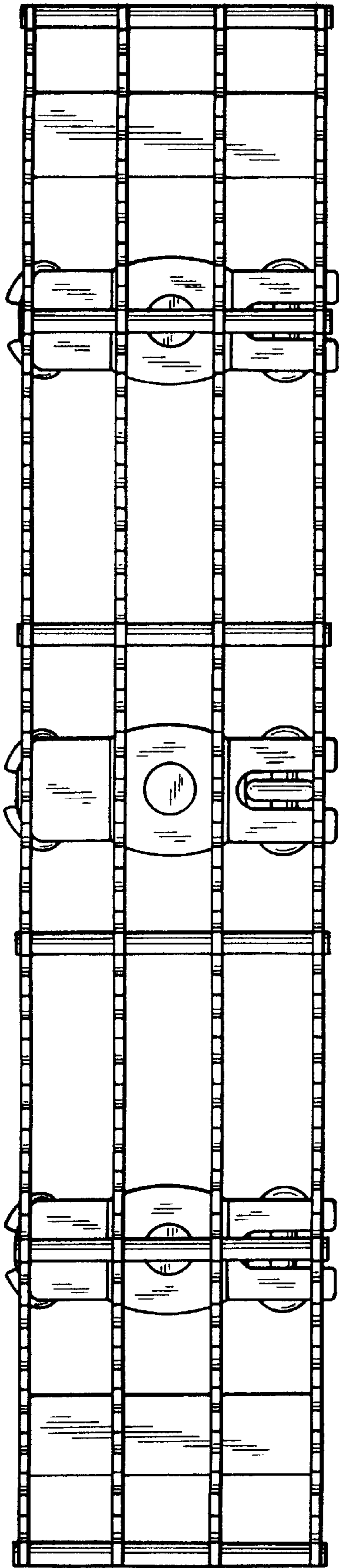


FIG. 5

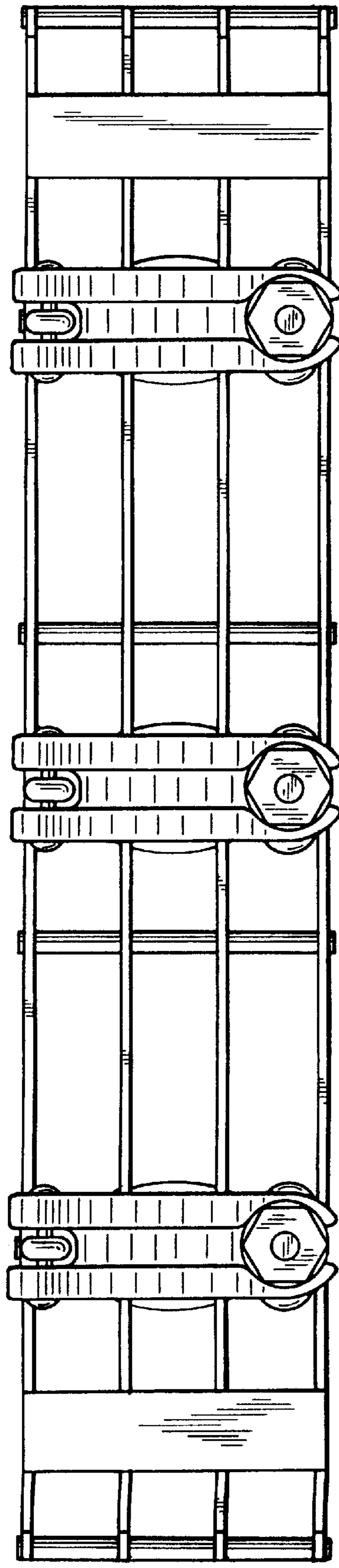


FIG. 6