



US00D412753S

United States Patent [19]

Colson et al.

[11] Patent Number: Des. 412,753

[45] Date of Patent: ** Aug. 10, 1999

[54] **BOTTOM RAIL FOR A COVERING FOR ARCHITECTURAL OPENINGS**

5,320,154 6/1994 Colson et al. .
5,826,638 10/1998 Jelic 160/107

[75] Inventors: **Wendell B. Colson**, Weston, Mass.;
James W. Schreiber, Englewood, Colo.

FOREIGN PATENT DOCUMENTS

2304809 8/1974 Germany .

[73] Assignee: **Hunter Douglas Inc.**, Upper Saddle River, N.J.

Primary Examiner—Doris Clark
Attorney, Agent, or Firm—Dorsey & Whitney LLP

[**] Term: **14 Years**

[57] CLAIM

[21] Appl. No.: **29/089,762**

We claim the ornamental design for a bottom rail for a covering for architectural openings, as shown and described.

[22] Filed: **Jun. 22, 1998**

DESCRIPTION

[51] **LOC (6) Cl.** **25-02**

FIG. 1 is a perspective view of the bottom rail for a covering for architectural openings.

[52] **U.S. Cl.** **D25/49**

FIG. 2 is a right end elevation thereof.

[58] **Field of Search** D25/164, 49; 52/473,

FIG. 3 is a top plan view thereof.

52/211, 212; 49/79.1, 107

FIG. 4 is a right side elevation with the left side elevation being identical.

[56] References Cited

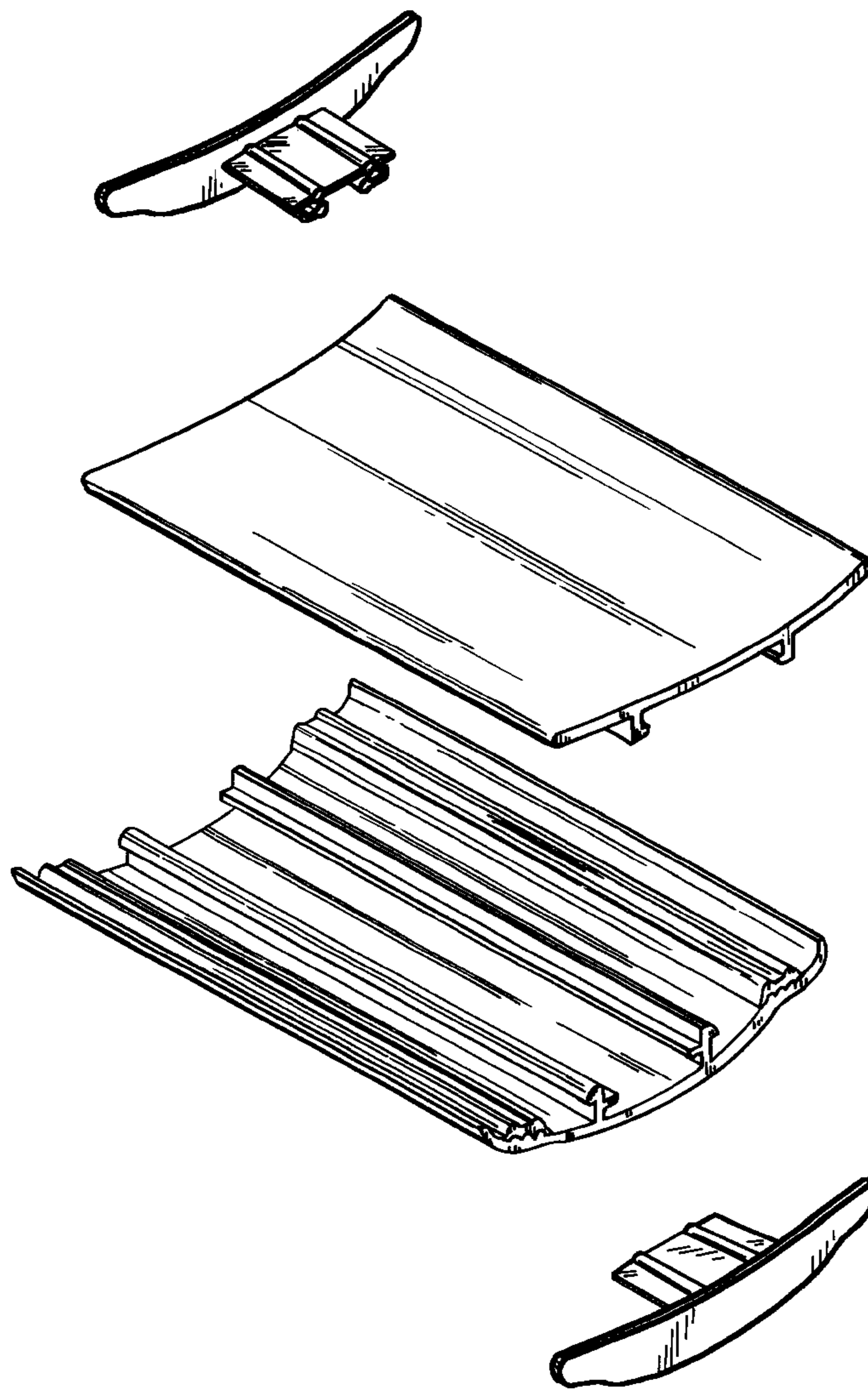
U.S. PATENT DOCUMENTS

D. 220,757 5/1971 Smith D25/49
2,029,675 2/1936 Schlamp .

FIG. 5 is a bottom plan view thereof; and,

FIG. 6 is an exploded isometric view thereof.

1 Claim, 2 Drawing Sheets



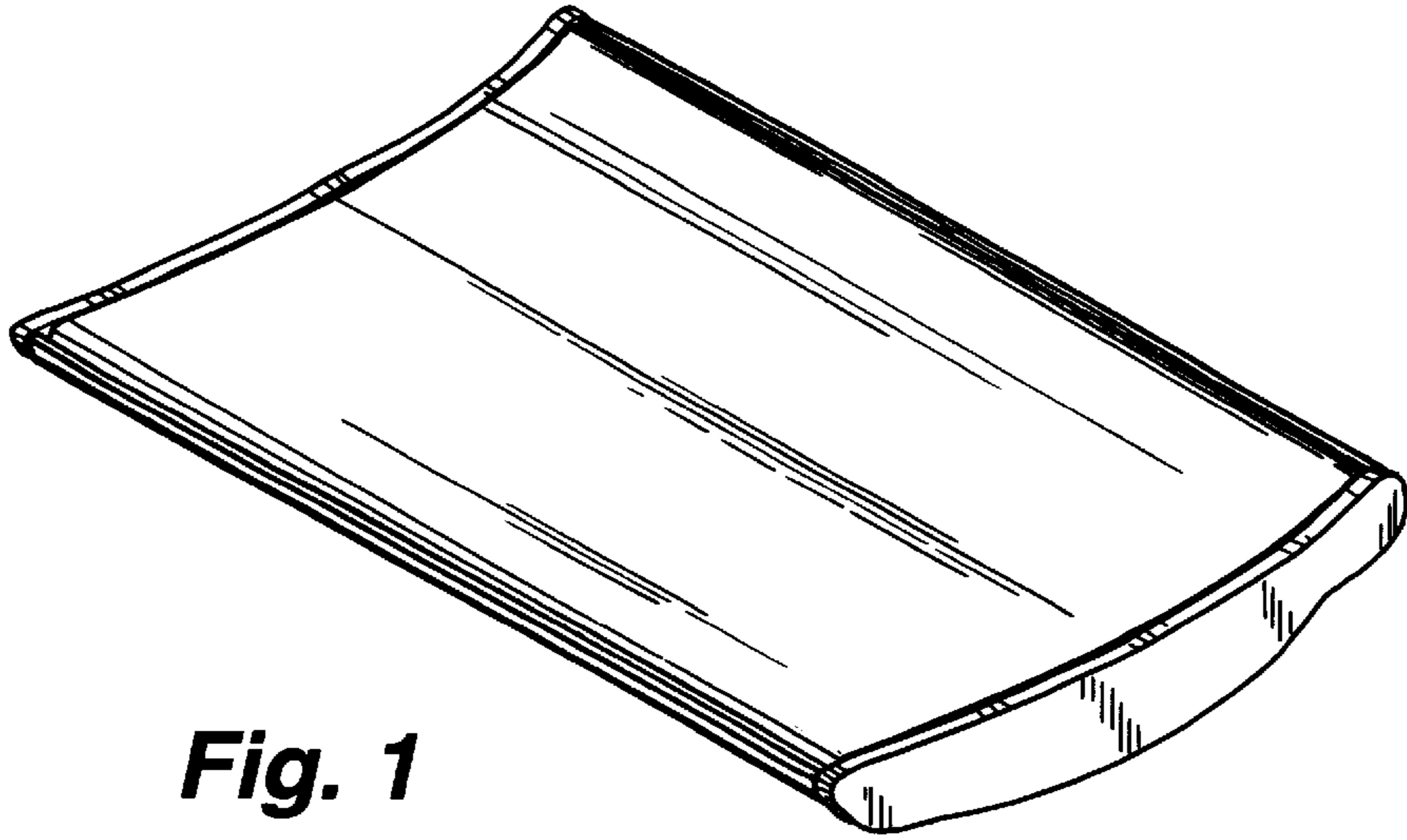


Fig. 1

Fig. 2

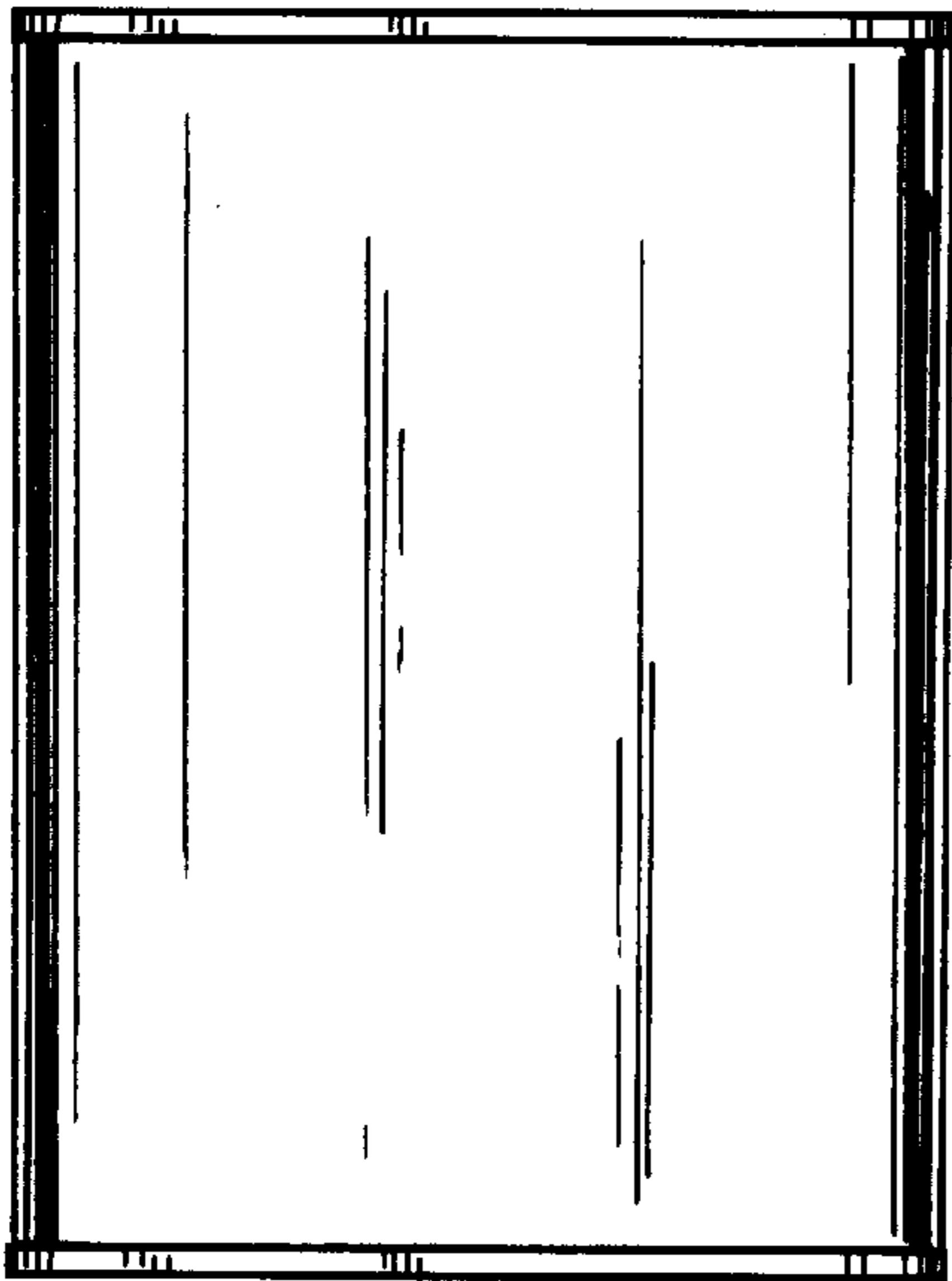


Fig. 3



Fig. 4

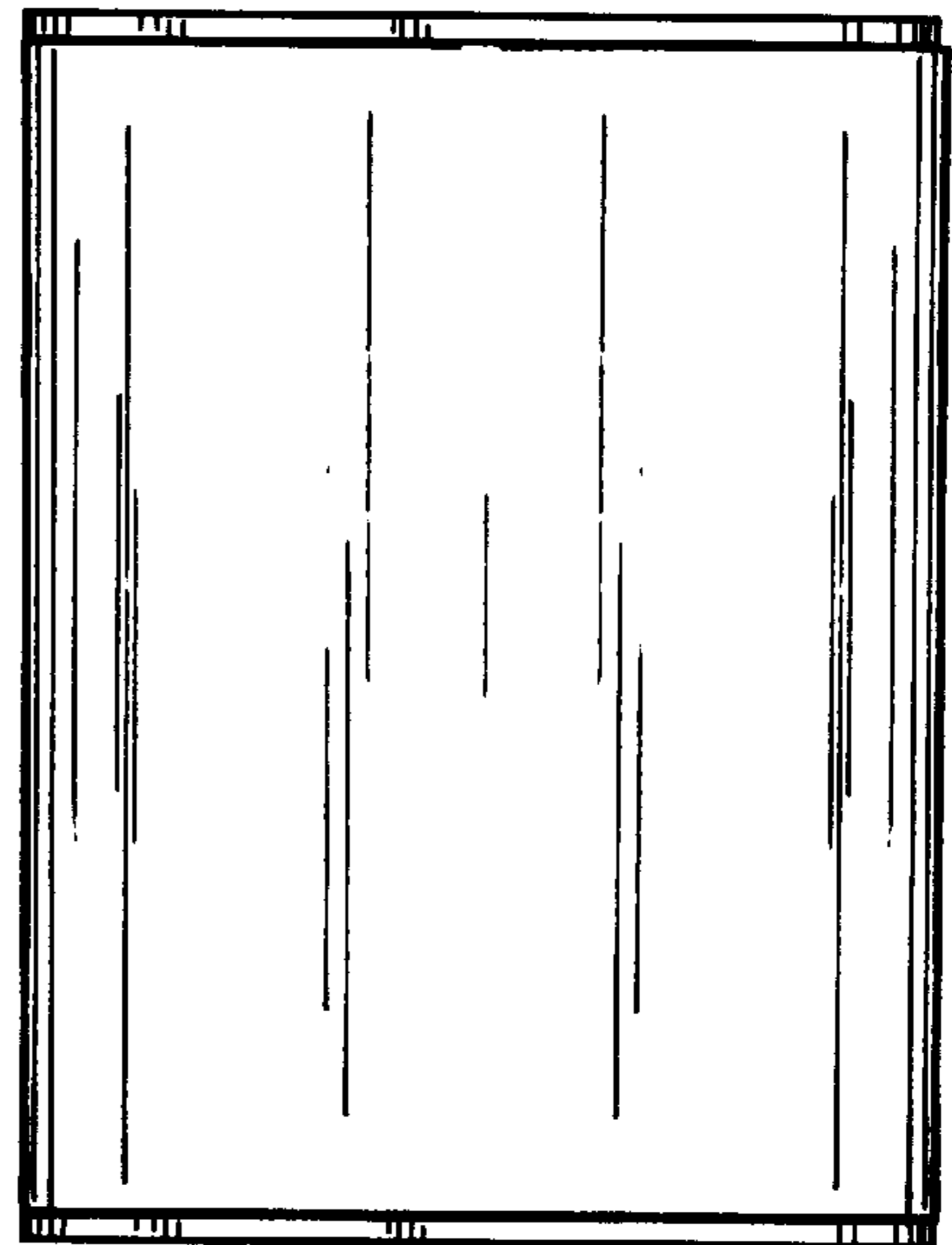


Fig. 5

Fig. 6

