



US00D412749S

United States Patent [19]

[11] **Patent Number: Des. 412,749**

Myers et al.

[45] **Date of Patent: ** Aug. 10, 1999**

[54] **RECTAL SENSOR**

[76] Inventors: **Harold Myers**, 5637 McLynn Ave., Montreal, Que., Canada, H3X 2P9; **Nigel Verity**, 6 Rocky Creek Trail, Ormond Beach, Fla. 32174; **Barbara Woolner**, 5821 Warwick Cir., La Palma, Calif. 90623

D. 384,412	9/1997	Mainiero	D24/135
1,547,127	7/1925	Metzger	606/197
1,629,119	5/1927	Reitz	606/197
5,117,840	6/1992	Brenman et al.	607/138
5,385,577	1/1995	Maurer et al.	607/138 X
5,787,892	8/1998	Dabney	606/197 X
5,800,501	9/1998	Shelock	607/138

[**] Term: **14 Years**

Primary Examiner—Stella Reid
Assistant Examiner—I Simmons

[21] Appl. No.: **29/069,027**

[57] **CLAIM**

[22] Filed: **Apr. 25, 1997**

The ornamental design for a rectal sensor, as shown.

[51] **LOC (6) Cl.** **24-02**

DESCRIPTION

[52] **U.S. Cl.** **D24/187; D24/135**

FIG. 1 is a front view of a rectal sensor showing our new design;
FIG. 2 is a rear view thereof;
FIG. 3 is a right side view thereof;
FIG. 4 is a left side view thereof;
FIG. 5 is a top view thereof; and,
FIG. 6 is a bottom view thereof.

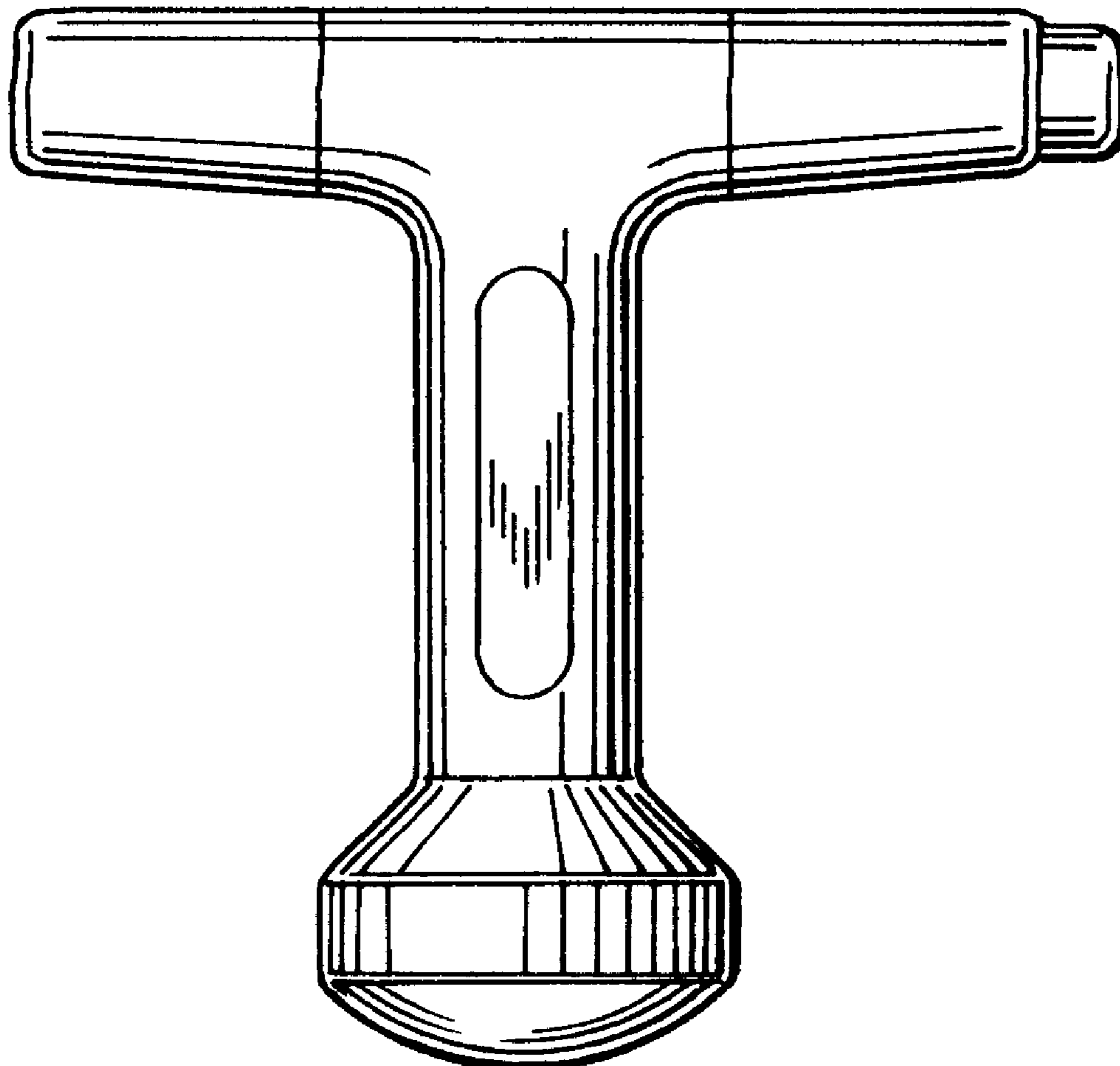
[58] **Field of Search** D24/135, 170,
D24/185, 187, 188; 606/197, 138, 143;
128/730

[56] **References Cited**

U.S. PATENT DOCUMENTS

D. 371,200 6/1996 Maurer et al. D24/187

1 Claim, 1 Drawing Sheet



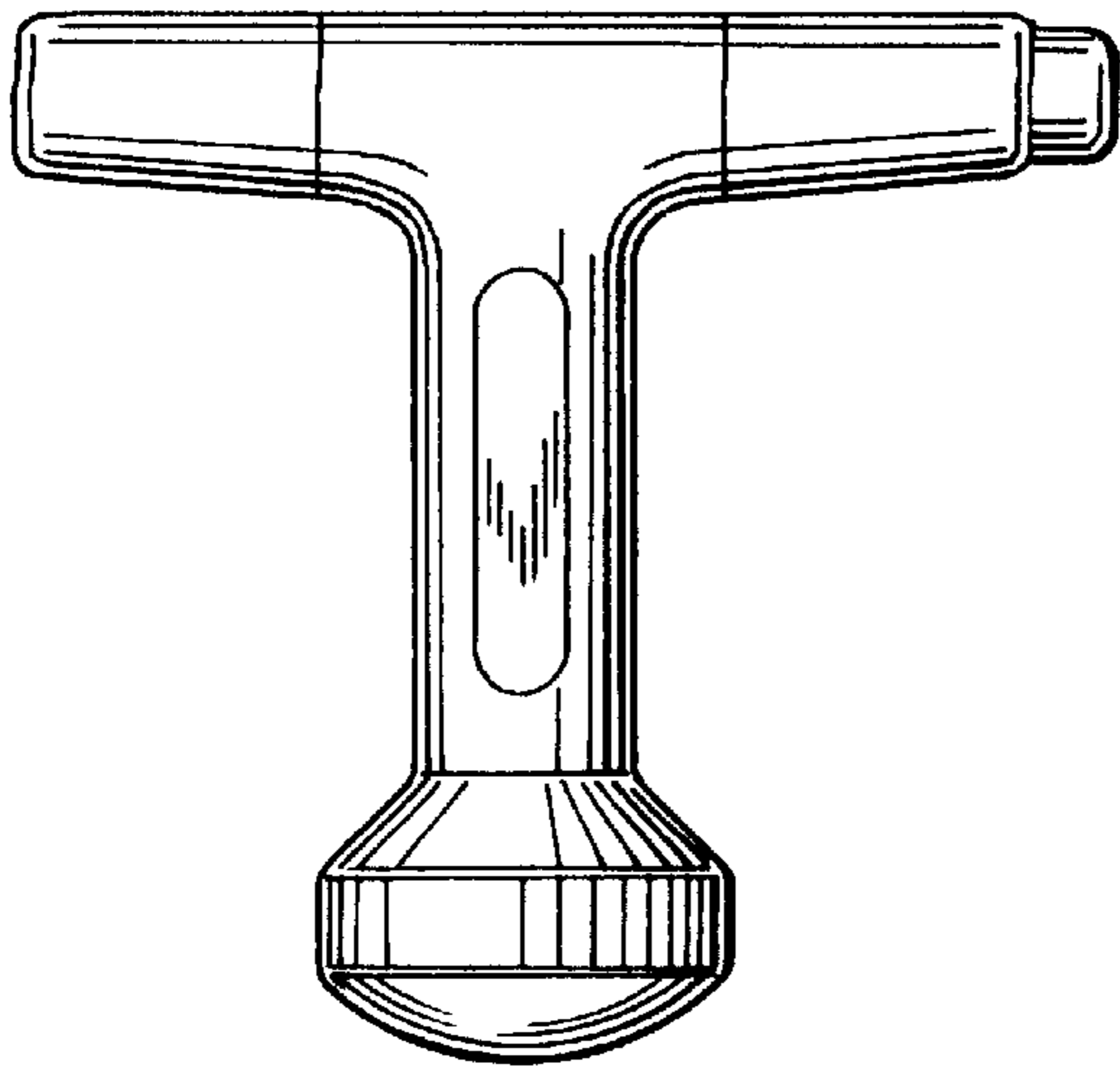


FIG. 1

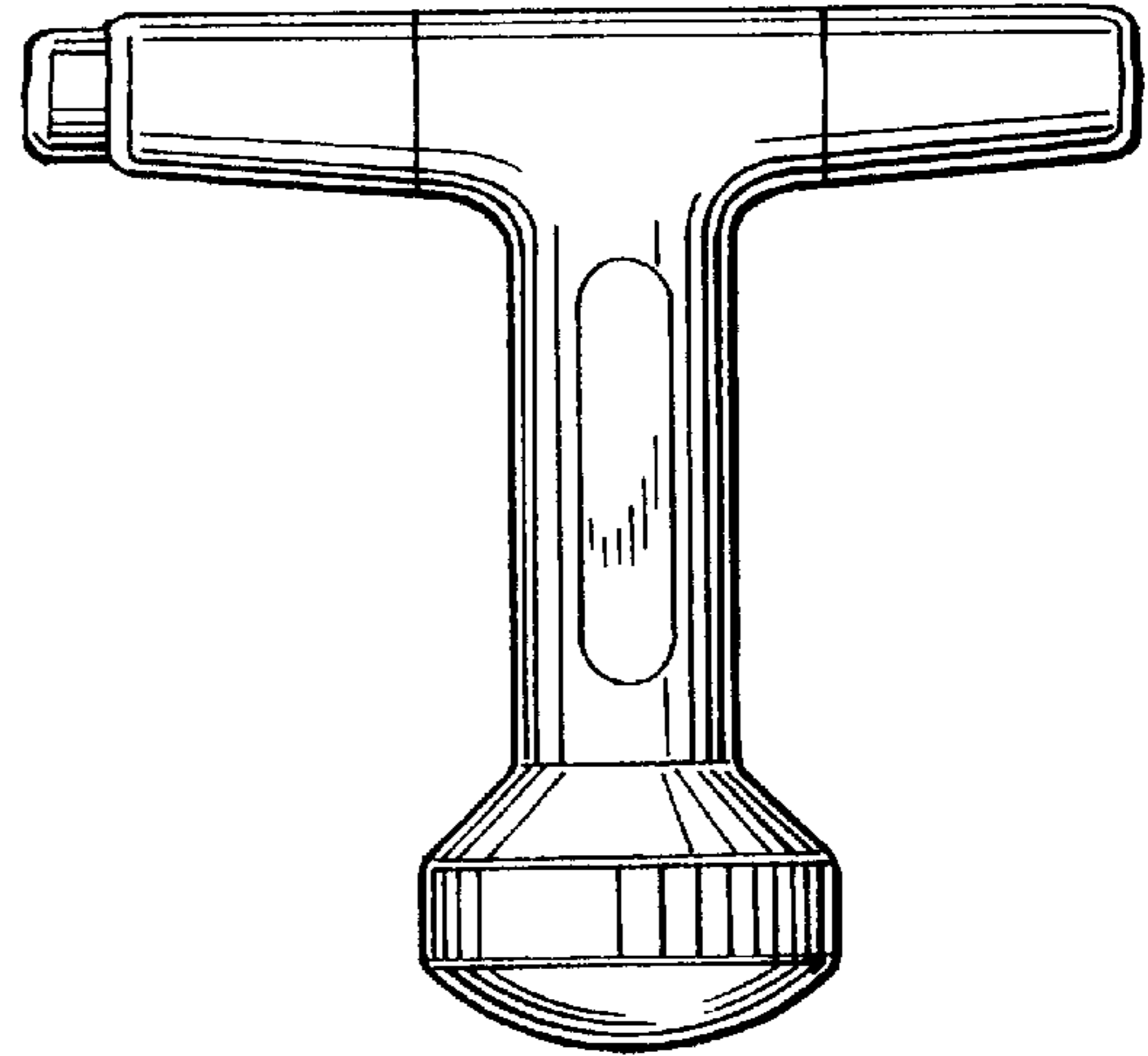


FIG. 2

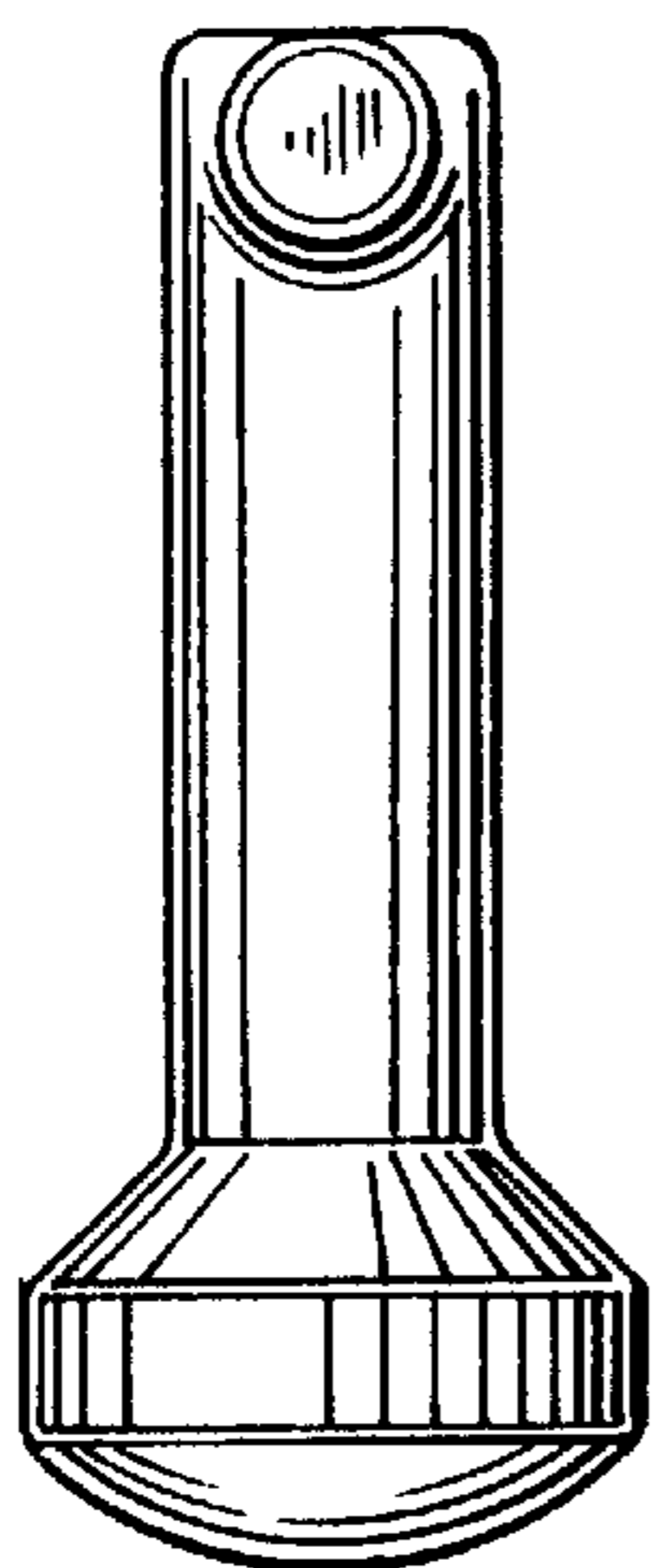


FIG. 3

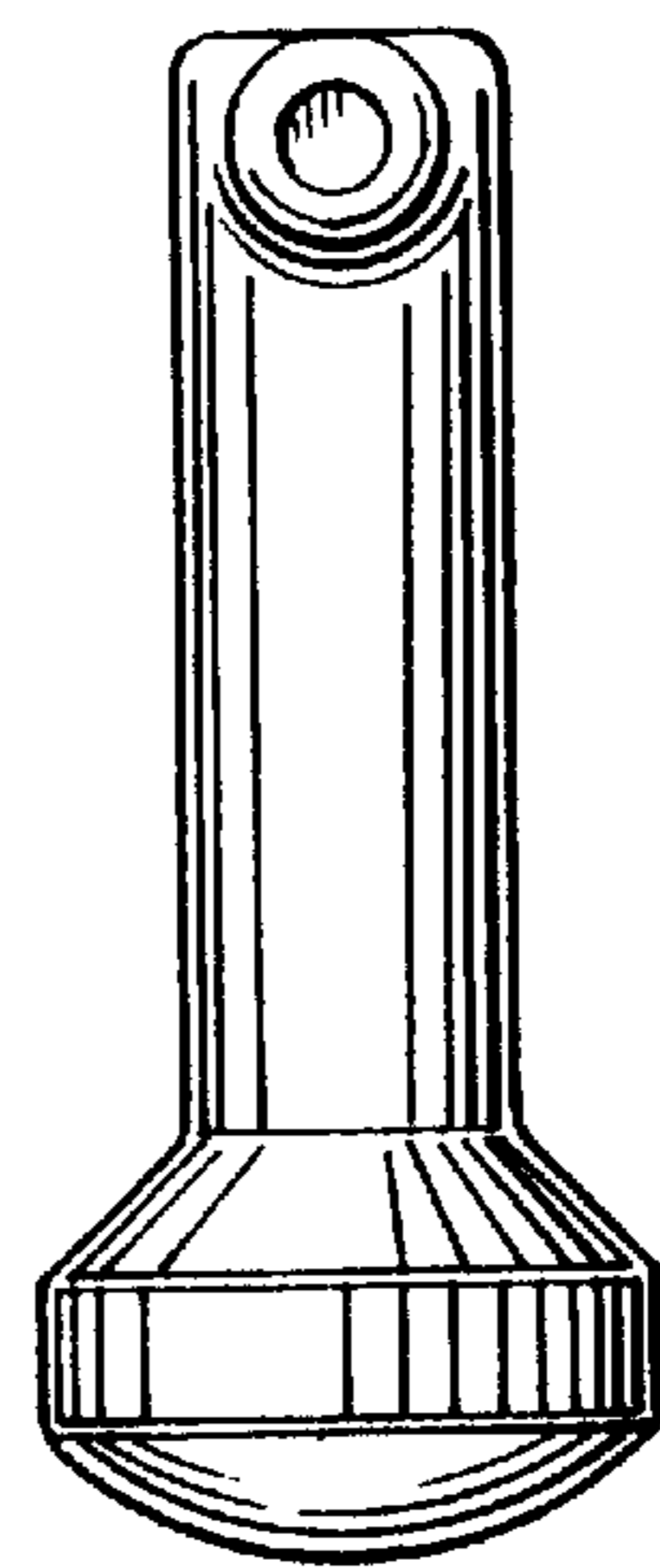


FIG. 4

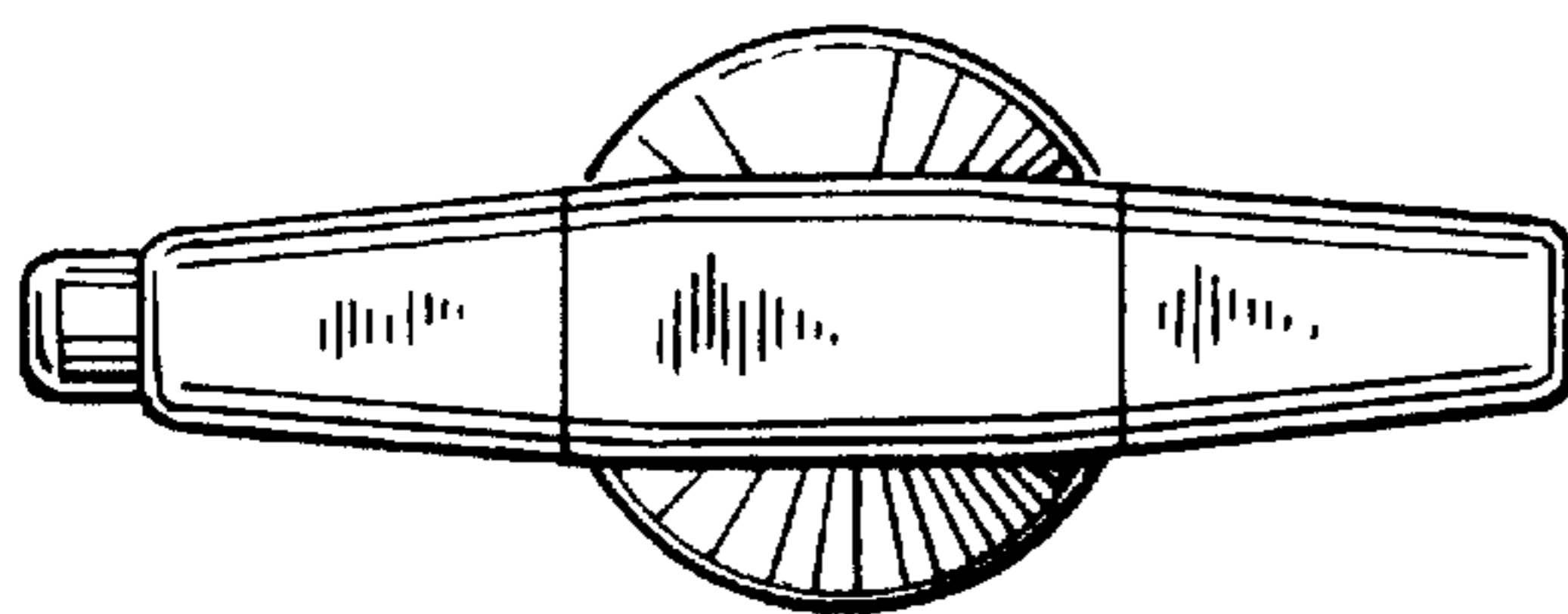


FIG. 5

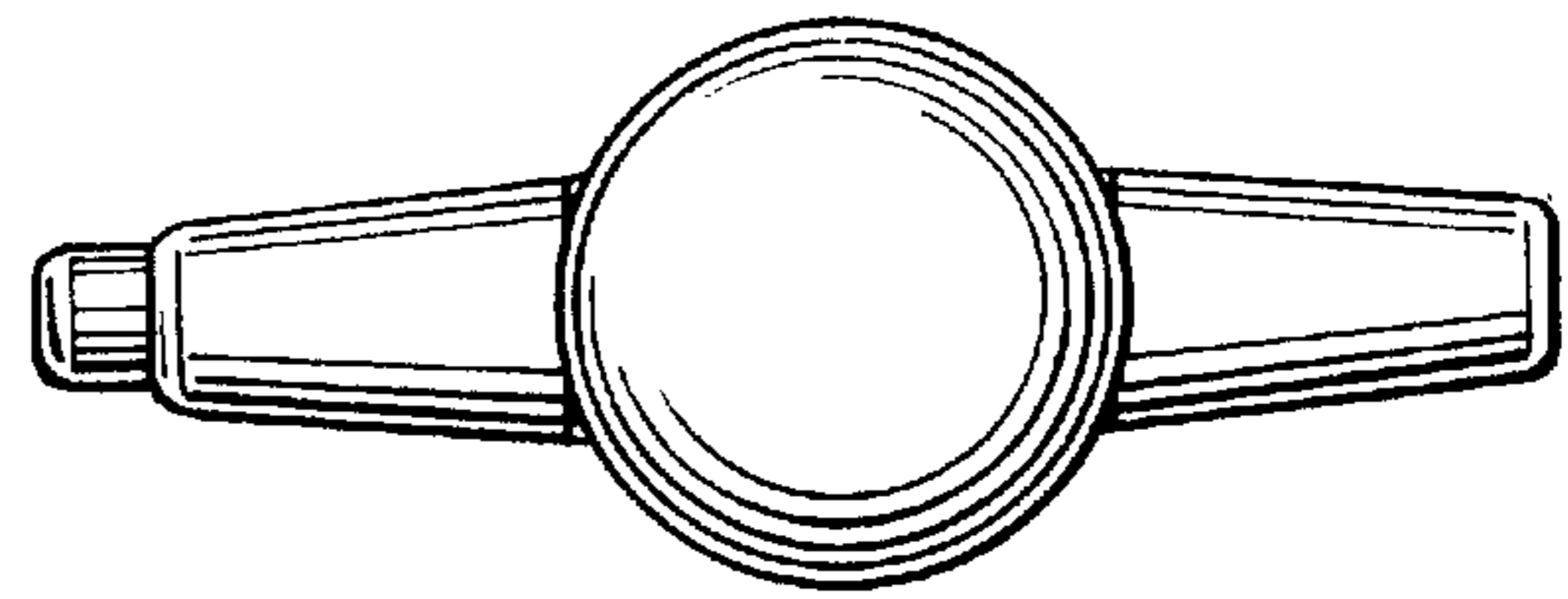


FIG. 6