



US00D412745S

United States Patent [19]
Scheu

[11] **Patent Number: Des. 412,745**

[45] **Date of Patent: ** Aug. 10, 1999**

[54] **NASAL MASK**

5,746,201 5/1998 Kidd 128/206.24

[76] **Inventor: Rolf Rainer Scheu, Im Eichwäldchen
24, D60488 Frankfurt, Germany**

Primary Examiner—Stella Reid
Assistant Examiner—I Simmons
Attorney, Agent, or Firm—Antonelli, Terry, Stout & Kraus,
LLP

[**] **Term: 14 Years**

[21] **Appl. No.: 29/084,400**

[57] **CLAIM**

[22] **Filed: Mar. 3, 1998**

The ornamental design for a nasal mask, as shown and described.

[30] **Foreign Application Priority Data**

DESCRIPTION

Sep. 17, 1997 [DE] Germany M 97 08 680

[51] **LOC (6) Cl. 29-02**

[52] **U.S. Cl. D24/110.4**

[58] **Field of Search D24/110.1, 110.4,
D24/110.5; 128/206.18, 206.28, 207.13,
207.11, 207.17**

FIG. 1 is a perspective view of the nasal mask;
FIG. 2 is a front elevational view thereof;
FIG. 3 is a right side elevational view thereof, the left side
elevational view being a mirror image thereto;
FIG. 4 is a back elevational view thereof;
FIG. 5 is a top plan view thereof;
FIG. 6 is a bottom plan view thereof; and,
FIG. 7 is a perspective view thereof, the broken line showing
is for illustrative purposes only and forms no part of the
claimed design.

[56] **References Cited**

U.S. PATENT DOCUMENTS

D. 385,960 11/1997 Rudolph D24/110.4
5,676,133 10/1997 Hickie et al. 128/206.21

1 Claim, 2 Drawing Sheets

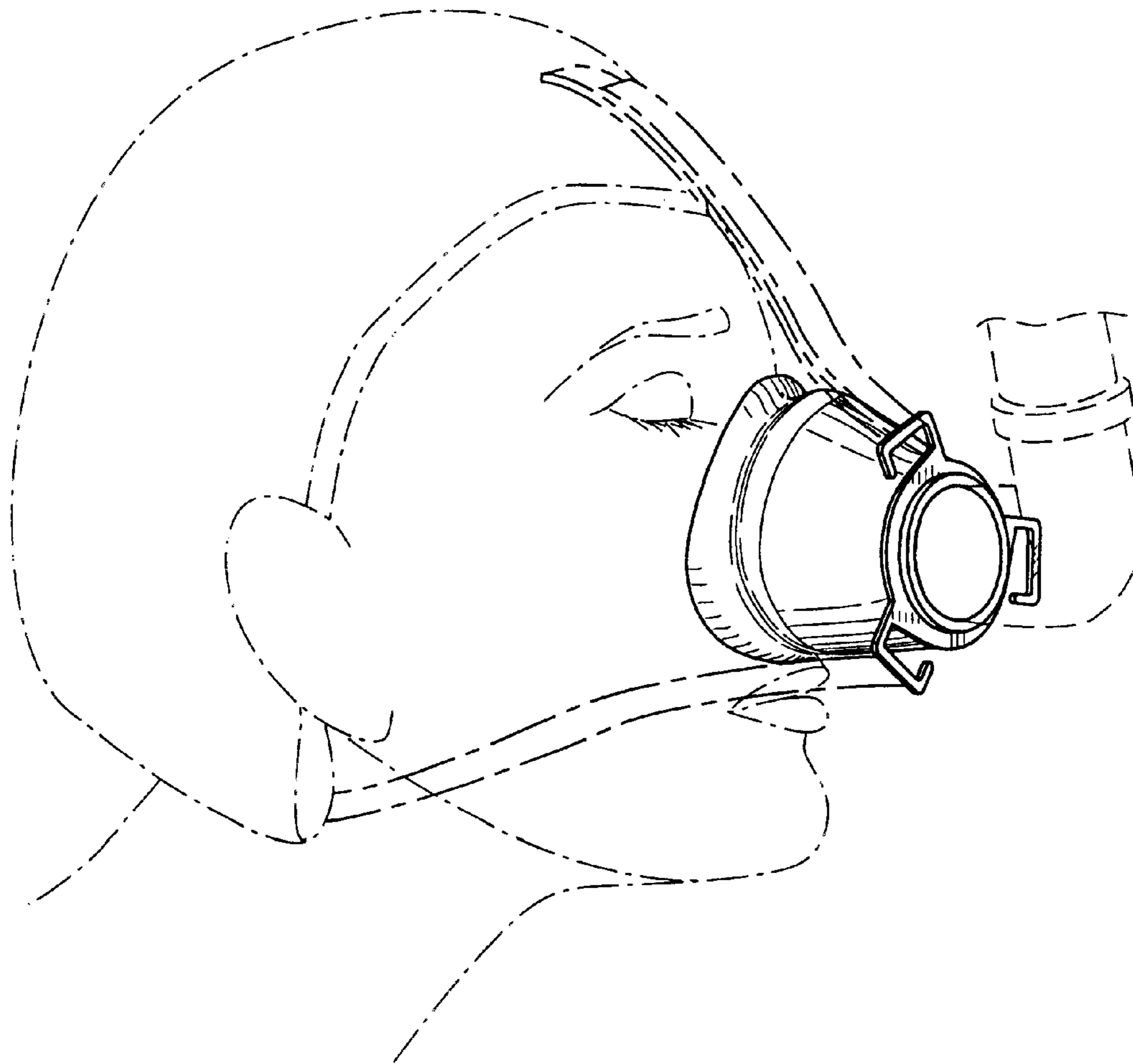


FIG. 1

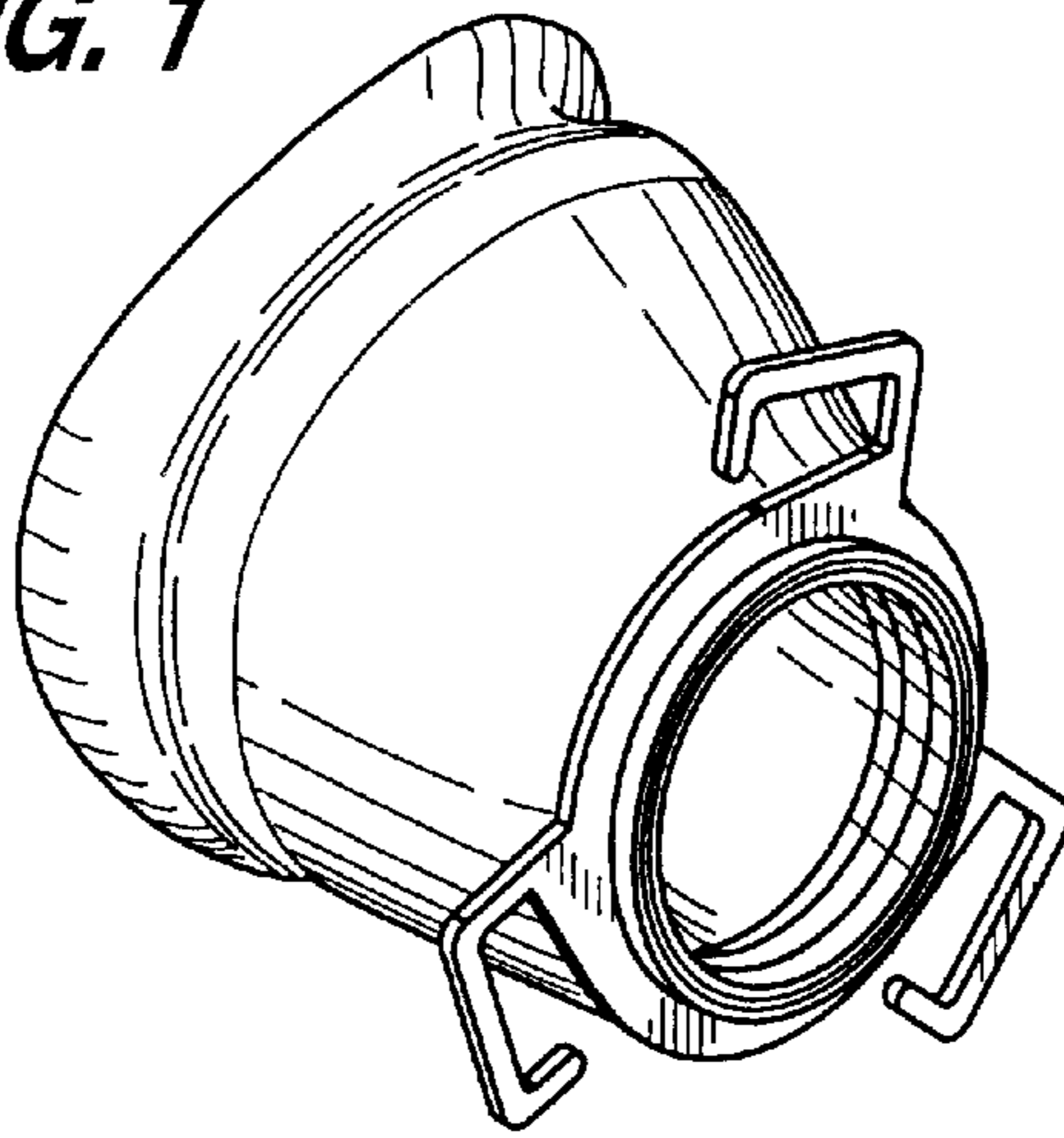


FIG. 7

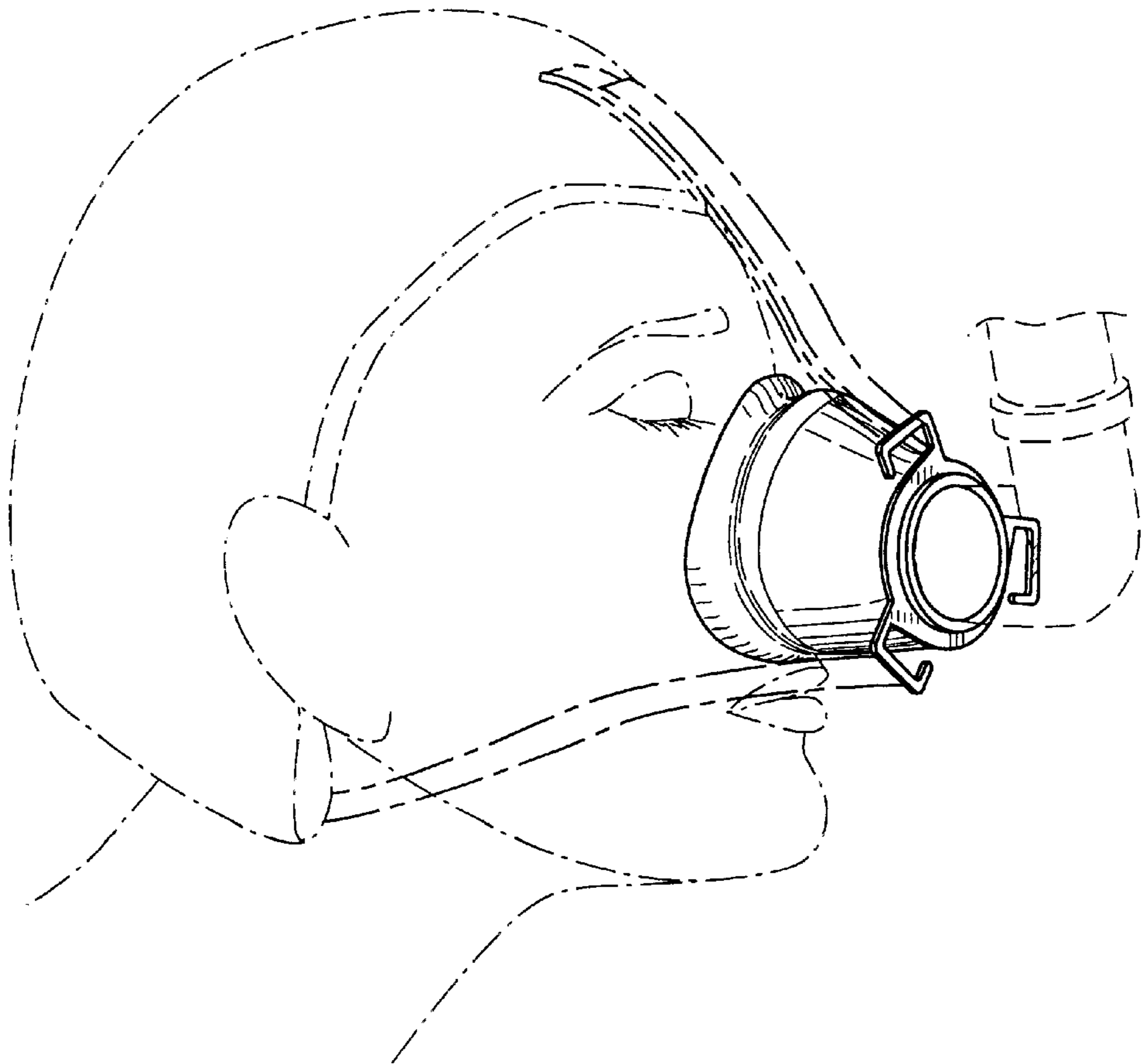


FIG. 2

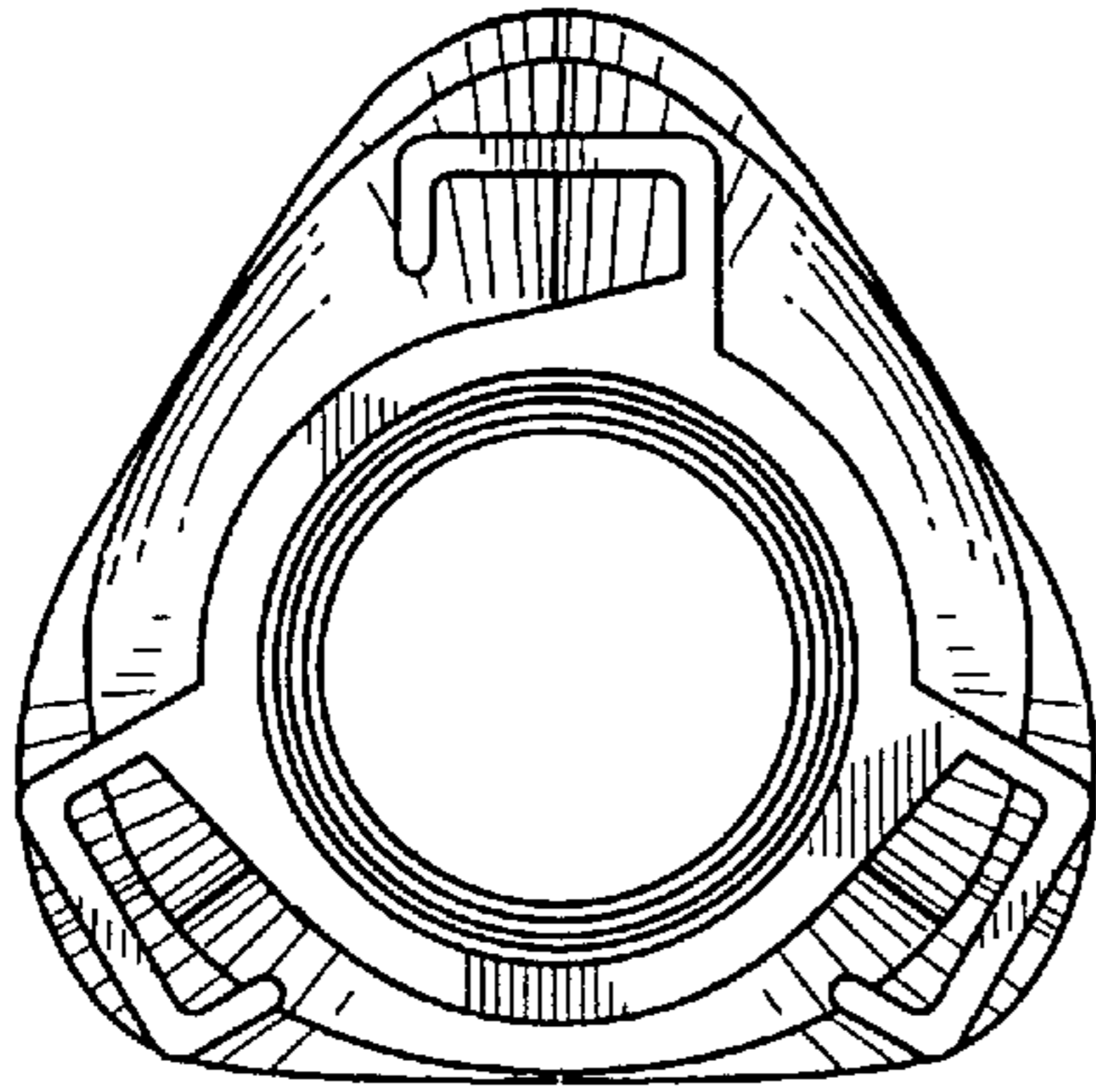


FIG. 3

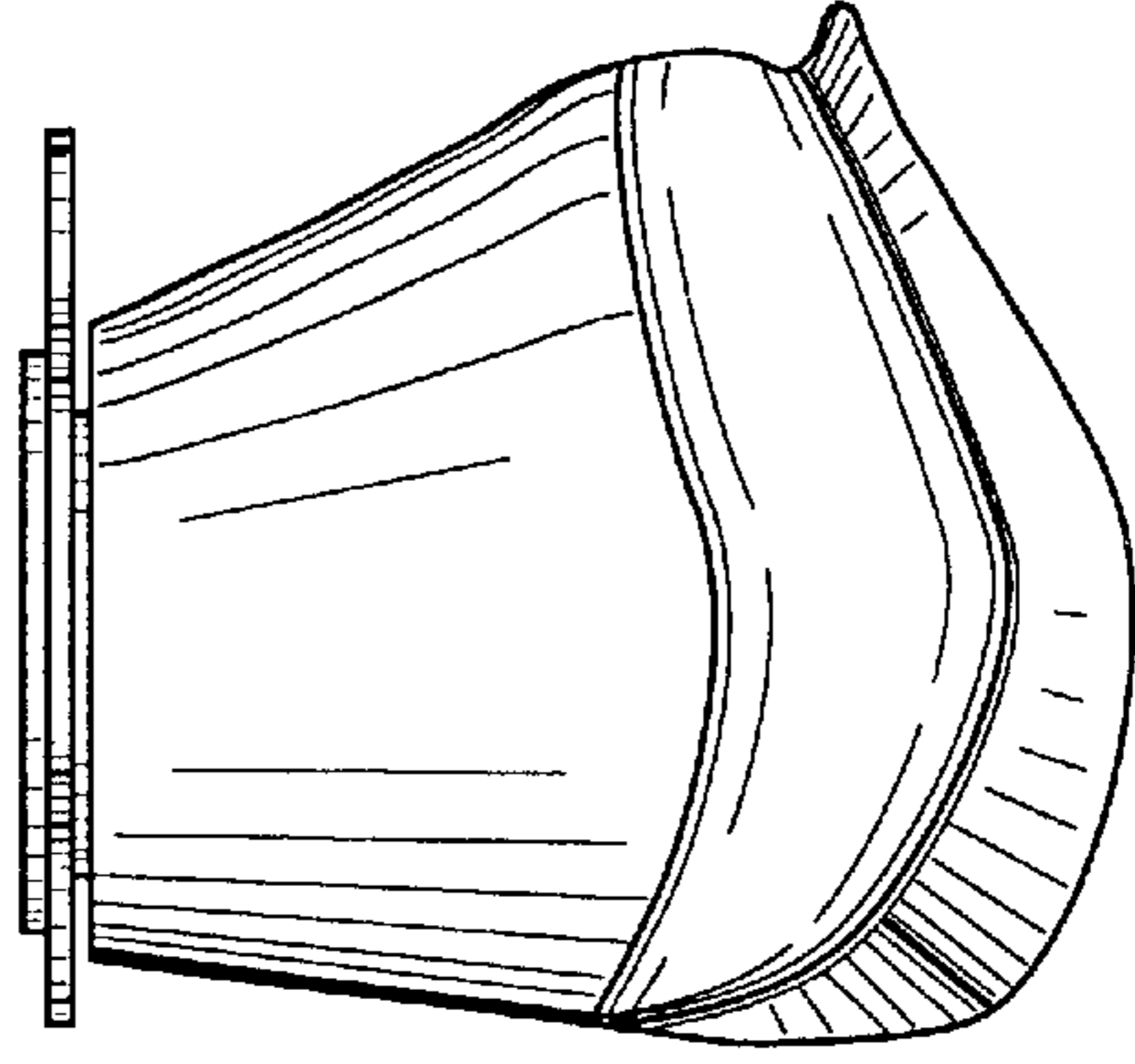


FIG. 4

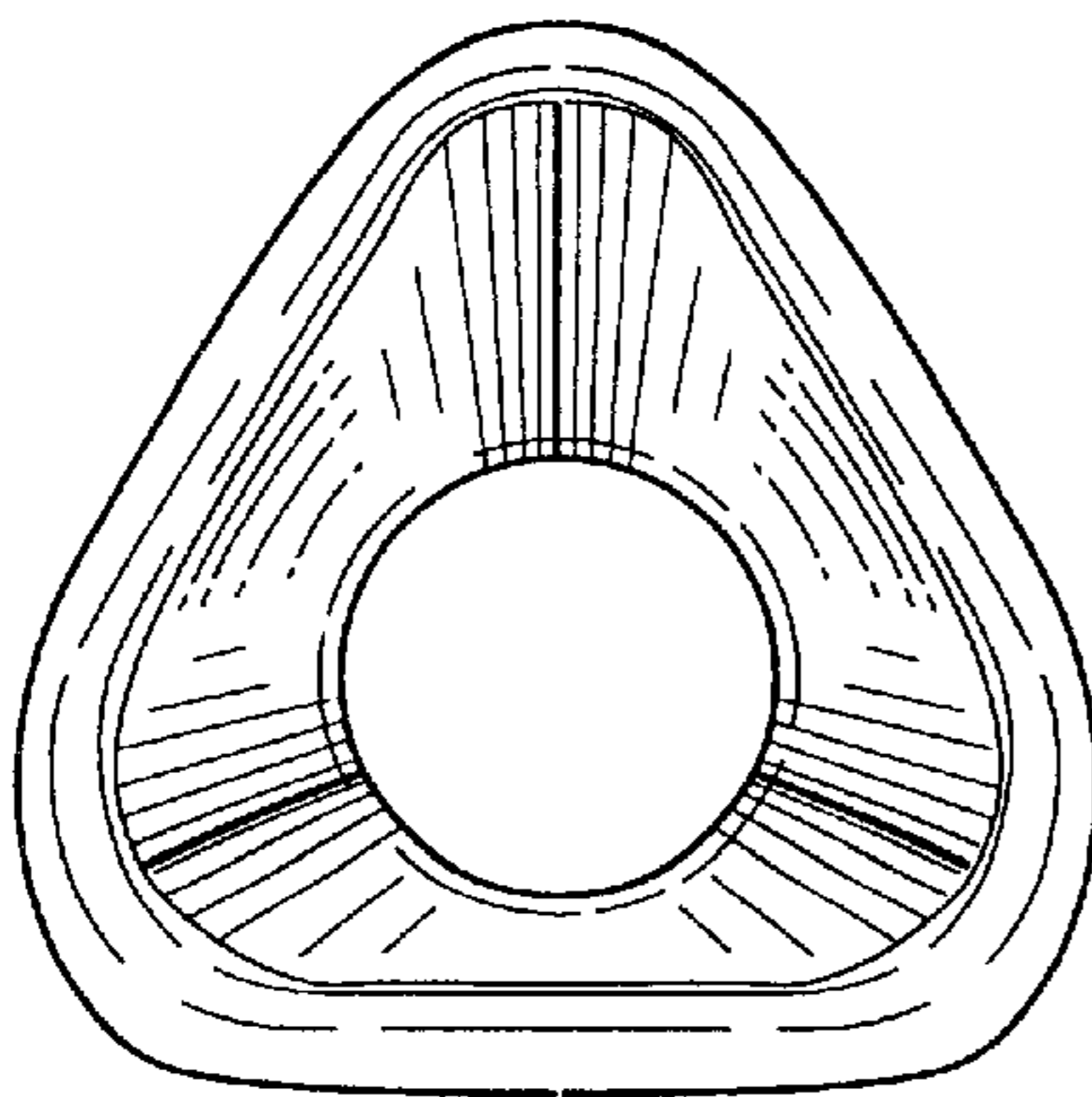


FIG. 5

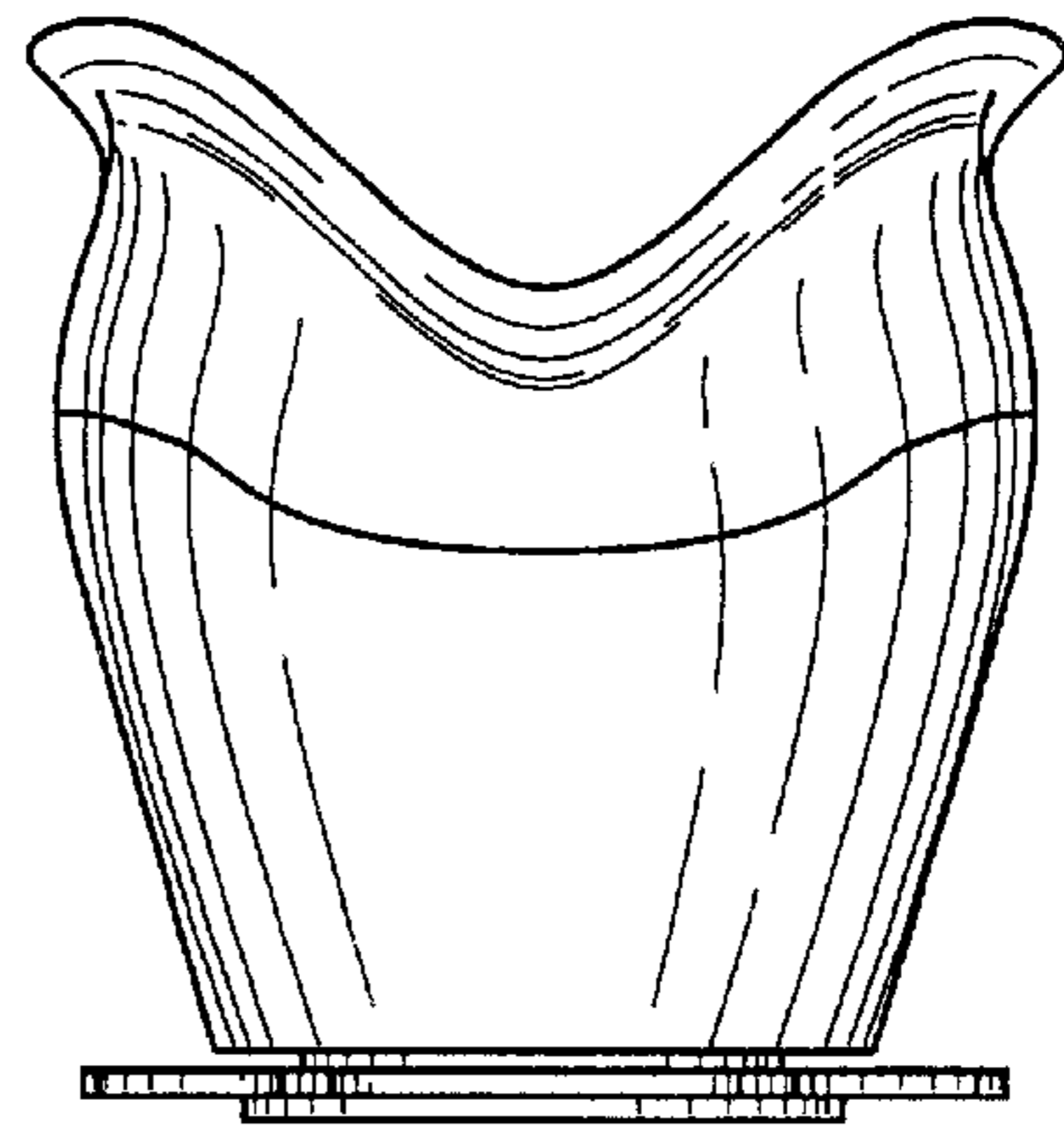


FIG. 6

