



US00D412743S

United States Patent [19]

Litvin et al.

[11] Patent Number: Des. 412,743

[45] Date of Patent: ** Aug. 10, 1999

[54] PEDESTAL FAN

5,411,373 5/1995 Chiu et al. 416/246

[75] Inventors: **Charles Litvin; William E. Lasko,**
both of West Chester; **Todd Grintz,**
Downingtown, all of Pa.

Primary Examiner—Lisa Lichtenstein
Attorney, Agent, or Firm—Zachary T. Wobensmith, III

[73] Assignee: **Lasko Holdings, Inc,** West Chester, Pa.

[57] **CLAIM**

[**] Term: **14 Years**

The ornamental design for a pedestal fan, as shown.

[21] Appl. No.: **29/085,651**

DESCRIPTION

[22] Filed: **Mar. 27, 1998**

FIG. 1 is a perspective of a pedestal fan showing my new design;

[51] **LOC (6) Cl.** **23-04**

FIG. 2 is a front elevational view thereof;

[52] **U.S. Cl.** **D23/378; D23/381; D23/382**

FIG. 3 is a right side elevational view thereof;

[58] **Field of Search** **D23/378, 381,**
D23/382; 416/246, 247, 244; 248/676

FIG. 4 is a left side elevational view thereof;

FIG. 5 is a rear elevational view thereof; and,

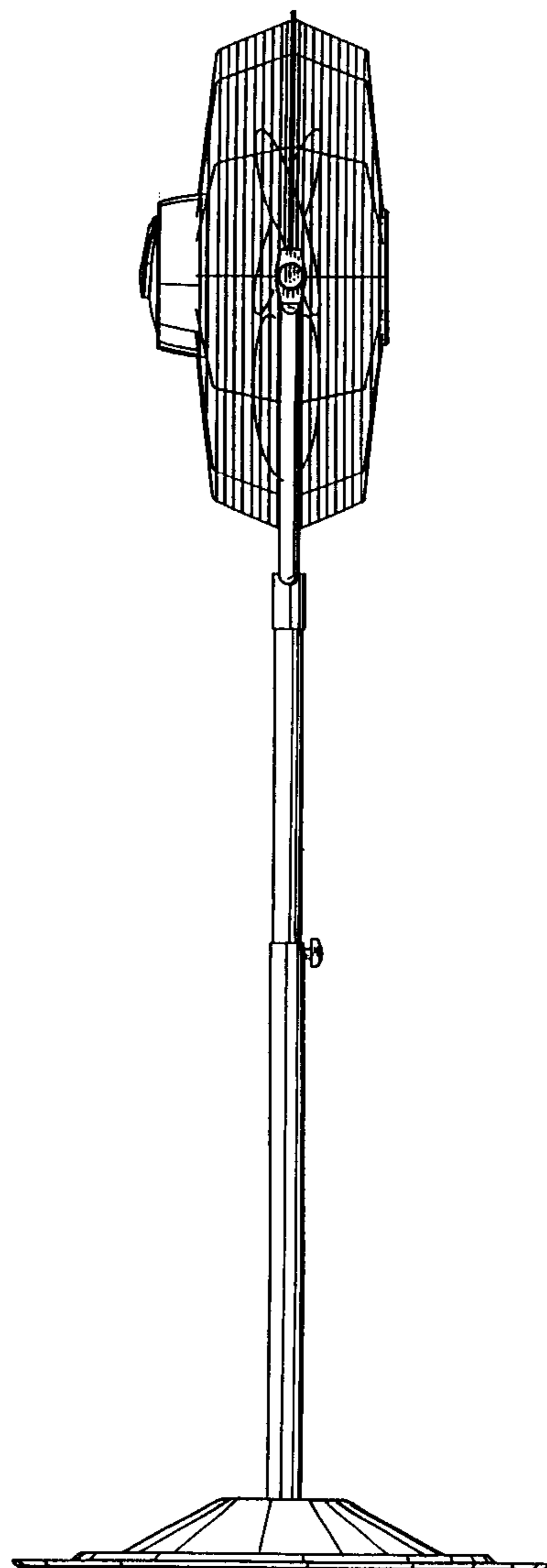
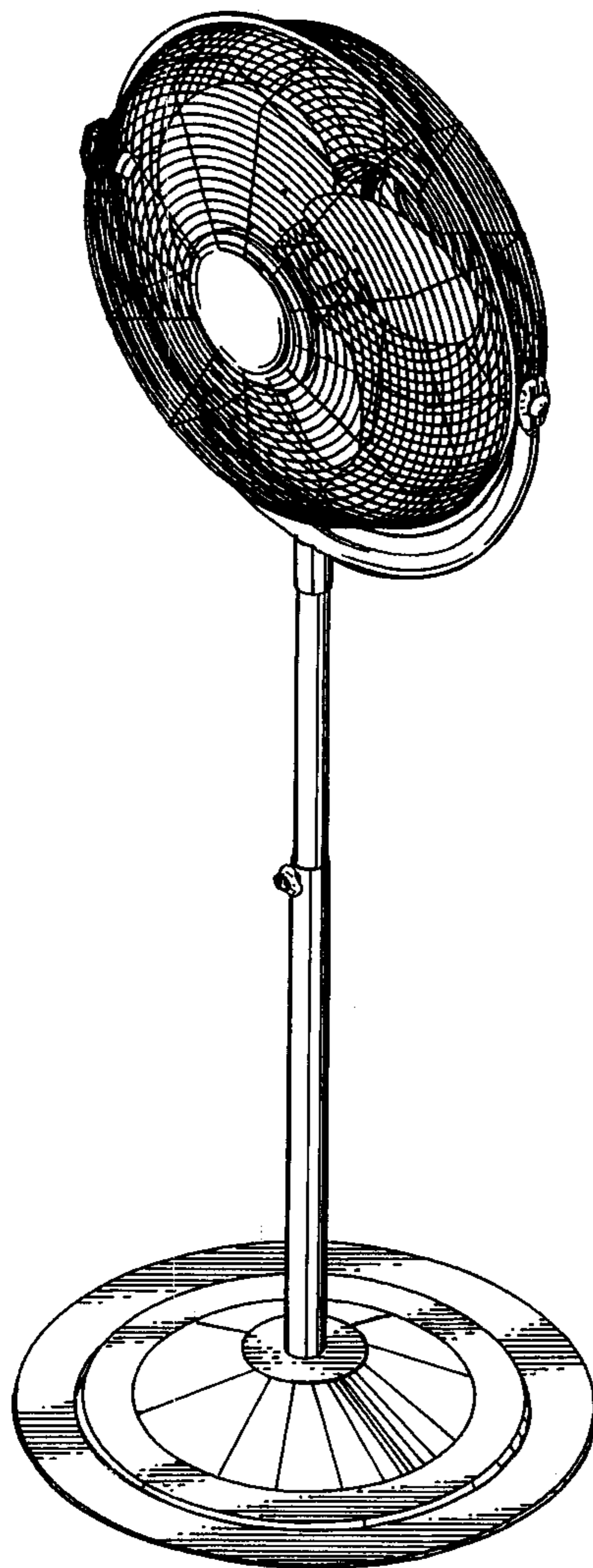
FIG. 6 is a top plan view thereof.

[56] **References Cited**

U.S. PATENT DOCUMENTS

2,618,434 11/1952 Farnsworth 416/247

1 Claim, 6 Drawing Sheets



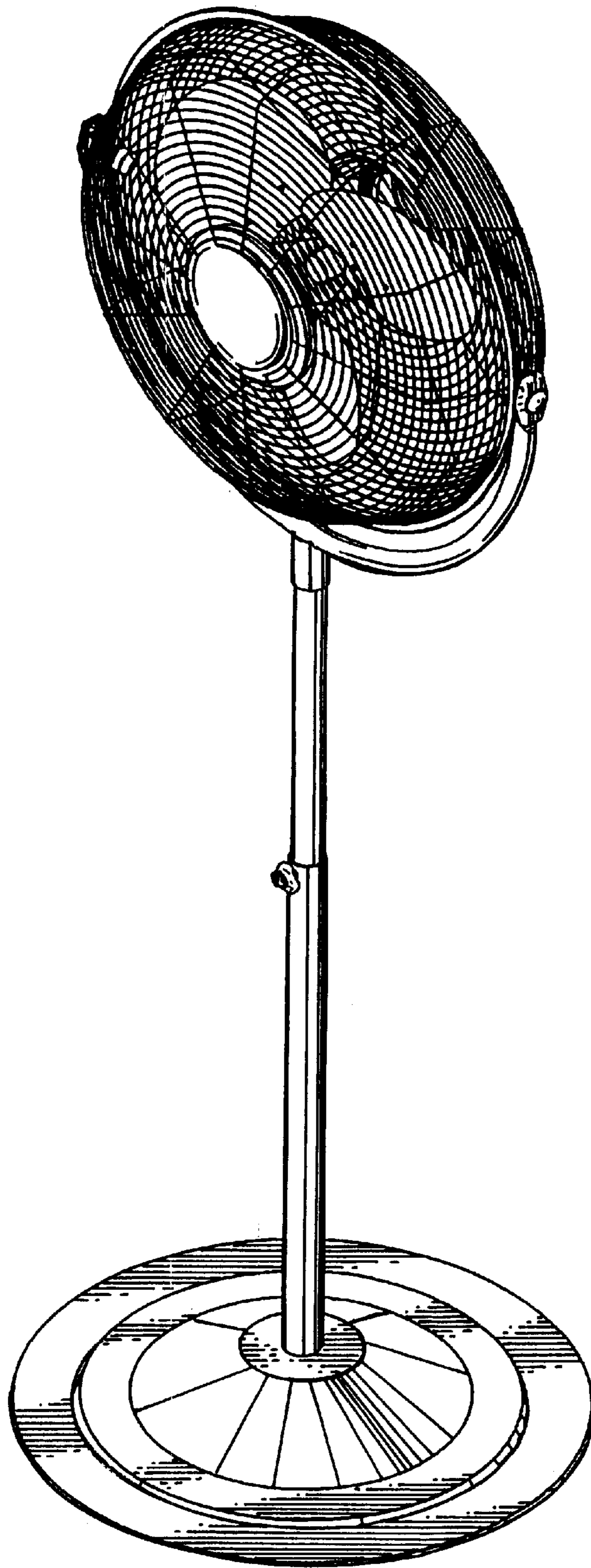


FIG. 1

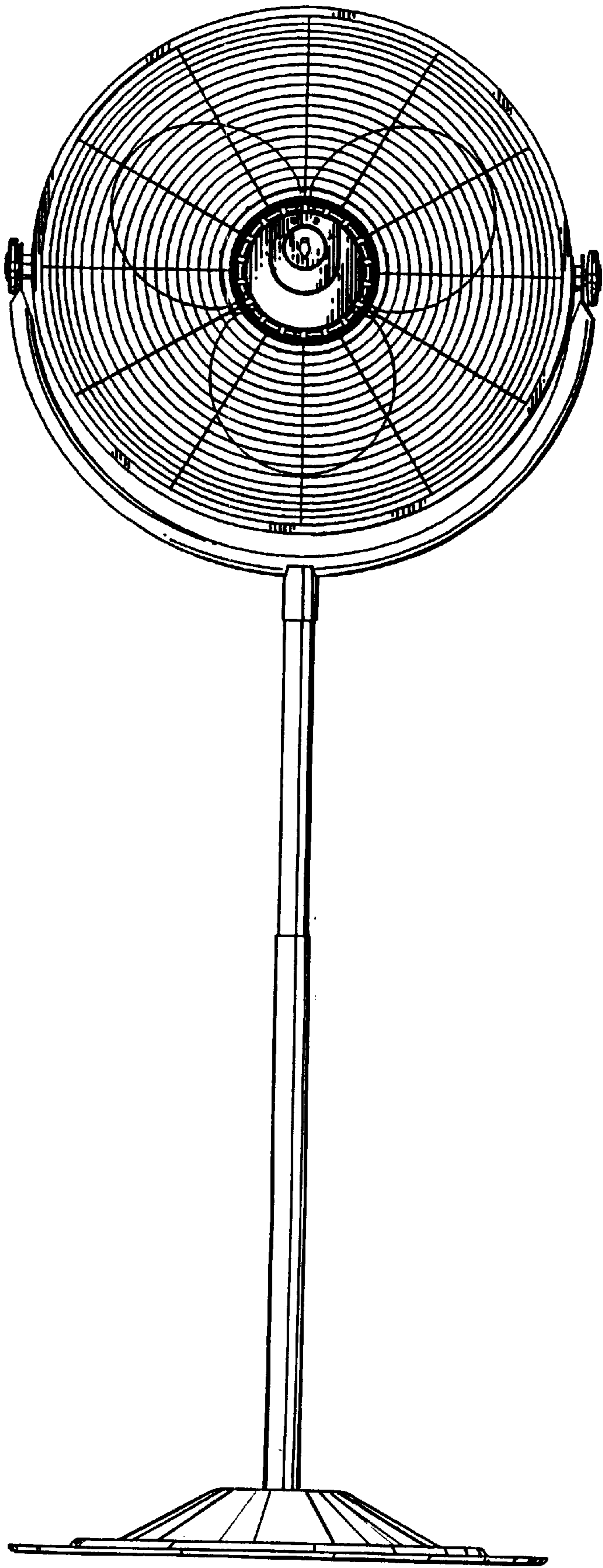


FIG. 2

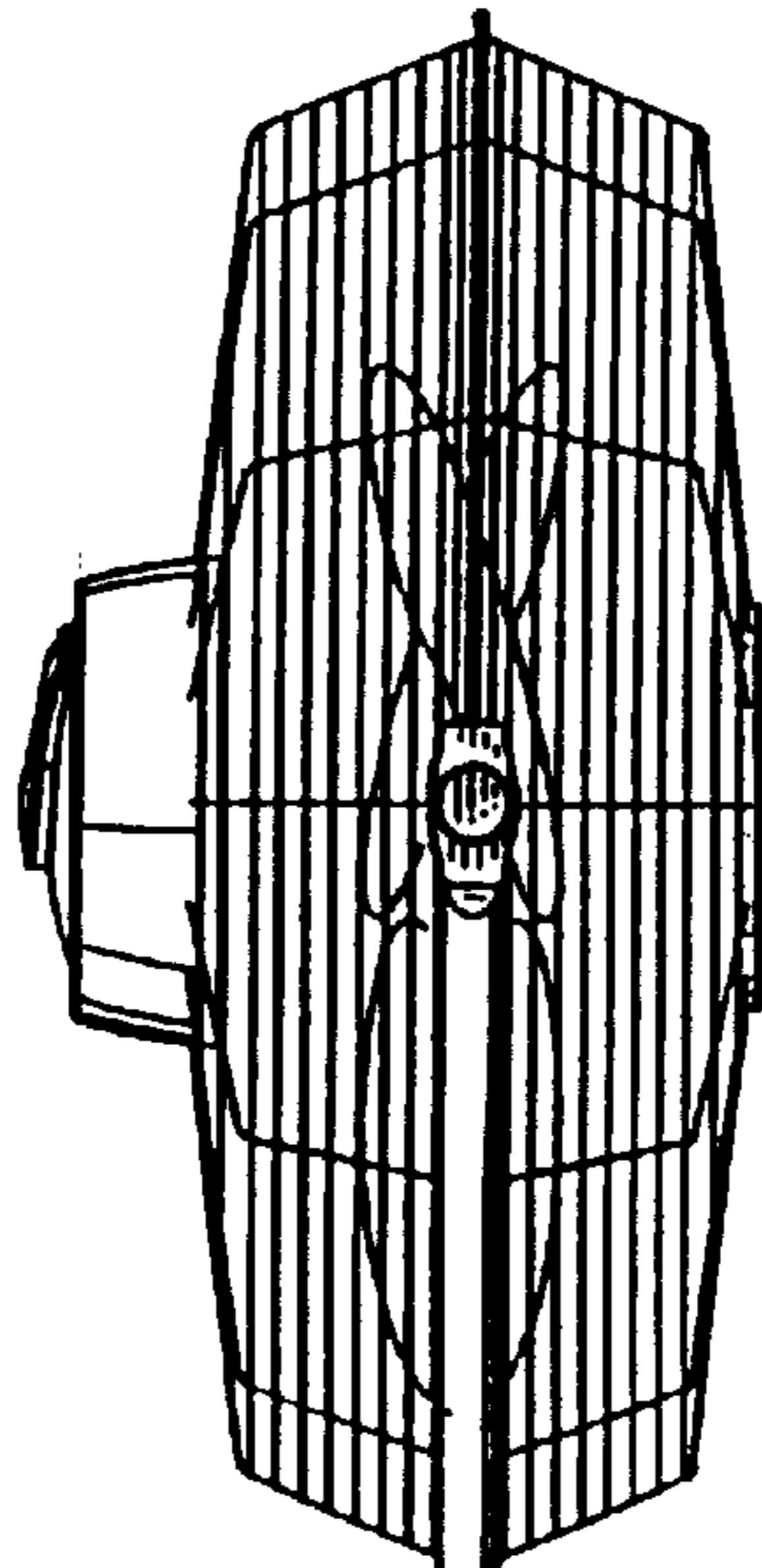


FIG. 3



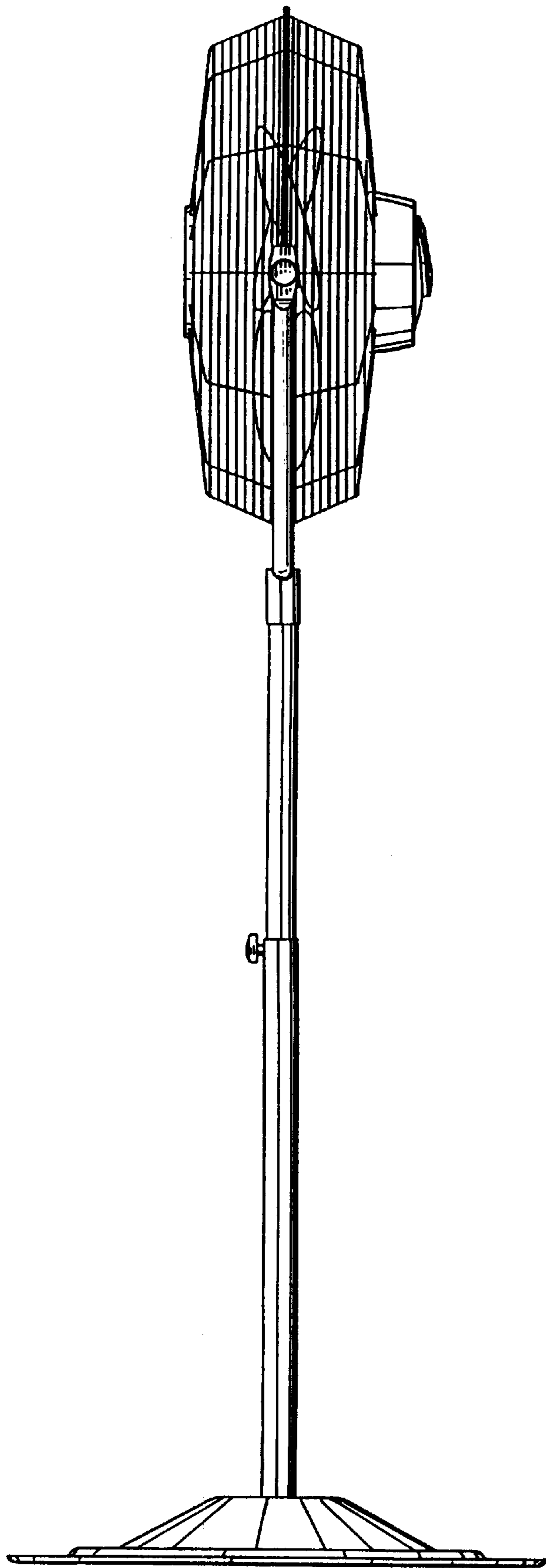


FIG. 4

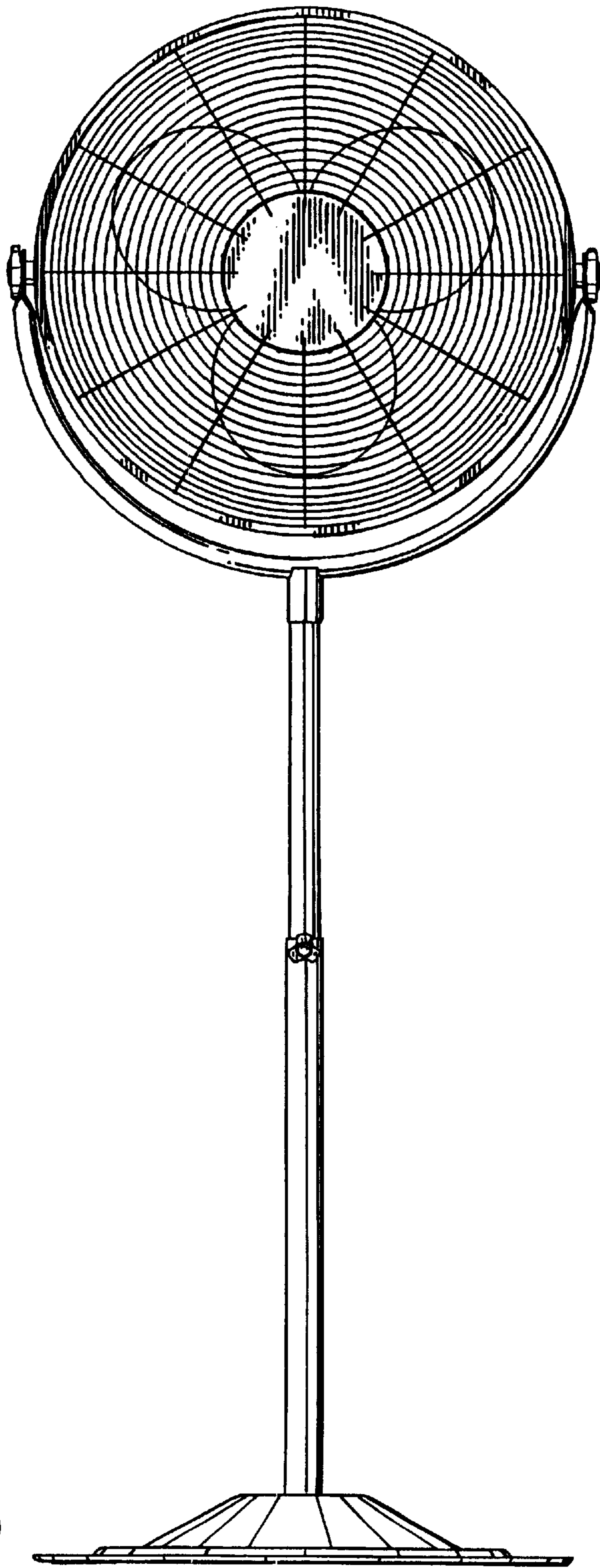


FIG. 5

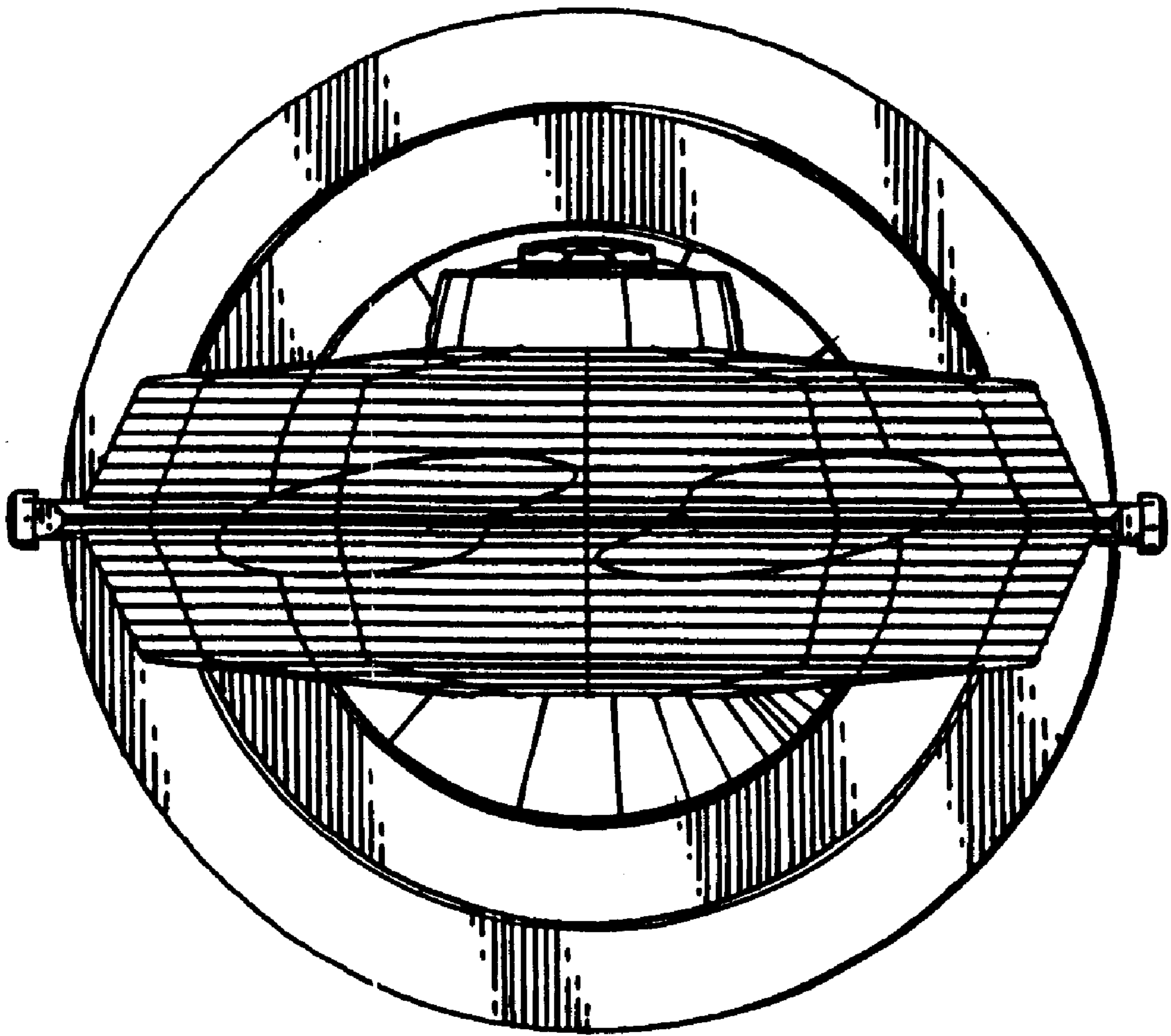


FIG. 6