



US00D412742S

United States Patent [19]
Soulier

[11] **Patent Number: Des. 412,742**

[45] **Date of Patent: ** Aug. 10, 1999**

[54] **WATER CLOSET**

[75] Inventor: **Jean-Hugues Soulier**, Garches, France

[73] Assignee: **Jacob Delafon**, Paris, France

[**] Term: **14 Years**

[21] Appl. No.: **29/087,448**

[22] Filed: **May 2, 1998**

[51] **LOC (6) Cl.** **23-02**

[52] **U.S. Cl.** **D23/301**

[58] **Field of Search** D23/295-301;
4/353-430

[56] **References Cited**

U.S. PATENT DOCUMENTS

D. 311,243	10/1990	Vaupel et al.	D23/301
D. 314,236	1/1991	Ament	D23/301
D. 323,880	2/1992	McKeone et al.	D23/295
D. 346,854	5/1994	Reid	D23/301
D. 353,450	12/1994	Anderson et al.	D23/301

OTHER PUBLICATIONS

Undated Jacob Delafon catalog ad, p. 70, showing a "Super Rivella" toilet, admitted prior art.

1996 Kohler catalog ad, pp. 14-16, showing a "Folio" toilet.

Primary Examiner—Louis S. Zarfes

Assistant Examiner—Eric Watterson

Attorney, Agent, or Firm—Quarles & Brady LLP

[57] **CLAIM**

The ornamental design for a water closet, as shown and described.

DESCRIPTION

FIG. 1 is a front elevational view of a water closet embodying my new design;

FIG. 2 is a top plan view thereof;

FIG. 3 is a left side elevational view thereof, the right side elevational view being a mirror image of the left side shown; and,

FIG. 4 is a cross-sectional view taken along line 4-4 of FIG. 2.

The broken line representations of holes in FIG. 2 and of mounting hardware in FIG. 3 are for the purpose of illustration only, and form no part of the claimed design.

1 Claim, 2 Drawing Sheets

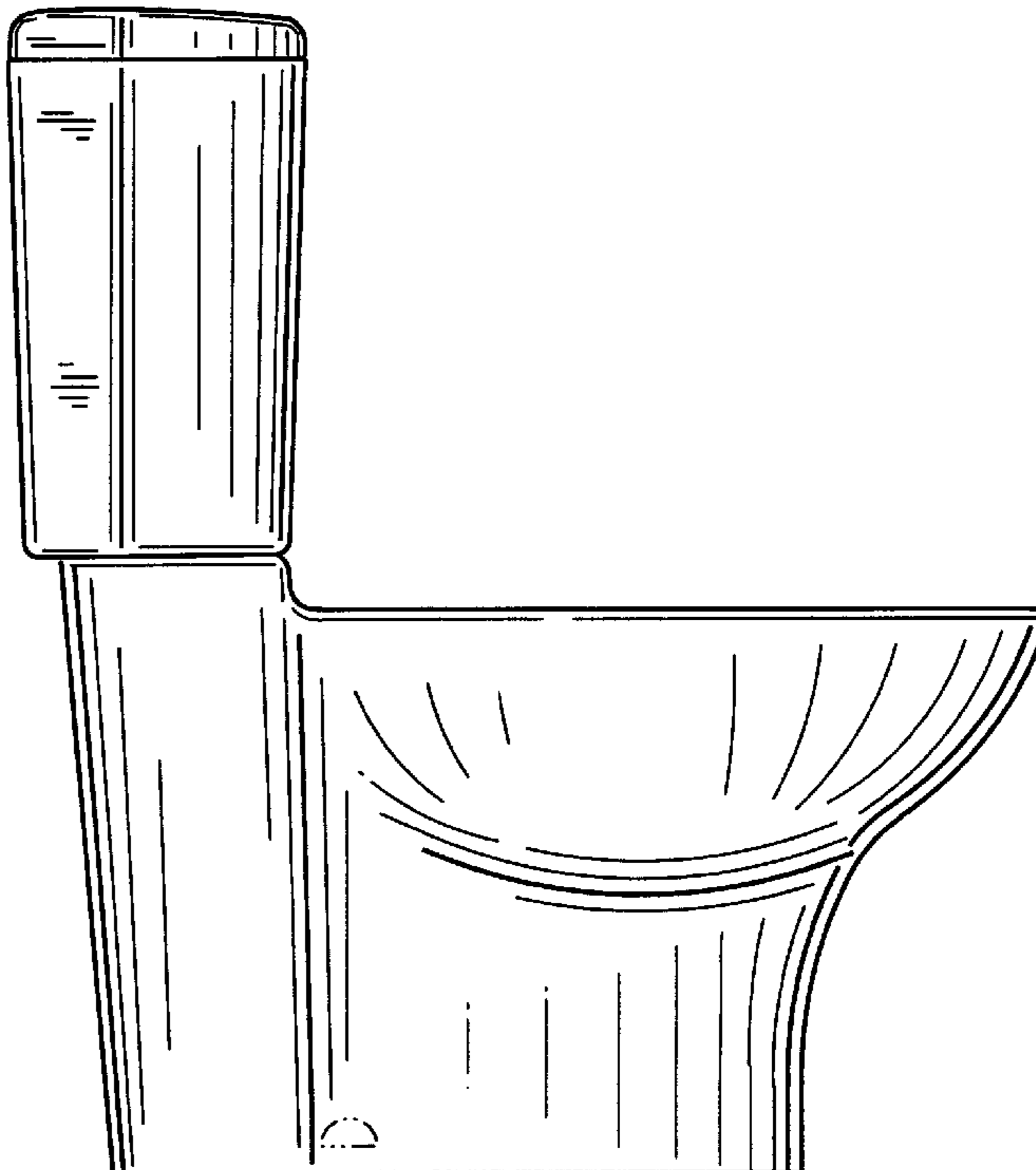
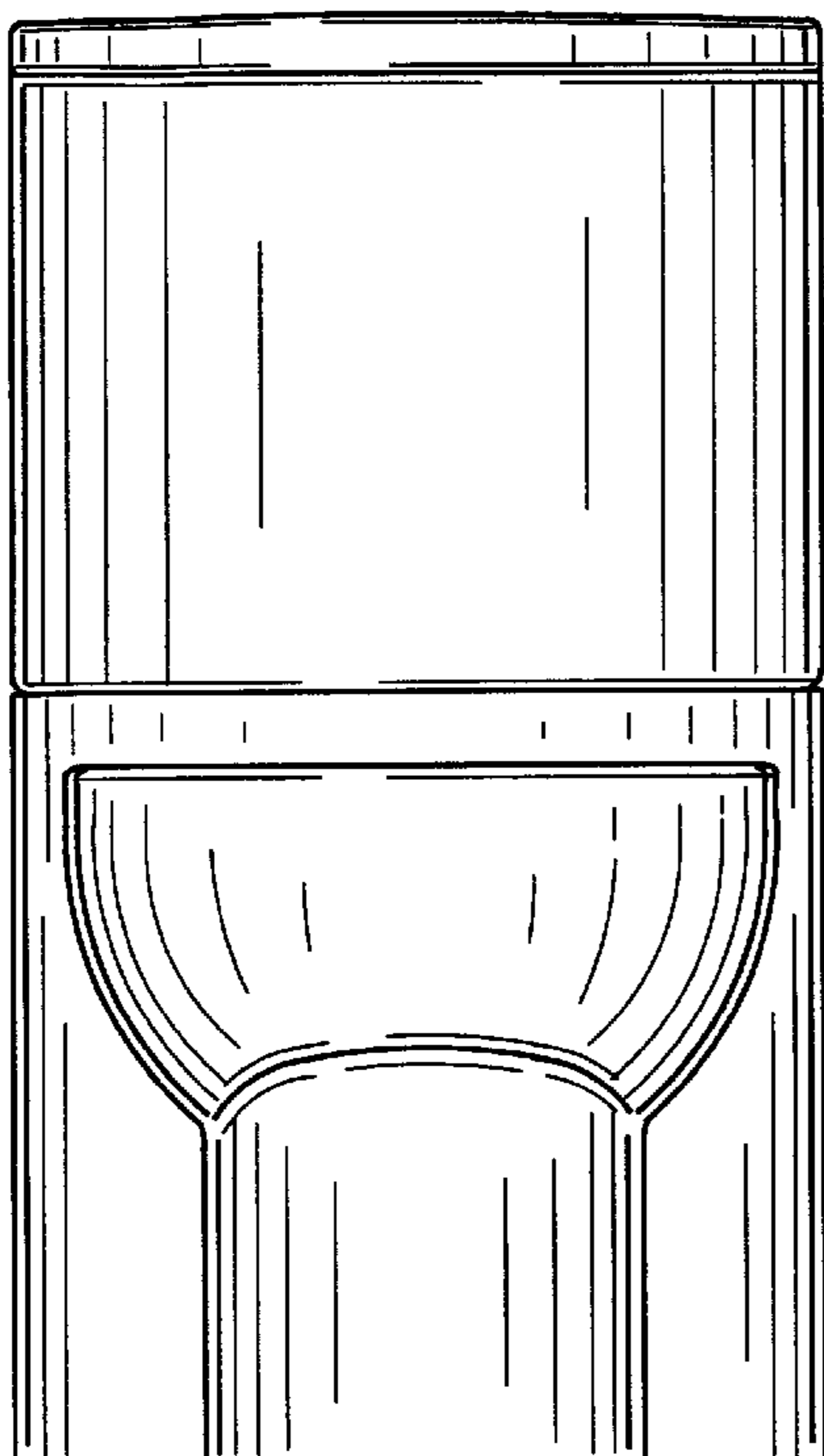


FIG. 1

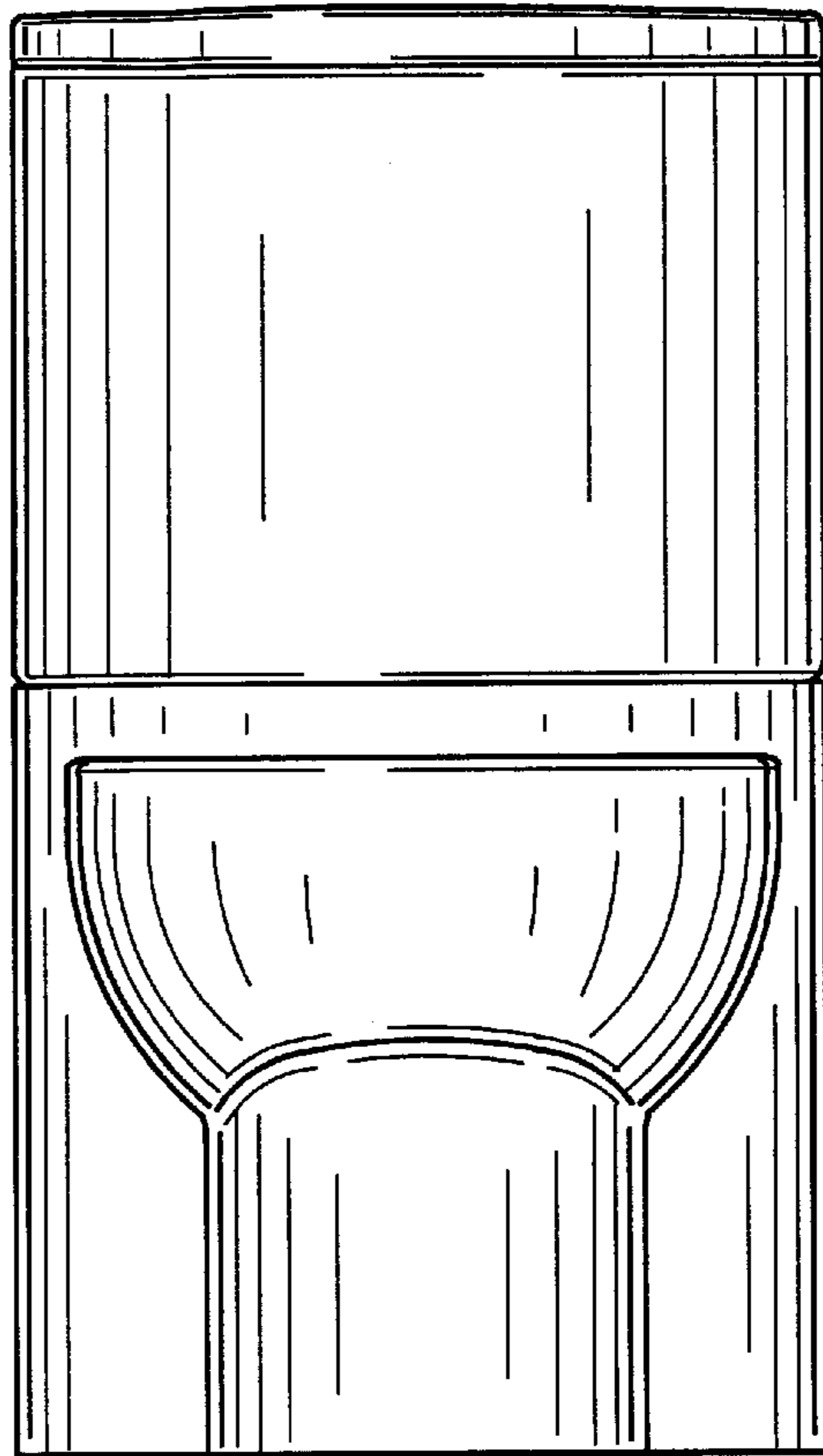


FIG. 2

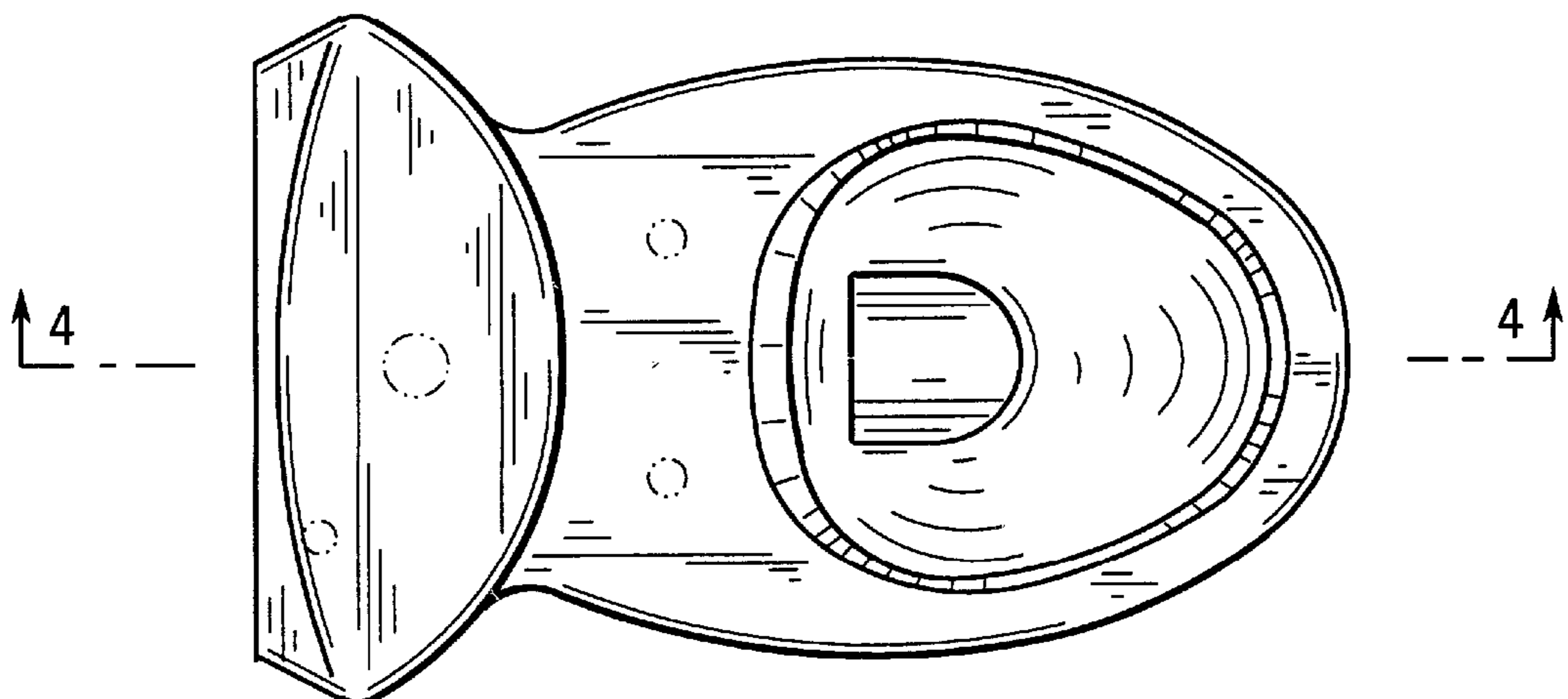


FIG. 3

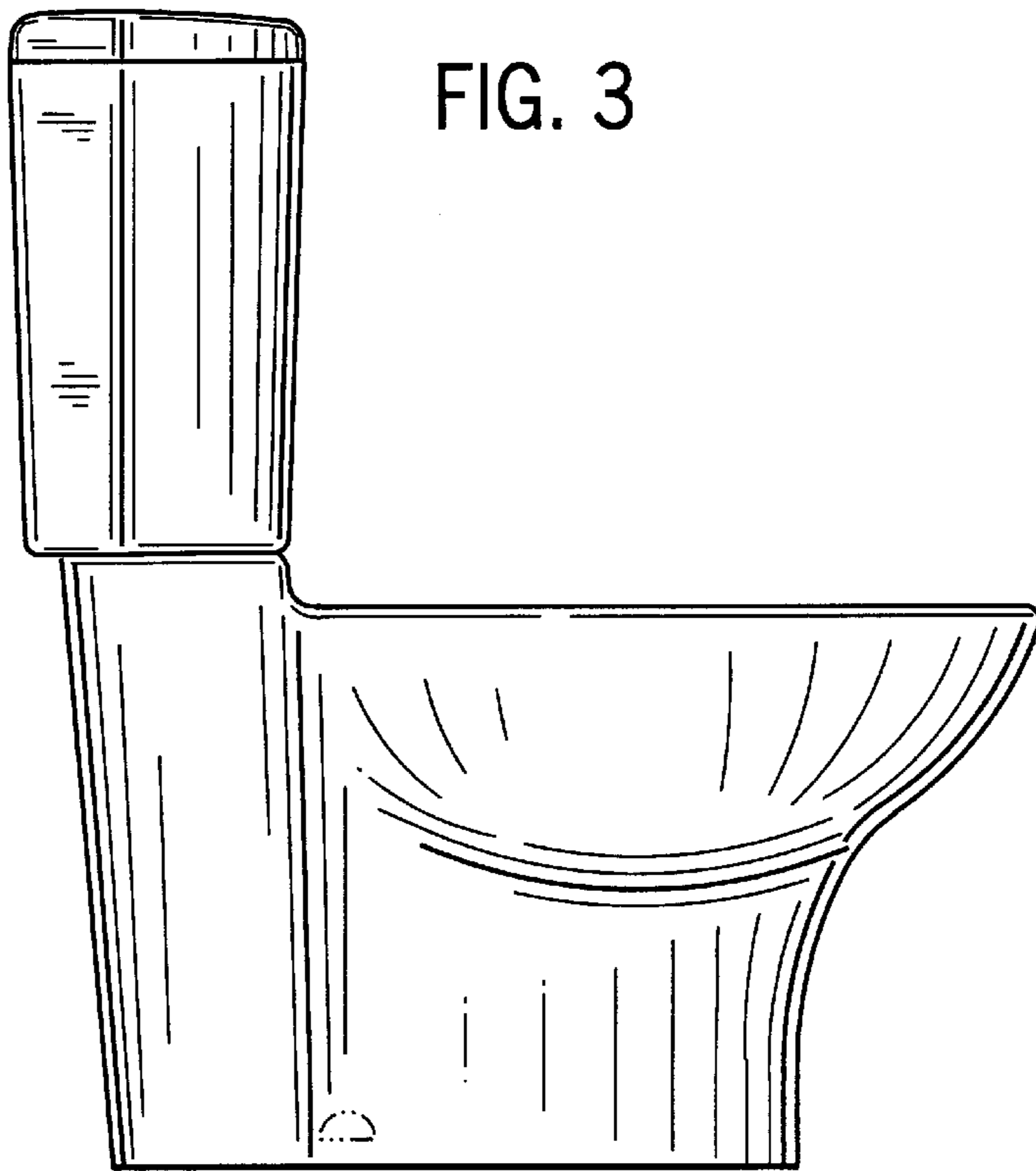
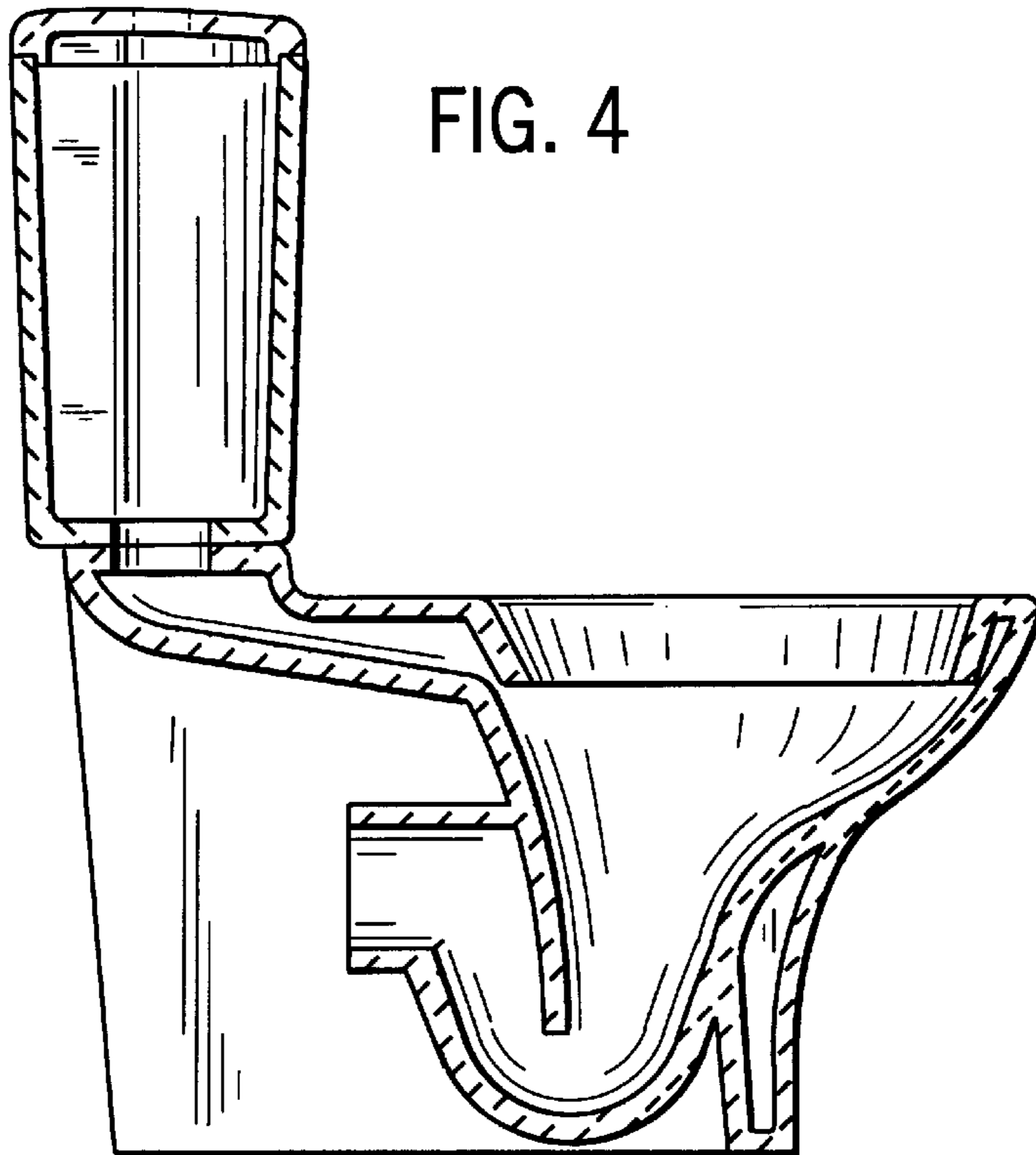


FIG. 4



UNITED STATES PATENT AND TRADEMARK OFFICE
CERTIFICATE OF CORRECTION

PATENT NO. : Des. 412,742
DATED : August 10, 1999
INVENTOR(S) : Jean-Hugues Soulier

It is certified that error appears in the above-identified patent and that said Letters Patent is hereby corrected as shown below:

ON THE TITLE PAGE:

Insert the following:

Item [30] **Foreign Application Priority Data**
Nov. 3, 1997 [XH] Hague Agreement DM/043499

Signed and Sealed this
Twenty-fifth Day of April, 2000

Attest:



Q. TODD DICKINSON

Attesting Officer

Director of Patents and Trademarks