



US00D412741S

United States Patent [19] Pepin

[11] **Patent Number: Des. 412,741**

[45] **Date of Patent: ** Aug. 10, 1999**

[54] **ADJUSTABLE HEIGHT SINK MODULE**

2,426,152 4/1947 Meldahl 4/637

[76] Inventor: **Laurent Pepin**, 12 rue Francine,
Victoriaville, Quebec, Canada, G6P 6R9

Primary Examiner—Louis S. Zarfes
Assistant Examiner—Eric Watterson
Attorney, Agent, or Firm—Eric Fincham

[**] Term: **14 Years**

[57] CLAIM

[21] Appl. No.: **29/094,286**

An ornamental design for an adjustable height sink module,
as shown and described.

[22] Filed: **Sep. 29, 1998**

[30] Foreign Application Priority Data

DESCRIPTION

Apr. 3, 1998 [CA] Canada 1998-0847

FIG. 1 is a top perspective view, of an adjustable height sink
module, showing my new design;

[51] **LOC (6) Cl.** **23-01**

FIG. 2 is a front elevational view thereof;

[52] **U.S. Cl.** **D23/286**

FIG. 3 is a top plan view thereof;

[58] **Field of Search** D23/284-292;
4/553, 619, 621, 627, 630, 631, 637-658;
312/290

FIG. 4 is a side elevational view as seen from the left hand
side of FIG. 1 with the other side view being a mirror image
thereof;

[56] References Cited

FIG. 5 is a top perspective view, of an adjustable height sink
module, with the sink portion in a lowered position;

U.S. PATENT DOCUMENTS

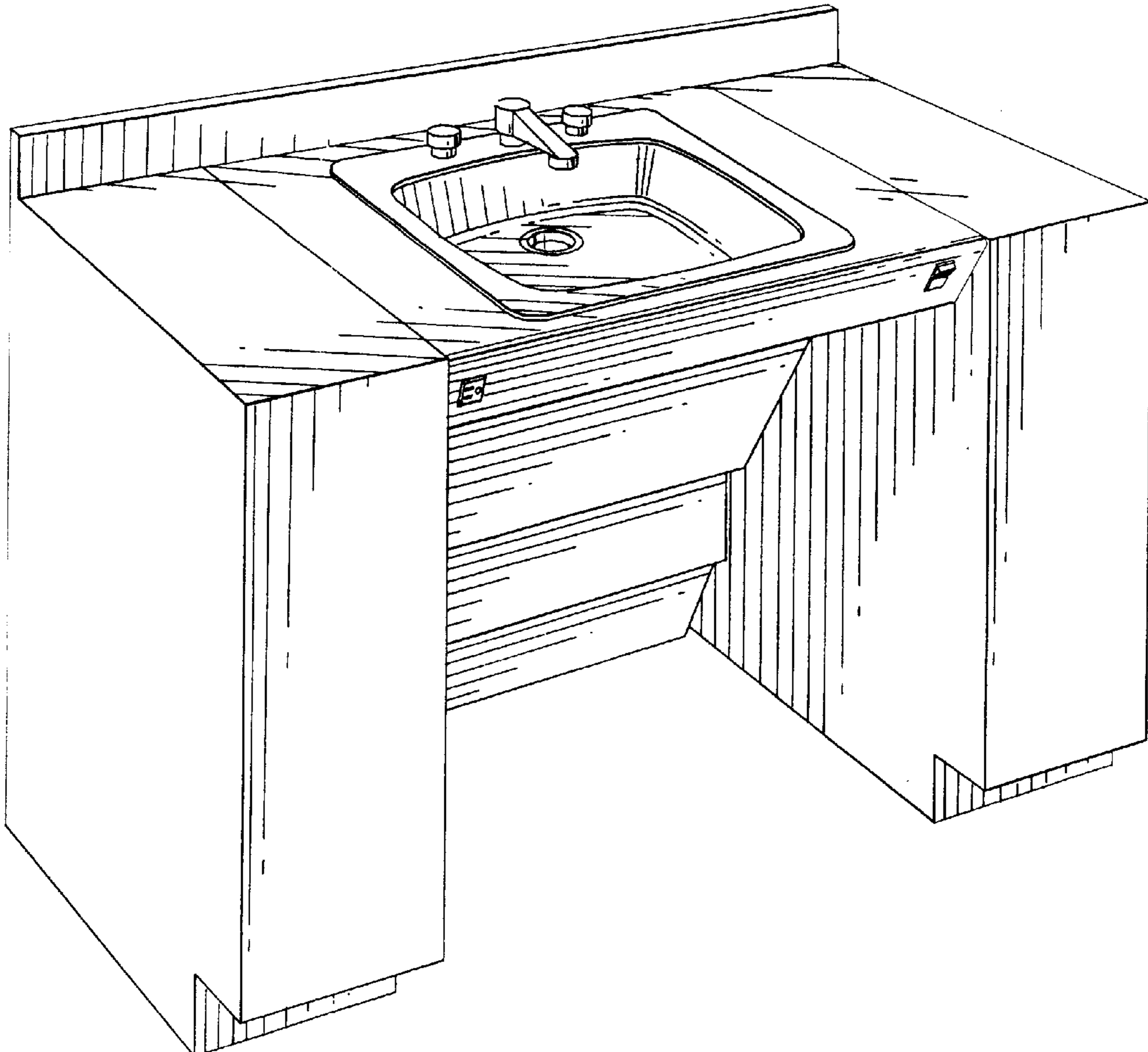
D. 88,405 11/1932 Hagopian D23/286
D. 170,094 7/1953 Schmitt D23/286
D. 227,891 7/1973 Welsh D23/286
D. 282,575 2/1986 Case et al. D24/185
D. 287,748 1/1987 Landan et al. D23/286

FIG. 6 is a front elevational view thereof;

FIG. 7 is a top plan view thereof; and,

FIG. 8 is a side elevational view as seen from the left hand
side of FIG. 5 with the other side view being a mirror image
thereof.

1 Claim, 2 Drawing Sheets



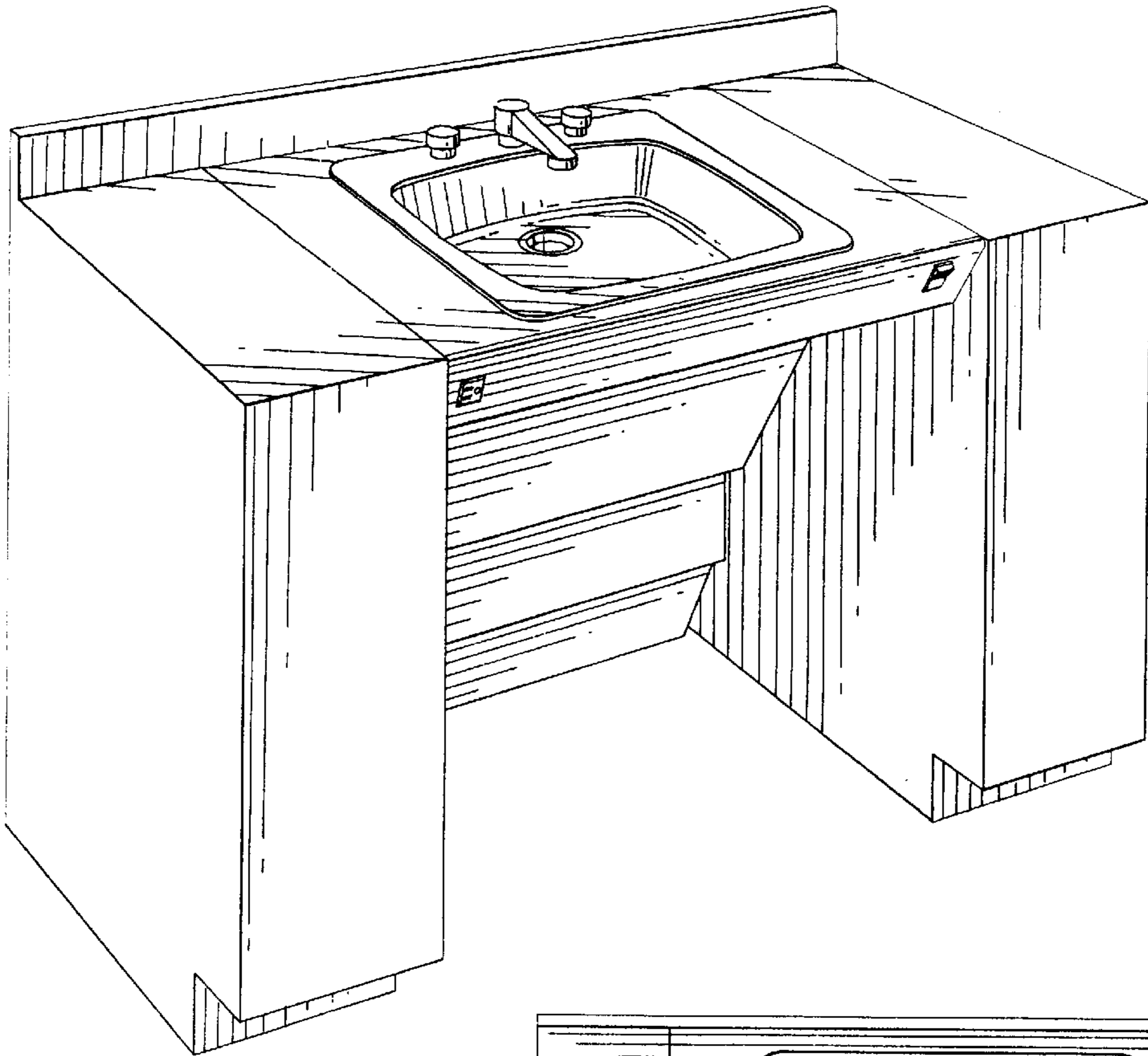


Fig. 1

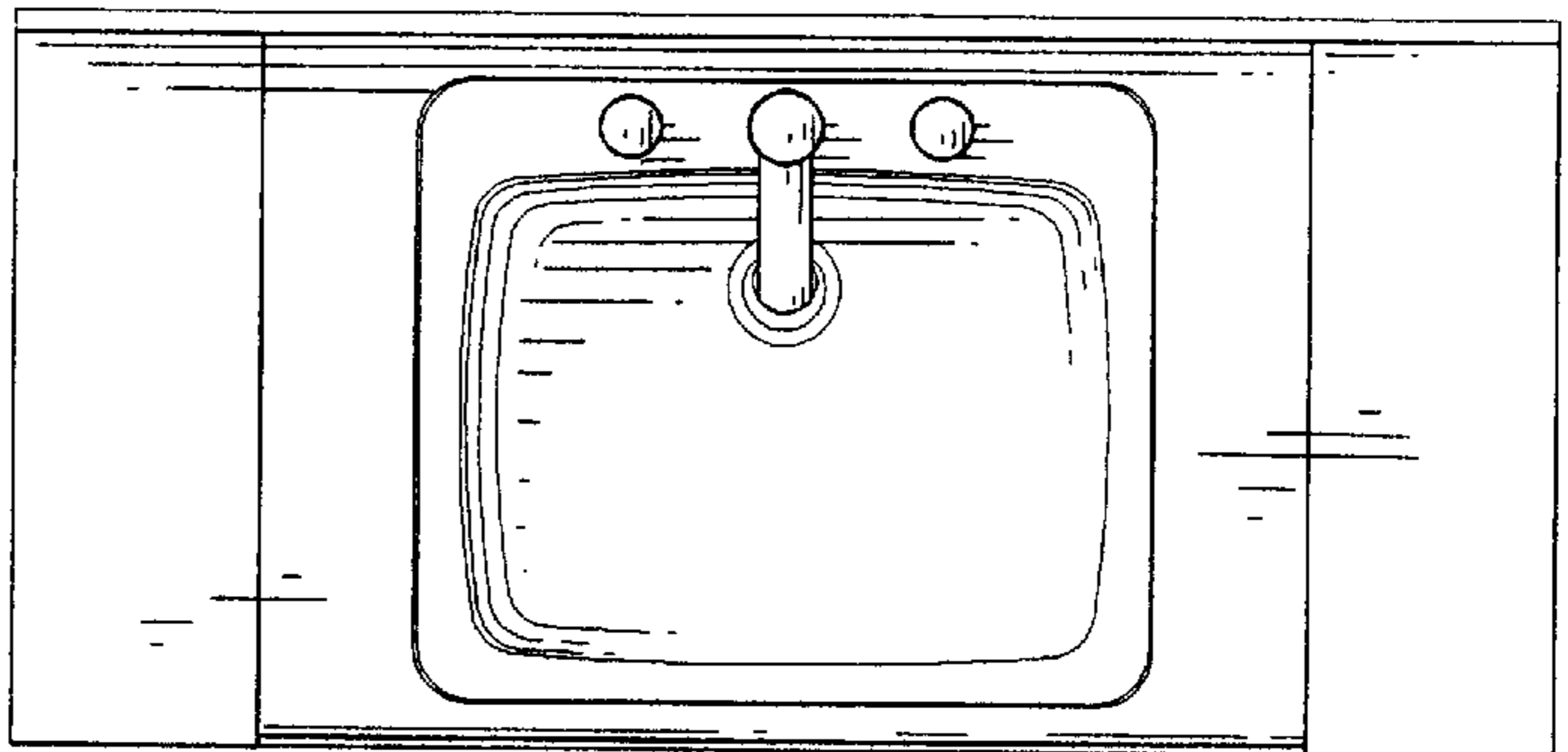


Fig. 3

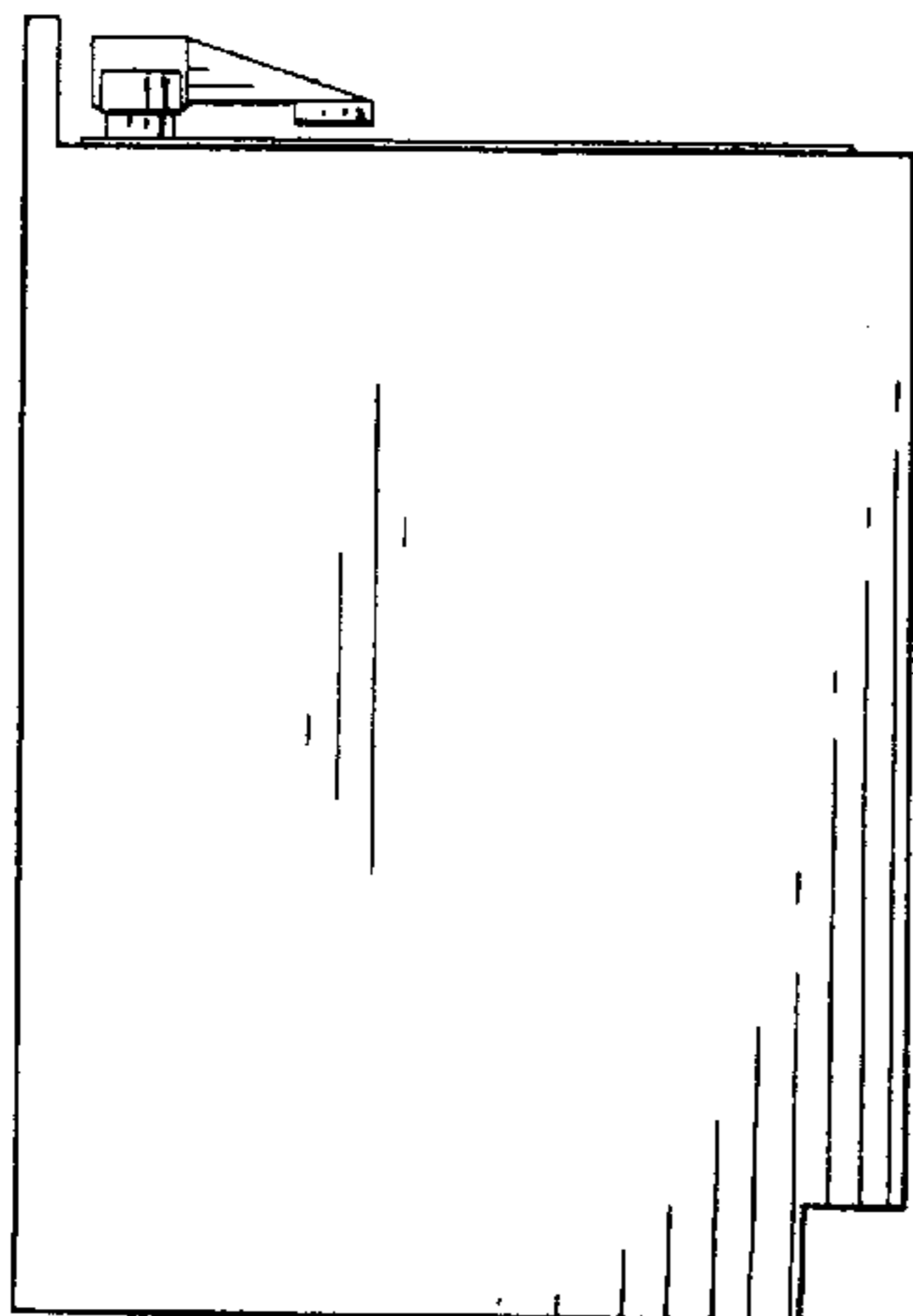


Fig. 4

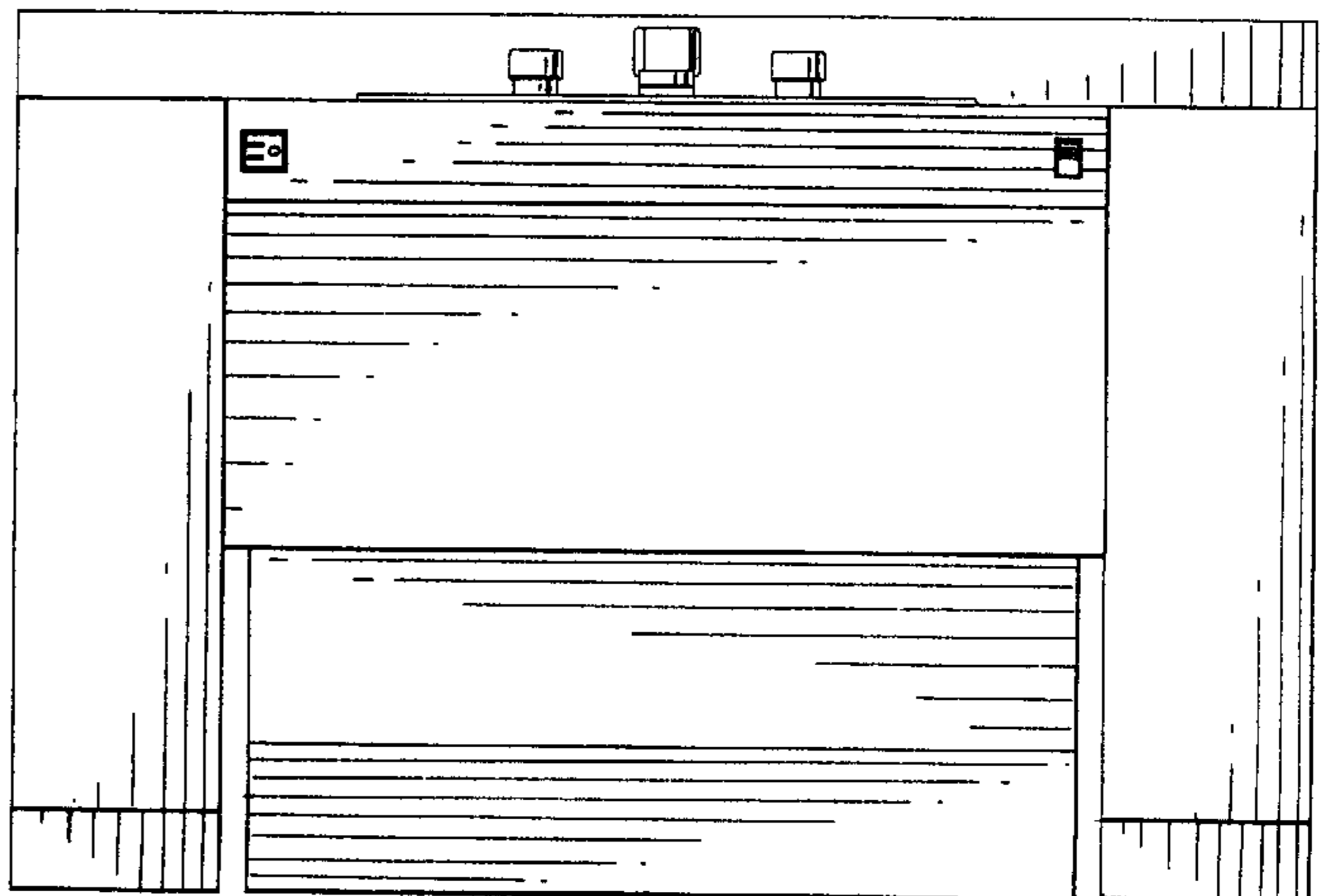


Fig. 2

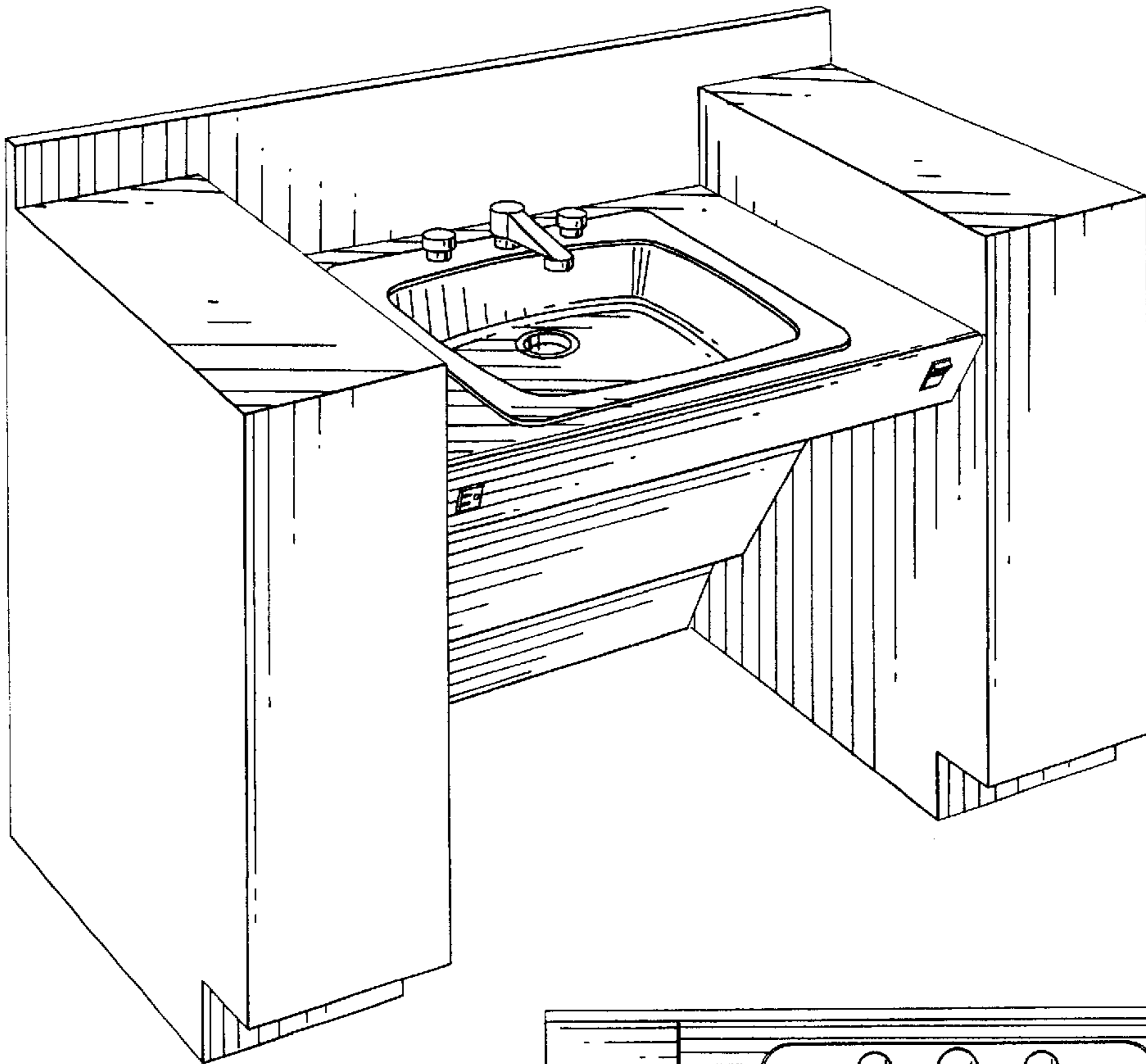


Fig. 5

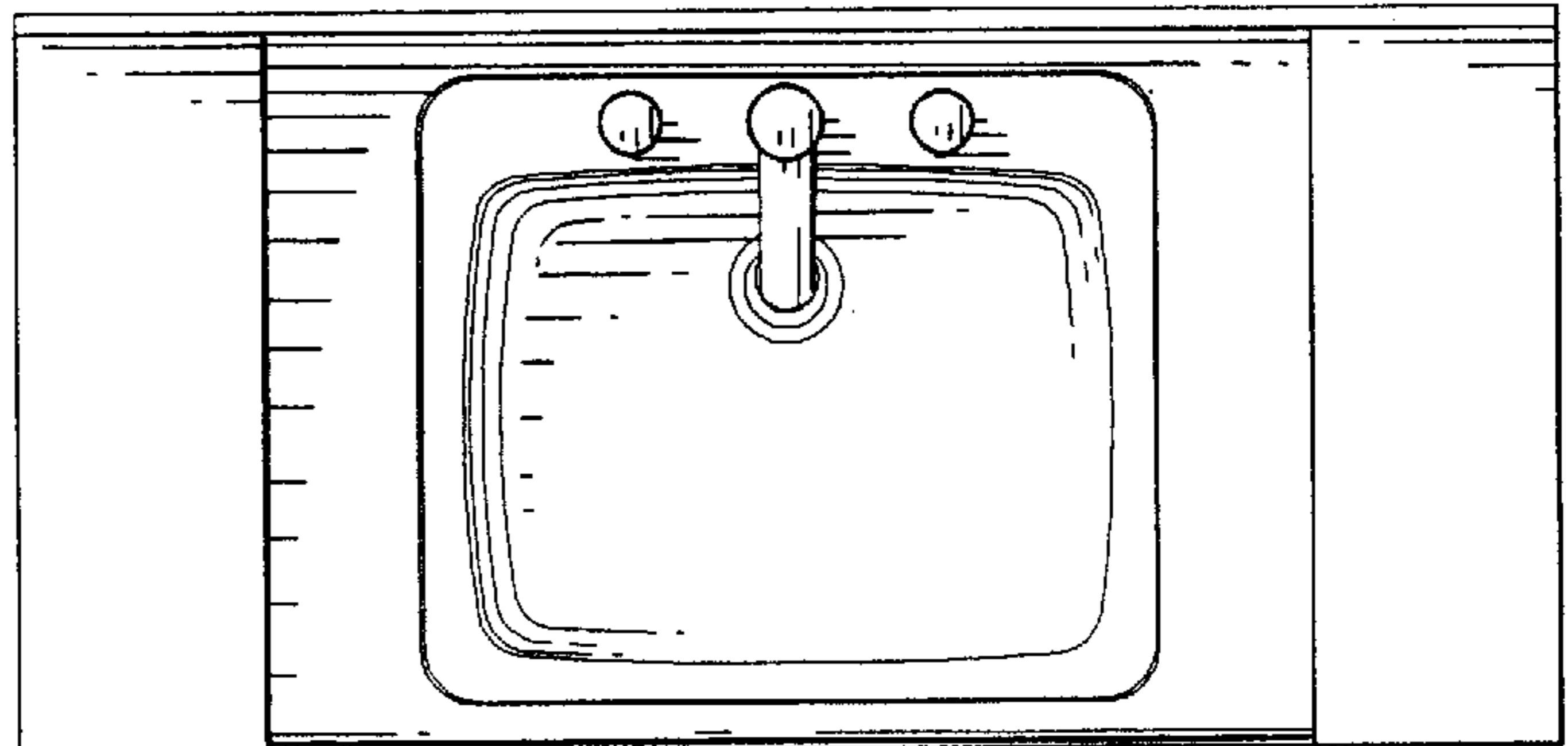


Fig. 7

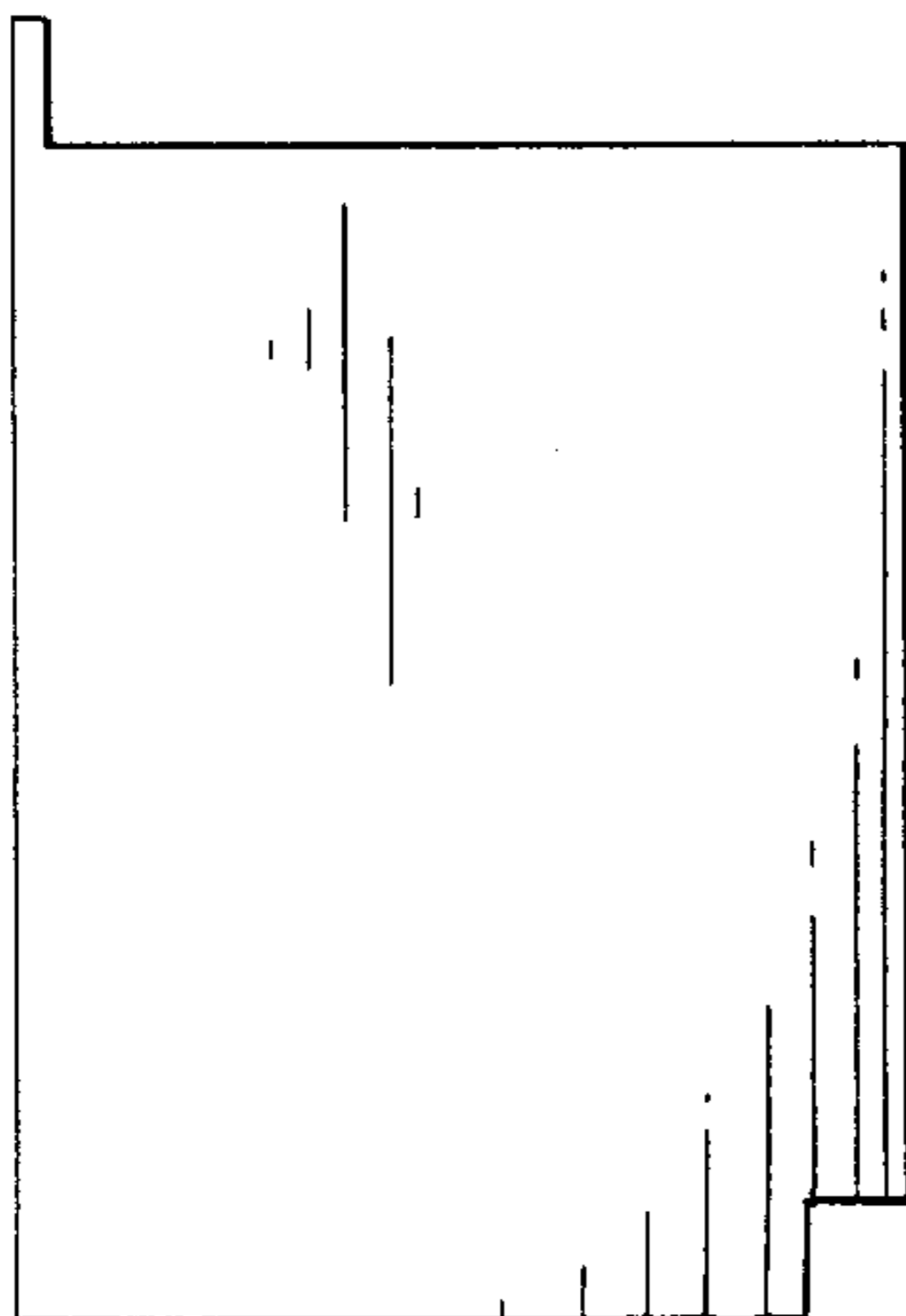


Fig. 8

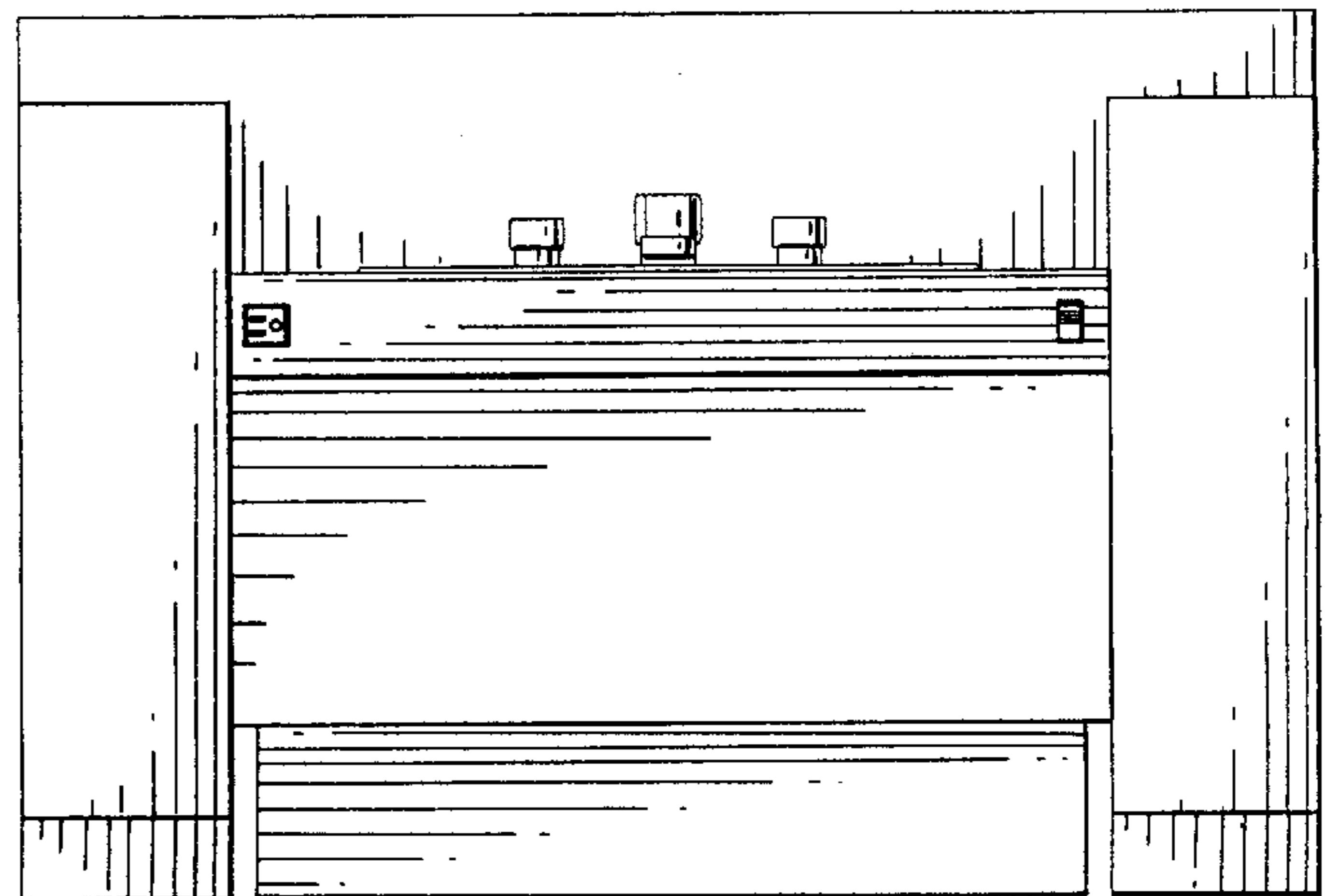


Fig. 6