



US00D412740S

# United States Patent [19] Pitsch

[11] **Patent Number: Des. 412,740**

[45] **Date of Patent: \*\* \*Aug. 10, 1999**

[54] **FAUCET**

[75] **Inventor: Walter Pitsch, Franklin Park, N.J.**

[73] **Assignee: American Standard Inc., Piscataway, N.J.**

[\*] **Notice:** This patent is subject to a terminal disclaimer.

[\*\*] **Term: 14 Years**

[21] **Appl. No.: 29/086,504**

[22] **Filed: Apr. 14, 1998**

[51] **LOC (6) Cl. .... 23-01**

[52] **U.S. Cl. .... D23/241**

[58] **Field of Search .... D23/238-243, D23/250-257; 4/675-678; 137/801**

### [56] **References Cited**

#### U.S. PATENT DOCUMENTS

D. 165,987	2/1952	Krafft	.....	D91/3
D. 235,546	6/1975	Landeh	.....	D23/32
D. 359,342	6/1995	Doughty et al.	.....	D23/241
D. 360,076	7/1995	Hsieh	.....	D23/241
D. 373,617	9/1996	Doughty et al.	.....	D23/241
D. 374,706	10/1996	Doughty et al.	.....	D23/243
D. 375,143	10/1996	Doughty et al.	.....	D23/243
D. 375,144	10/1996	Doughty et al.	.....	D23/243

D. 375,145	10/1996	Doughty et al.	.....	D23/243
D. 375,146	10/1996	Doughty et al.	.....	D23/241
D. 375,147	10/1996	Doughty et al.	.....	D23/241
D. 376,414	12/1996	Doughty et al.	.....	D23/241
D. 384,402	9/1997	Doughty et al.	.....	D23/241
D. 399,925	10/1998	Lord	.....	D23/241
D. 399,926	10/1998	Lord	.....	D23/241

### OTHER PUBLICATIONS

Delta-Delex Faucets Catalog, 1976.

*Primary Examiner*—Louis S. Zarfes

*Assistant Examiner*—Eric Watterson

### [57] **CLAIM**

The ornamental design for a faucet, as shown and described.

### DESCRIPTION

FIG. 1 is a top, front, and right side perspective view of a faucet showing my new design;

FIG. 2 is a front elevational view thereof;

FIG. 3 is a rear elevational view thereof;

FIG. 4 is a top plan view thereof;

FIG. 5 is a bottom plan view thereof; and,

FIG. 6 is a left side elevational view, the opposite side being a mirror image thereof.

The broken line showing is for illustrative purposes only and forms no part of the claimed design.

**1 Claim, 6 Drawing Sheets**

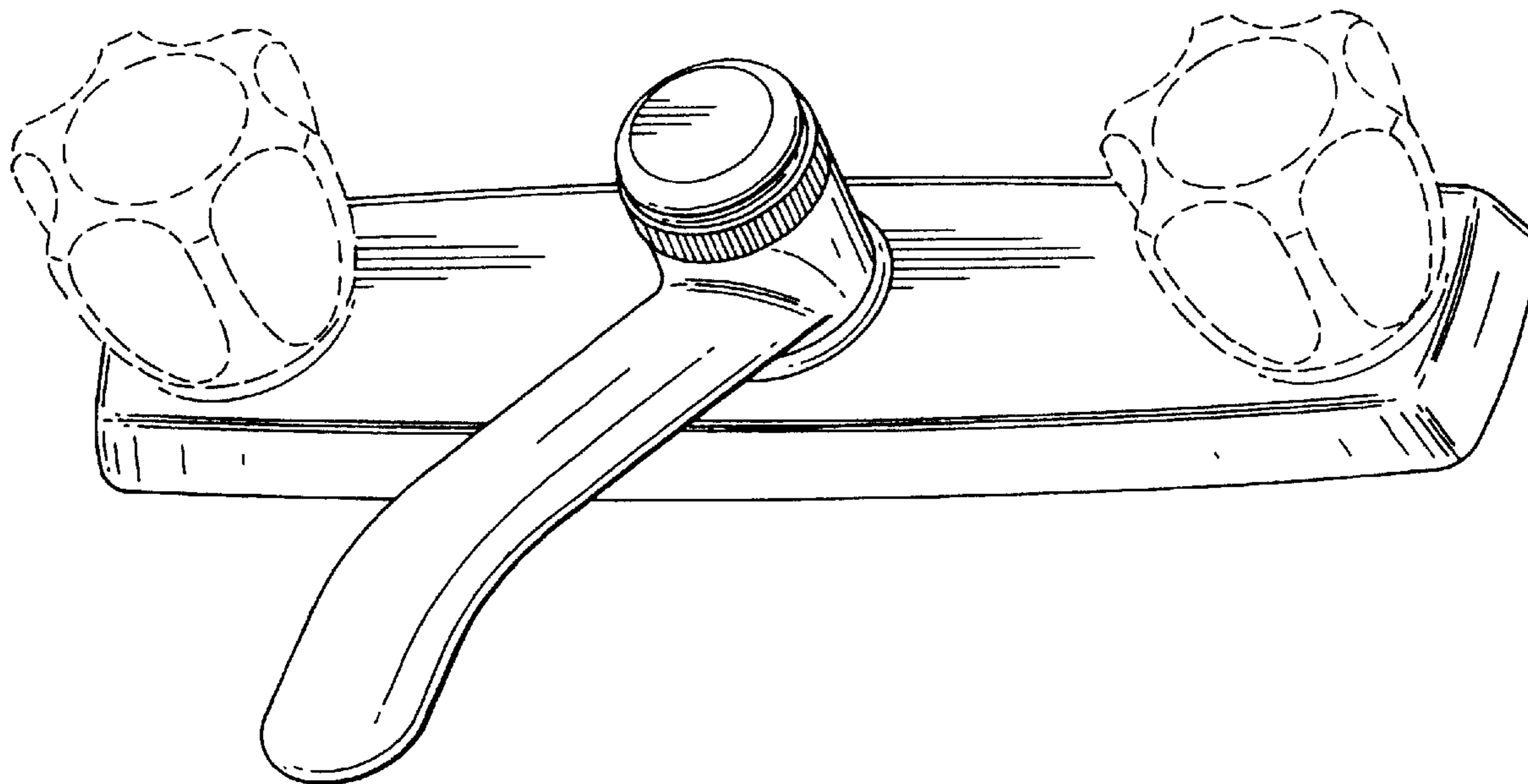
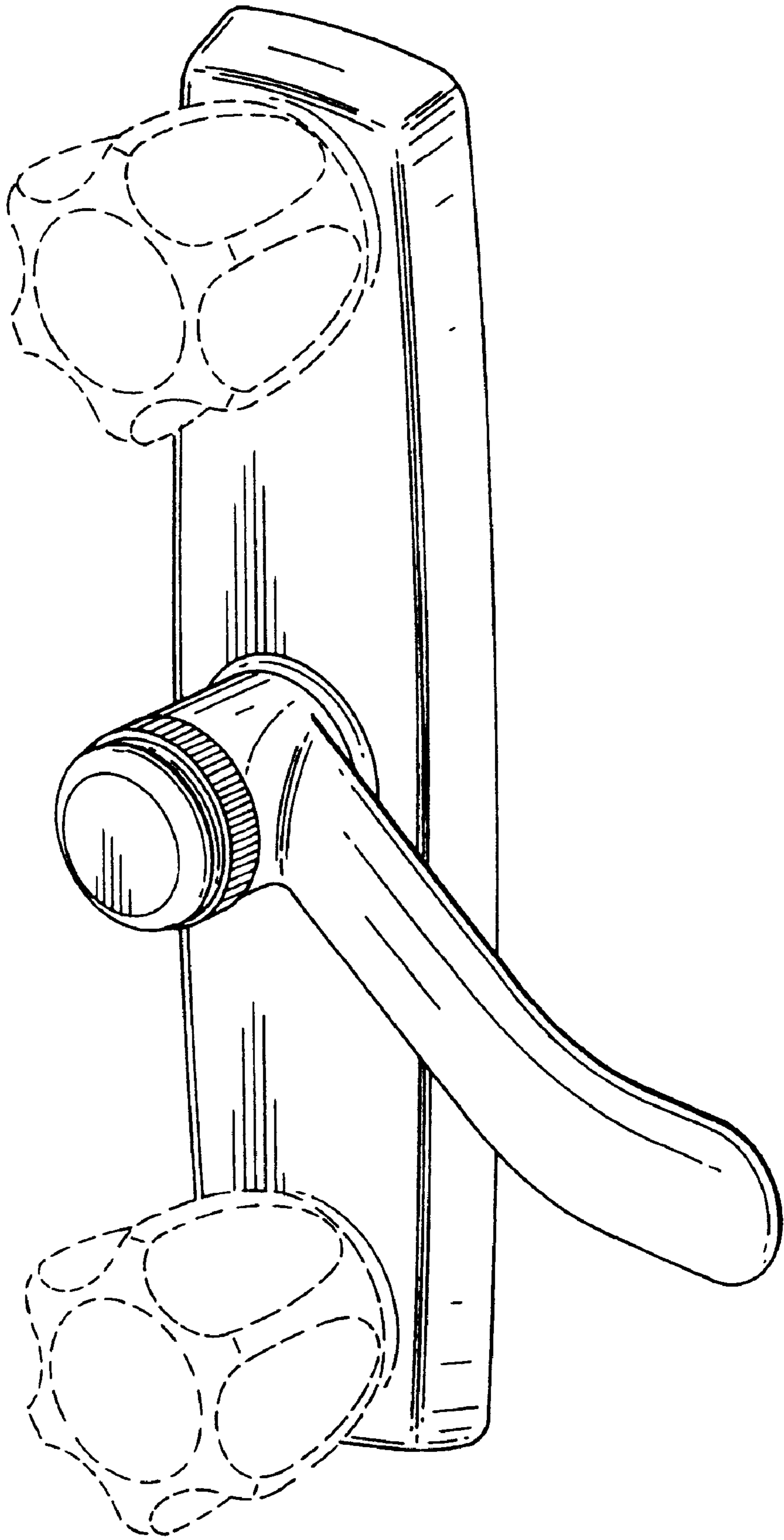


FIG. 1



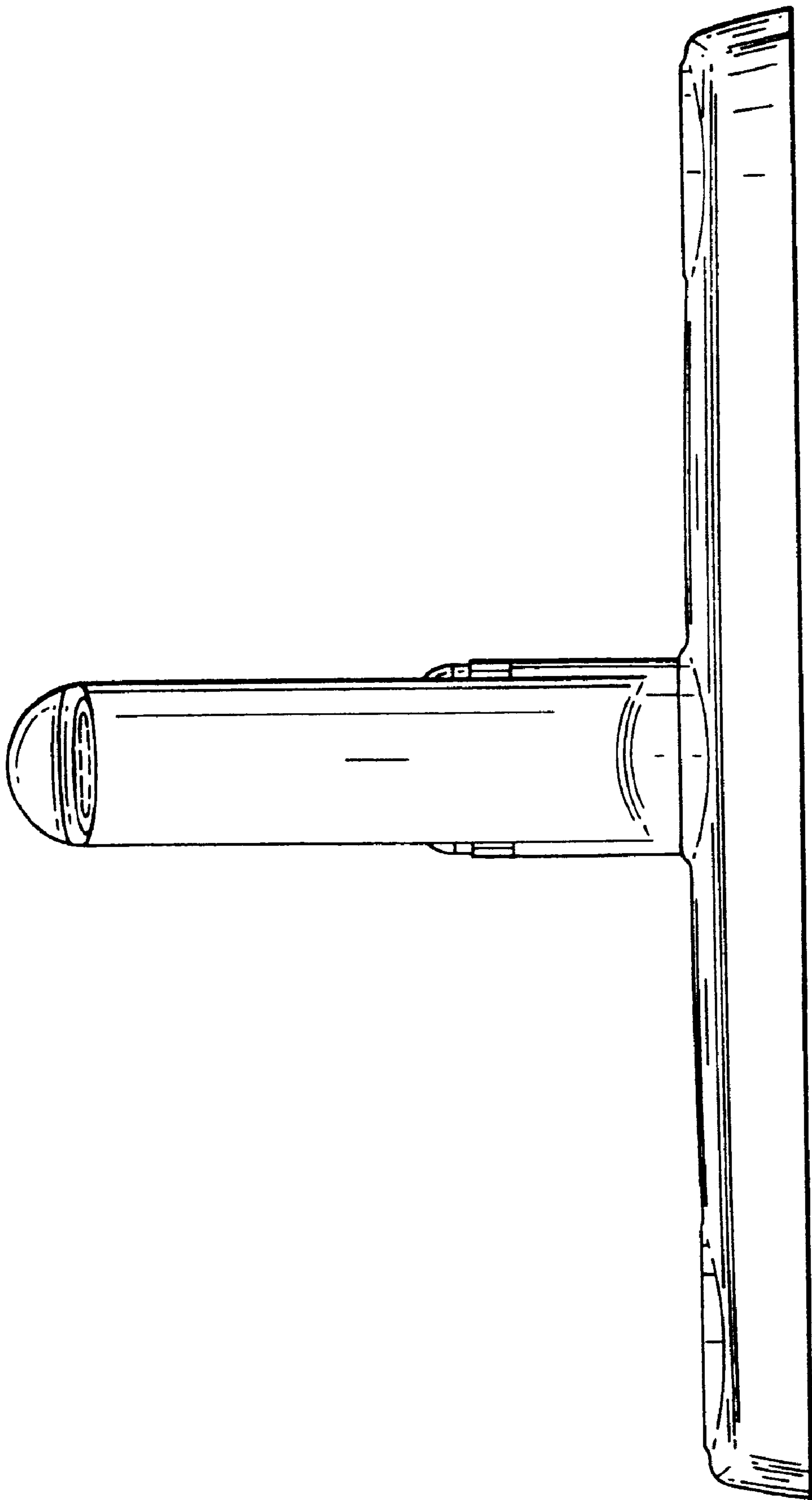


FIG. 2

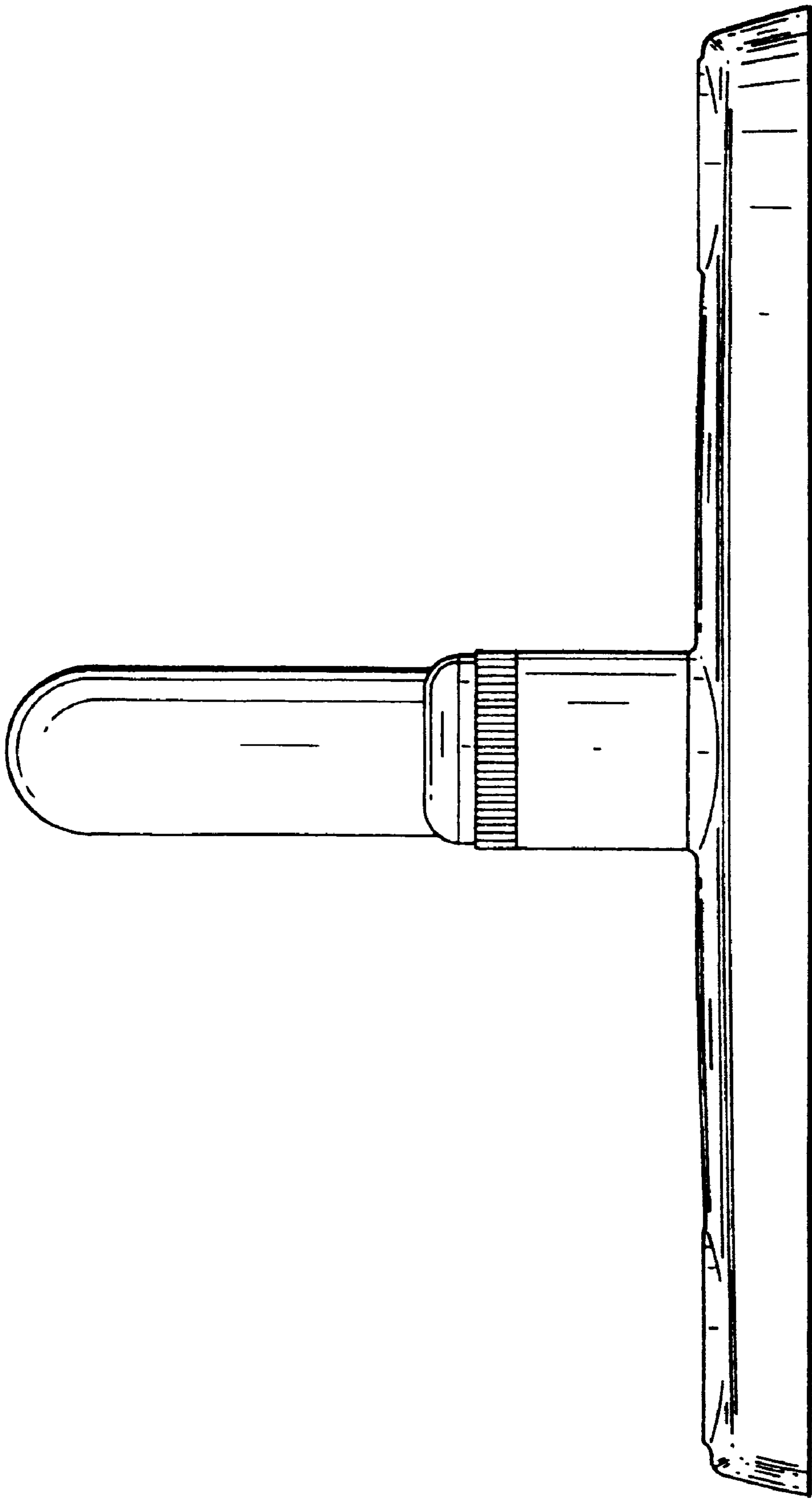


FIG. 3

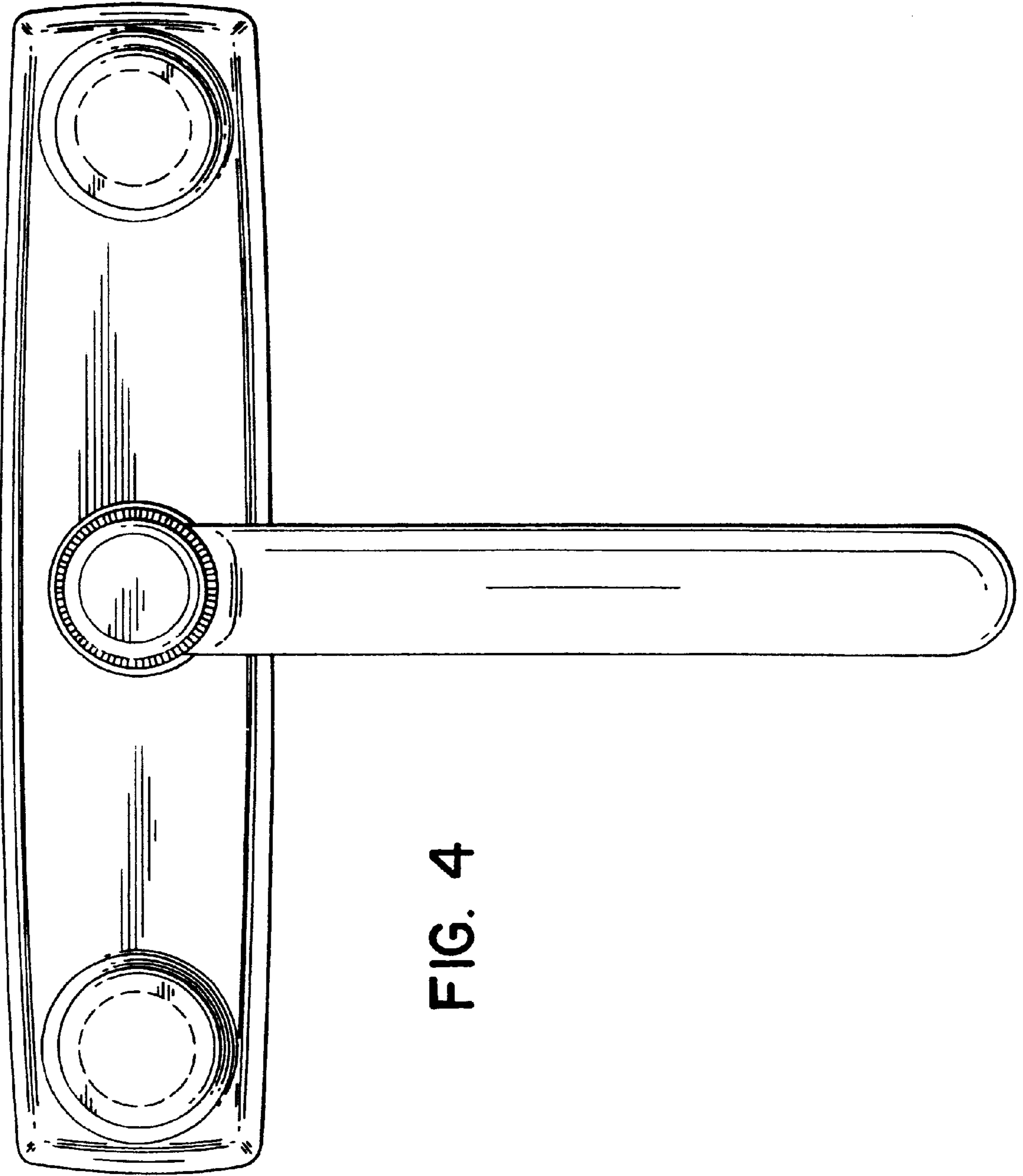


FIG. 4

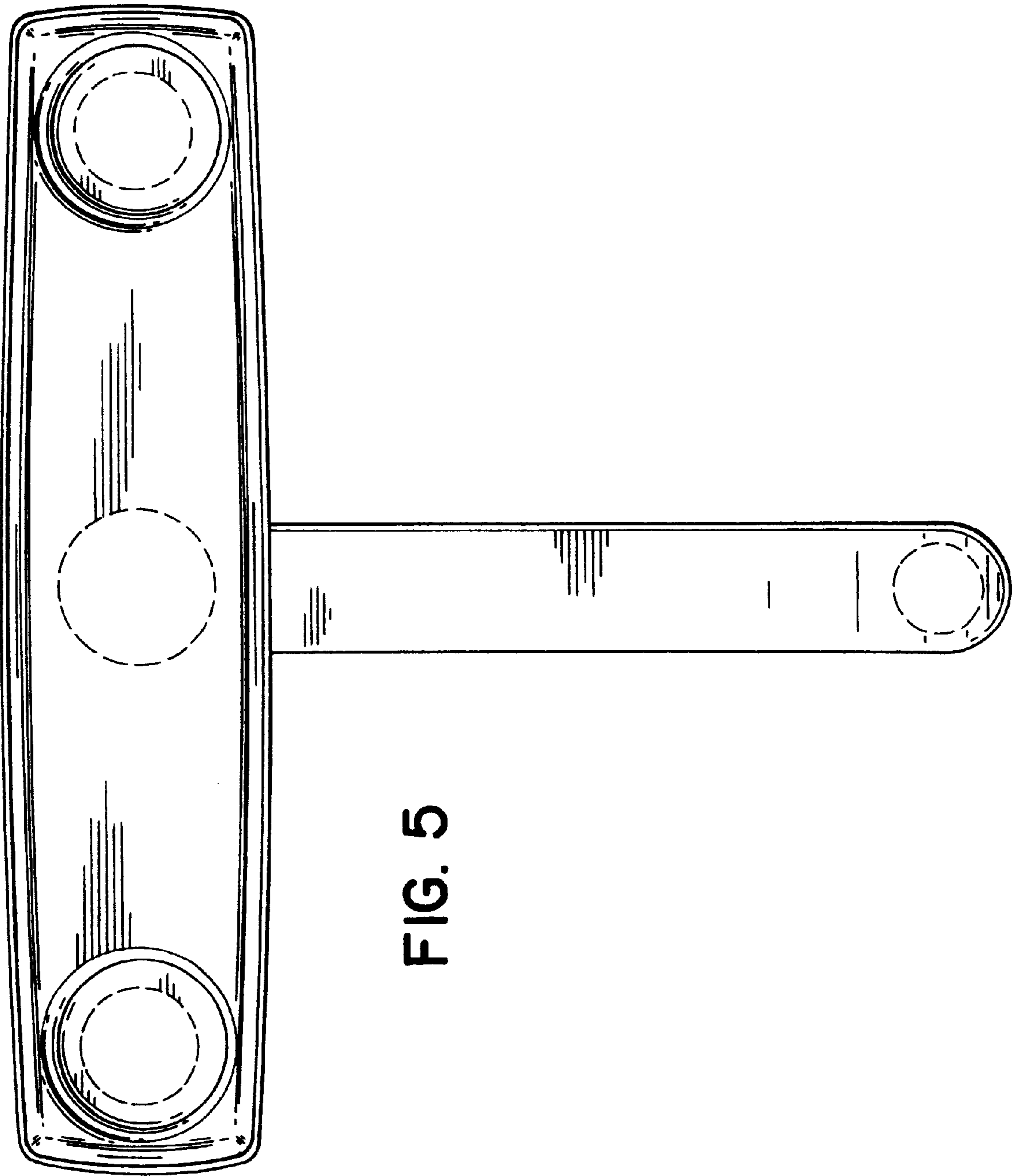


FIG. 5



FIG. 6

