



US00D412738S

**United States Patent** [19]  
**Kuwabara**

[11] **Patent Number: Des. 412,738**

[45] **Date of Patent: \*\* Aug. 10, 1999**

[54] **SOCKET OF PIPE COUPLING**

3,351,362 11/1967 Hansen ..... 285/277  
4,498,658 2/1985 Mikiya ..... 251/149.2

[75] Inventor: **Tetsuya Kuwabara**, Tokyo, Japan

**FOREIGN PATENT DOCUMENTS**

[73] Assignee: **Nitto Kohki Co., Ltd.**, Tokyo, Japan

990204 9/1997 Japan .

[\*\*] Term: **14 Years**

*Primary Examiner*—Robin V. Taylor  
*Attorney, Agent, or Firm*—Wenderoth, Lind & Ponack,  
L.L.P.

[21] Appl. No.: **29/084,454**

[22] Filed: **Mar. 4, 1998**

[57] **CLAIM**

[30] **Foreign Application Priority Data**

The ornamental design for a socket of pipe coupling, as shown and described.

Nov. 14, 1997 [JP] Japan ..... 9-74725

[51] **LOC (6) Cl.** ..... **23-01**

**DESCRIPTION**

[52] **U.S. Cl.** ..... **D23/233; D23/266**

[58] **Field of Search** ..... D23/233-5, 244-6,  
D23/266; 137/614.04; 251/149.6; 287/277,  
83

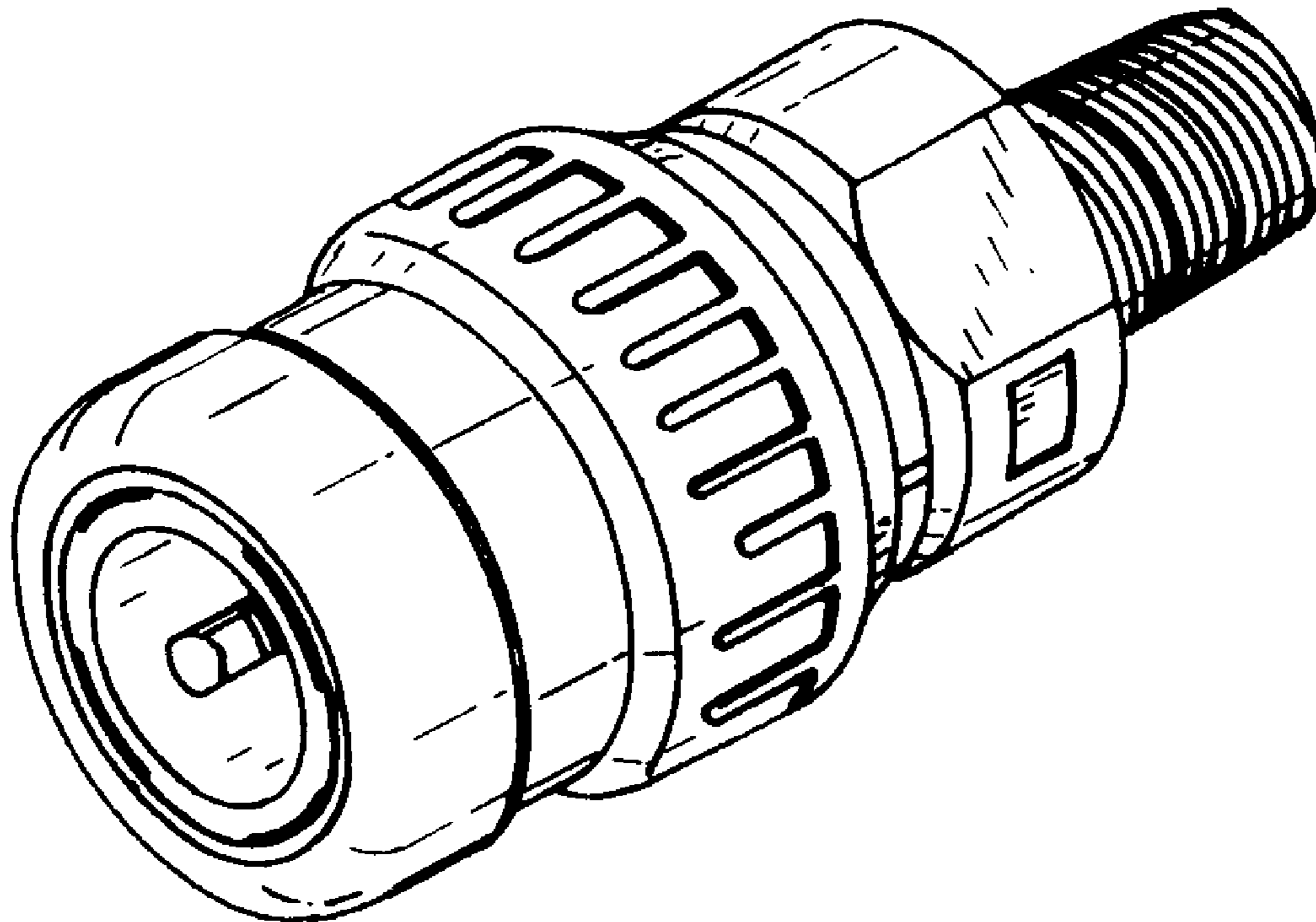
FIG. 1 is a perspective view of a socket of pipe coupling when seen from the top and left side of the rear.  
FIG. 2 is a front elevational view hereof;  
FIG. 3 is a top plan view thereof;  
FIG. 4 is a rear elevational view thereof;  
FIG. 5 is a bottom plan view thereof;  
FIG. 6 is a left side elevational view thereof; and,  
FIG. 7 is a right side elevational view thereof.

[56] **References Cited**

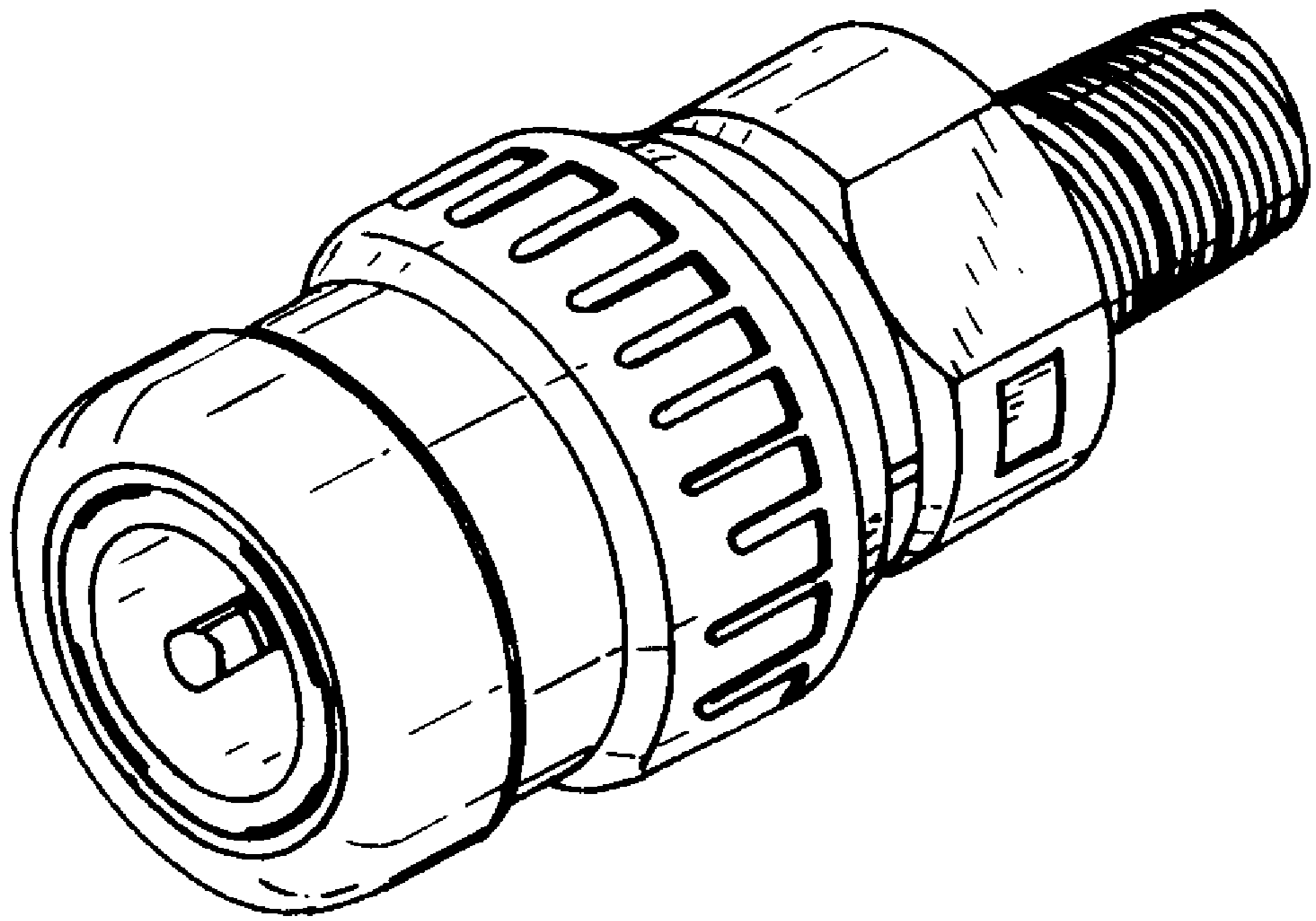
**U.S. PATENT DOCUMENTS**

D. 119,175 2/1940 Shaw ..... D23/233  
2,565,572 8/1951 Pangborn ..... 285/277

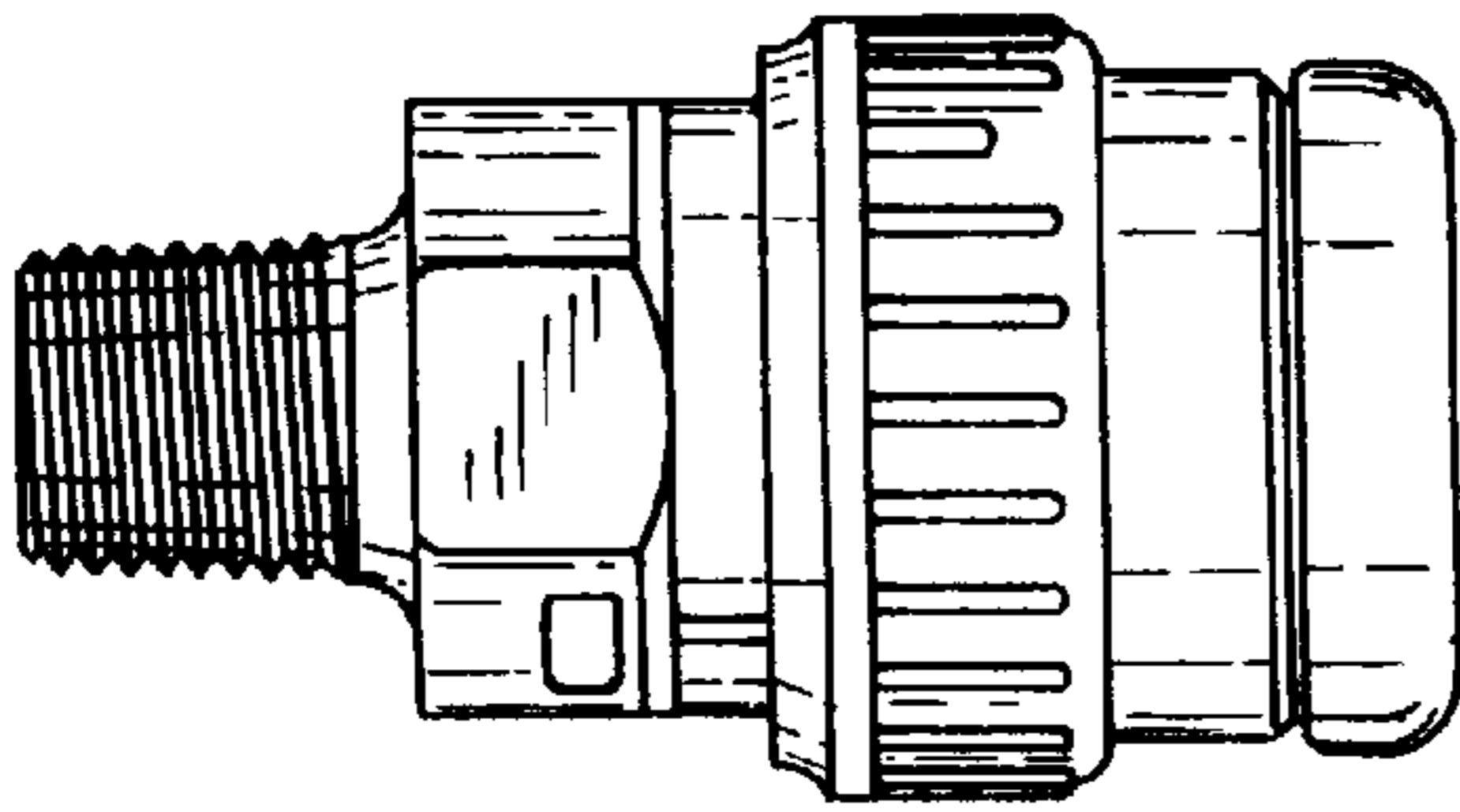
**1 Claim, 3 Drawing Sheets**



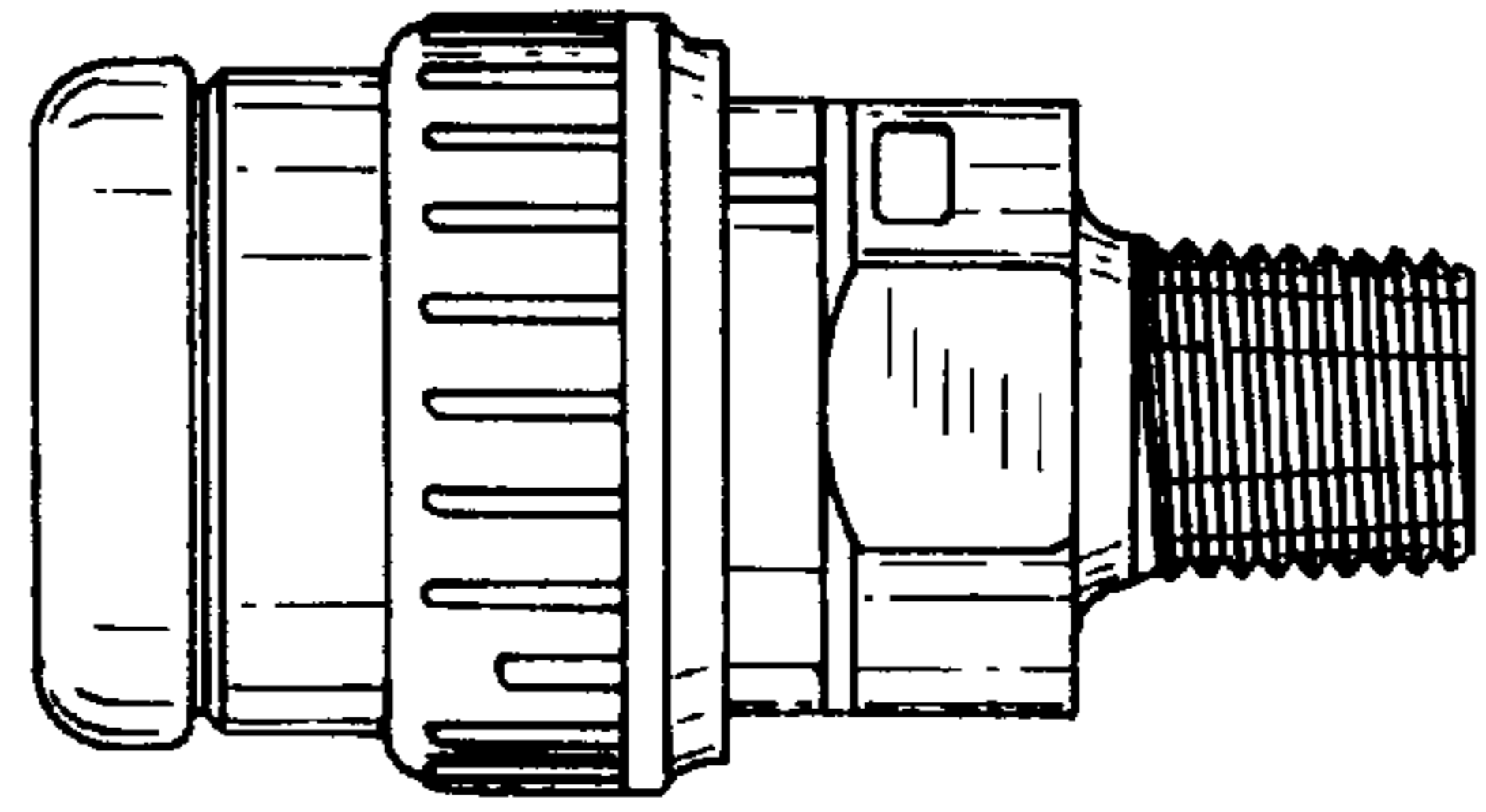
# FIG. 1



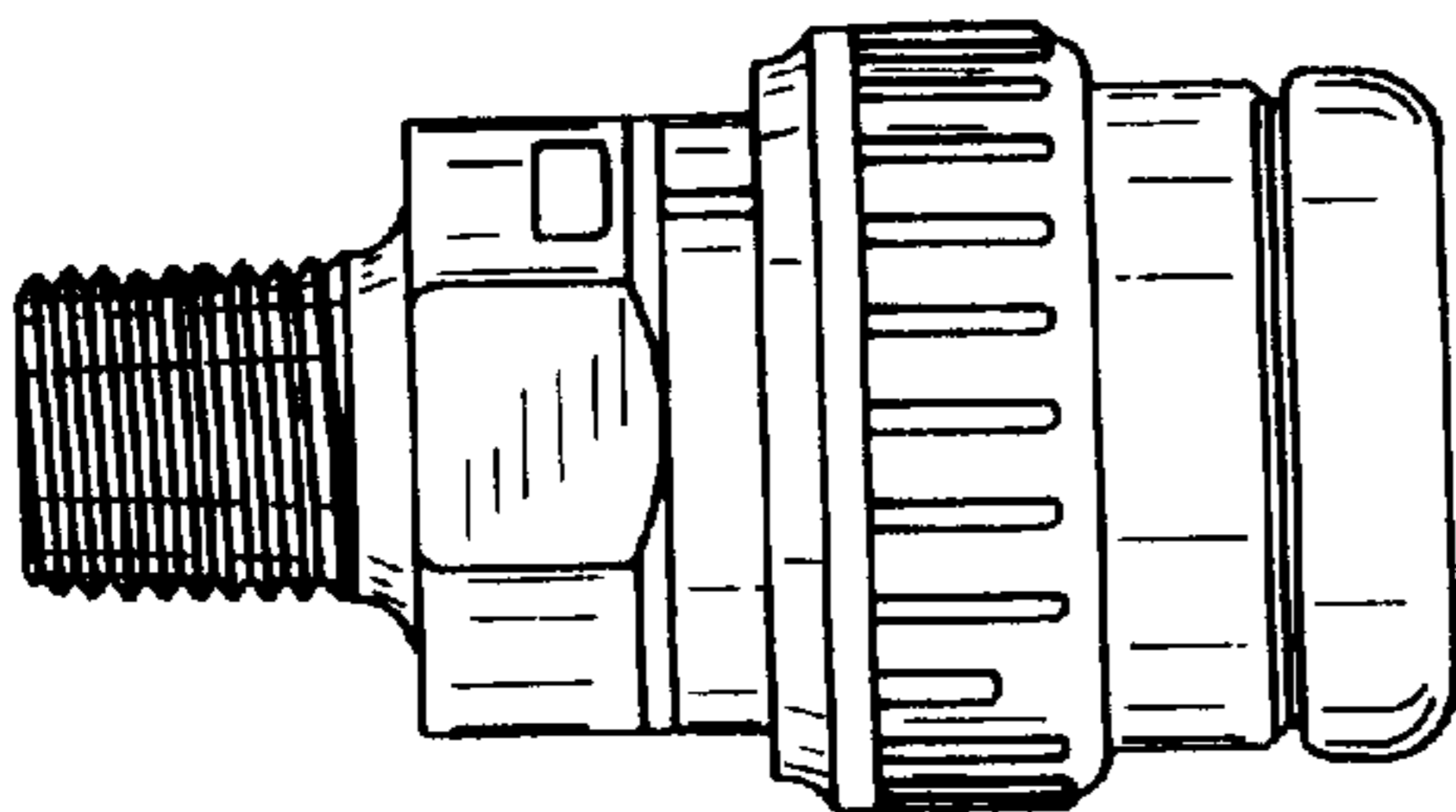
**FIG.2**



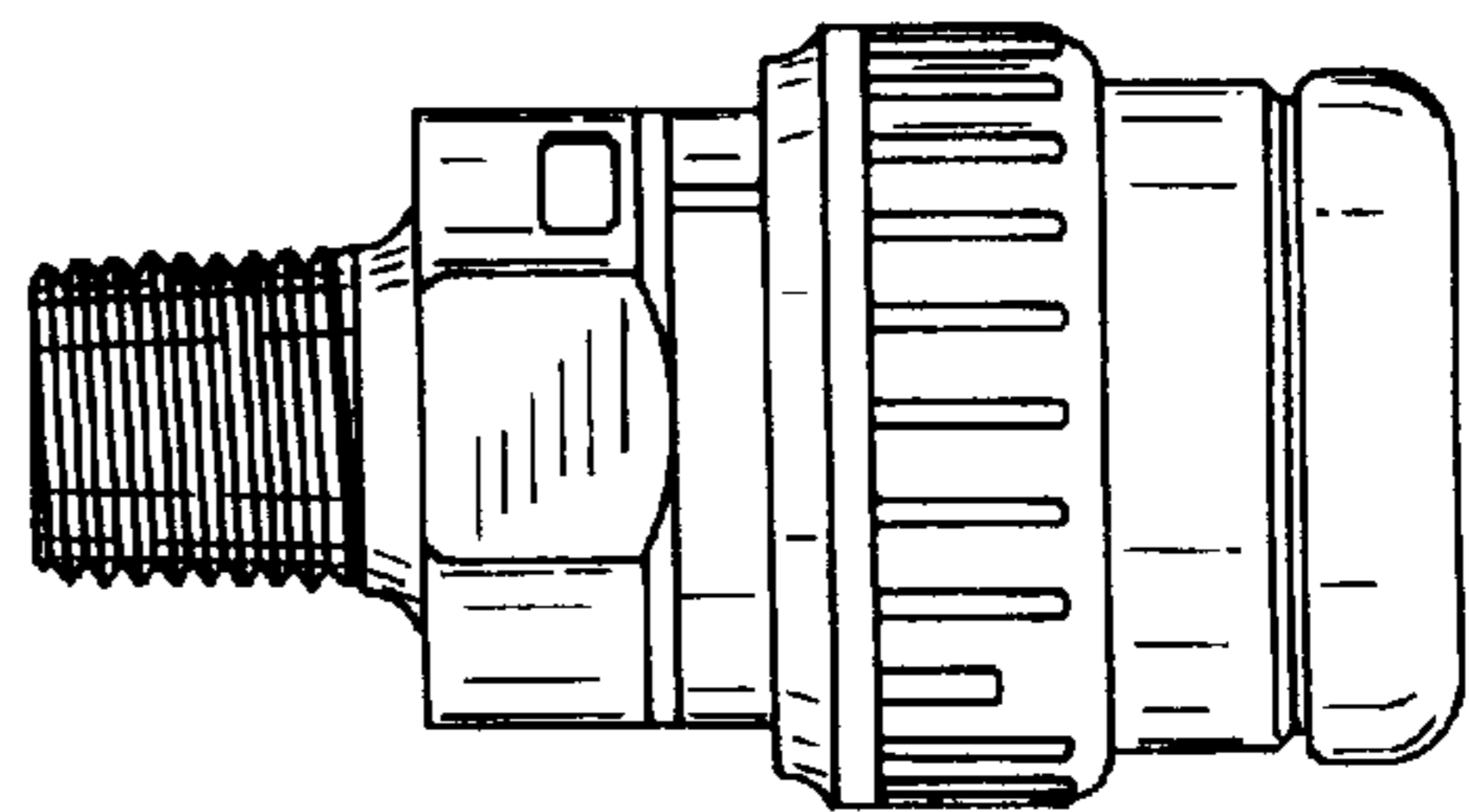
**FIG.4**



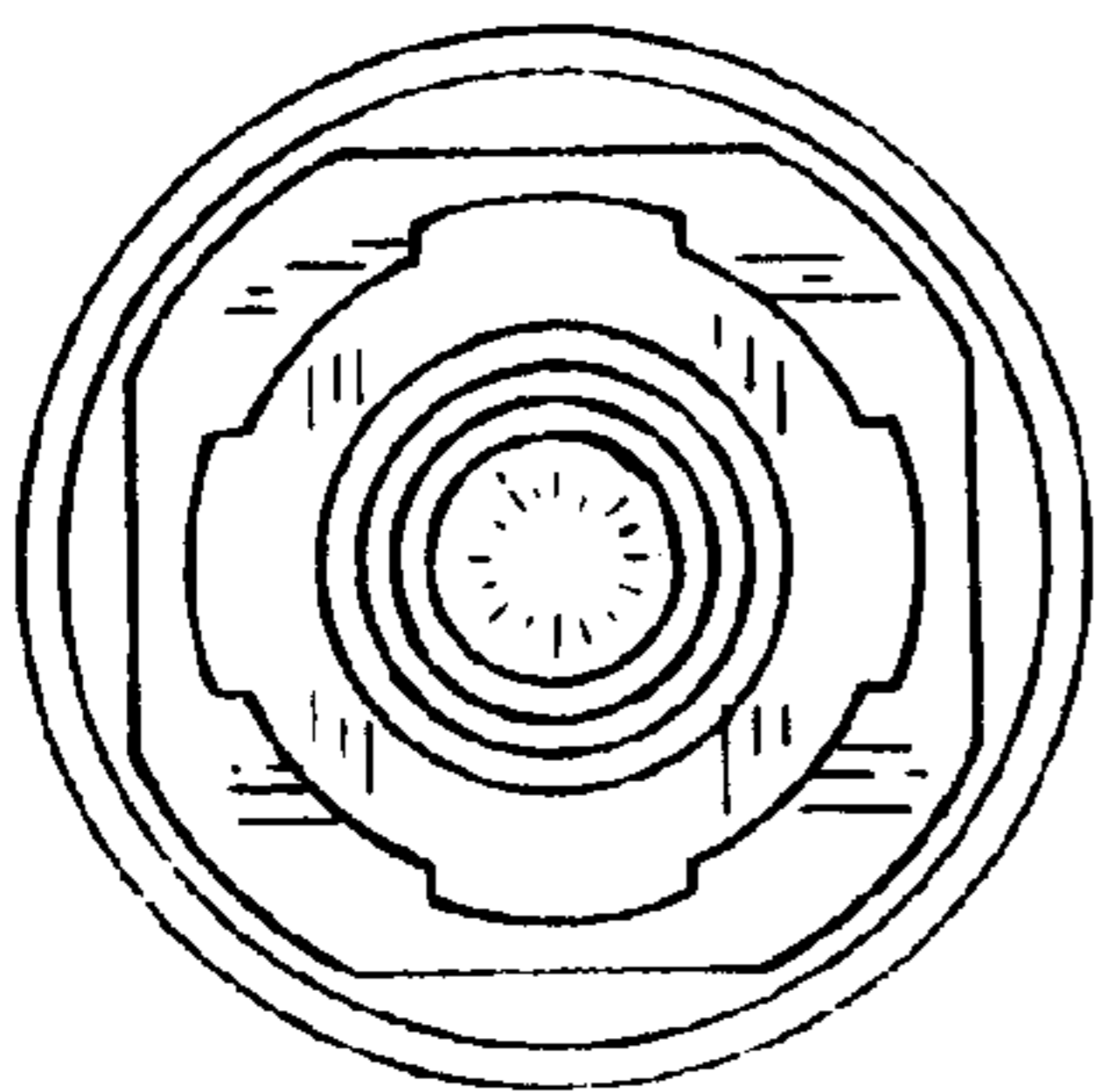
**FIG.3**



**FIG.5**



**FIG.6**



**FIG.7**

