



US00D412735S

United States Patent [19]
Gleason

[11] **Patent Number: Des. 412,735**

[45] **Date of Patent: ** Aug. 10, 1999**

[54] **GARDEN SPRINKLER**

3,326,551 6/1967 Clarke 239/567

[75] Inventor: **Kathleen B. Gleason**, Egg Harbor, Wis.

Primary Examiner—Robin V. Taylor
Attorney, Agent, or Firm—Reinhart, Boerner, Van Deuren,
Norris & Rieselbach, S.C.

[73] Assignee: **Dovetail Originals, Ltd.**, Egg Harbor,
Wis.

[**] Term: **14 Years**

[57] **CLAIM**

The ornamental design for a garden sprinkler, as shown and described.

[21] Appl. No.: **29/095,055**

DESCRIPTION

[22] Filed: **Oct. 15, 1998**

[51] **LOC (6) Cl.** **23-01**

[52] **U.S. Cl.** **D23/214**

[58] **Field of Search** D23/213, 214,
D23/215, 217; 239/16–19, 21, 211, 556,
557, 558, 567

FIG. 1 is a perspective view of a garden sprinkler in accordance of the invention;

FIG. 2 is a front view of the garden sprinkler shown in FIG. 1, the back view of such garden sprinkler being identical to the front view;

FIG. 3 is a side view of the garden sprinkler shown in FIG. 1, the other side being identical;

FIG. 4 is a top side view of a garden sprinkler shown in FIG. 1; and,

FIG. 5 is a bottom view of the garden sprinkler shown in FIG. 1.

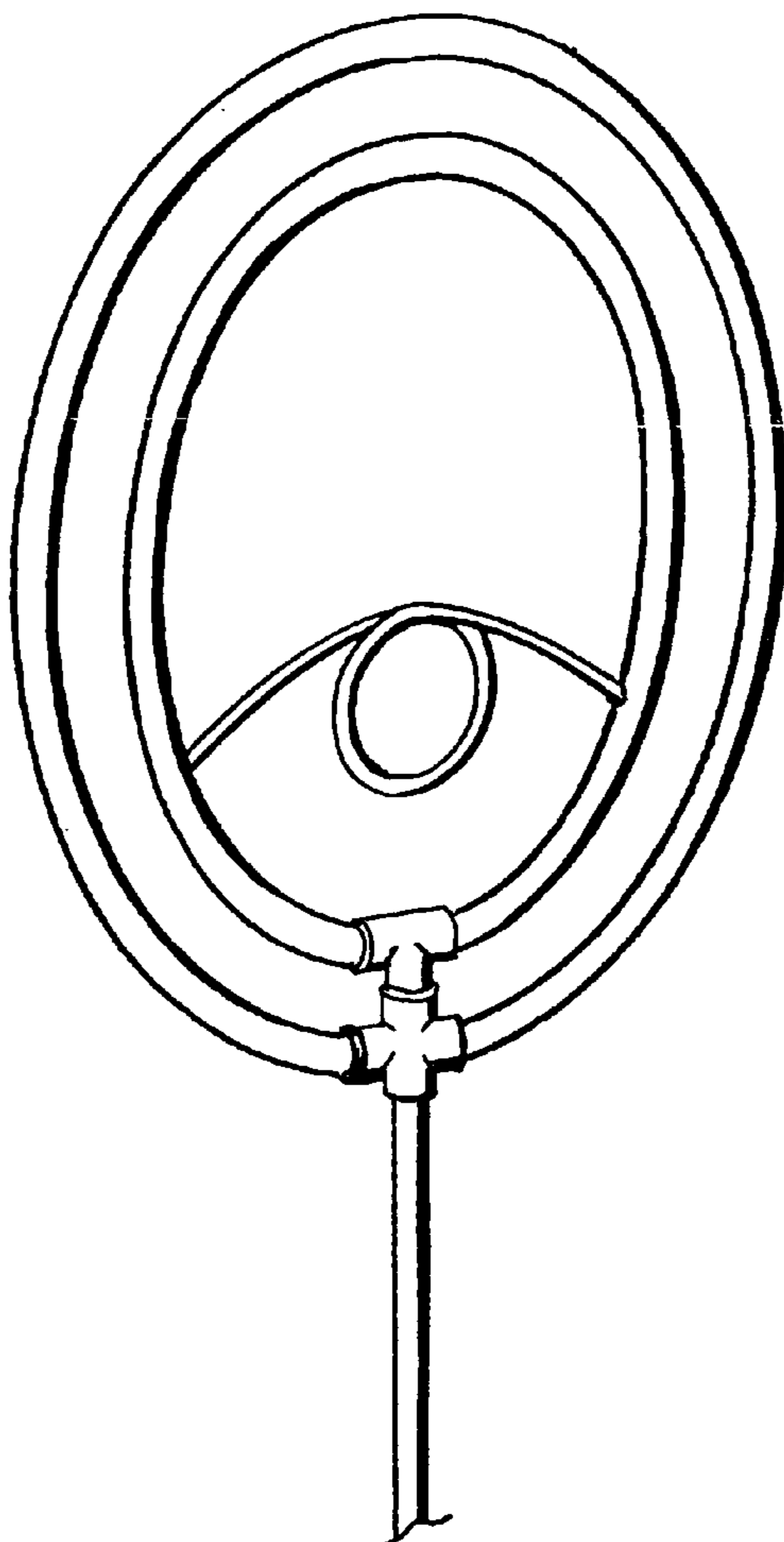
The support pole is shown fragmented in FIGS. 1–3 to indicate indeterminate length.

[56] **References Cited**

U.S. PATENT DOCUMENTS

D. 390,911	2/1998	Smith	D23/214
D. 391,339	2/1998	Smith	D23/214
D. 403,743	1/1999	Smith	D23/214
1,758,767	5/1930	Taggart	239/556
3,170,171	2/1965	Mayhew et al.	239/567

1 Claim, 1 Drawing Sheet



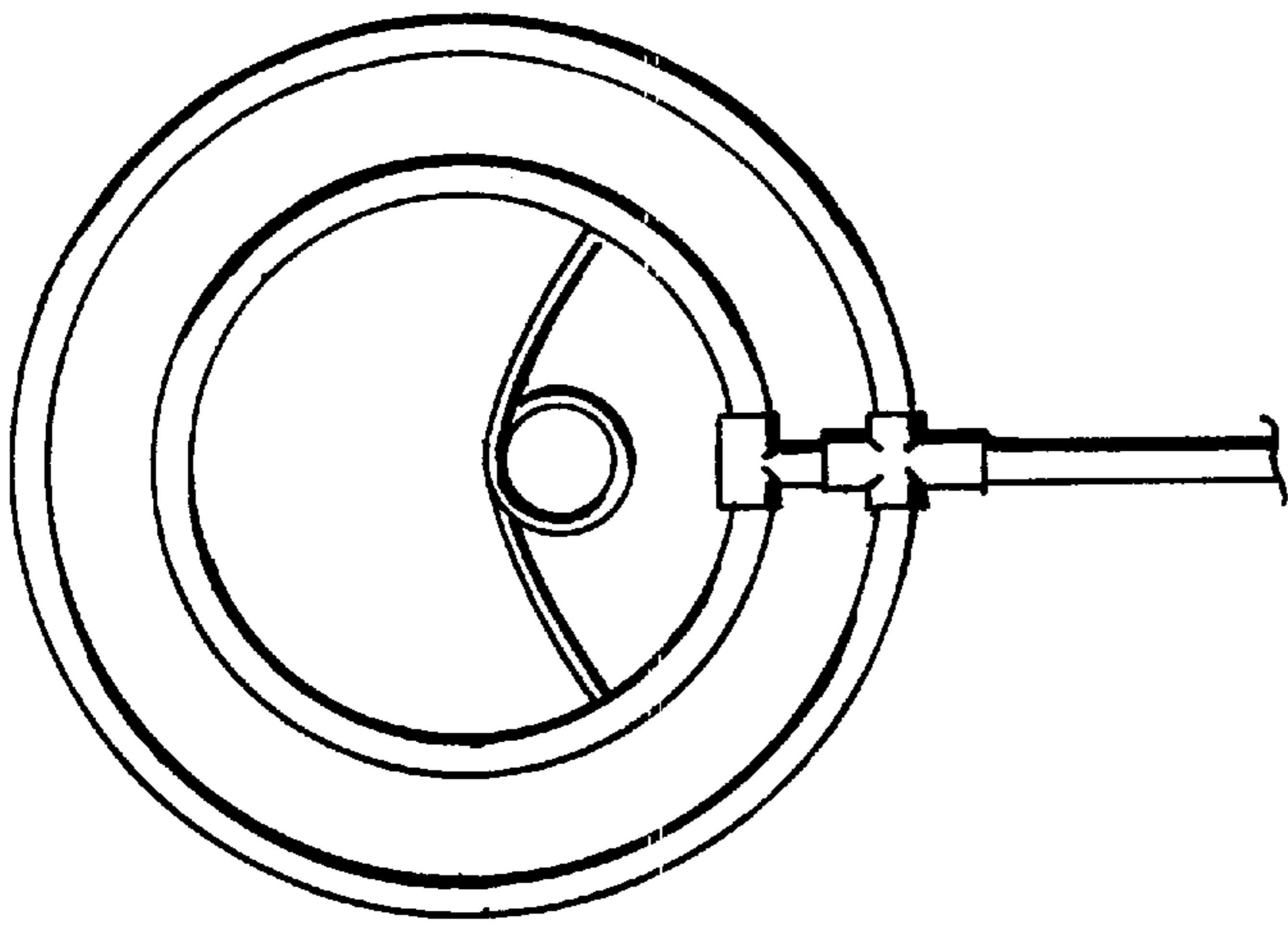


Fig. 2



Fig. 3

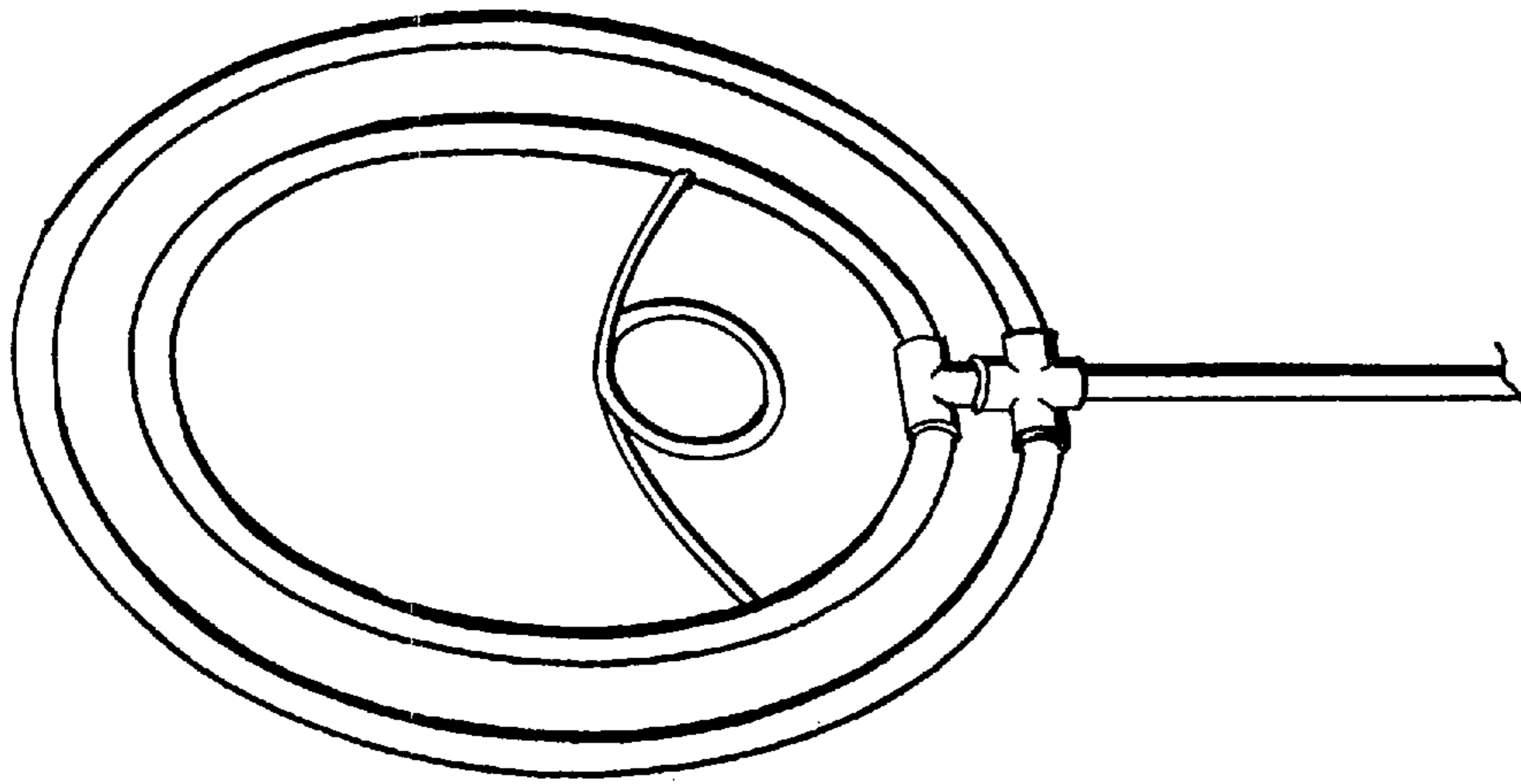


Fig. 1



Fig. 4



Fig. 5