



US00D412731S

United States Patent [19] Cheung

[11] Patent Number: Des. 412,731

[45] Date of Patent: ** Aug. 10, 1999

[54] **PYROTECHNIC ROCKET**

[75] Inventor: **Ewan Chi Yuen Cheung**, Causeway Bay, The Hong Kong Special Administrative Region of the People's Republic of China

[73] Assignee: **Inter-Oriental Pyrotechnic Ltd.**, Hong Kong, The Hong Kong Special Administrative Region of the People's Republic of China

[**] Term: **14 Years**

[21] Appl. No.: **29/096,202**

[22] Filed: **Nov. 6, 1998**

[51] **LOC (6) Cl.** **22-03**

[52] **U.S. Cl.** **D22/112; D22/199**

[58] **Field of Search** D22/100, 112, D22/199; D21/741, 658, 588, 659, 587; 102/334, 361, 399, 400; 446/399, 400, 401, 402; D11/121, 125, 160

[56] **References Cited**

U.S. PATENT DOCUMENTS

282,891 8/1883 Hirayama 102/399

D. 361,367	8/1995	Shair	D22/112
385,562	7/1888	Mannie	102/399
D. 391,191	2/1998	Cohen	D11/121
2,361,841	10/1944	Healy	102/399
2,718,094	9/1955	MacInnes	102/400
2,752,729	7/1956	MacInnes	102/400

Primary Examiner—B. J. Bullock
Assistant Examiner—Monica A. Weingart
Attorney, Agent, or Firm—E. Alan Uebler, PA.

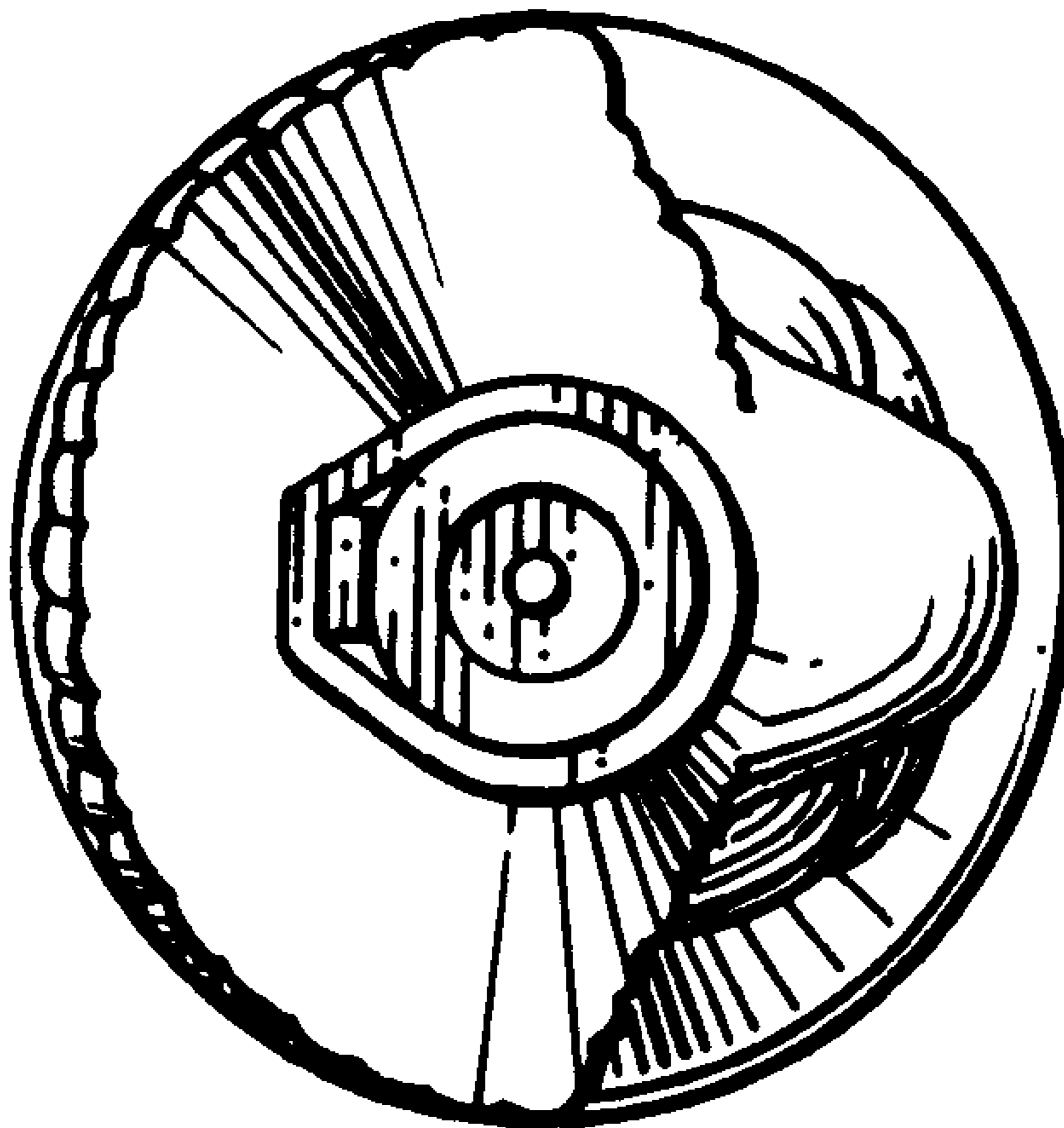
[57] **CLAIM**

The ornamental design for a pyrotechnic rocket, as shown and described.

DESCRIPTION

FIG. 1 is a front elevational view of a pyrotechnic rocket according to this invention;
FIG. 2 is a rear elevational view;
FIG. 3 is a right side elevational view of the pyrotechnic rocket, the left side elevation being a mirror image thereof;
FIG. 4 is a top plan view thereof; and,
FIG. 5 is a bottom plan view thereof.

1 Claim, 2 Drawing Sheets



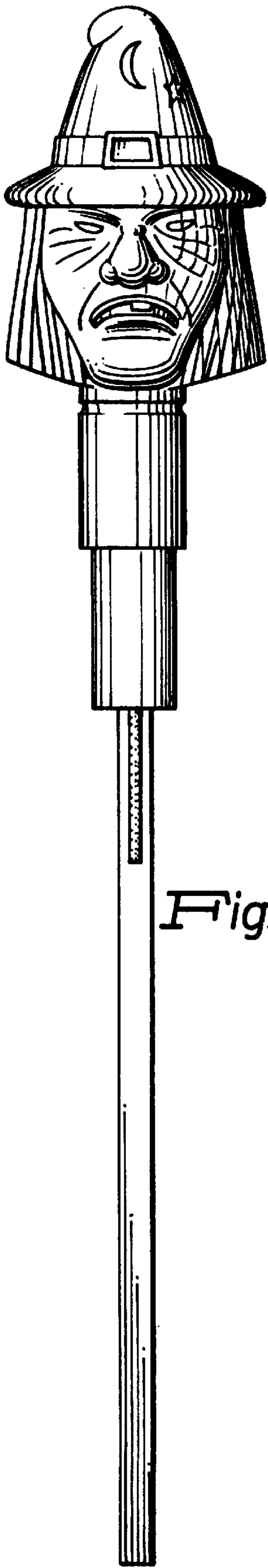


Fig. 1.

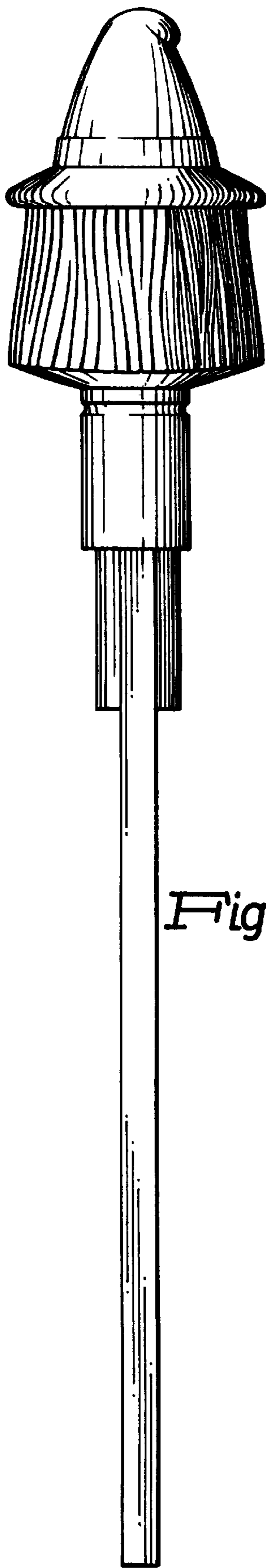


Fig. 2.

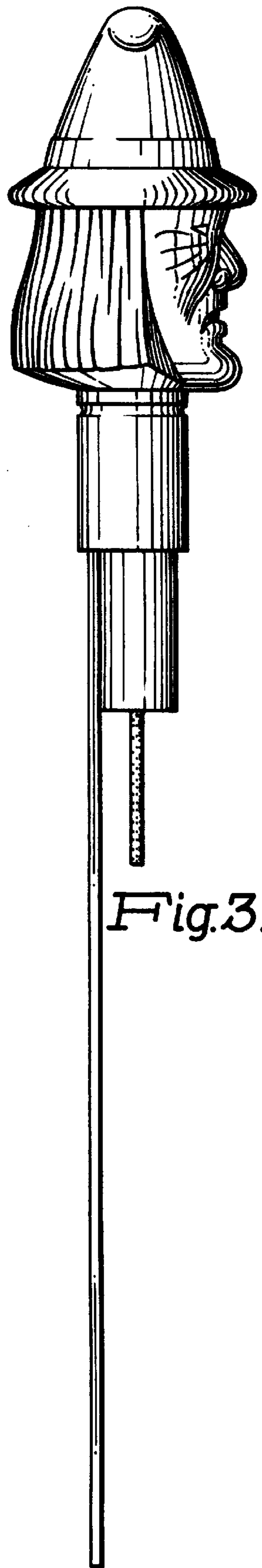


Fig. 3.

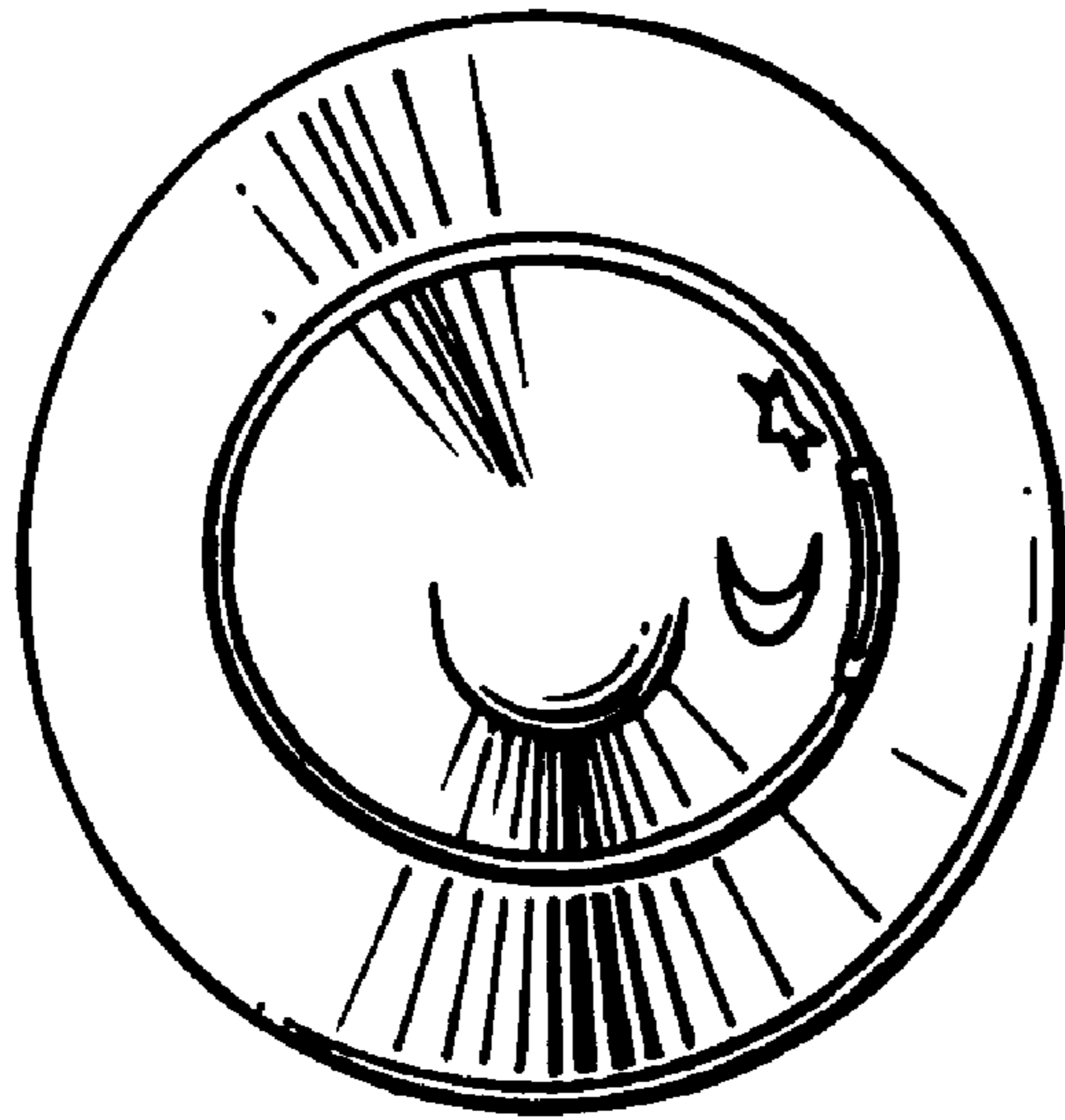


Fig. 4.

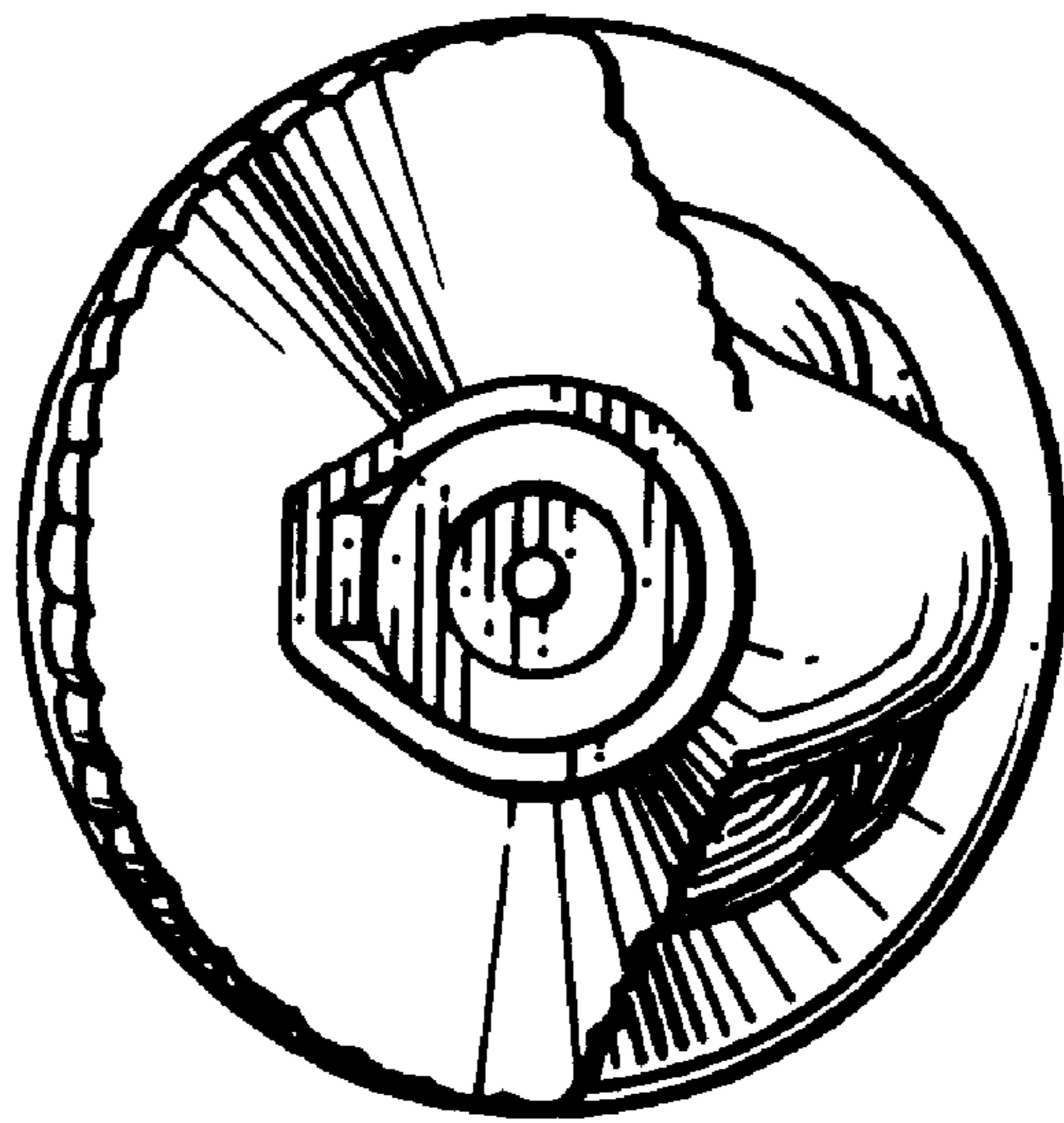


Fig. 5.