



US00D412729S

United States Patent [19] Woodward

[11] Patent Number: Des. 412,729

[45] Date of Patent: ** Aug. 10, 1999

[54] GOLF PUTTER HEAD

[76] Inventor: Donald I. Woodward, 44 Seaside Dr.,
Jamestown, R.I. 02835

[**] Term: 14 Years

[21] Appl. No.: 29/090,915

[22] Filed: Jul. 20, 1998

[51] LOC (6) Cl. 21-03

[52] U.S. Cl. D21/743

[58] Field of Search D21/736, 746;
473/324, 327, 328, 340, 341, 251-256

[56] **References Cited**

U.S. PATENT DOCUMENTS

D. 204,001	3/1966	Lubin	D21/739
D. 232,371	8/1974	Beker	D21/741
D. 246,329	11/1977	Little	D21/739
D. 247,382	2/1978	Adkins	D21/743
D. 306,629	3/1990	Shearer	D21/743
D. 378,934	4/1997	Clanton	D21/217
656,099	8/1900	Dunn	473/330
1,525,137	3/1925	Lawton	473/330
1,678,637	7/1928	Drevitson	473/330
2,478,468	8/1949	Drake	473/313
2,665,909	1/1954	Wilson	473/330
3,226,120	12/1965	Borah	473/325
3,394,937	7/1968	Allport	473/330
3,595,582	7/1971	Chapman	D21/218
3,909,005	9/1975	Pizsel	473/330
3,989,257	11/1976	Barr	473/330
4,162,074	7/1979	Thompson	473/330
4,165,076	8/1979	Cella	473/325

4,508,342	4/1985	Drake	473/313
4,776,594	10/1988	Rango	473/325
4,861,038	8/1989	Fucinato	473/340
4,881,737	11/1989	Mullins	473/330
4,902,015	2/1990	Nebbia	473/330
5,090,698	2/1992	Kleinfelter	473/313
5,193,806	3/1993	Burkly	473/313
5,303,923	4/1994	Garcia	473/330
5,354,060	10/1994	Wooten	473/330
5,362,056	11/1994	Minotti	473/340
5,433,441	7/1995	Olsen	473/340
5,447,310	9/1995	Jernigan	473/341
5,501,461	3/1996	Donofrio	473/341
5,558,332	9/1996	Cook	473/341
5,577,965	11/1996	Burgess	473/340
5,597,364	1/1997	Thompson	473/330
5,628,696	5/1997	Frye	473/328
5,632,694	5/1997	Lee	473/341
5,692,969	12/1997	Schooler	473/313
5,716,290	2/1998	Baker	473/313

Primary Examiner—Mitchell I. Siegel

[57] **CLAIM**

The ornamental design for a golf putter head, as shown and described.

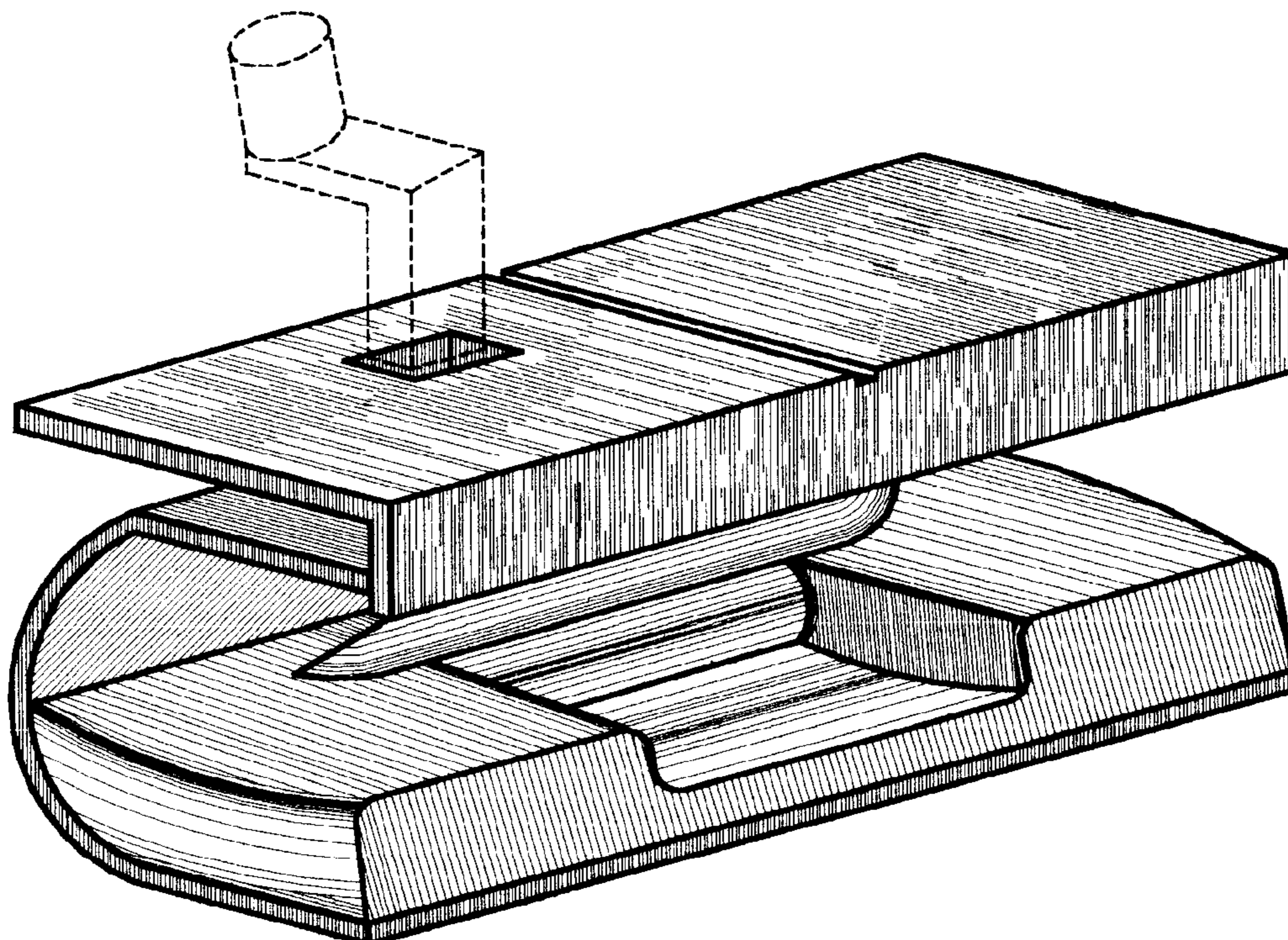
DESCRIPTION

FIG. 1 is a rear perspective view; and, FIG. 2 is a front perspective view.

The undisclosed surfaces of the golf putter head forms no part of the claimed design.

The broken line showing of the hosel is for illustrative purposes only and forms no part of the claimed design.

1 Claim, 1 Drawing Sheet



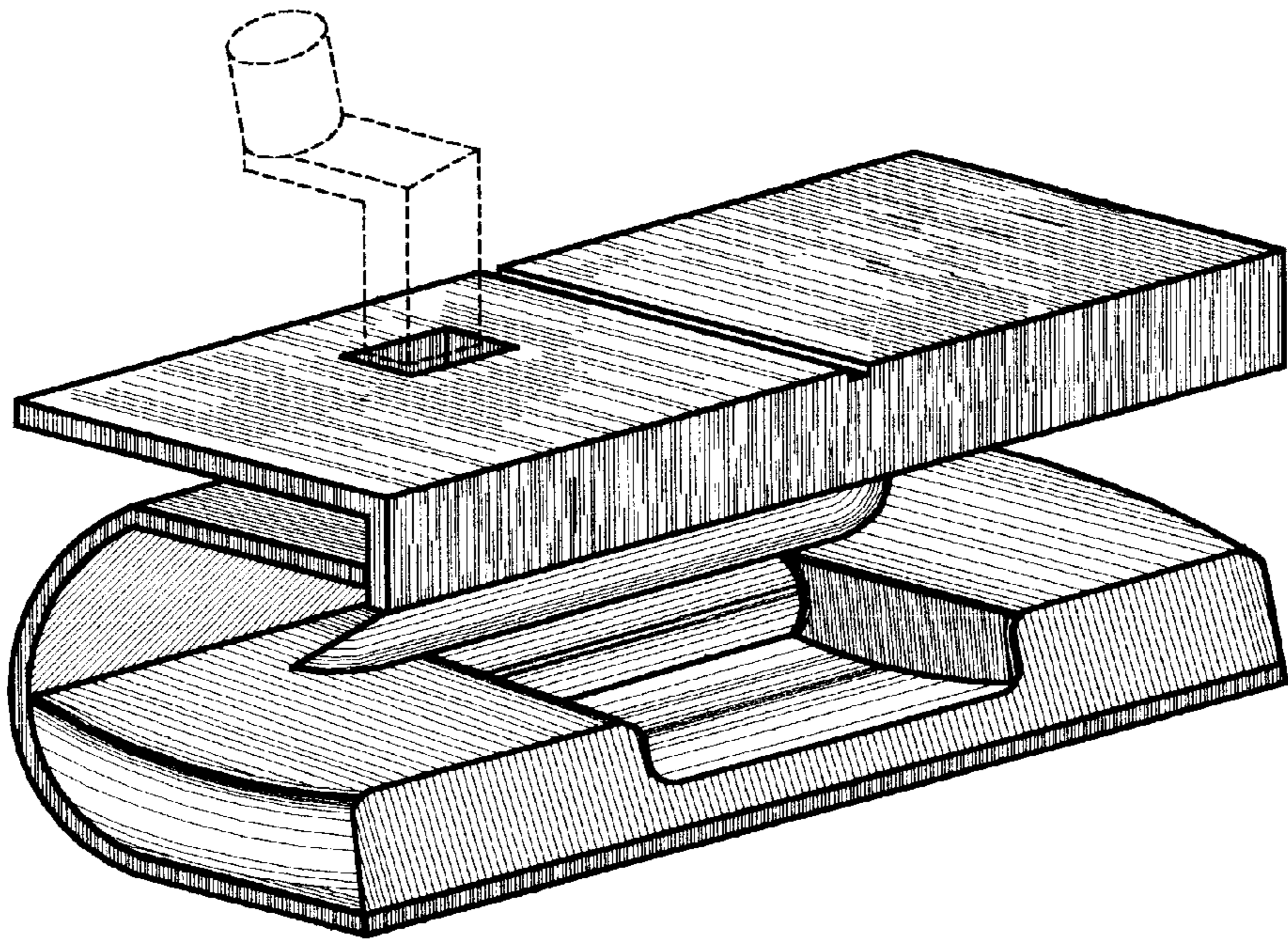


FIG. 1

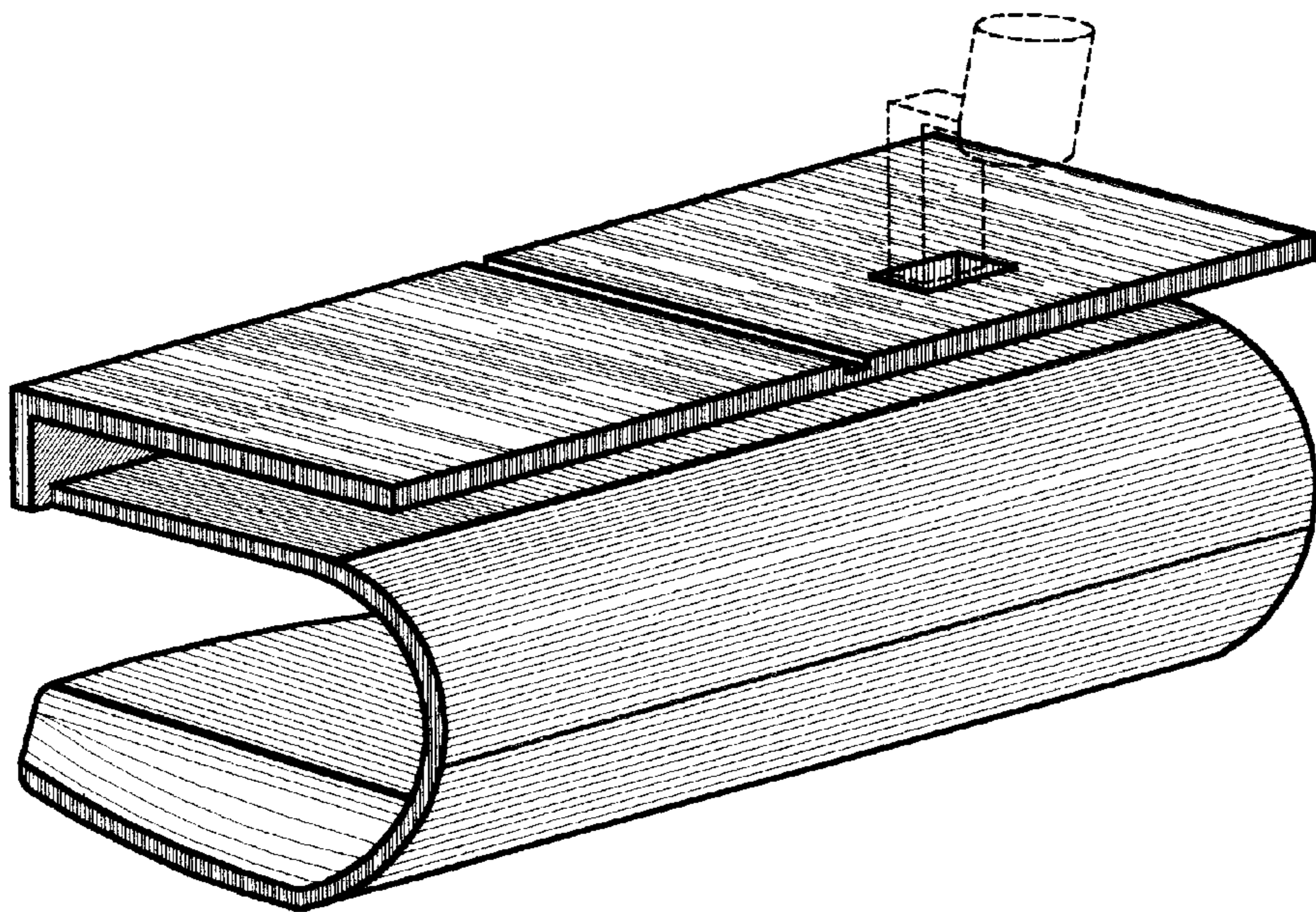


FIG. 2