



US00D412726S

United States Patent [19]
Leadbetter

[11] **Patent Number: Des. 412,726**

[45] **Date of Patent: ** Aug. 10, 1999**

[54] **DOLLS HOUSE**

4,755,159 7/1988 Templeton et al. 446/110
5,423,709 6/1995 Summers 446/108

[75] Inventor: **Paul Leadbetter**, Søborg, Denmark

[73] Assignee: **INTERLEGO AG**, Baar, Switzerland

[**] Term: **14 Years**

Primary Examiner—Raphael Barkai
Attorney, Agent, or Firm—Kane,Dalsimer,Sullivan, Kurucz,
Levy, Eisele and Richard, LLP

[21] Appl. No.: **29/095,012**

[22] Filed: **Oct. 14, 1998**

[57] **CLAIM**

The ornamental design for a dolls house, as shown and described.

[51] **LOC (6) Cl.** **21-01**

[52] **U.S. Cl.** **D21/506; D21/490; D21/503**

[58] **Field of Search** D21/484-511;
446/85, 102, 104-107, 108, 110, 109, 111,
120, 125, 128, 476, 478

DESCRIPTION

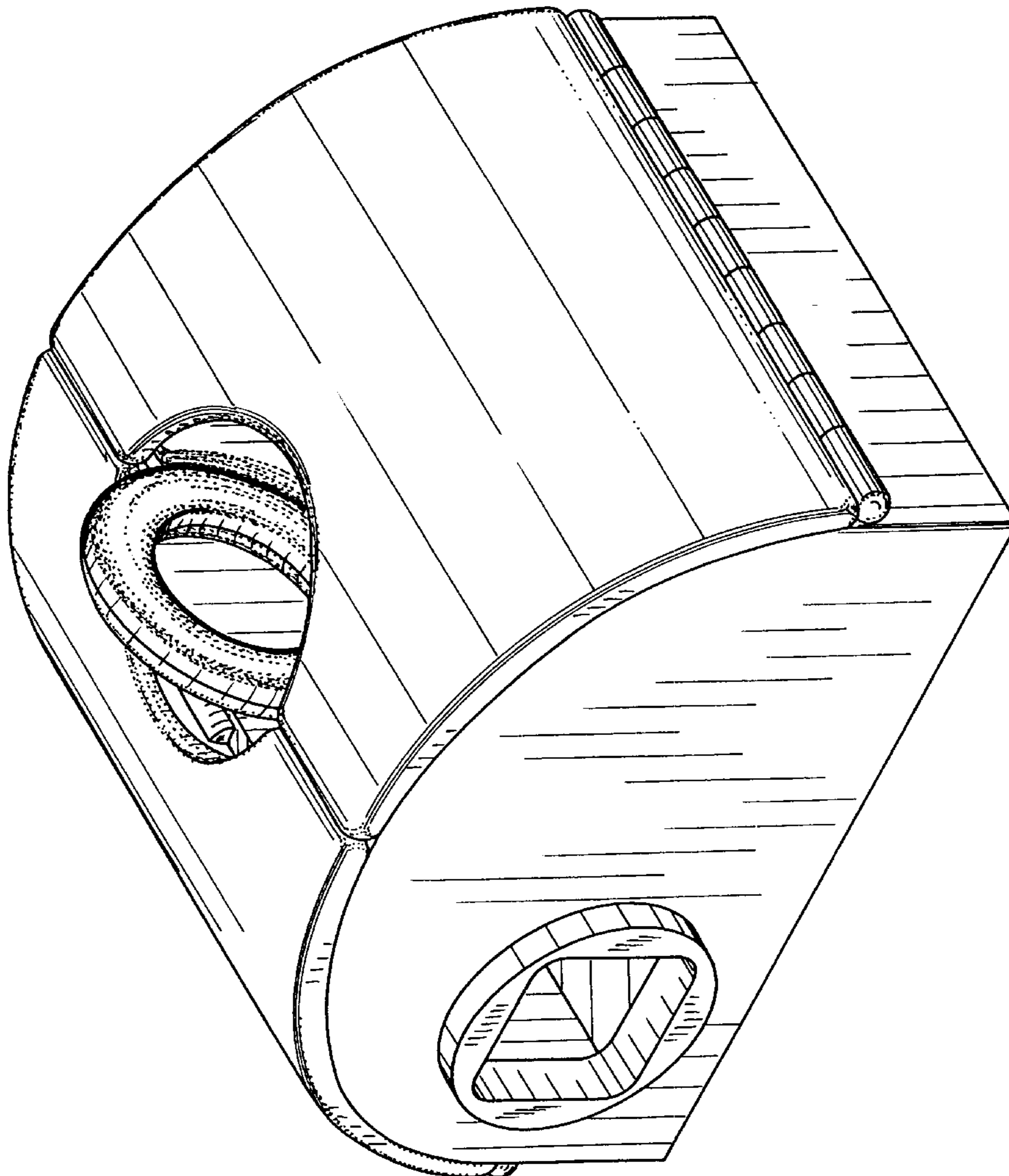
FIG. 1 is a top perspective view of the dolls house,
FIG. 2 is a top plan view thereof,
FIG. 3 is a front elevational view thereof,
FIG. 4 is a bottom plan view thereof,
FIG. 5 is a right side elevational view thereof,
FIG. 6 is a left side elevational view thereof,
FIG. 7 is rear elevational view thereof,
FIG. 8 is a bottom perspective view thereof; and,
FIG. 9 is a top perspective view in an alternative position.

[56] **References Cited**

U.S. PATENT DOCUMENTS

D. 234,307	2/1975	Bowley	D21/506
D. 294,607	3/1988	Zacherle et al.	D21/506
D. 363,095	10/1995	Voldmester	D21/503
D. 396,254	7/1998	Nielsen	D21/506

1 Claim, 6 Drawing Sheets



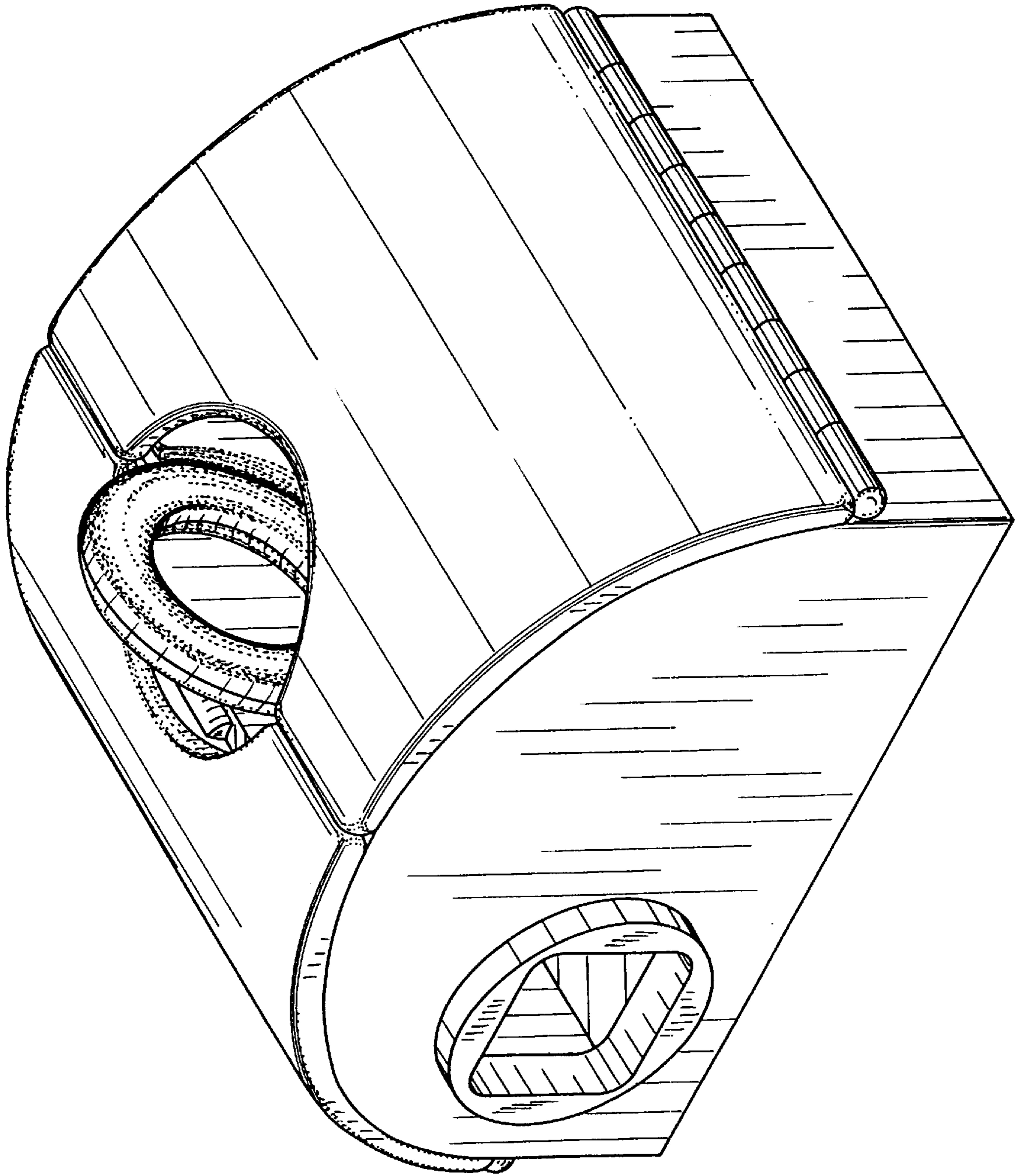


FIG. 1

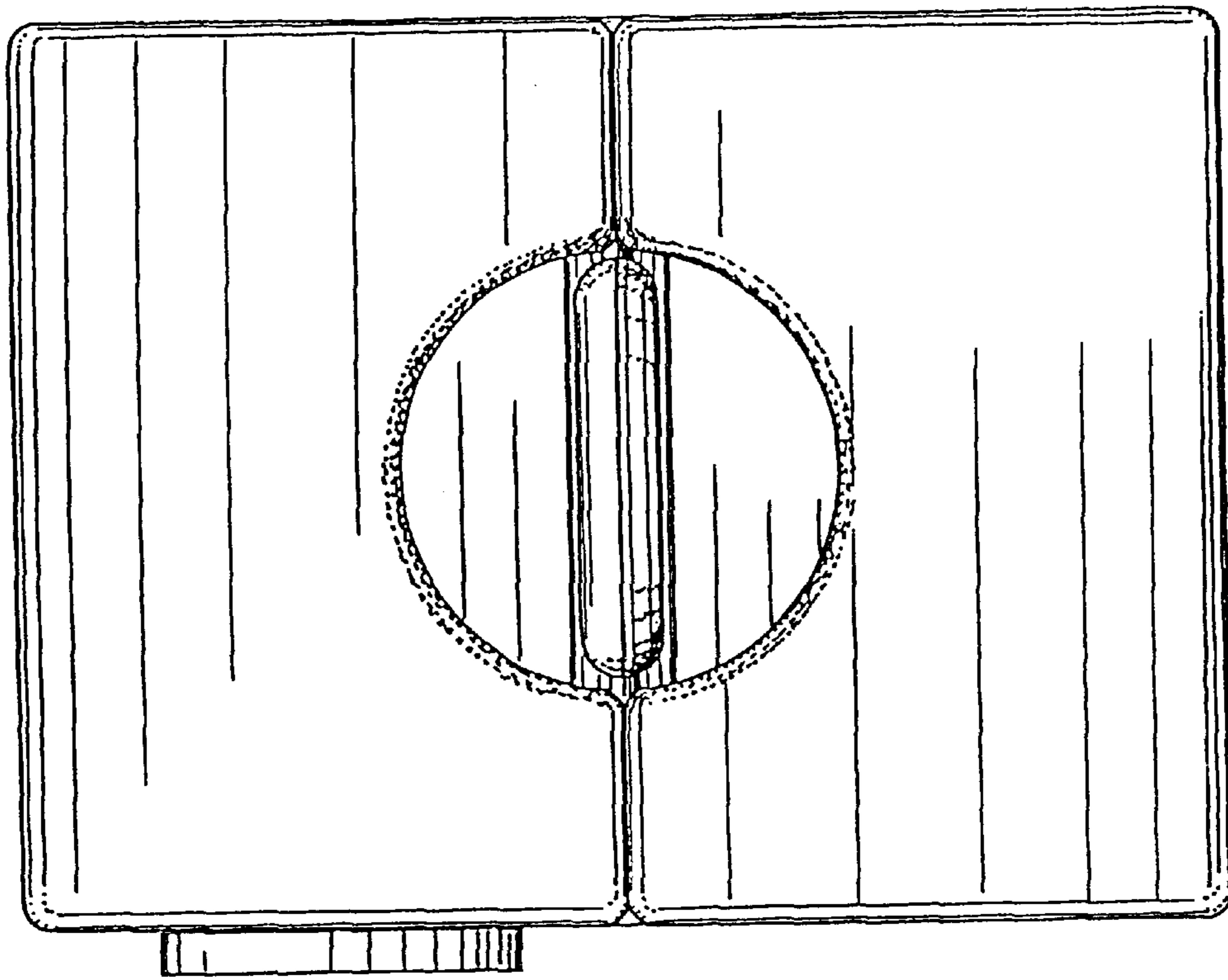


Fig. 2

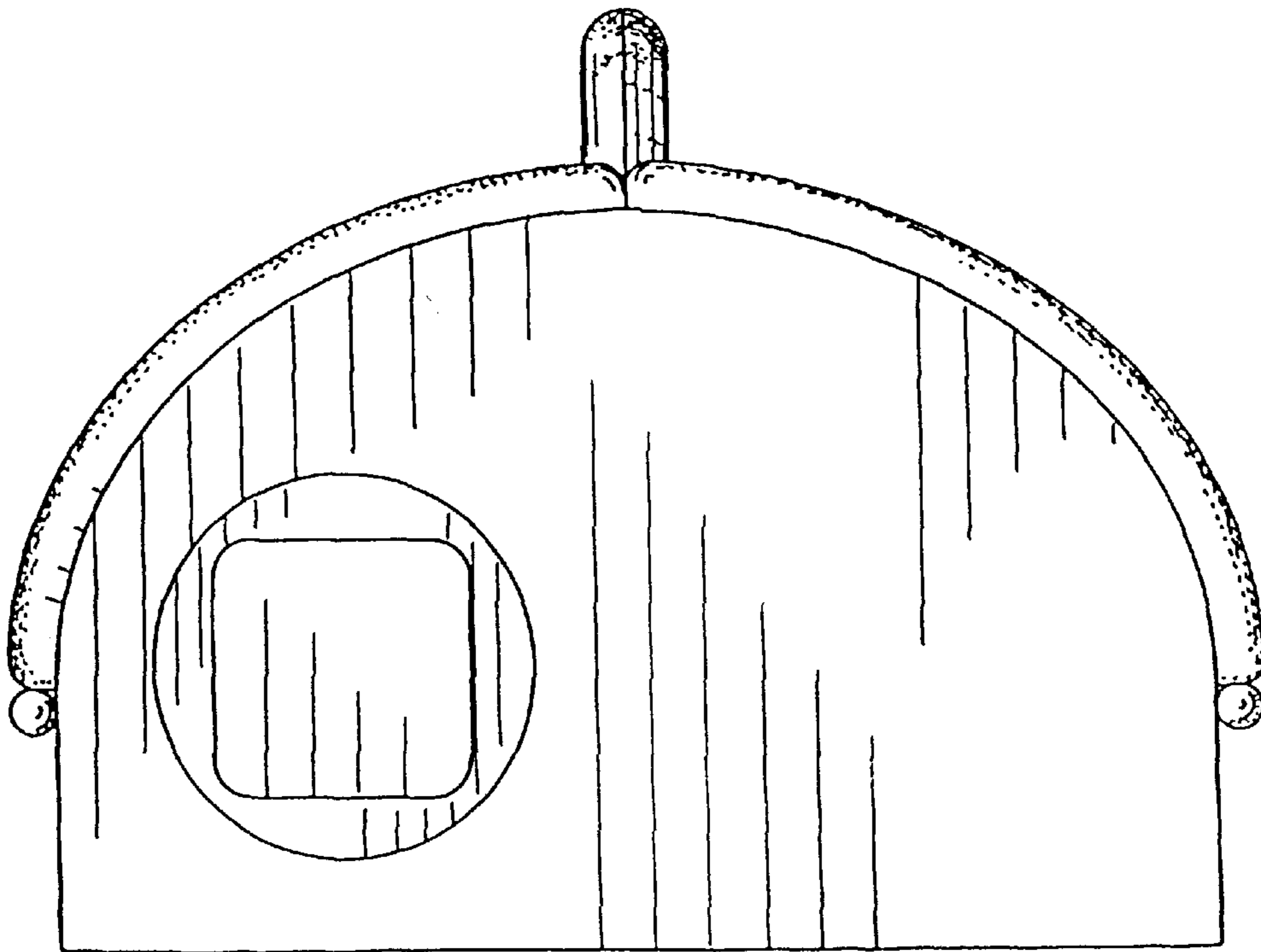


Fig. 3

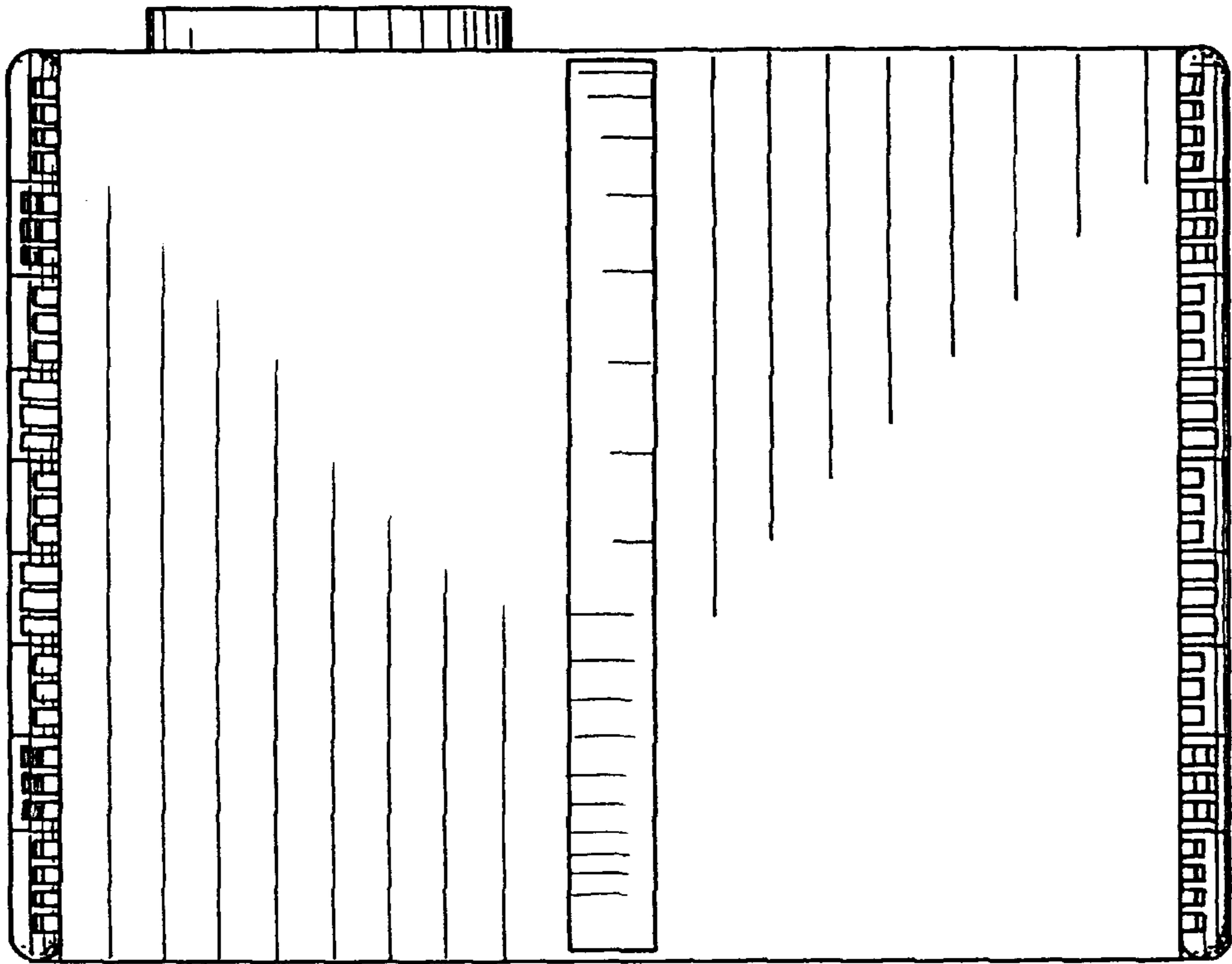


FIG. 4

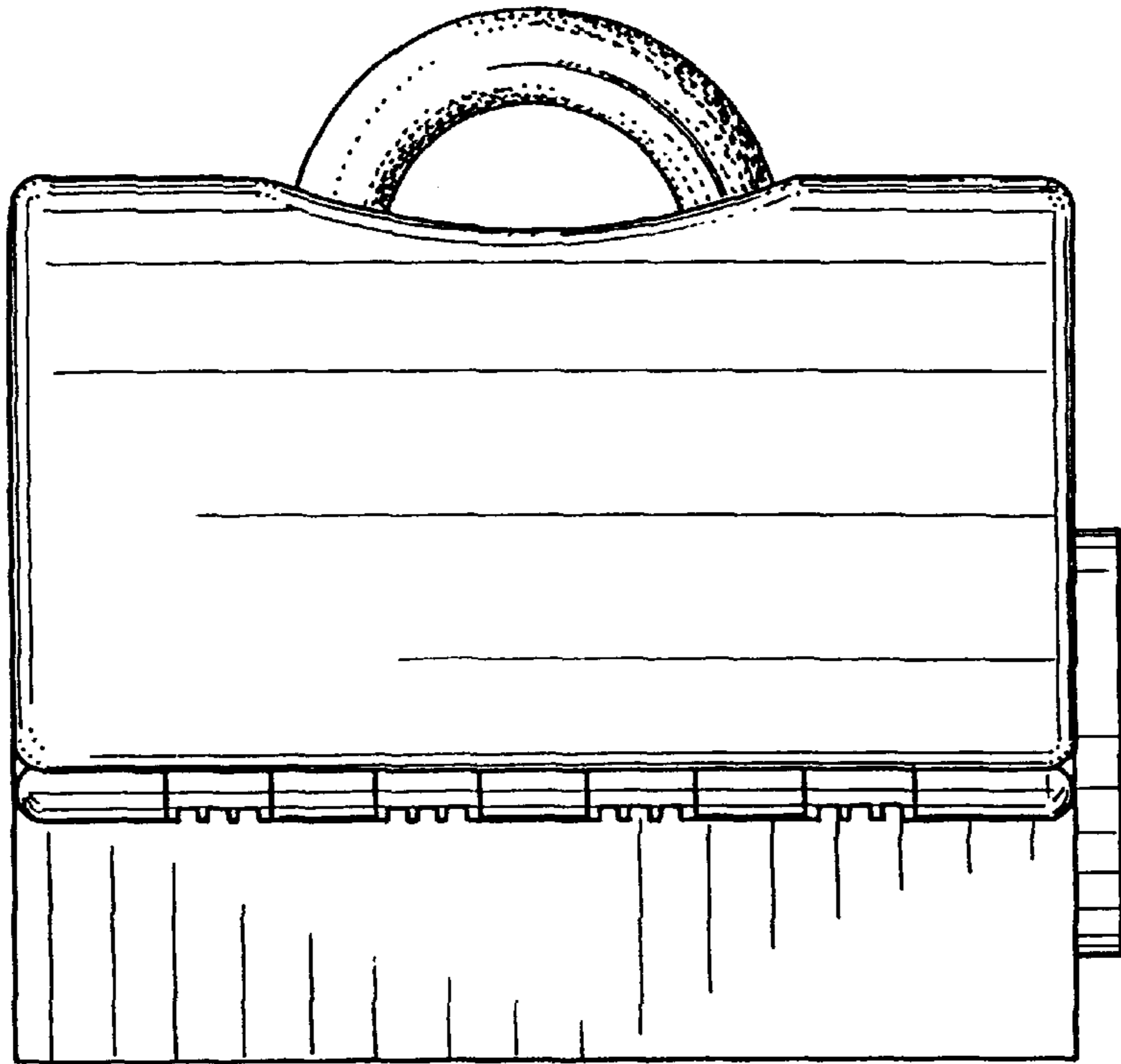


FIG. 5

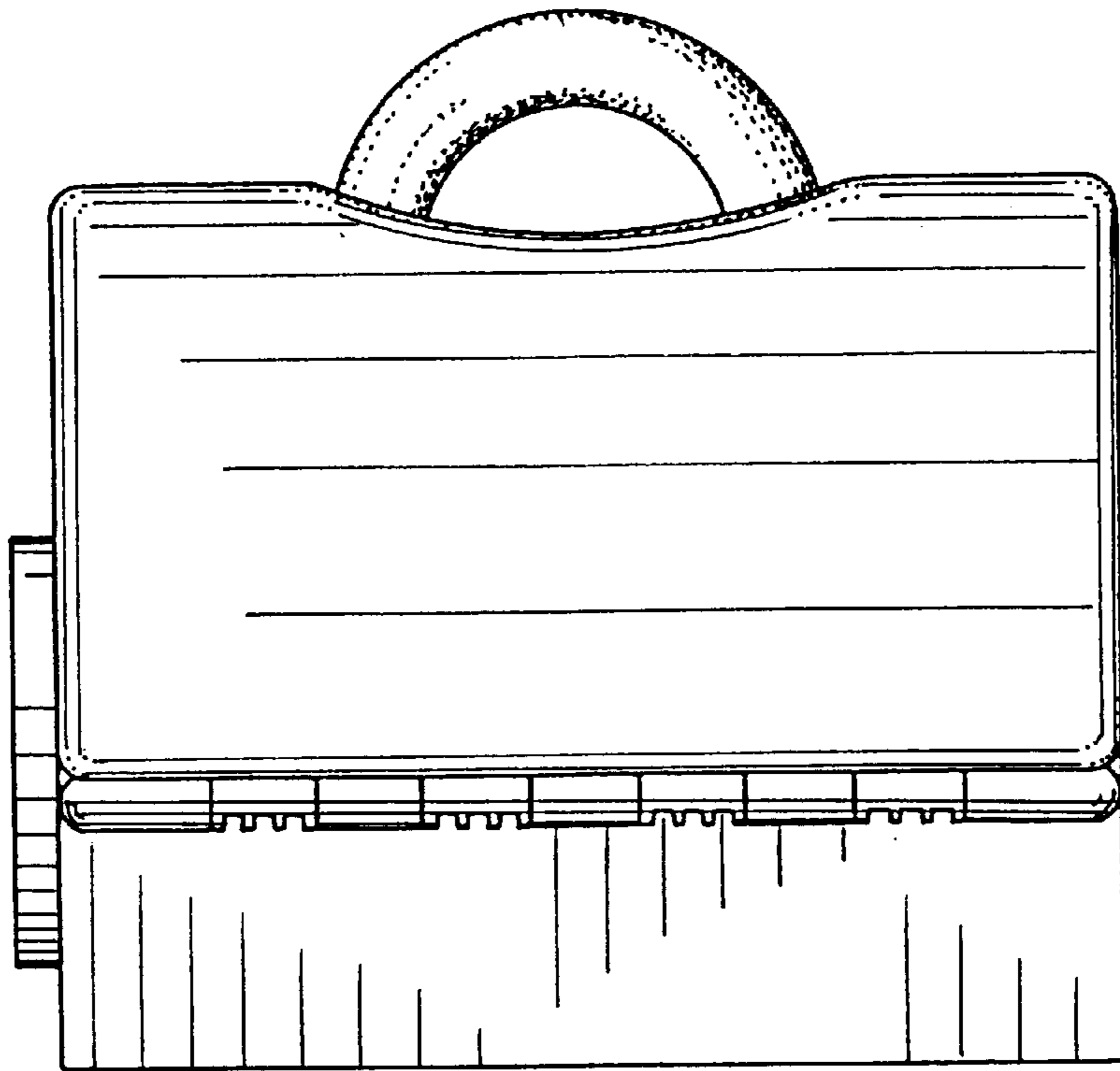


FIG. 6

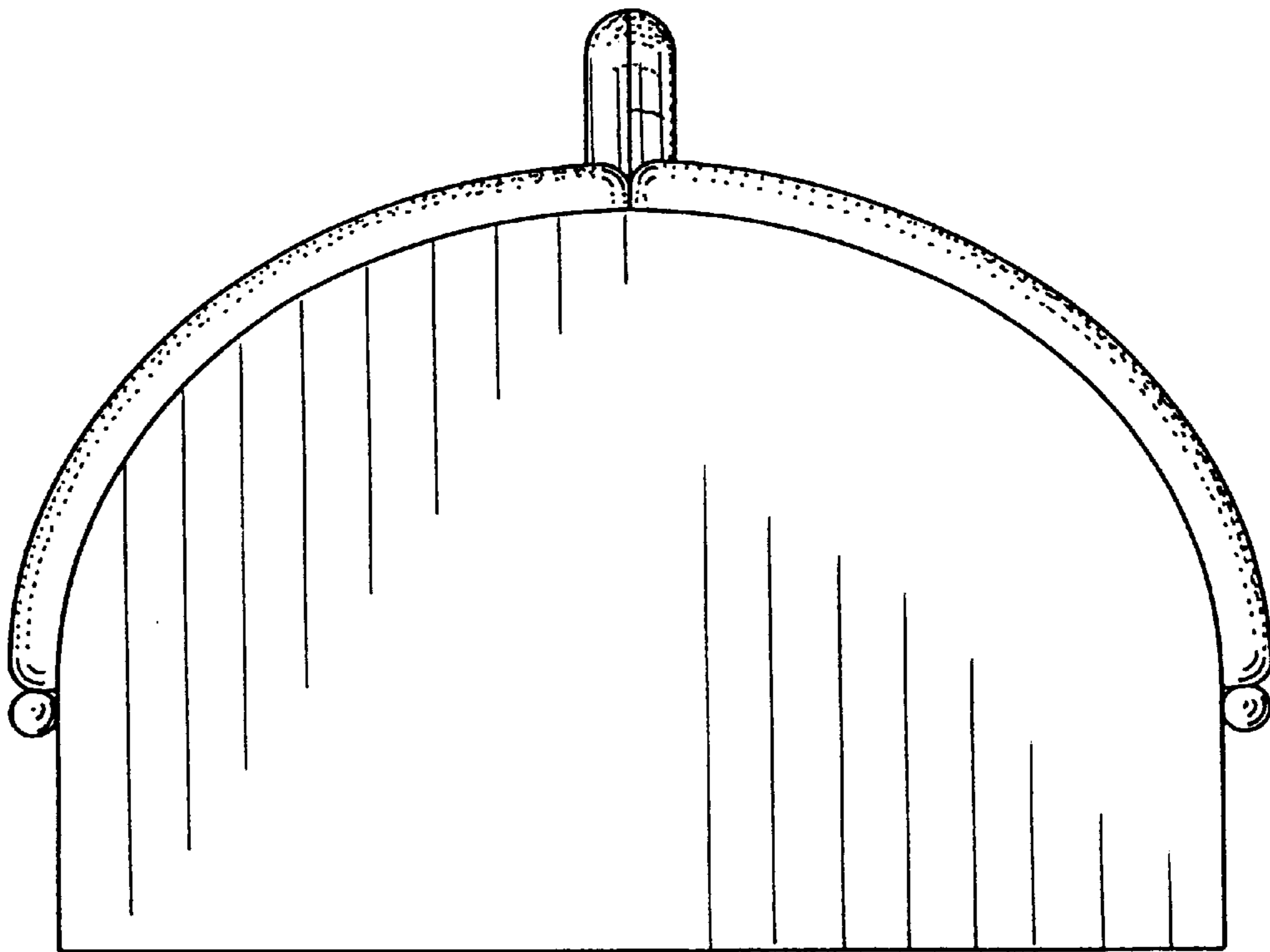


FIG. 7

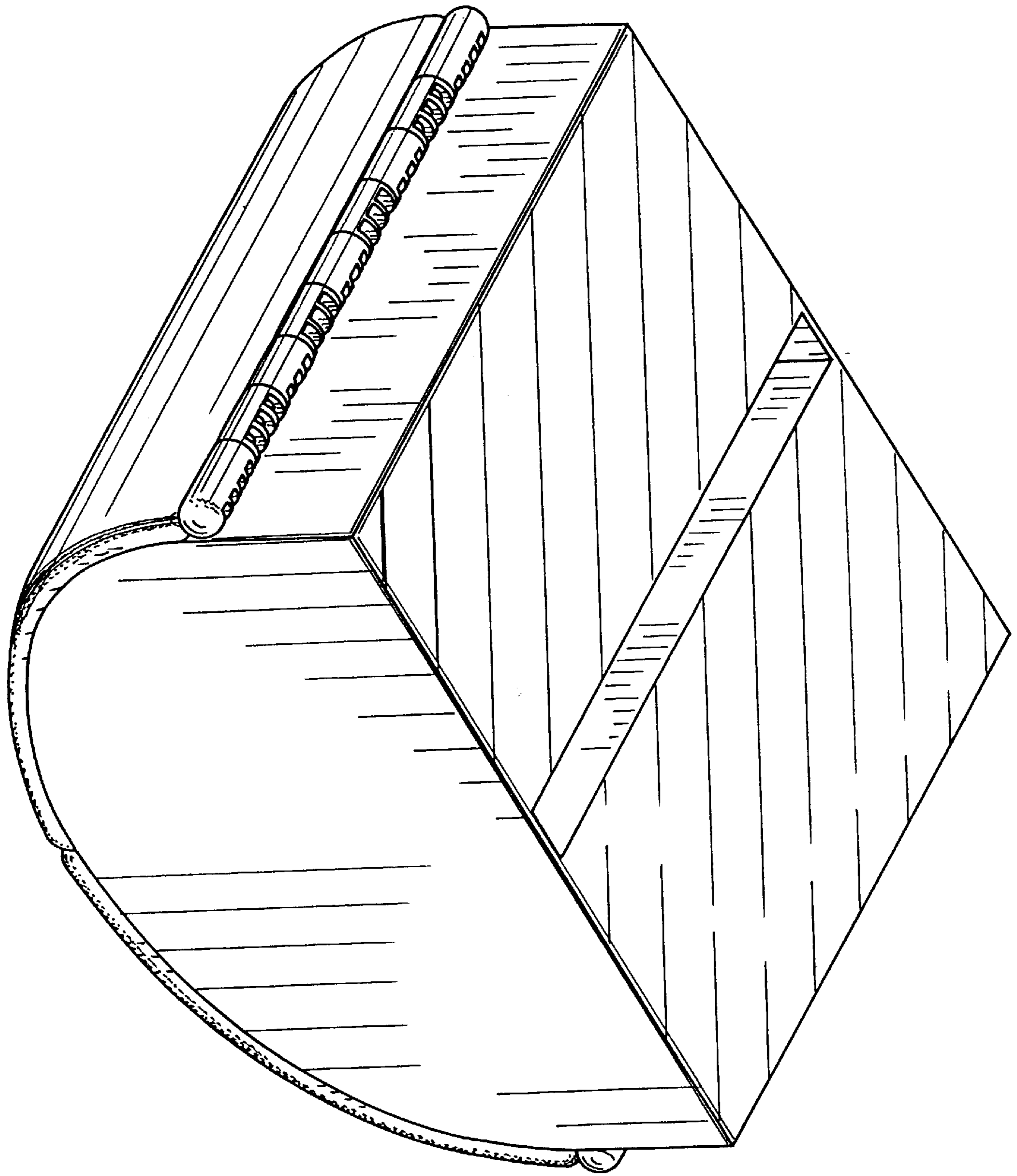


FIG. 8

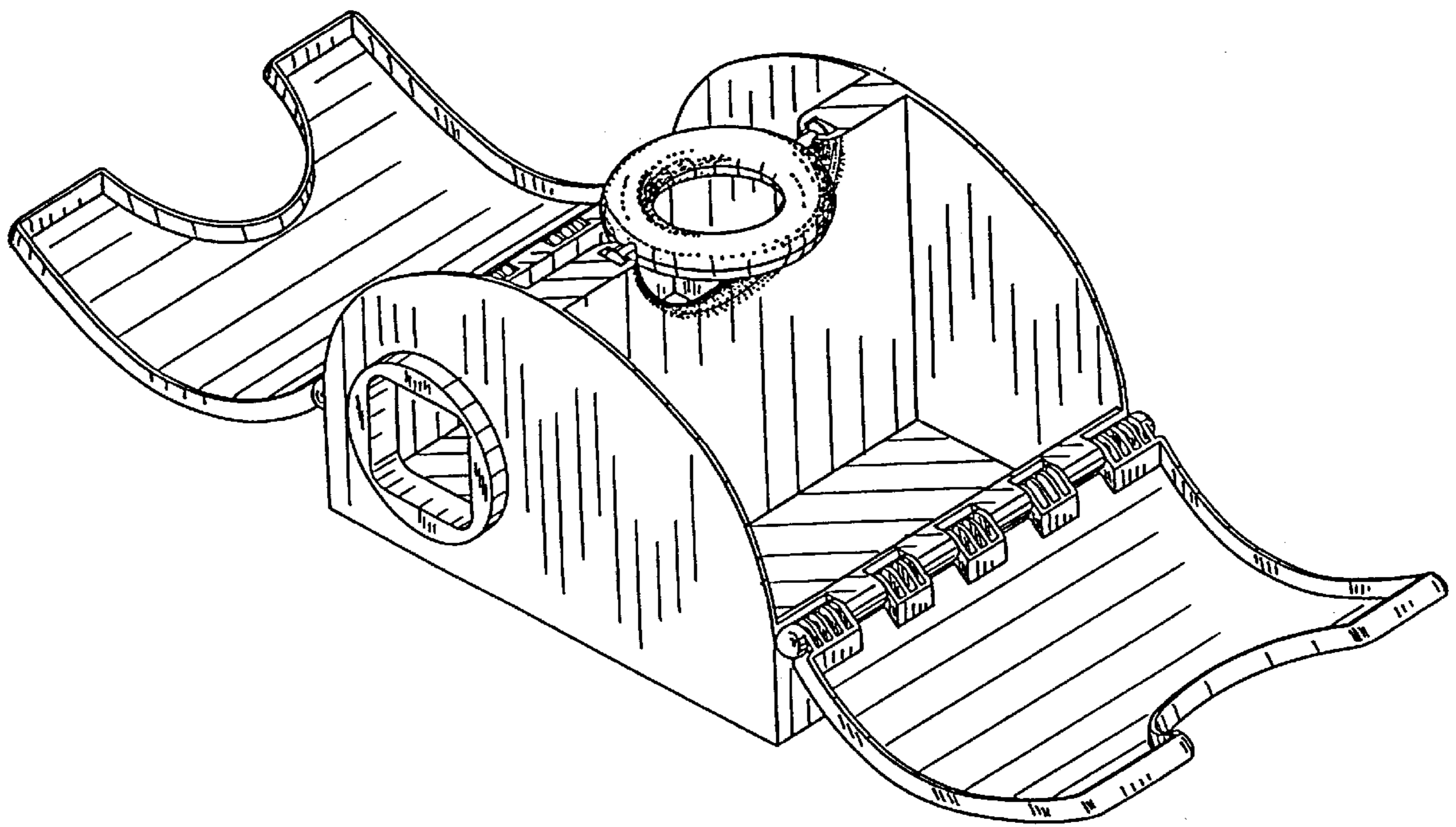


FIG. 9