



US00D412725S

United States Patent [19]

Nielsen et al.

[11] Patent Number: Des. 412,725

[45] Date of Patent: ** Aug. 10, 1999

[54] TOY BUILDING ELEMENT

[75] Inventors: Per Steen Nielsen, Hvidovre; Rune Harms, Søborg, both of Denmark

[73] Assignee: INTERLEGO AG, Baar, Switzerland

[**] Term: 14 Years

[21] Appl. No.: 29/095,029

[22] Filed: Oct. 14, 1998

[51] LOC (6) Cl. 21-01

[52] U.S. Cl. D21/495; D21/562

[58] Field of Search D21/484-505, D21/533, 561, 562; 446/93, 95, 97, 100, 121, 125, 128, 470, 475, 465

[56] **References Cited**

U.S. PATENT DOCUMENTS

D. 117,554	11/1939	Bojesen	D21/562
D. 294,373	2/1988	Bertrand	D21/495
D. 295,642	5/1988	Olsen	D21/495
D. 363,516	10/1995	Mathiesen	D21/484

D. 394,469	5/1998	Nielsen	D21/500
1,574,191	2/1926	Groves	D21/486
2,940,211	6/1960	Kelley	D21/495
4,446,649	5/1984	Moe et al.	446/95

Primary Examiner—Raphael Barkai
Attorney, Agent, or Firm—Kane, Dalsimer, Sullivan, Kurucz, Levy, Eisele and Richard, LLP

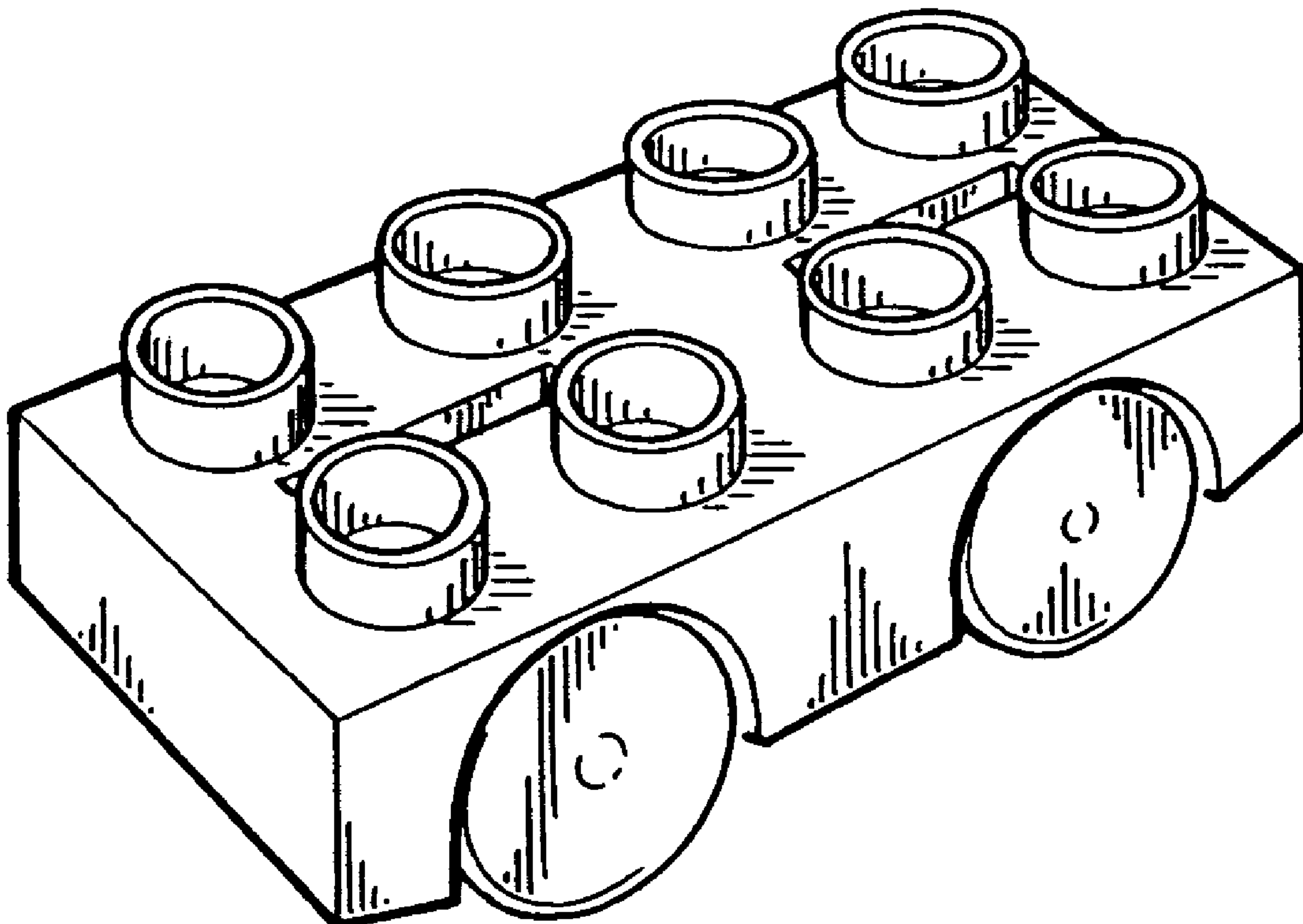
[57] **CLAIM**

The ornamental design for a toy building element, as shown and described.

DESCRIPTION

FIG. 1 is a top perspective view of the toy building element, FIG. 2 is a top plan view thereof, FIG. 3 is a front elevational view thereof, FIG. 4 is a bottom plan view thereof, FIG. 5 is a right side elevational view thereof, FIG. 6 is a left side elevational view thereof, FIG. 7 is a rear elevational view thereof; and, FIG. 8 is a bottom perspective view thereof.

1 Claim, 2 Drawing Sheets



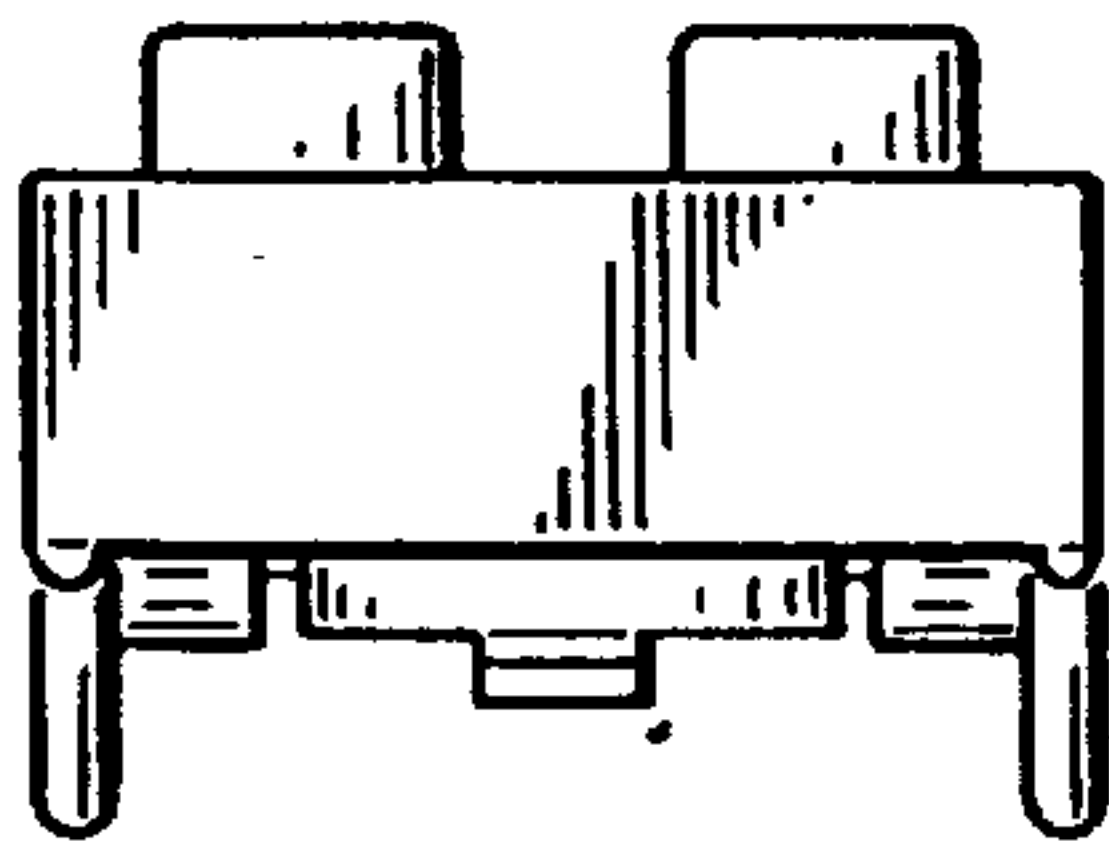


FIG. 3

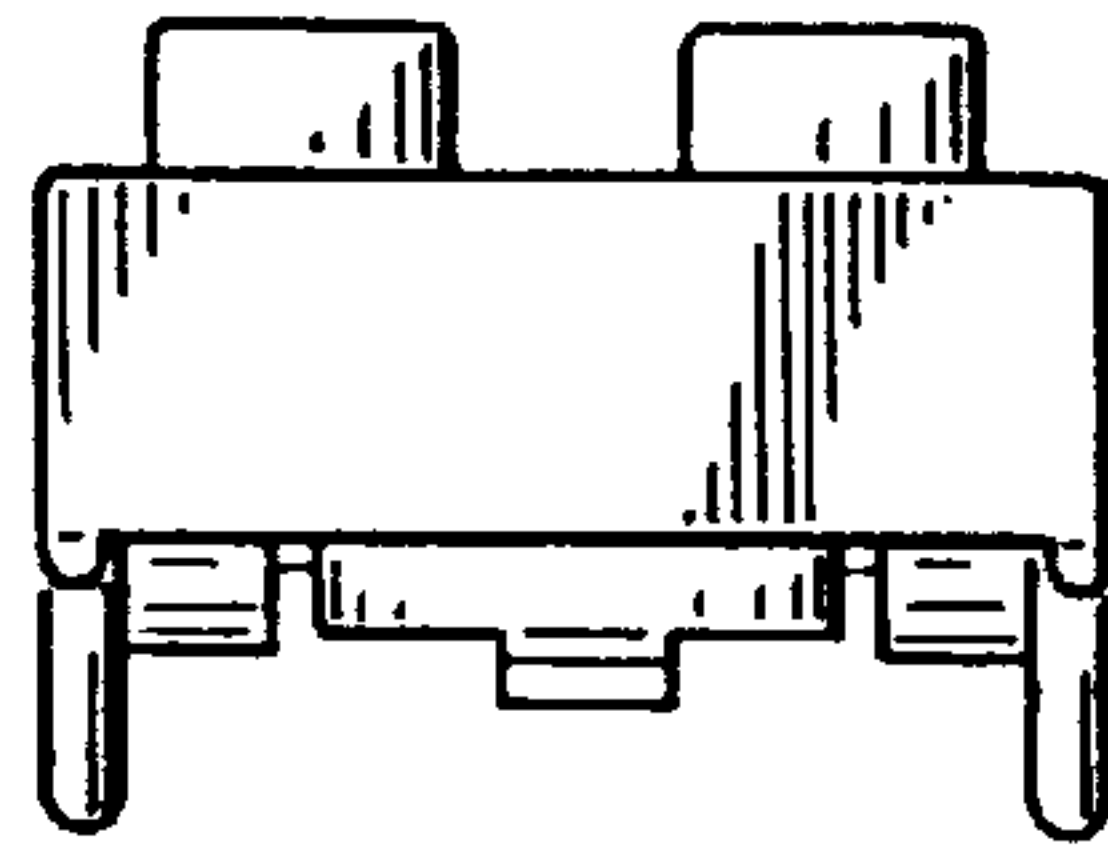


FIG. 7

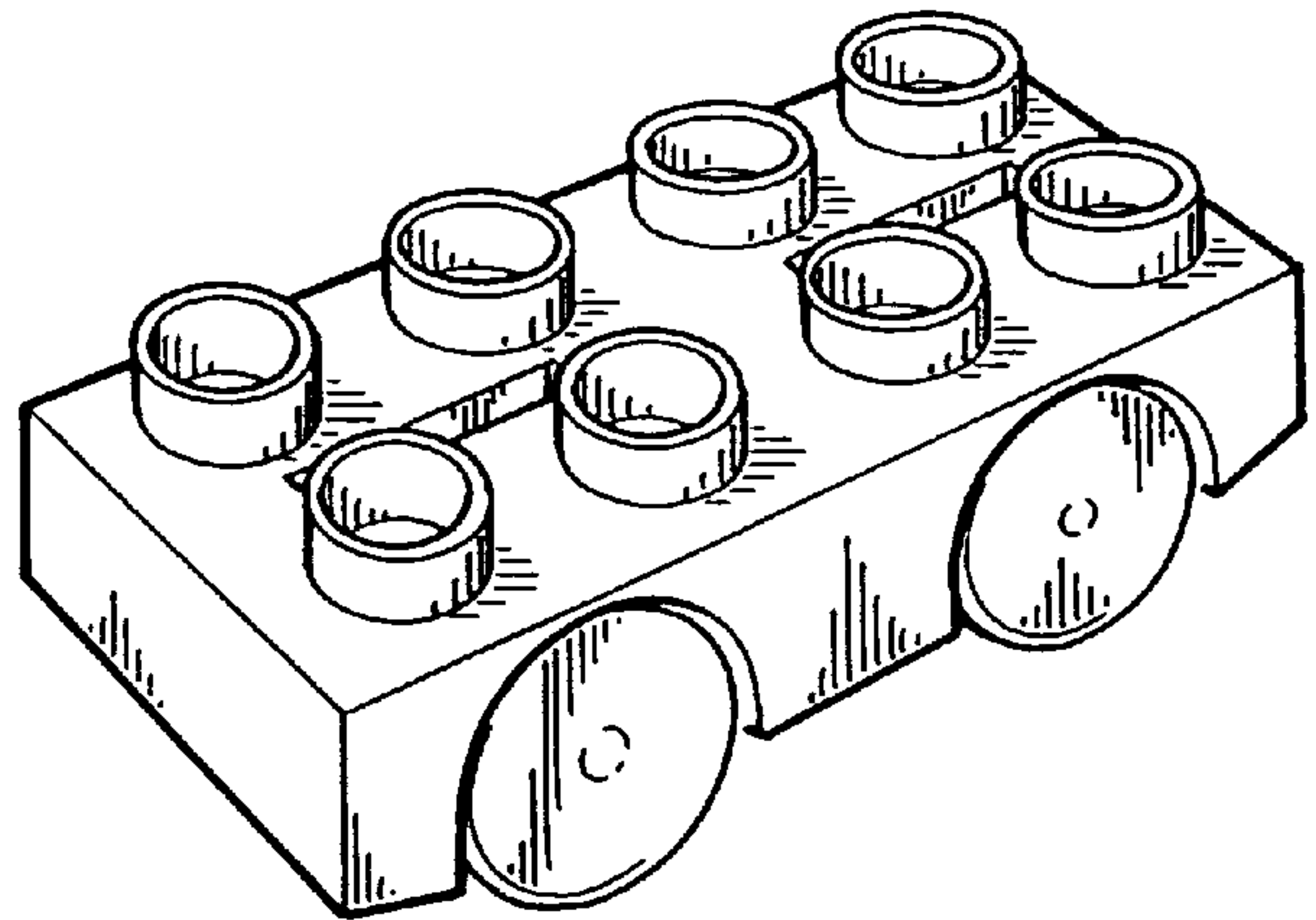


FIG. 1

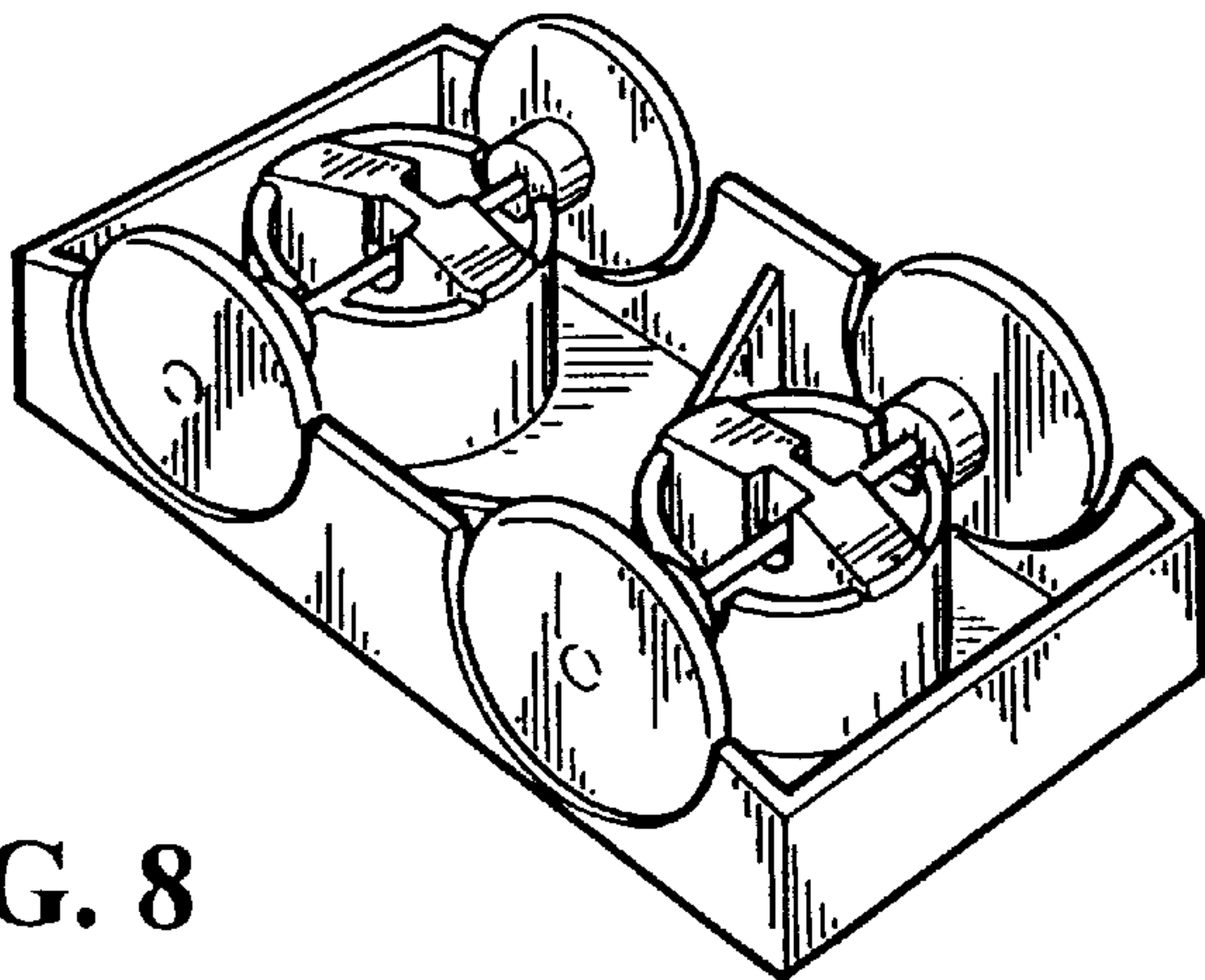


FIG. 8

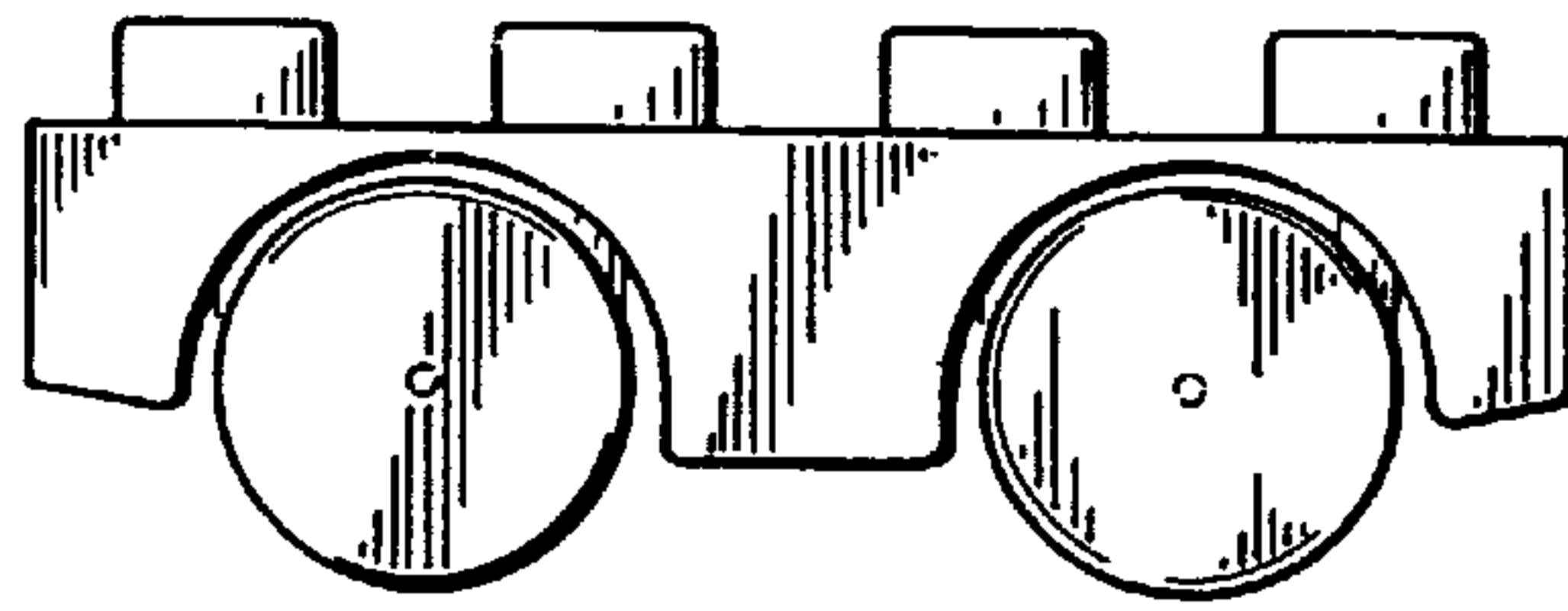


FIG. 5

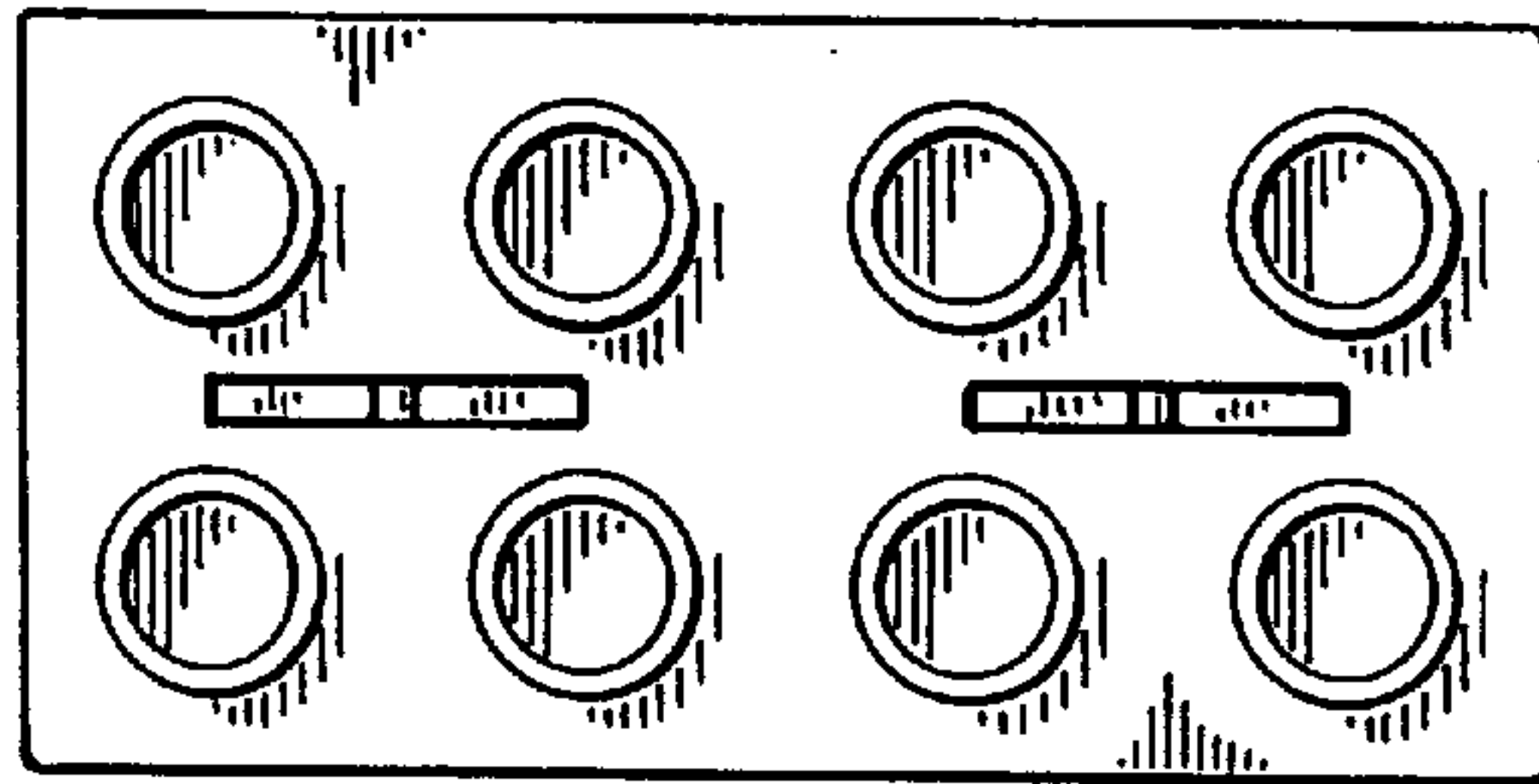


FIG. 2

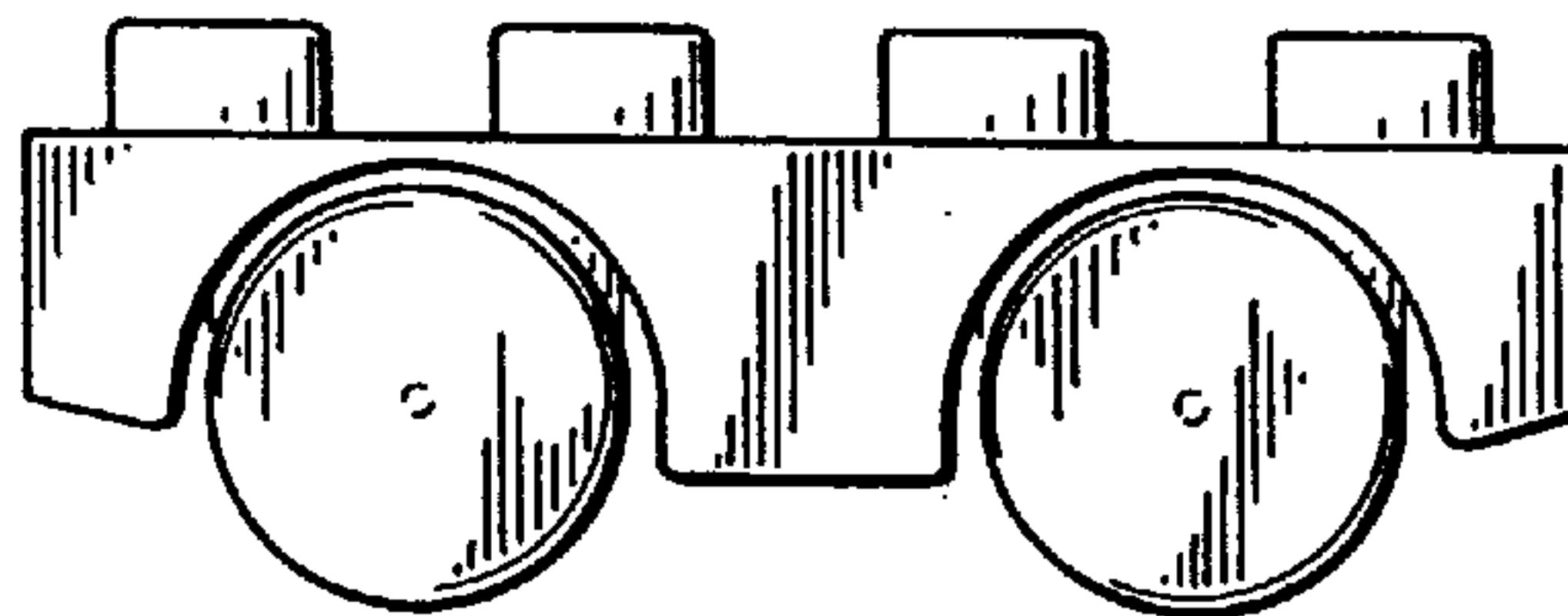


FIG. 6

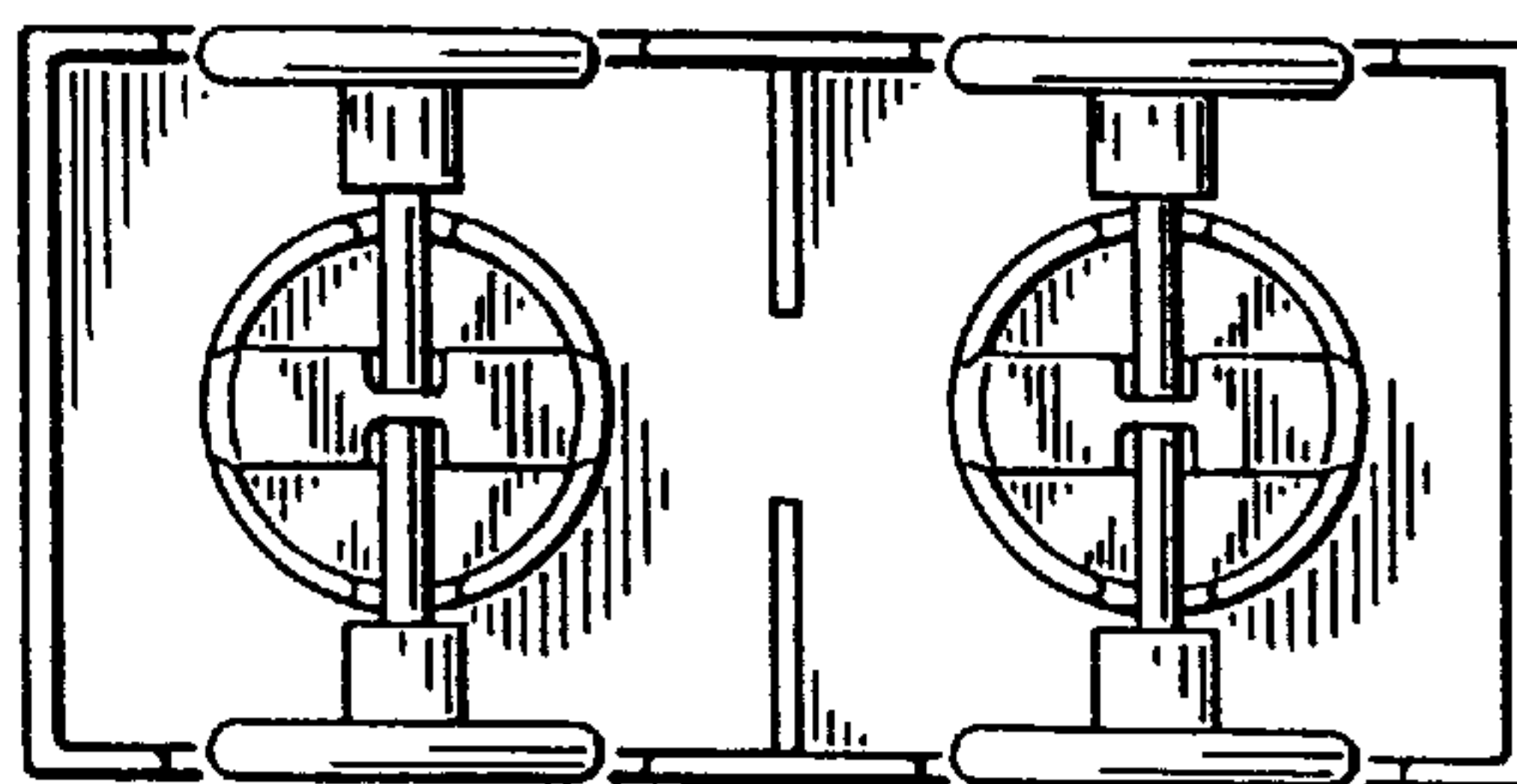


FIG. 4