



US00D412723S

United States Patent [19]

[11] **Patent Number: Des. 412,723**

Hachuel et al.

[45] **Date of Patent: ** Aug. 10, 1999**

[54] **COMBINED DECK OF CARDS AND HOLDER**

*Primary Examiner—Sandra L. Morris
Attorney, Agent, or Firm—Young & Thompson*

[76] Inventors: **Max Hachuel**, 5, Chemin de la Bâtie, 1213 Pettit-Lancy; **Didier Hachuel**, 34, Chemin de l'Etang, 1219 Chatelaine, both of Switzerland

[57] **CLAIM**

The ornamental design for a combined deck of cards and holder, as shown and described.

[**] Term: **14 Years**

DESCRIPTION

[21] Appl. No.: **29/073,831**

FIG. 1 shows in front perspective view the combined deck of cards and holder in a first service position for which it can be fixed to the edge of a table.

[22] Filed: **Jun. 27, 1997**

FIG. 2 shows in front perspective view the combined deck of cards and holder in a second service position for which it can be laid on the top of a table.

[30] **Foreign Application Priority Data**

Feb. 21, 1997 [XH] Hague Agreement DMA003605

FIG. 3 is a rear perspective view, with the cards shown removed for ease of illustration;

[51] **LOC (6) Cl.** **21-01**

[52] **U.S. Cl.** **D21/392; D21/379**

FIG. 4 is a rear perspective view of the empty holder during folding.

[58] **Field of Search** D21/376-384, D21/396, 392-394; 273/148 A, 150, 292-308

FIG. 5 is a front perspective view of the holder in folded, closed position.

[56] **References Cited**

U.S. PATENT DOCUMENTS

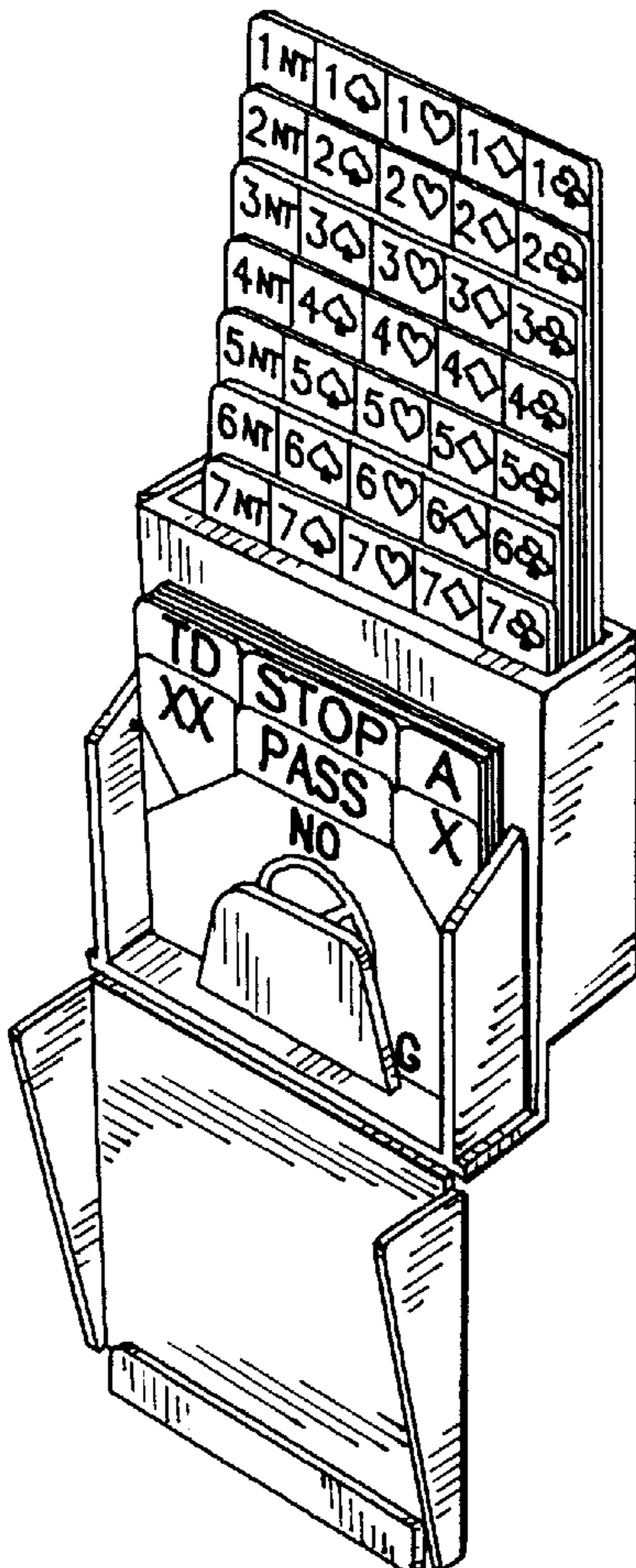
D. 139,530	11/1944	Schindler	D21/396
D. 350,372	9/1994	Jannersten	D21/379
2,447,731	8/1948	Bureau	273/148 A
3,524,645	8/1970	Breslow	273/148 A
5,439,232	8/1995	Pollock	273/431

FIG. 6 is a rear perspective view of the holder in folded, closed position.

FIG. 7 is a front perspective view of the holder as shown in FIG. 2 without cards; and,

FIG. 8 is a front perspective view of the holder, as shown in FIG. 1 without cards.

1 Claim, 2 Drawing Sheets



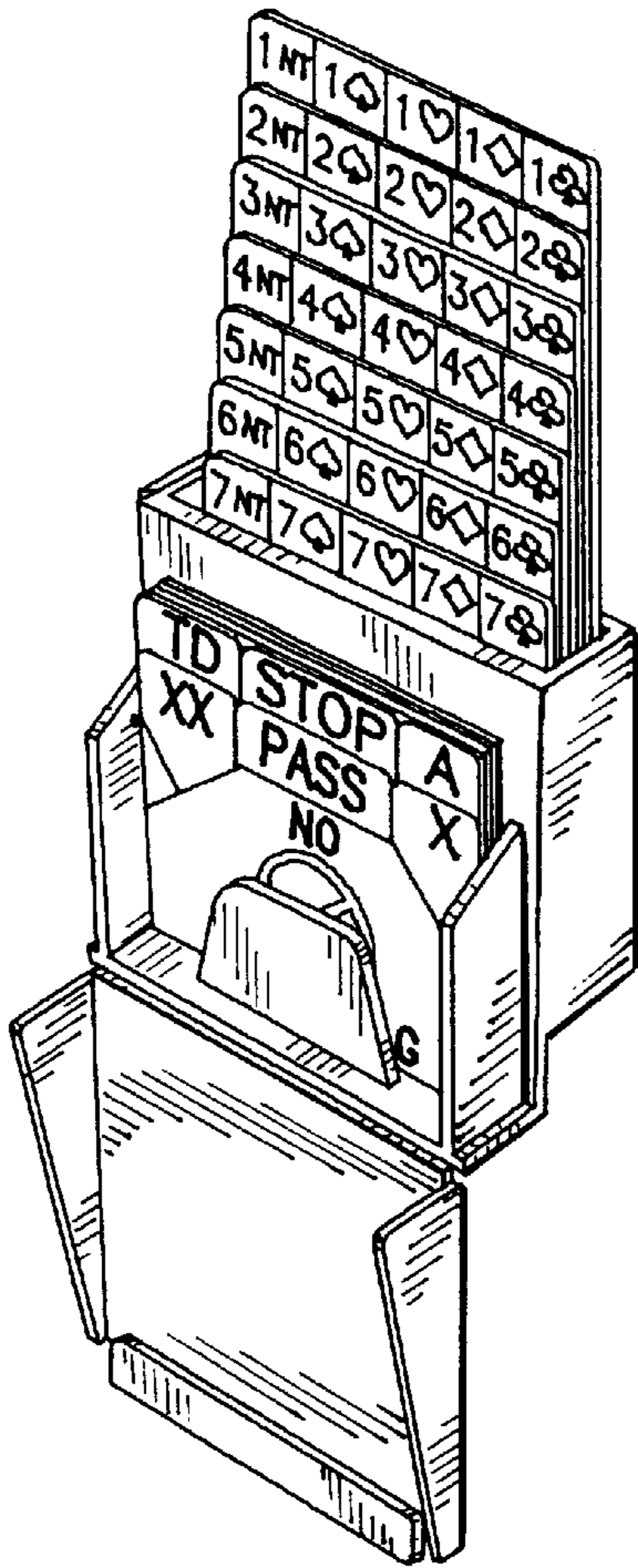


FIG. 1

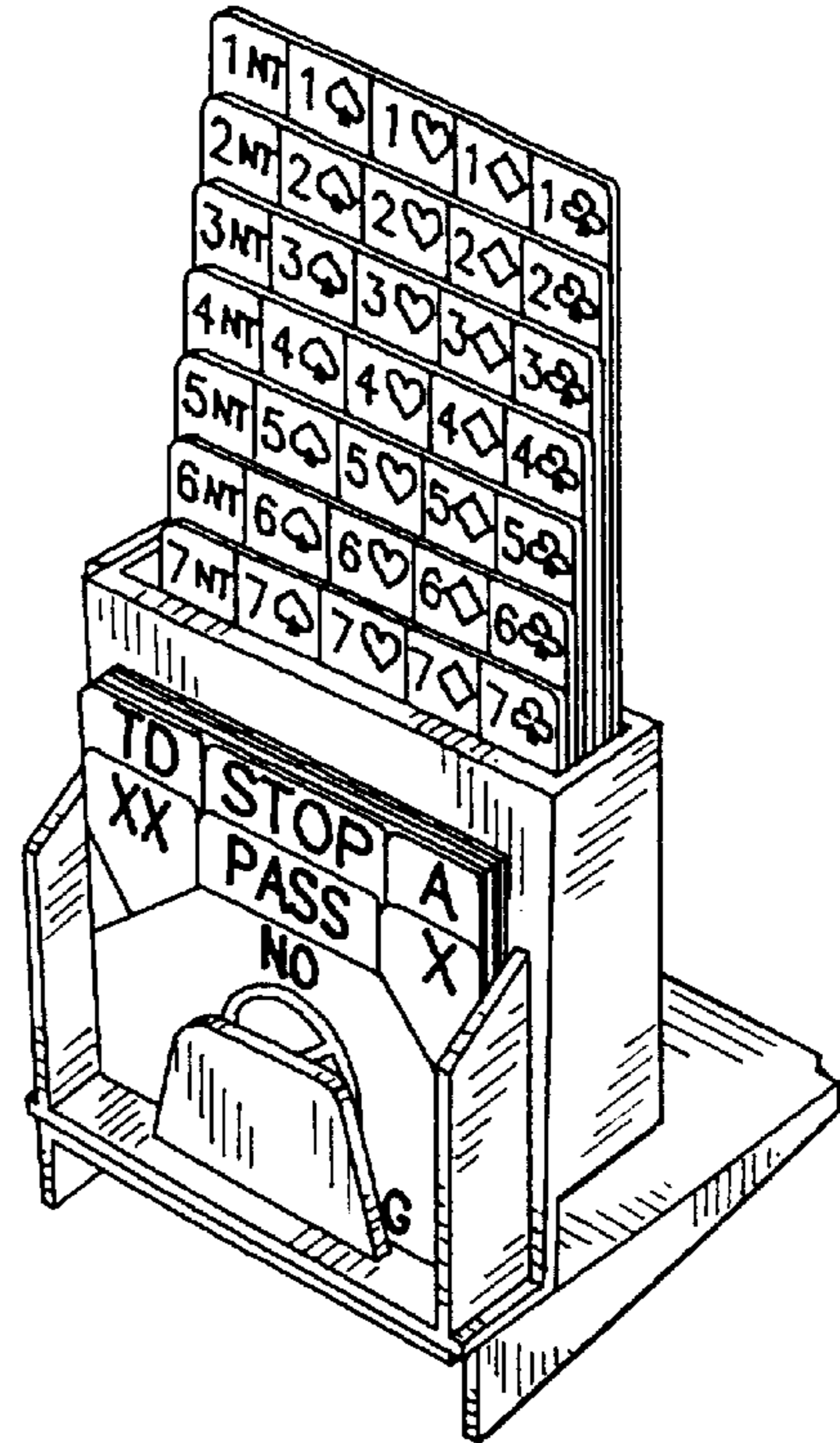


FIG. 2

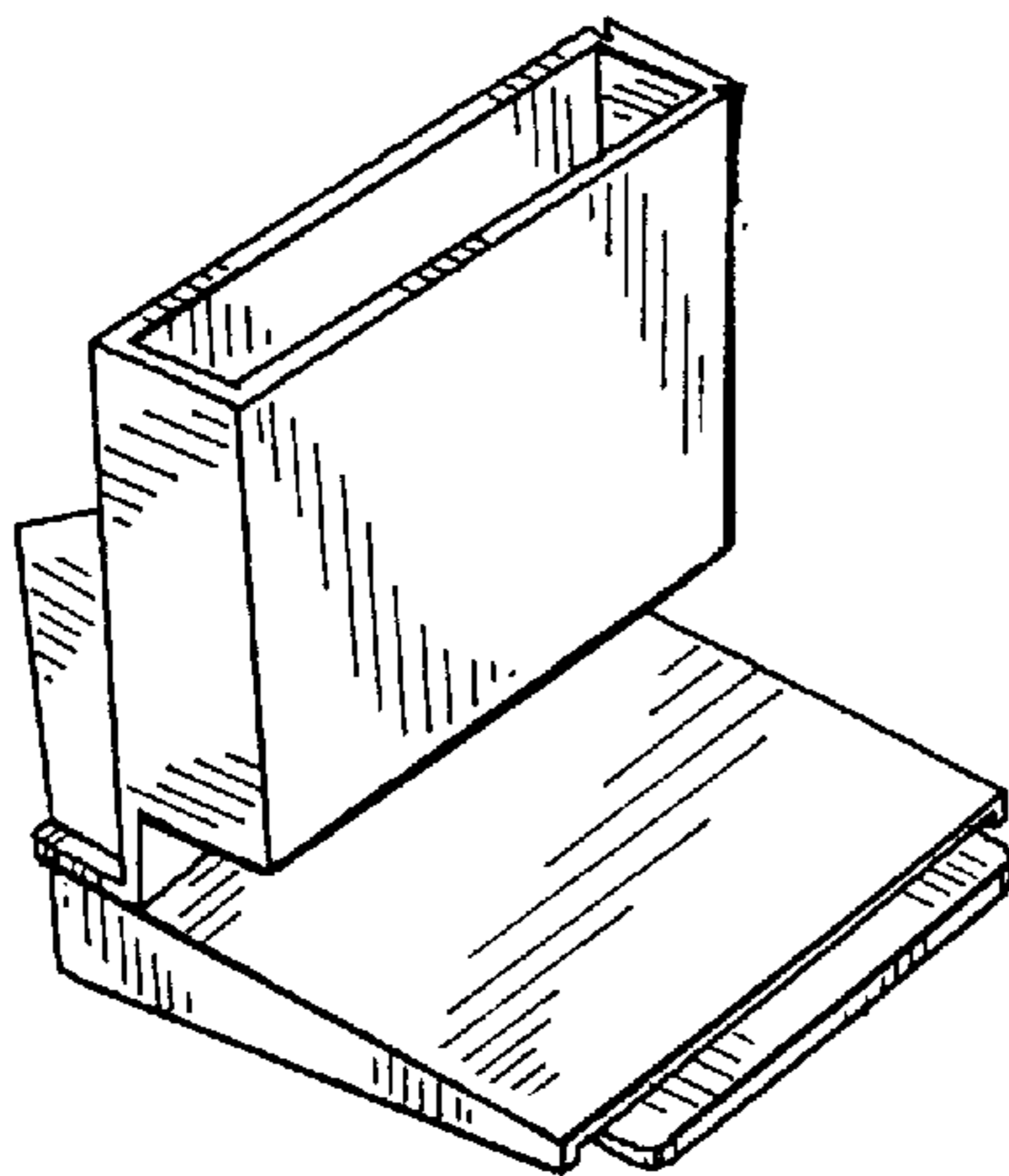


FIG. 3

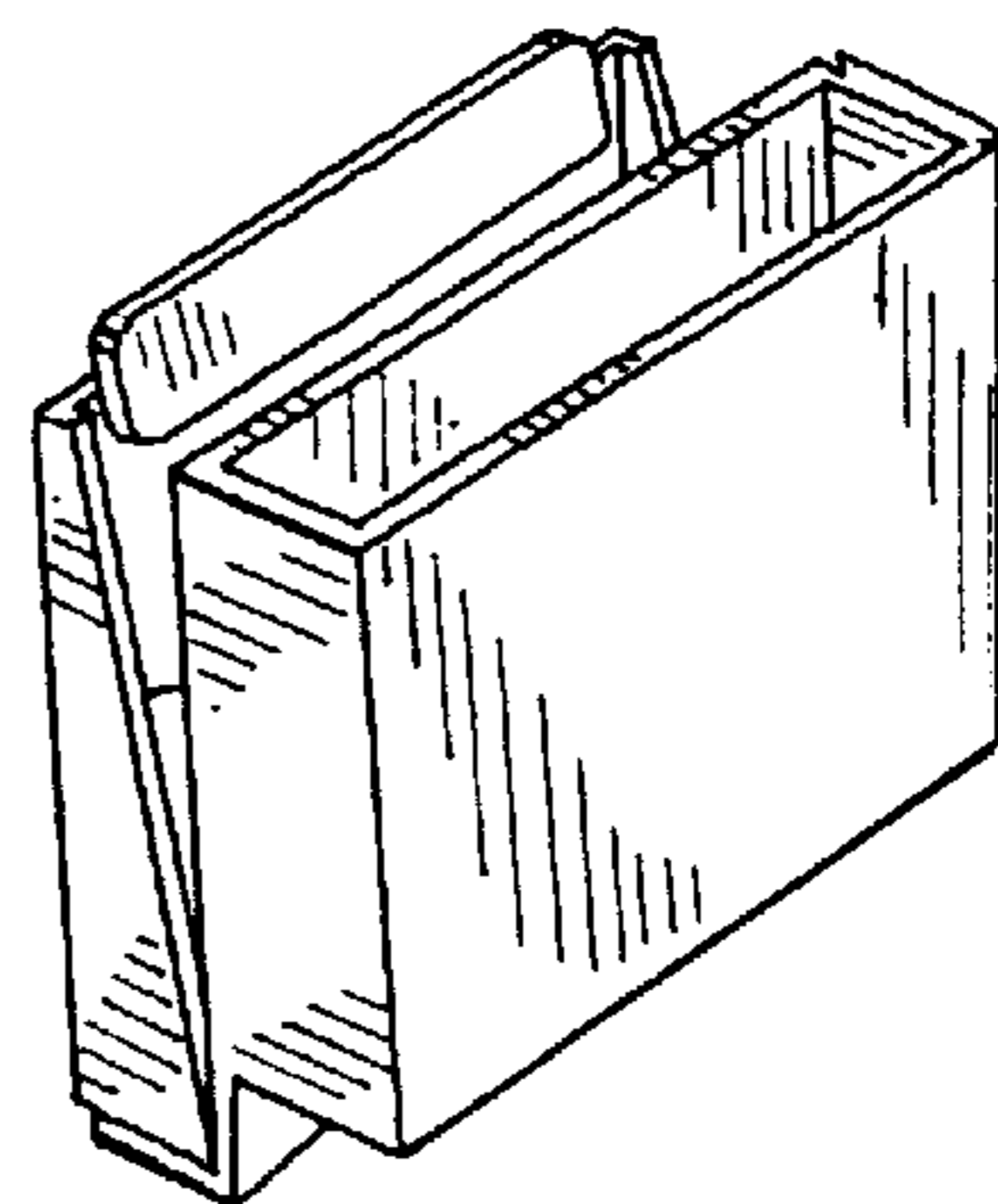


FIG. 4

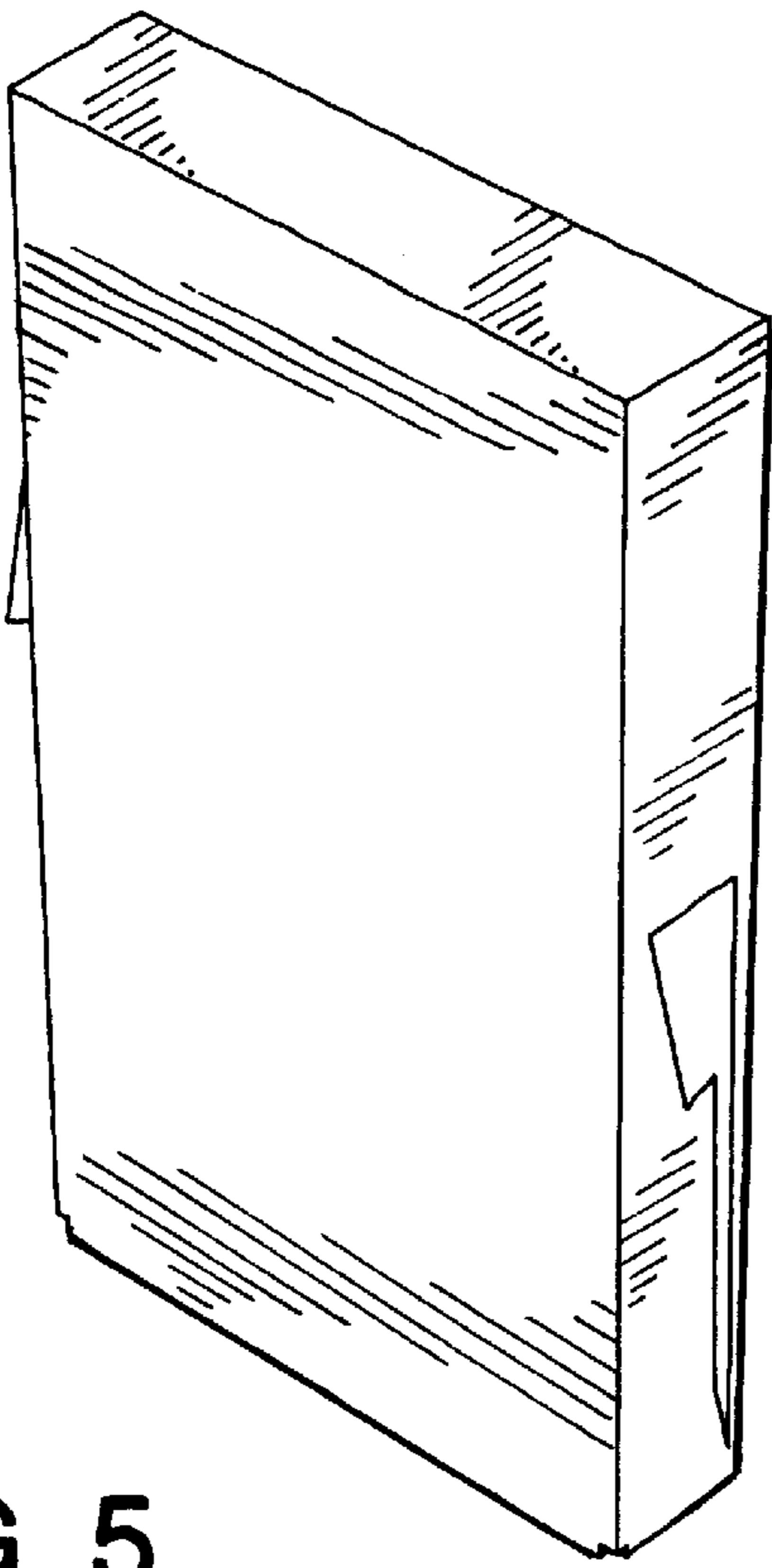


FIG. 5

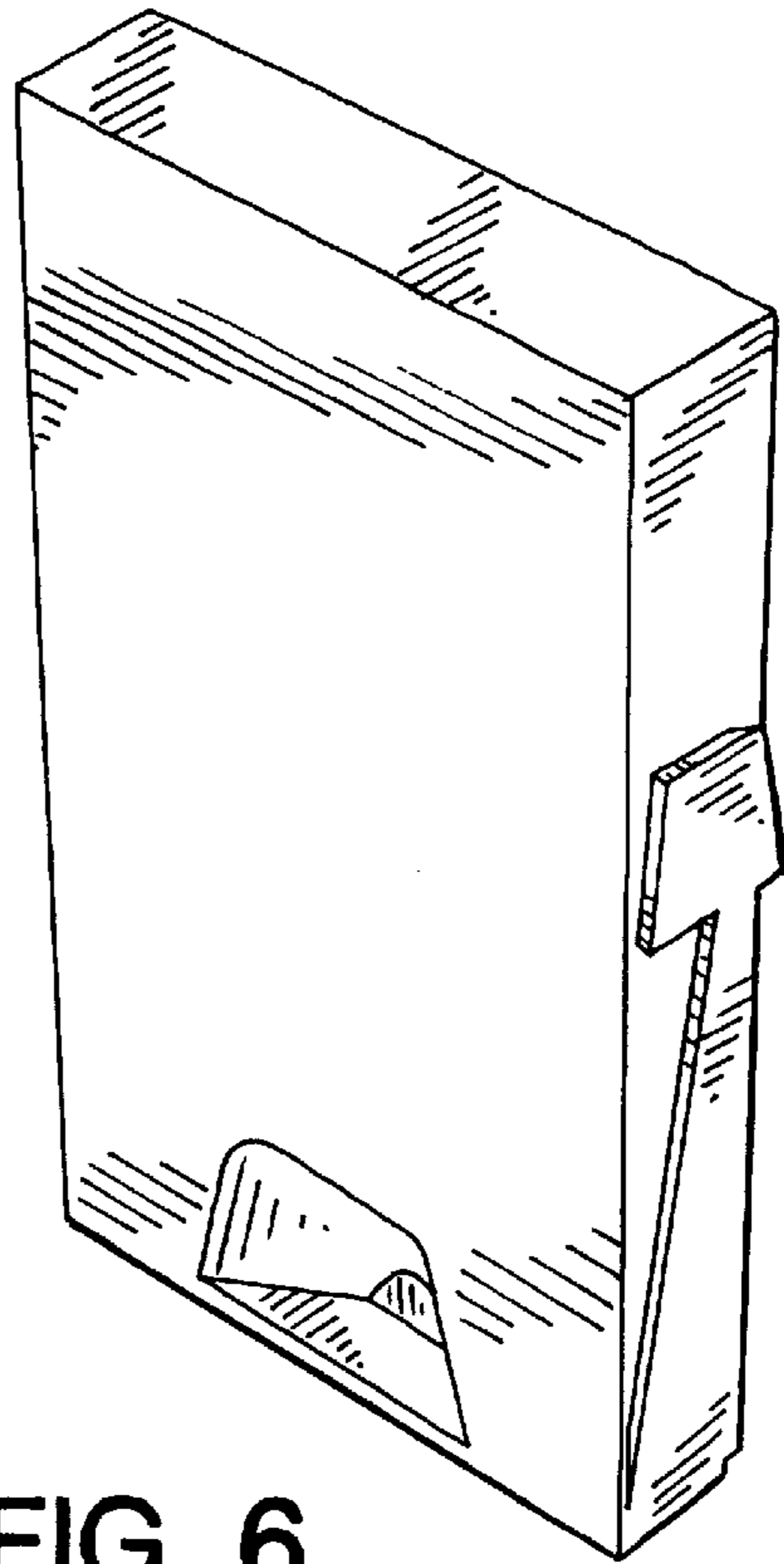


FIG. 6

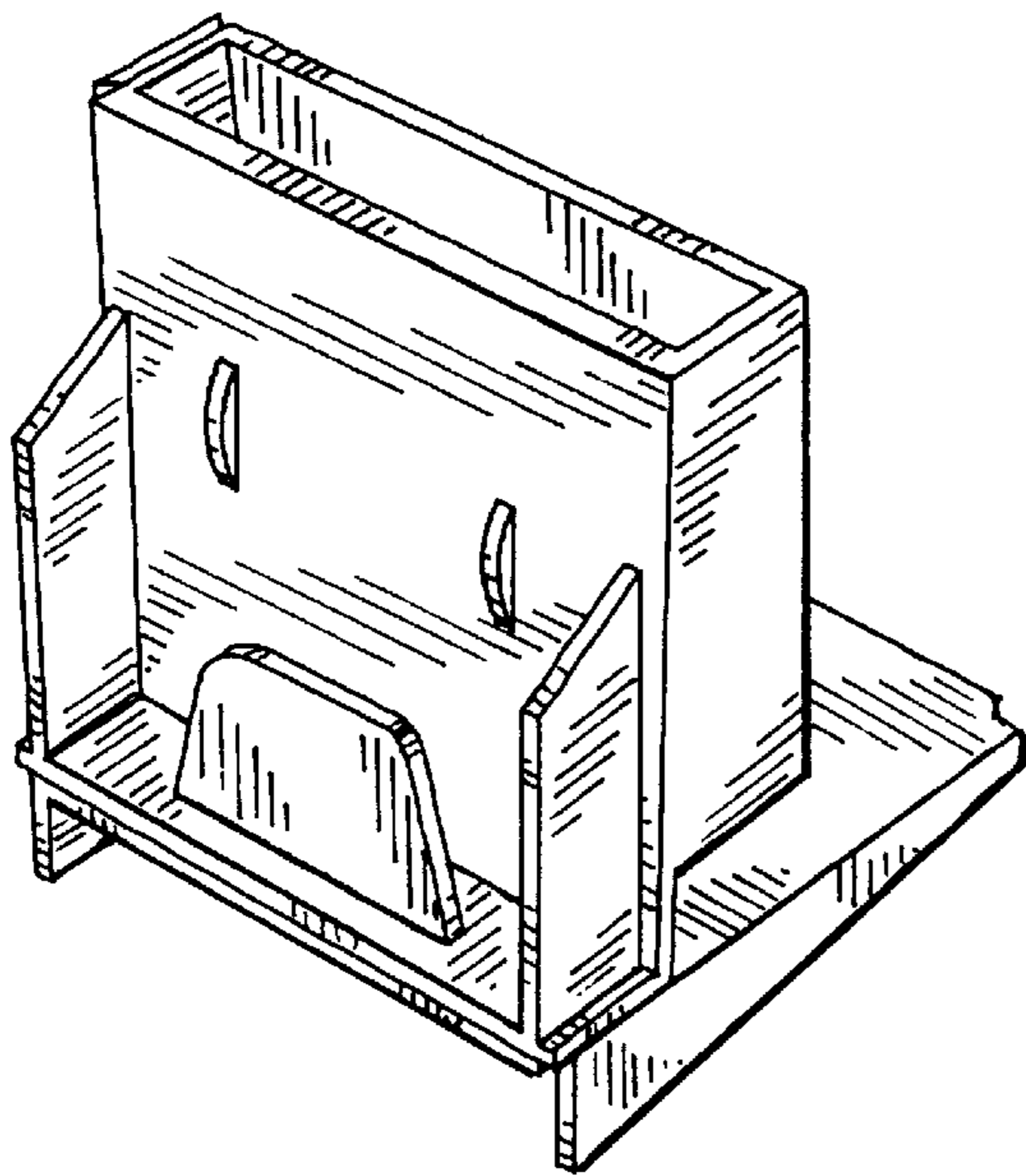


FIG. 7

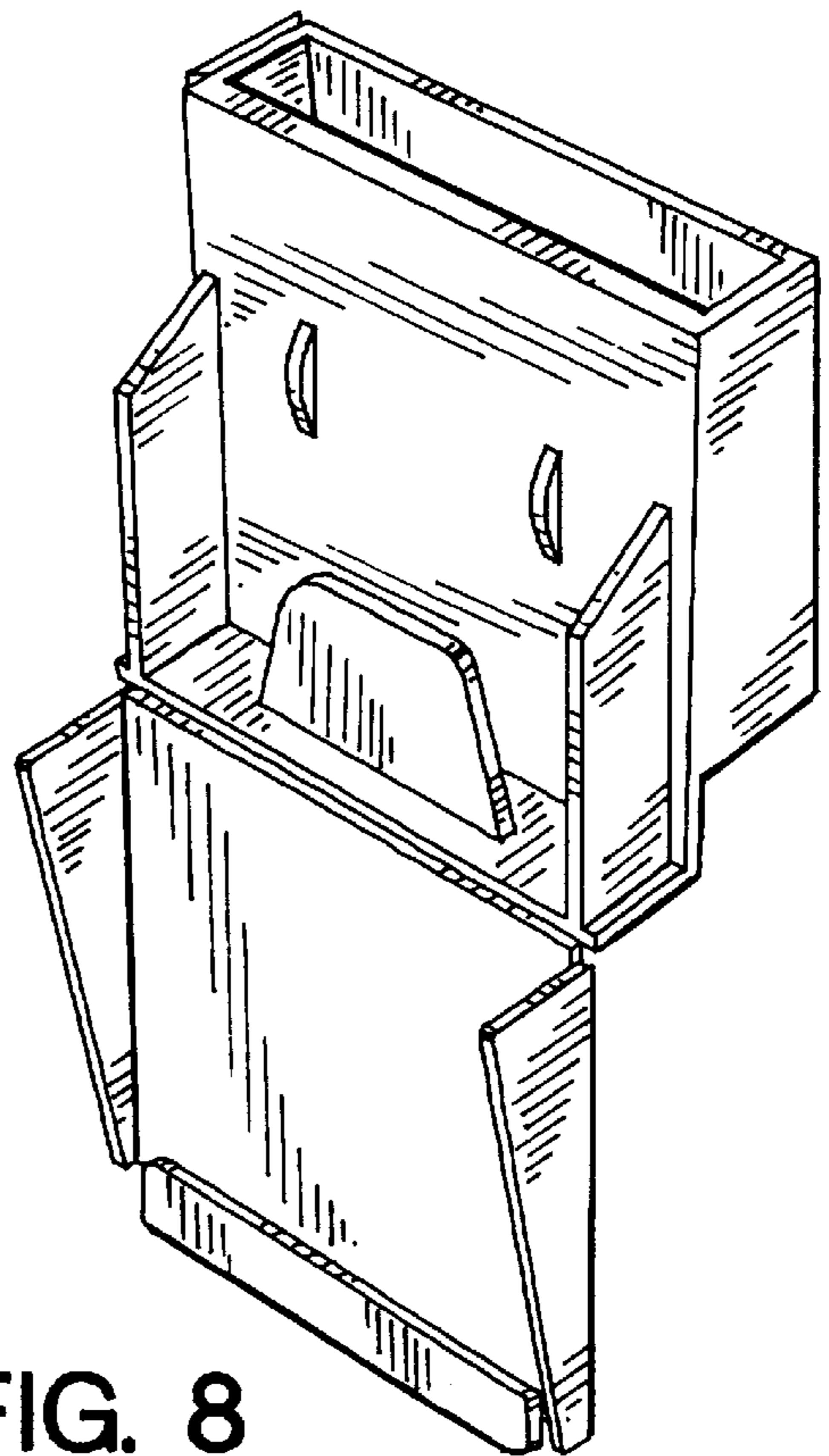


FIG. 8