



US00D412719S

United States Patent [19] Leeds

[11] **Patent Number: Des. 412,719**

[45] **Date of Patent: ** Aug. 10, 1999**

[54] **LARGE SCALE VIDEO DISPLAY UNIT**

D. 244,073 4/1977 Urbaniec D16/228
D. 397,154 8/1998 Hart D20/41
4,302,897 12/1981 Deckys 40/605

[75] Inventor: **Gary Leeds**, South Orange, N.J.

[73] Assignee: **Screen Zone Media, LLC**, South Orange, N.J.

Primary Examiner—Susan J. Lucas
Assistant Examiner—Jennifer Rivard

[**] Term: **14 Years**

[57] CLAIM

[21] Appl. No.: **29/093,298**

The ornamental design for a large scale video display unit, as shown and described.

[22] Filed: **Sep. 8, 1998**

DESCRIPTION

[51] **LOC (6) Cl.** **20-02**

[52] **U.S. Cl.** **D20/41; D16/228; D20/39**

[58] **Field of Search** D20/10, 39, 41;
D16/228; 40/541, 577, 584, 564, 605, 606

FIG. 1 is a perspective view of the large scale video display unit according to the present invention;
FIG. 2 is a top view thereof;
FIG. 3 is a front view thereof, the rear view being a mirror image;
FIG. 4 is a side view thereof, the opposite side view being a mirror image; and,
FIG. 5 is a bottom view thereof.

[56] References Cited

U.S. PATENT DOCUMENTS

D. 44,394 7/1913 Wortley D20/42
D. 111,332 9/1938 Smith D20/39
D. 162,596 3/1951 Trame D20/10

1 Claim, 3 Drawing Sheets

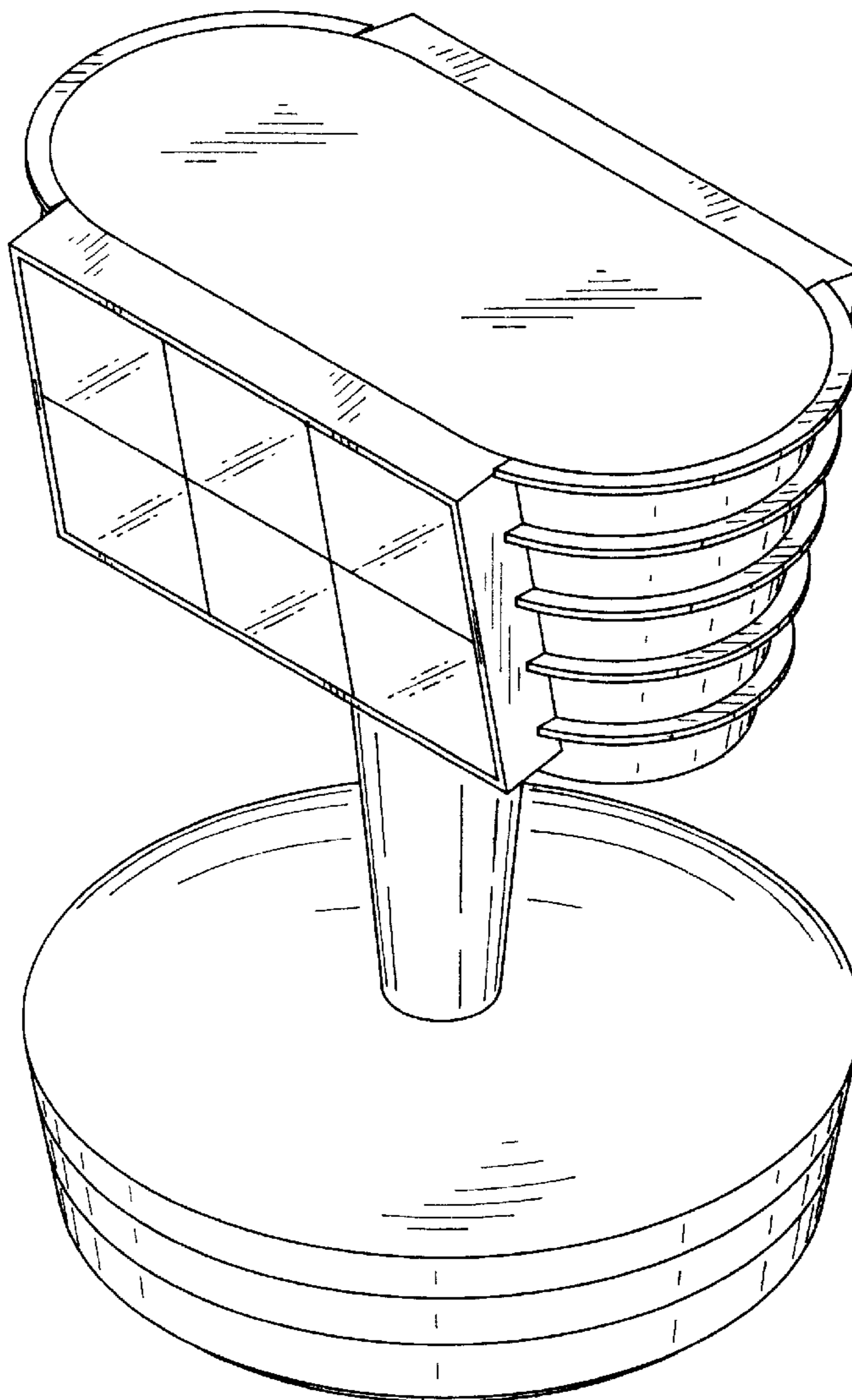


FIG. 1

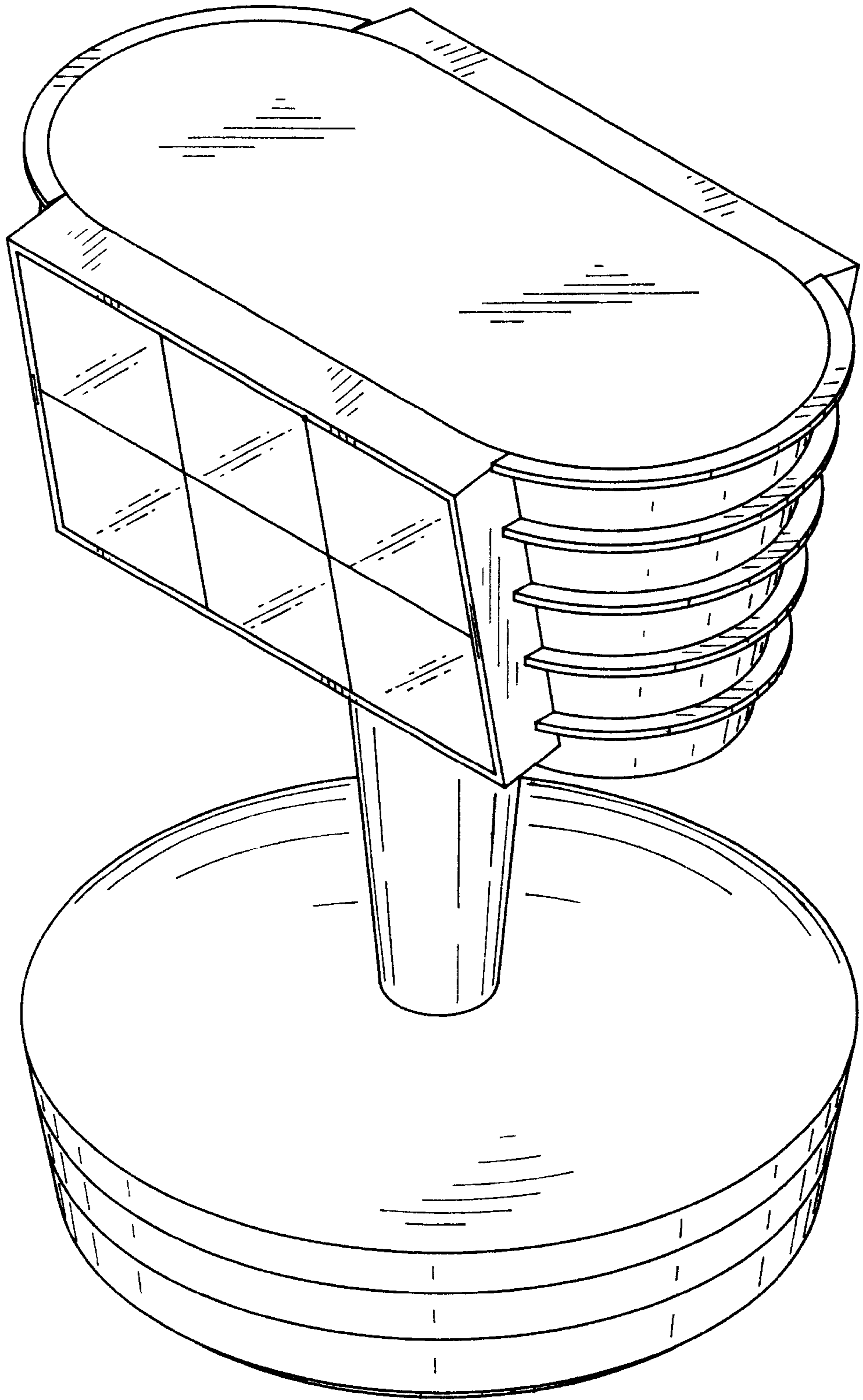


FIG. 2

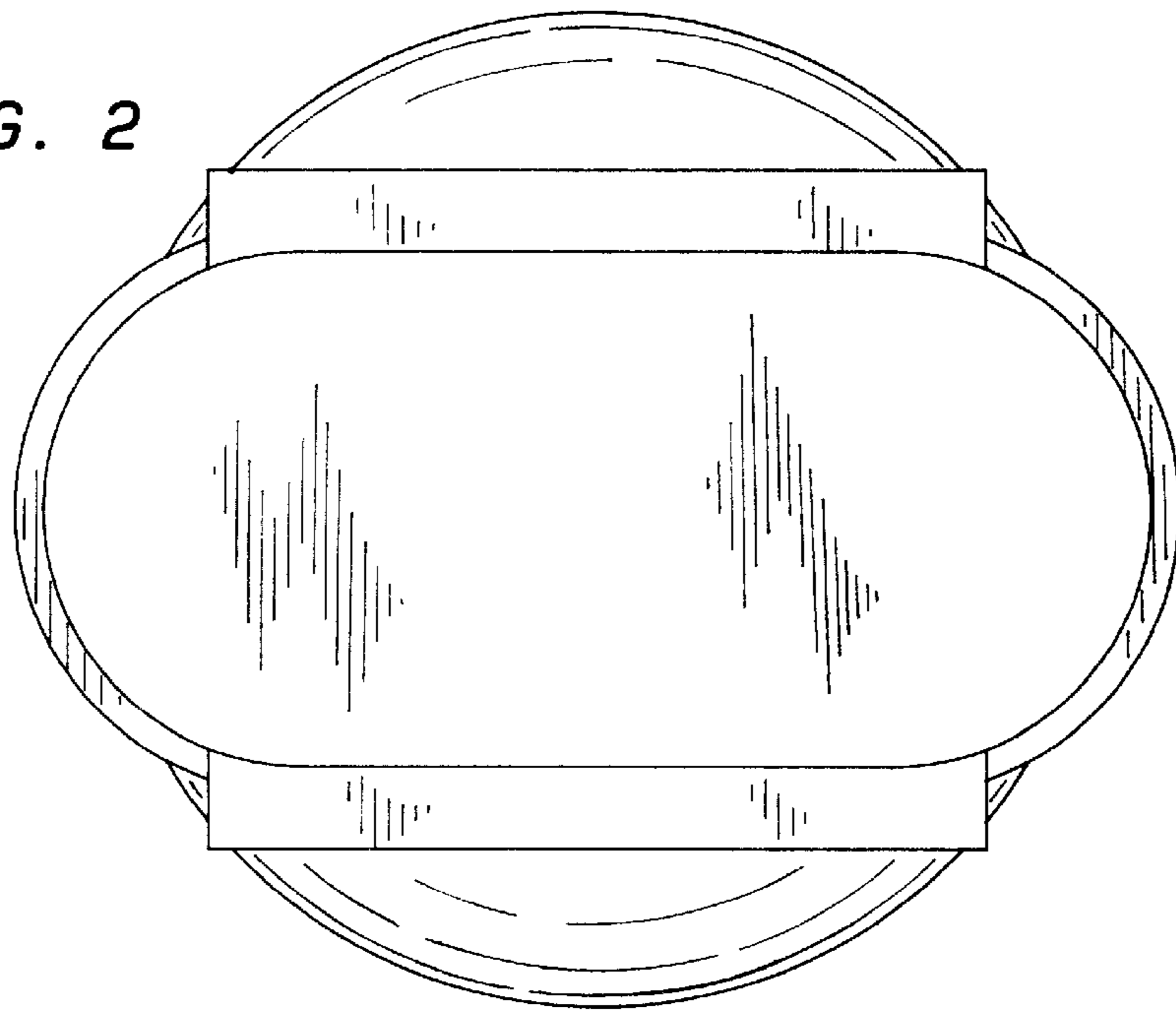


FIG. 3

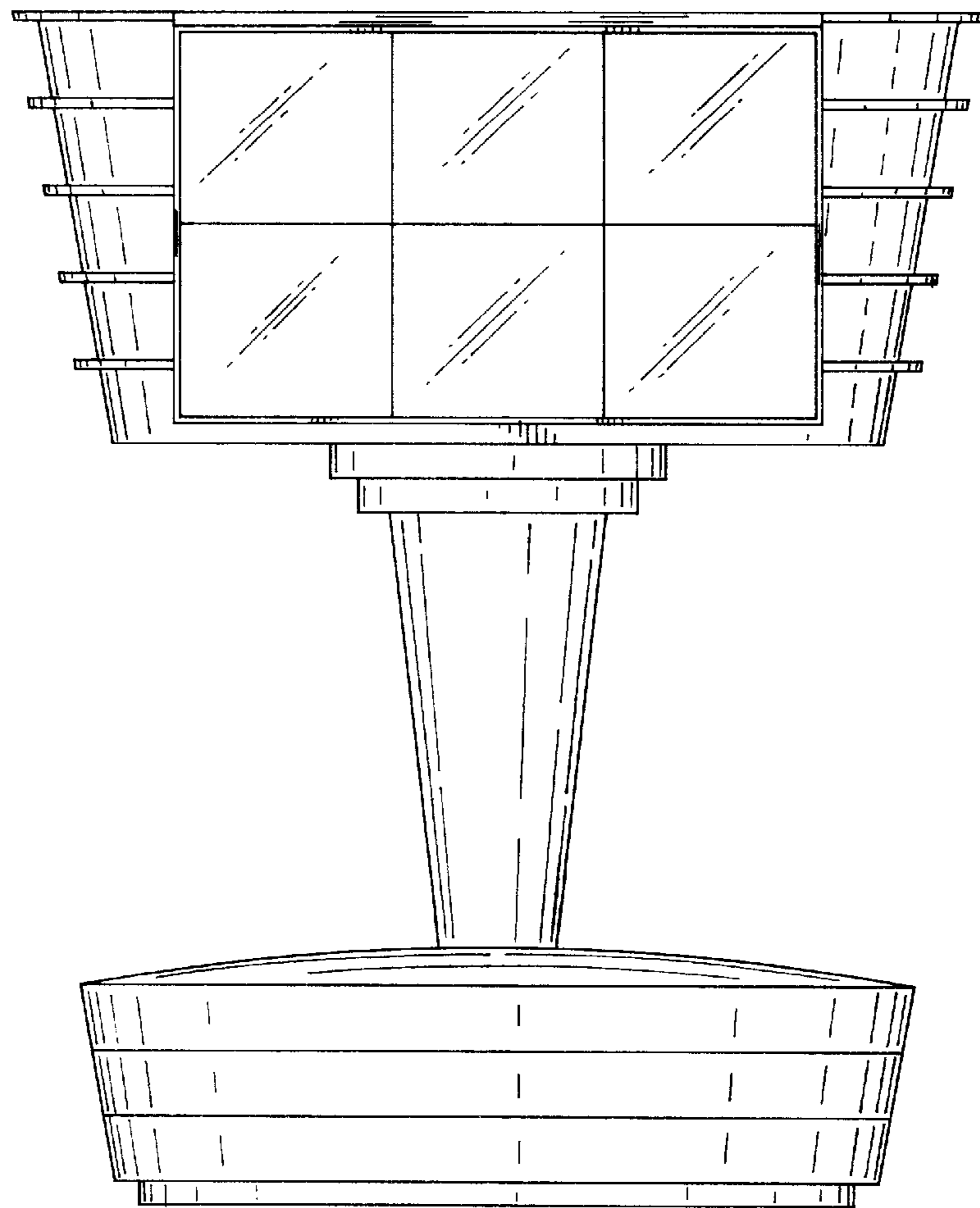


FIG. 4

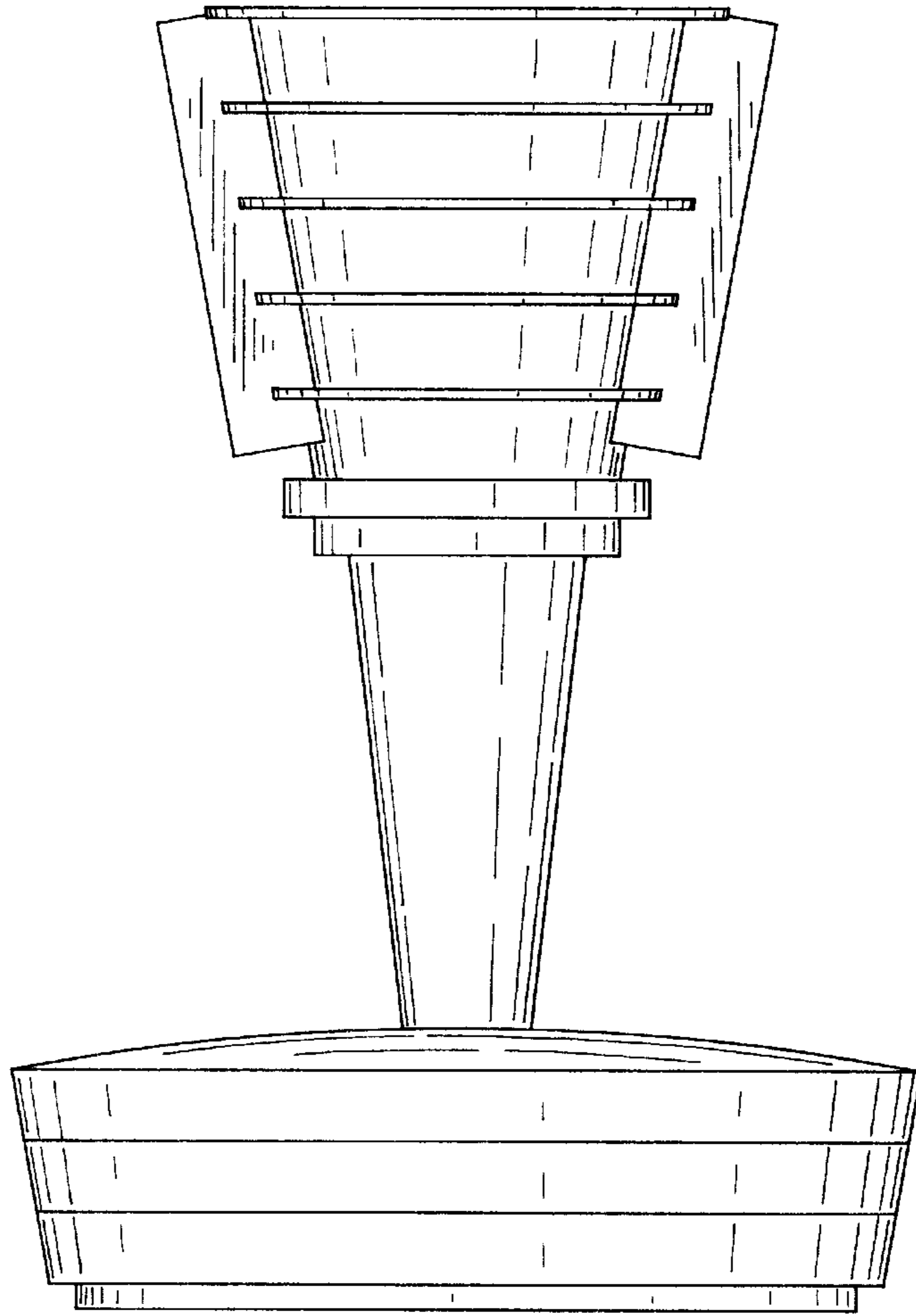


FIG. 5

