



US00D412717S

United States Patent [19]

Urness

[11] Patent Number: Des. 412,717

[45] Date of Patent: ** Aug. 10, 1999

[54] SAFETY COMPASS

[75] Inventor: Randall J. Urness, Plover, Wis.

[73] Assignee: Fiskars Inc., Madison, Wis.

[**] Term: 14 Years

[21] Appl. No.: 29/077,689

[22] Filed: Oct. 9, 1997

[51] LOC (6) Cl. 19-06

[52] U.S. Cl. D19/38; D19/37

[58] Field of Search D19/36, 37, 38, D19/65, 99, 100; 33/27.01, 27.02, 27.03, 27.06, 27.04, 27.09, 27.031, 27.032, 27.033, 558.01-558.05, 558.06, 558.07, 558.08, 558.09, 558.1; 401/52, 195

[56] **References Cited**

U.S. PATENT DOCUMENTS

473,244	4/1892	Smith .	
662,291	11/1900	Nye .	
1,972,759	9/1934	Burnette	33/27.02
1,984,467	12/1934	Des Roberts	33/27.02
2,065,472	12/1936	Langsner et al.	33/27.02
2,112,179	3/1938	Sharrar	33/27.02
2,531,248	11/1950	Belch	33/27.02 X
3,045,350	7/1962	Spicacci	33/27.06

3,247,597	4/1966	Brown	33/27.02
3,358,371	12/1967	Liesong, Sr.	33/558.03
3,797,119	3/1974	McDow	33/27.09
5,090,127	2/1992	Shapiro et al. .	
5,546,663	8/1996	Warwicker .	

FOREIGN PATENT DOCUMENTS

WO94/05514 3/1994 WIPO .

Primary Examiner—Martie K. Holtje
Attorney, Agent, or Firm—Foley & Lardner

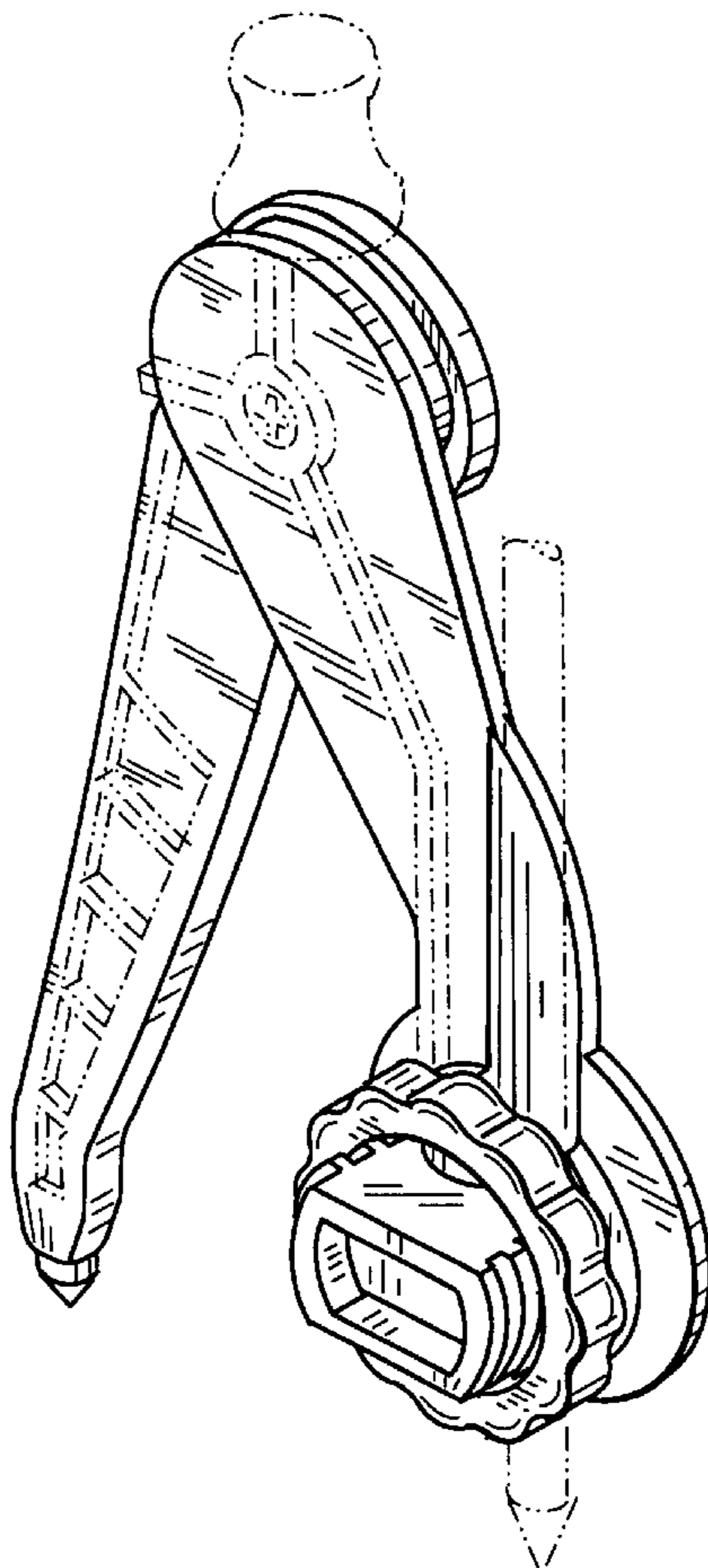
[57] **CLAIM**

I claim the ornamental design for a safety compass, as shown and described.

DESCRIPTION

FIG. 1 is a front perspective view of a safety compass showing my new design; FIG. 2 is a front elevational view; FIG. 3 is a rear elevational view; FIG. 4 is a left side elevational view; FIG. 5 is a right side elevational view; FIG. 6 is a top plan view; and, FIG. 7 is a bottom plan view thereof. The broken lines showing portions of the safety compass and marking implement in FIGS. 1-7 are for illustrative purposes only and form no part of the claimed design.

1 Claim, 3 Drawing Sheets



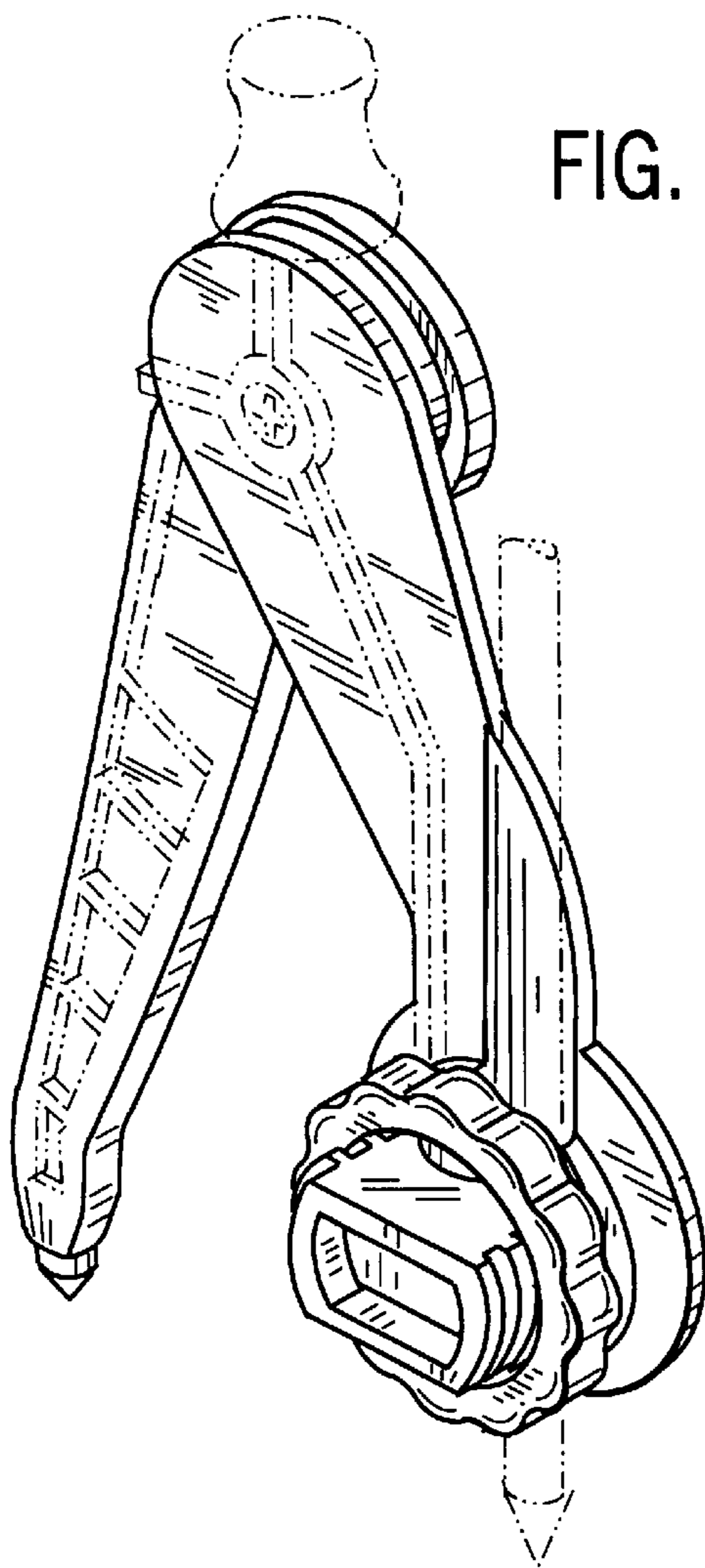


FIG. 1

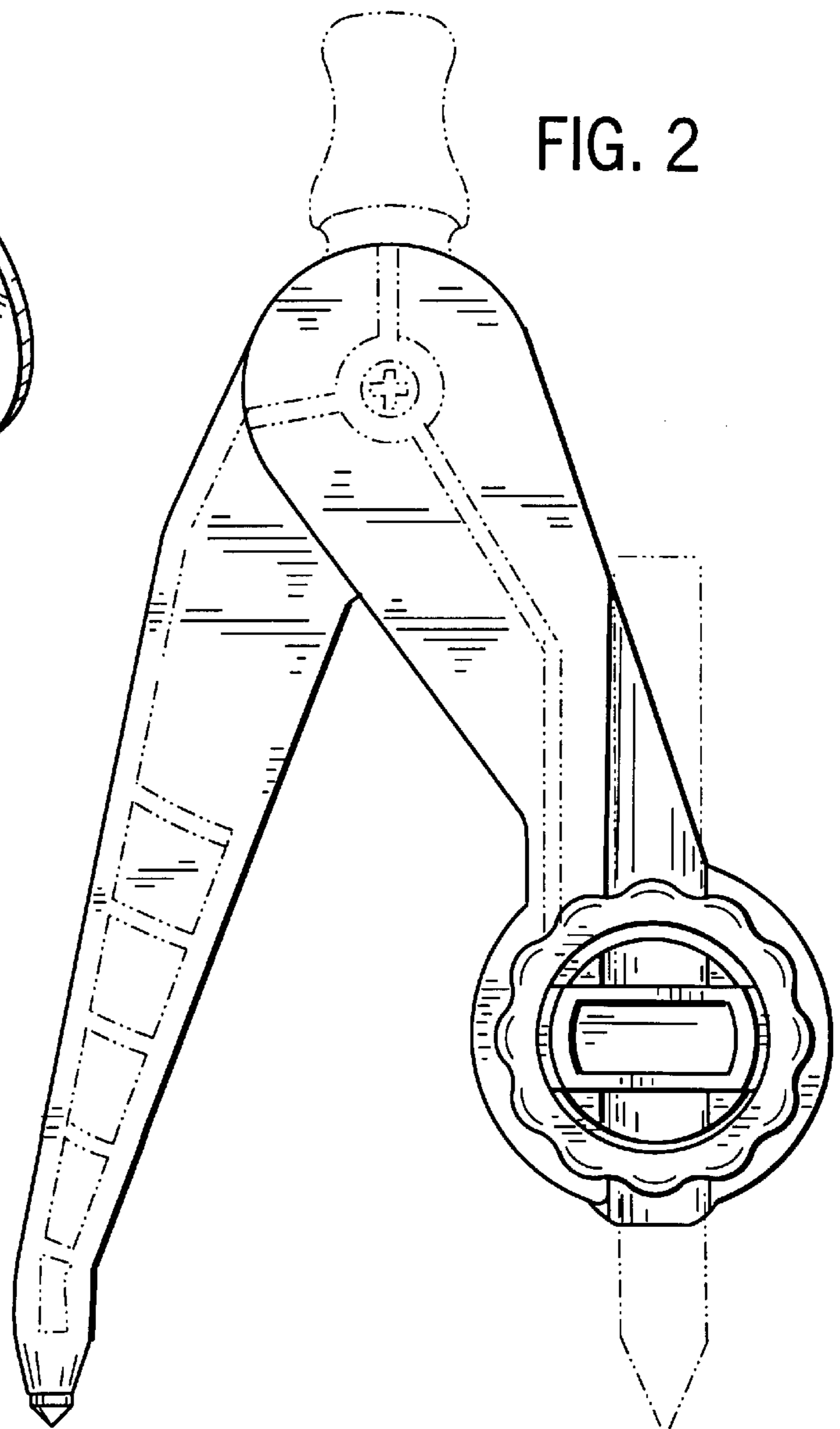


FIG. 2

FIG. 3

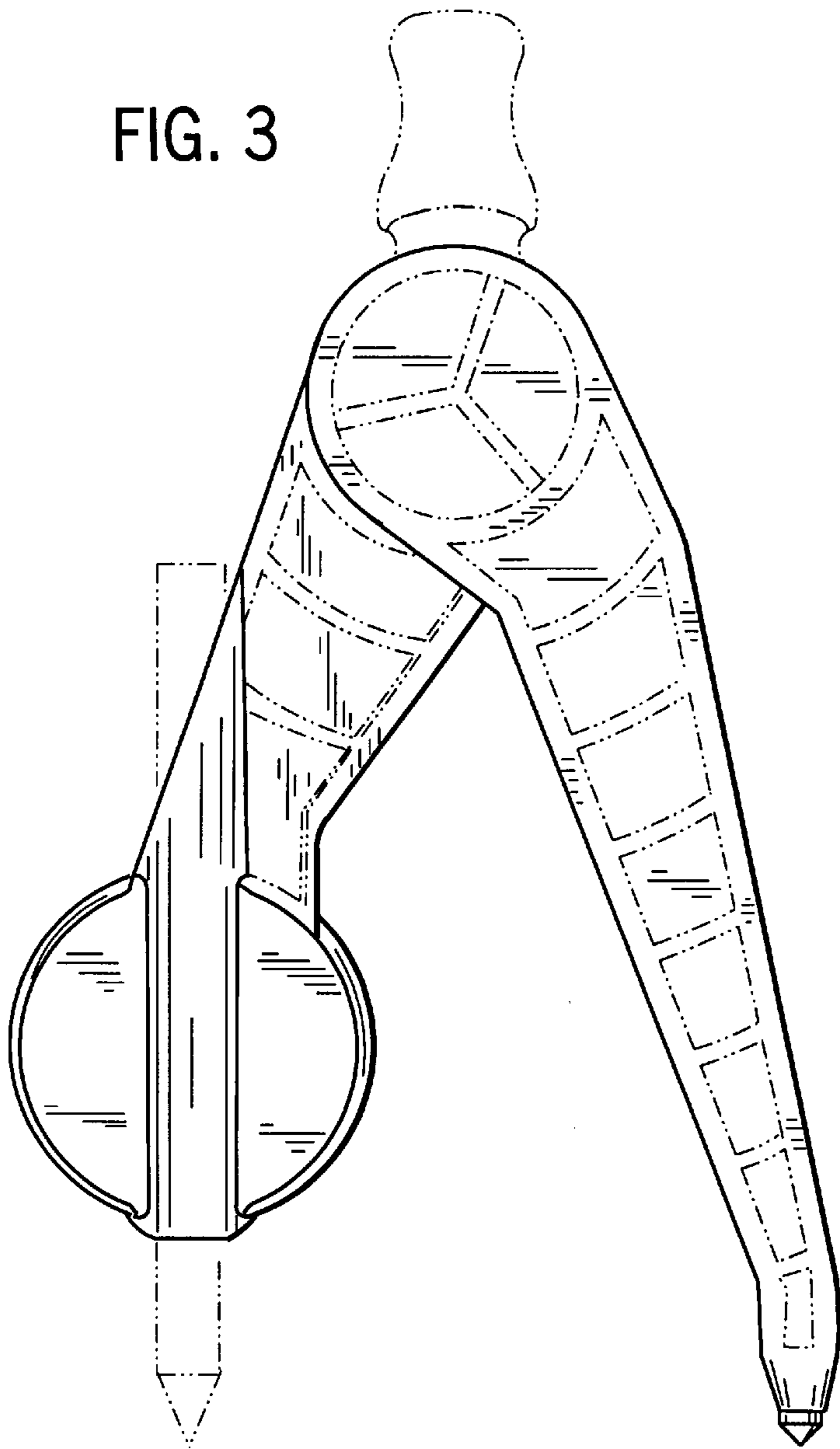
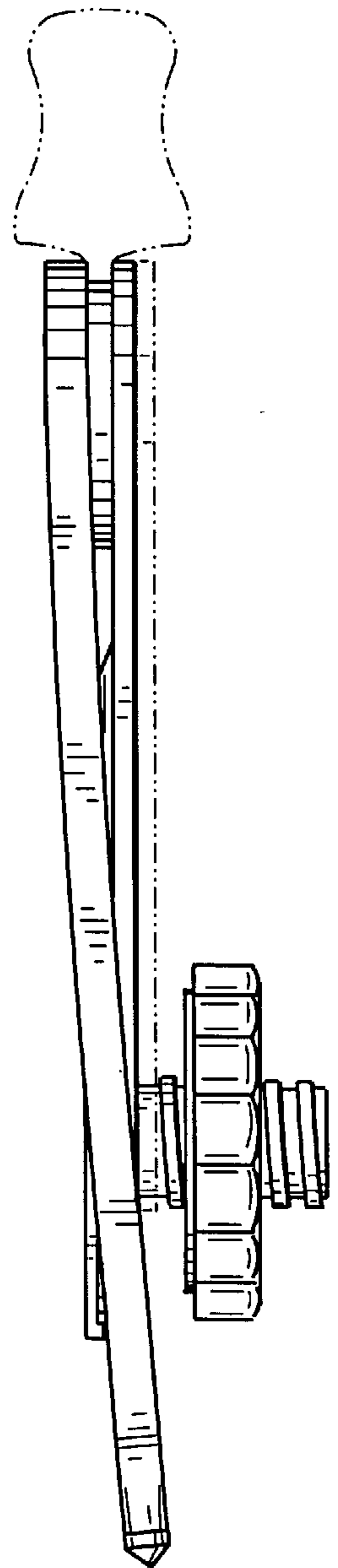


FIG. 4



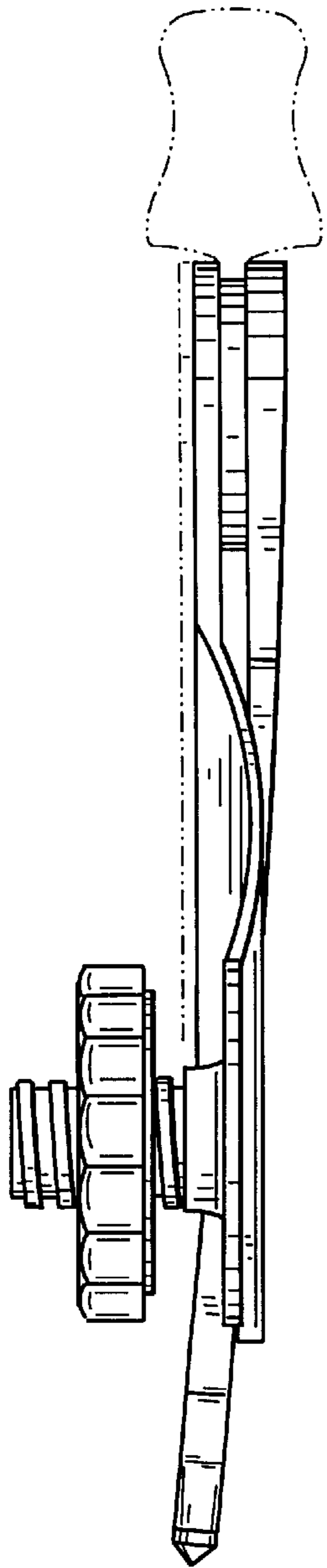


FIG. 5

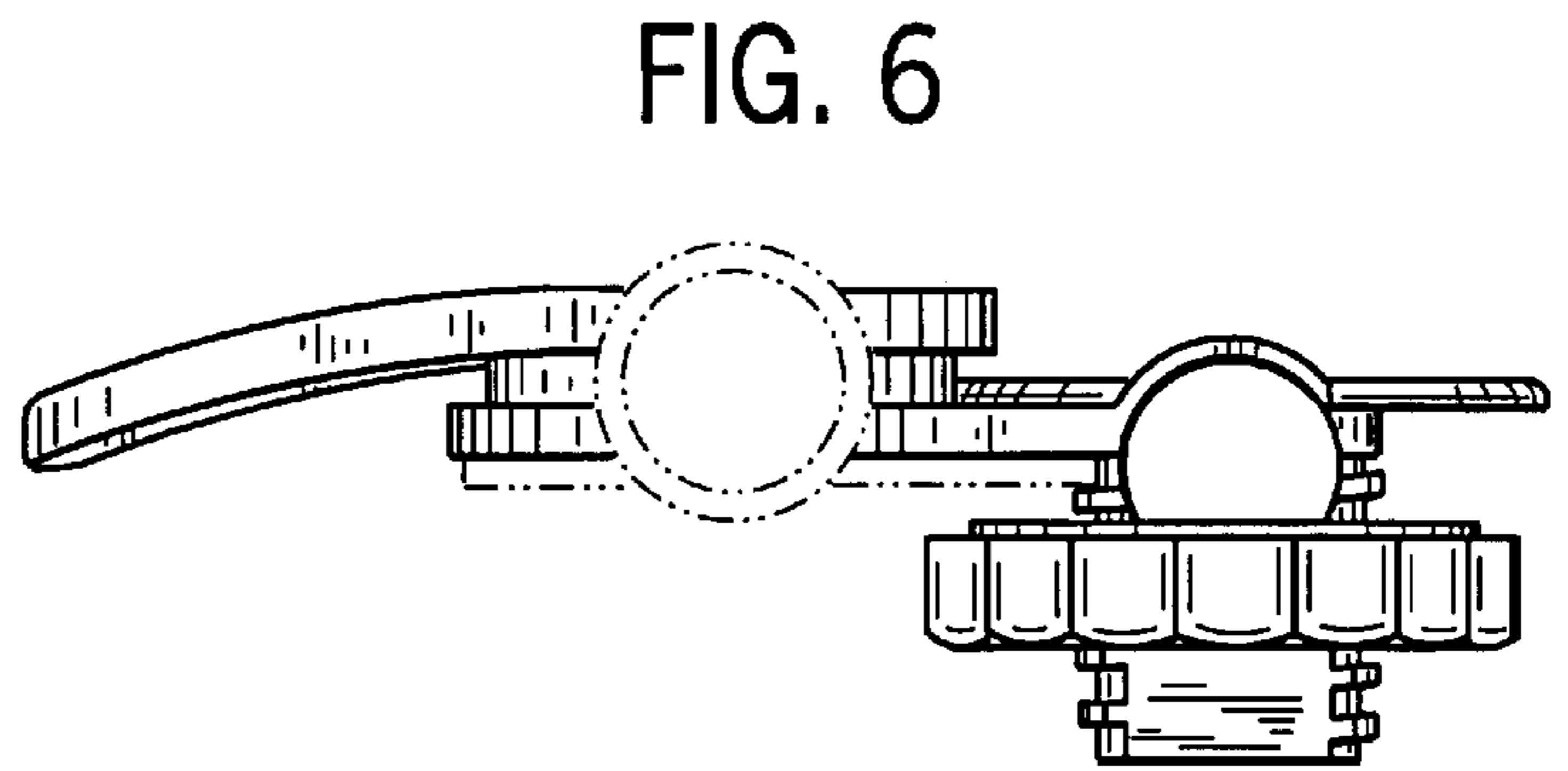


FIG. 6

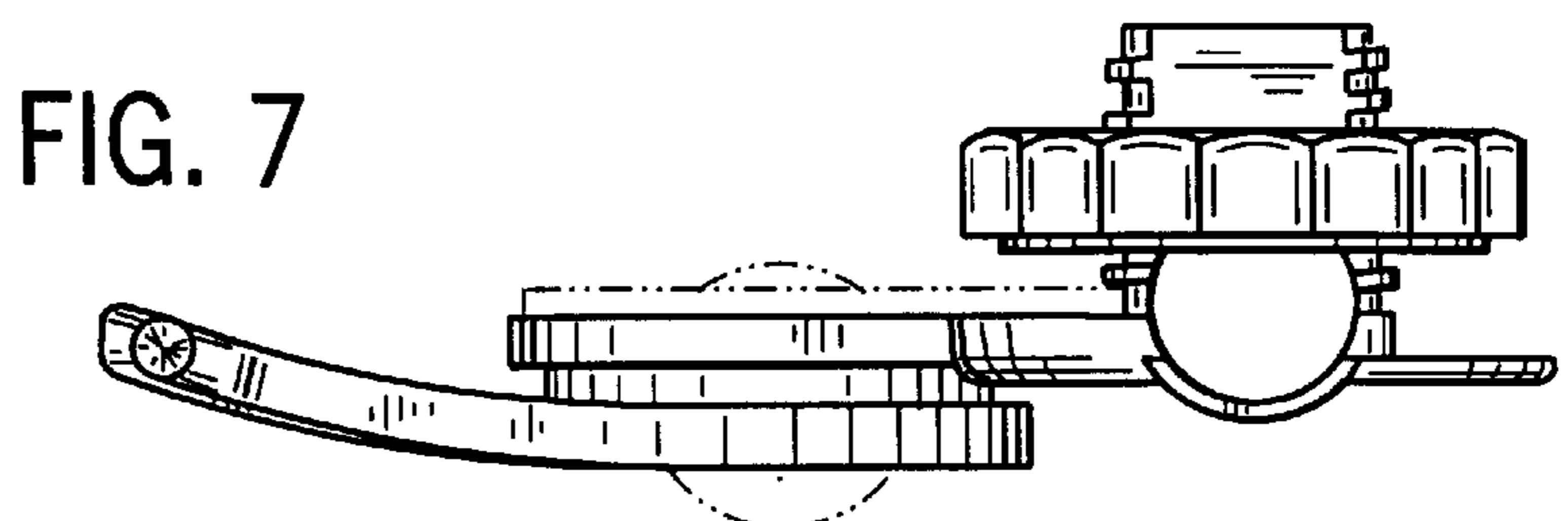


FIG. 7