



US00D412716S

United States Patent [19] Kroger

[11] Patent Number: Des. 412,716

[45] Date of Patent: ** Aug. 10, 1999

[54] PAPER SHREDDER

[75] Inventor: Bruce R. Kroger, West Chicago, Ill.

[73] Assignee: Fellowes Manufacturing Company, Itasca, Ill.

[**] Term: 14 Years

[21] Appl. No.: 29/090,138

[22] Filed: Jun. 30, 1998

4,919,345	4/1990	Burlington et al. .
4,997,164	3/1991	MacGregor .
5,054,695	10/1991	Koornhof .
5,071,080	12/1991	Herbst et al. .
5,230,477	7/1993	Strohmeier .
5,295,633	3/1994	Kimbrow et al. .
5,328,107	7/1994	Tsai .
5,346,144	9/1994	Stangenberg et al. .
5,400,978	3/1995	Strohmeier .
5,409,171	4/1995	Stangenberg et al. .
5,511,732	4/1996	Kroger et al. .
5,516,050	5/1996	Yamamoto et al. .

Related U.S. Application Data

[63] Continuation-in-part of application No. 08/846,734, Apr. 30, 1997, and application No. 08/847,159, Apr. 30, 1997, Pat. No. 5,826,809.

[51] LOC (6) Cl. 18-04

[52] U.S. Cl. D18/34

[58] Field of Search D18/34, 99; D19/72; D15/127, 129, 141; 241/236, 100, 169.1

[56] References Cited

U.S. PATENT DOCUMENTS

2,770,302	11/1956	Lee .
3,033,064	5/1962	Lee .
3,286,584	11/1966	Durand .
3,724,766	4/1973	Bosland .
3,797,765	3/1974	Samuels .
3,991,944	11/1976	Baikoff .
4,018,392	4/1977	Wagner .
4,172,400	10/1979	Brierley .
4,260,115	4/1981	Hatanaka .
4,394,983	7/1983	Ulsky .
4,489,897	12/1984	Turner et al. .
4,562,971	1/1986	Schwelling .
4,565,330	1/1986	Katoh .
4,657,192	4/1987	Browning .
4,688,730	8/1987	Dahle .
4,690,340	9/1987	Hatanaka .
4,691,871	9/1987	Mochizuki .
4,693,428	9/1987	Rateman et al. .
4,772,765	9/1988	Markle et al. .
4,869,435	9/1989	Pistorius et al. .

FOREIGN PATENT DOCUMENTS

0 395 935 A2	11/1990	European Pat. Off. .
3 312 173	10/1984	Germany .
2 097 717	11/1982	United Kingdom .

OTHER PUBLICATIONS

Miller's Office Products catalog, from the examiner's collection, p. 894, shredders A-G, Dec. 1997.
Bulletin No. 10822-1, 3/8 2-Speed Rev. Cordless Drill The Black & Decker Corporation, Jul. 1988.
U.S. Patent application Ser. No. 08/519,409, filed Aug. 24, 1995 by Bruce R. Kroger, Speconly.

Primary Examiner—Louis S. Zarfaz
Assistant Examiner—G. Andoll
Attorney, Agent, or Firm—Brinks Hofer Gilson & Lione

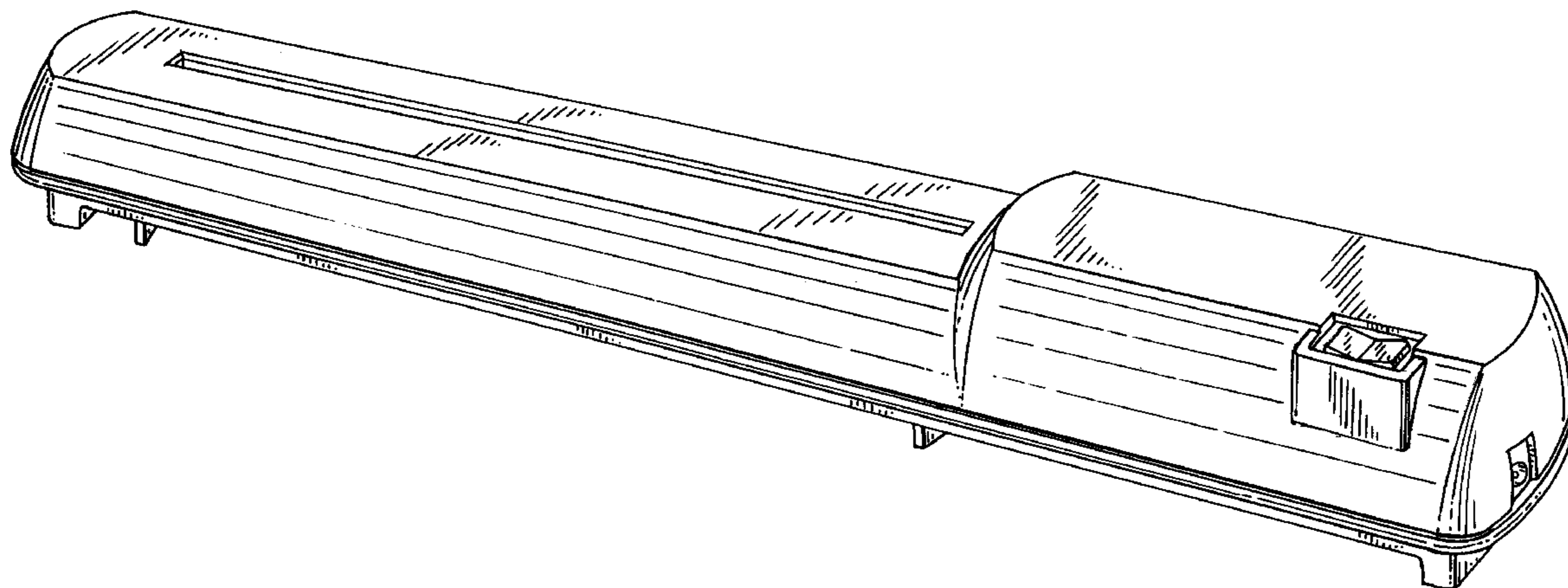
[57] CLAIM

The ornamental design for a paper shredder, as shown and described.

DESCRIPTION

FIG. 1 is a perspective view of a paper shredder showing my new design;
FIG. 2 is a right side elevation view thereof;
FIG. 3 is a left side elevation view thereof;
FIG. 4 is a front elevation view thereof;
FIG. 5 is a rear side elevation view thereof;
FIG. 6 is a top plan view thereof; and,
FIG. 7 is a bottom plan view thereof.

1 Claim, 2 Drawing Sheets



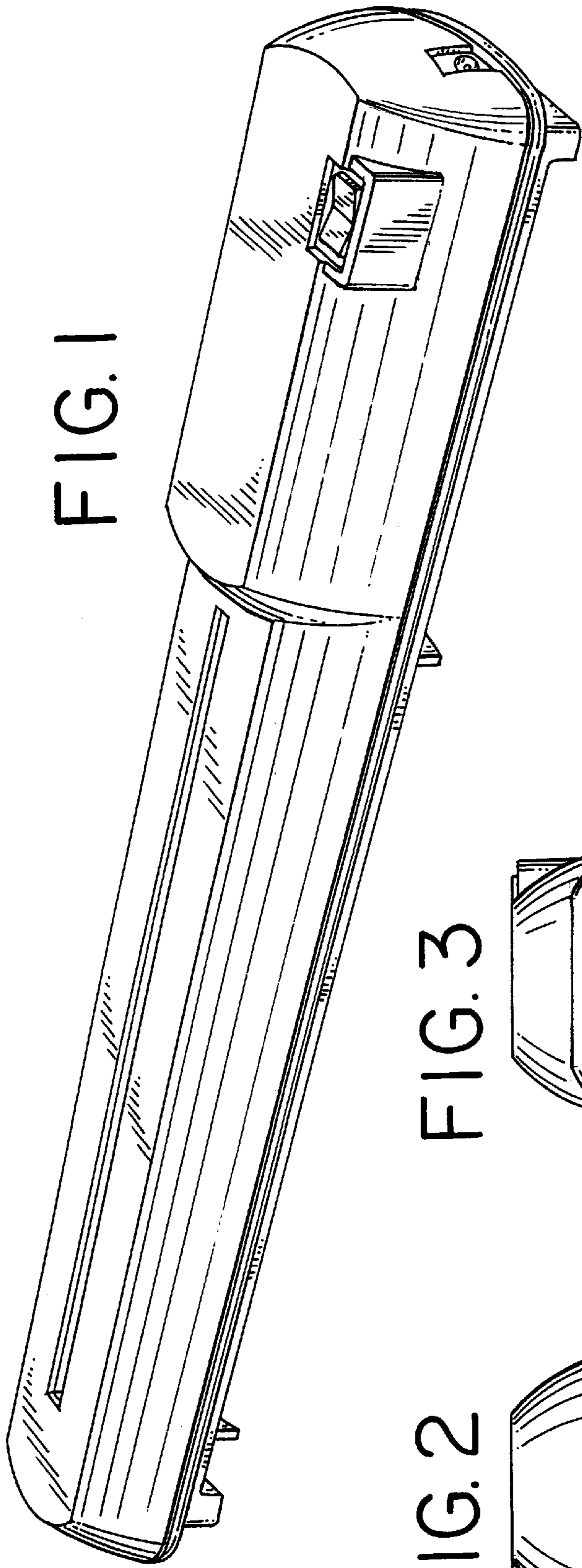


FIG. 2

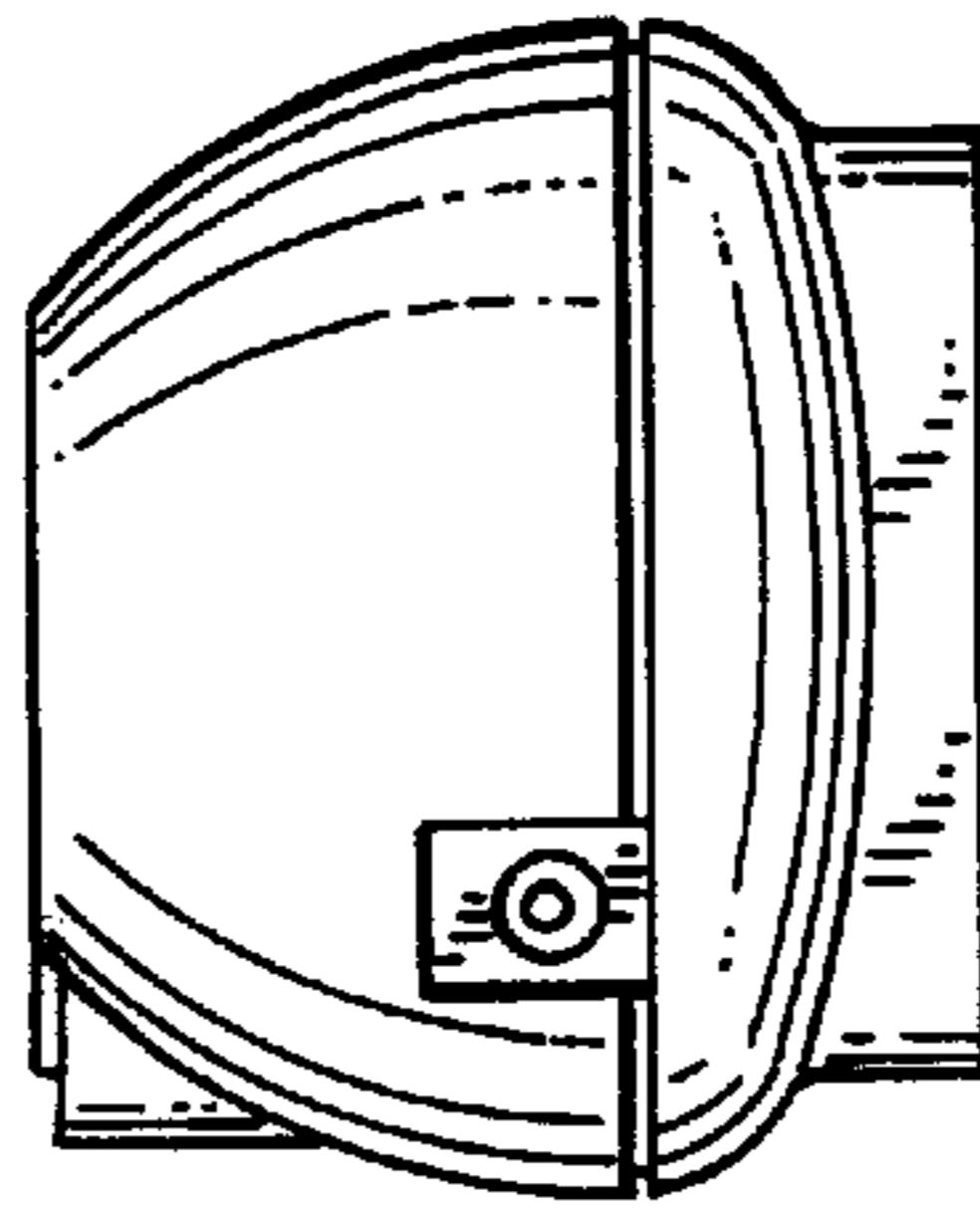


FIG. 3

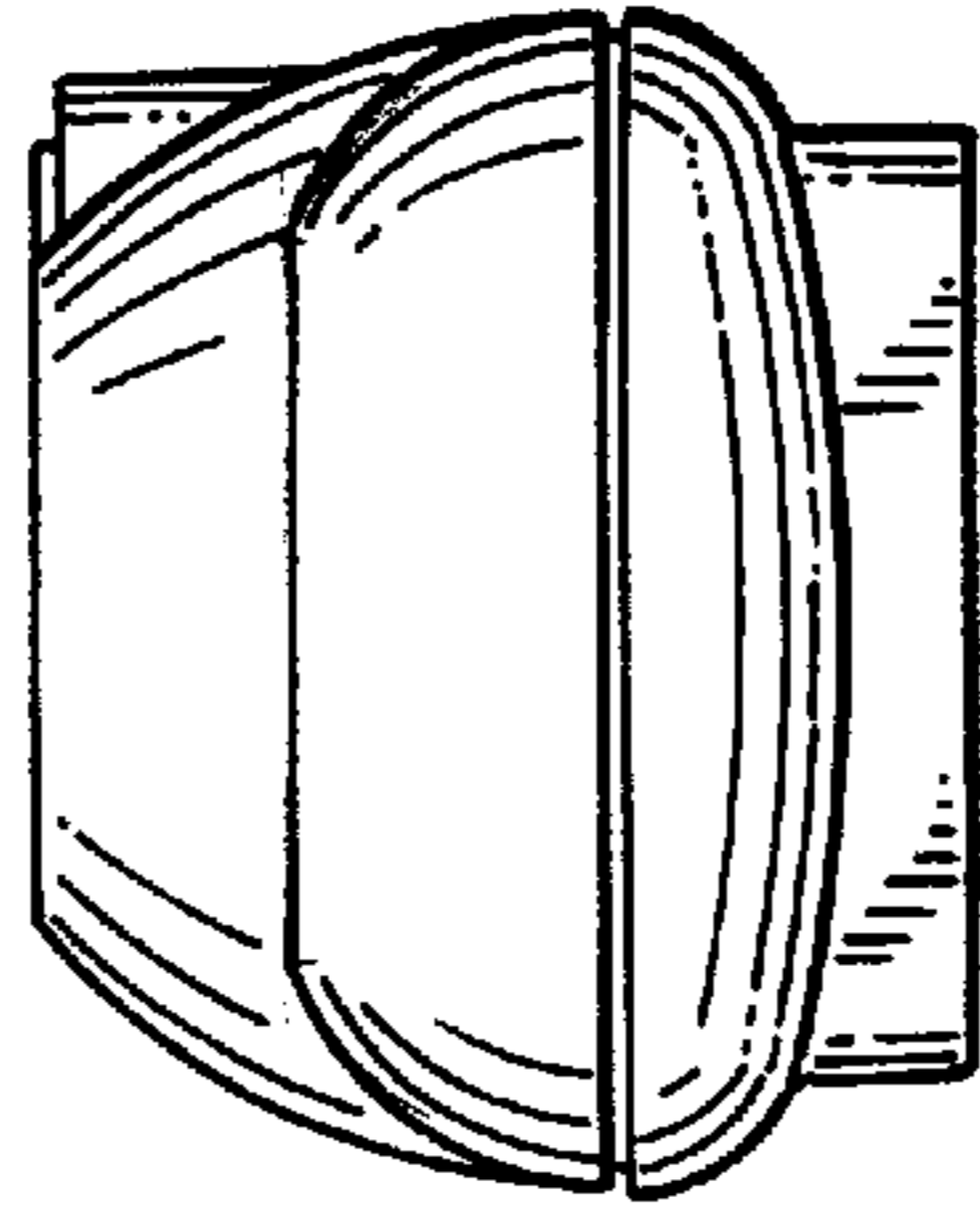


FIG. 4

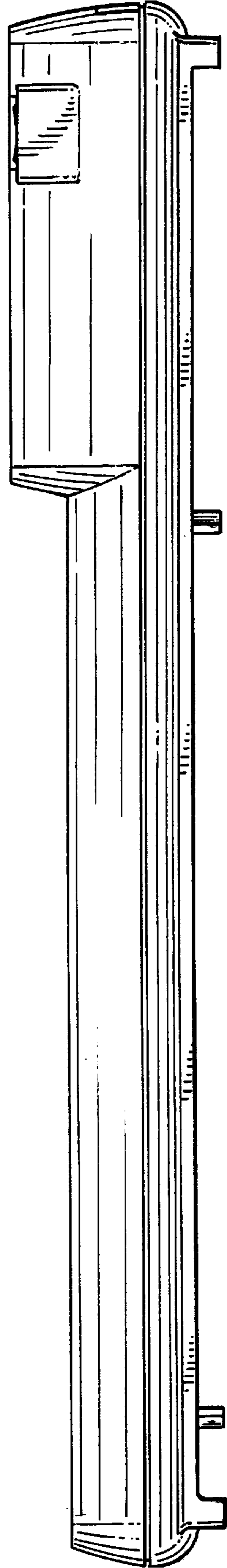


FIG. 5

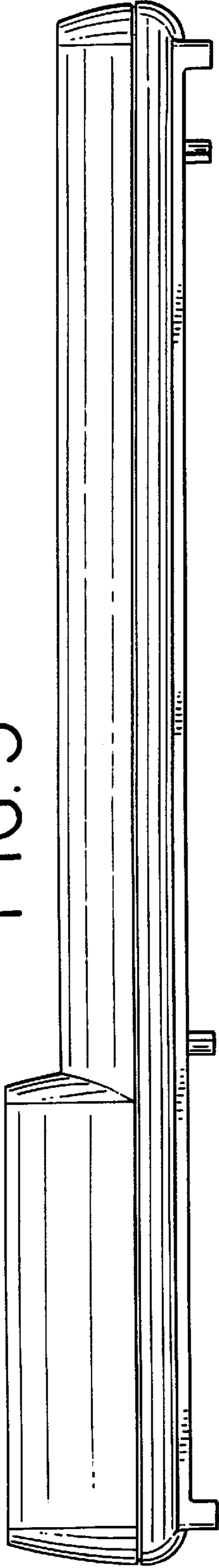


FIG. 6

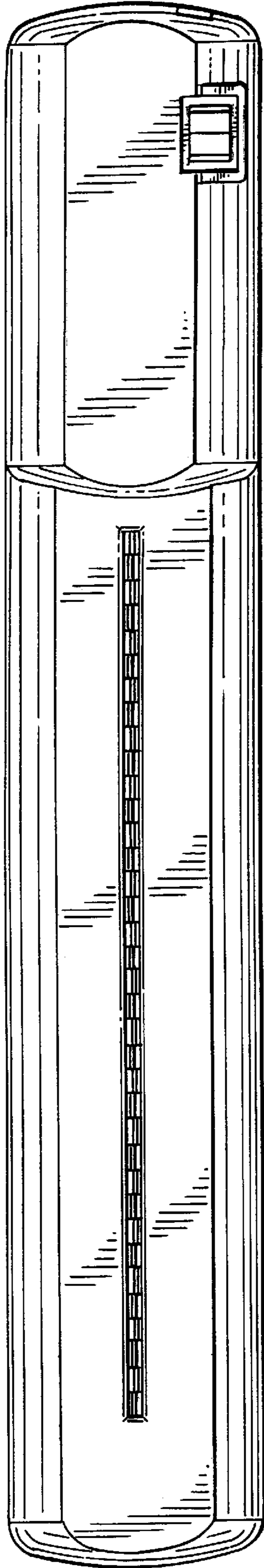


FIG. 7

