



US00D412714S

# United States Patent [19]

[11] Patent Number: Des. 412,714

Nagai et al.

[45] Date of Patent: \*\* Aug. 10, 1999

## [54] ACTUATOR BODY

[75] Inventors: **Shigekazu Nagai**, Tokyo; **Masaki Miyahara**, Ibaraki-ken, both of Japan

[73] Assignee: **SMC Kabushiki Kaisha**, Tokyo, Japan

[\*\*] Term: **14 Years**

[21] Appl. No.: **29/087,163**

[22] Filed: **Apr. 28, 1998**

### [30] Foreign Application Priority Data

Nov. 6, 1997	[JP]	Japan	.....	9-74050
Nov. 6, 1997	[JP]	Japan	.....	9-74051
Nov. 6, 1997	[JP]	Japan	.....	9-74052

[51] **LOC (6) Cl.** ..... **15-09**

[52] **U.S. Cl.** ..... **D15/199; D15/149**

[58] **Field of Search** ..... **D15/199, 149; 74/89.15, 490.09; 310/80, 20**

### [56] References Cited

#### U.S. PATENT DOCUMENTS

D. 379,468	5/1997	Nagai et al.	.....	D15/199
5,445,045	8/1995	Nagai et al.	.....	74/490.09

*Primary Examiner*—Antoine Duval Davis

*Attorney, Agent, or Firm*—Frishauf, Holtz, Goodman, Langer & Chick

### [57] CLAIM

The ornamental design for an actuator body, as shown and described.

### DESCRIPTION

FIG. 1 is a top, front and left side perspective view of an actuator body showing our new design;

FIG. 2 is a front view thereof, the rear view being a mirror image thereof;

FIG. 3 is a right side view thereof, the left side view thereof being identical with the right side view;

FIG. 4 is a top plan view thereof;

FIG. 5 is a bottom plan view thereof;

FIG. 6 is a top, front and left side perspective view of a second embodiment thereof;

FIG. 7 is a front view thereof, the rear view being a mirror image thereof;

FIG. 8 is a right side view thereof, the left side view thereof being identical with the right side view;

FIG. 9 is a top plan view thereof;

FIG. 10 is a bottom plan view thereof;

FIG. 11 is a top, front and left side perspective view of a third embodiment thereof;

FIG. 12 is a front view thereof, the rear view being a mirror image thereof;

FIG. 13 is a right side view thereof, the left side view thereof being identical with the right side view;

FIG. 14 is a top plan view thereof; and,

FIG. 15 is a bottom plan view thereof.

**1 Claim, 9 Drawing Sheets**

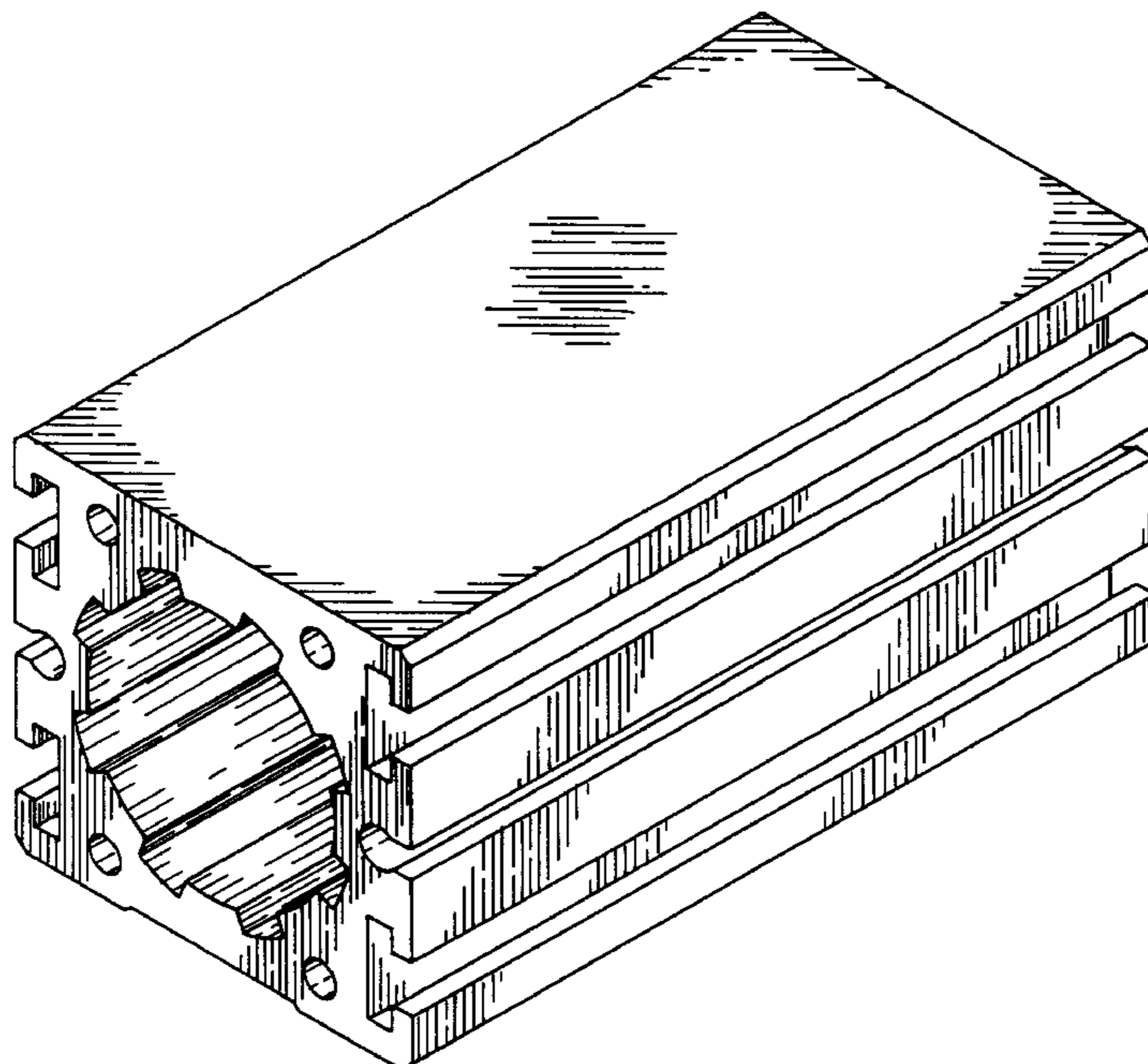


FIG. 1

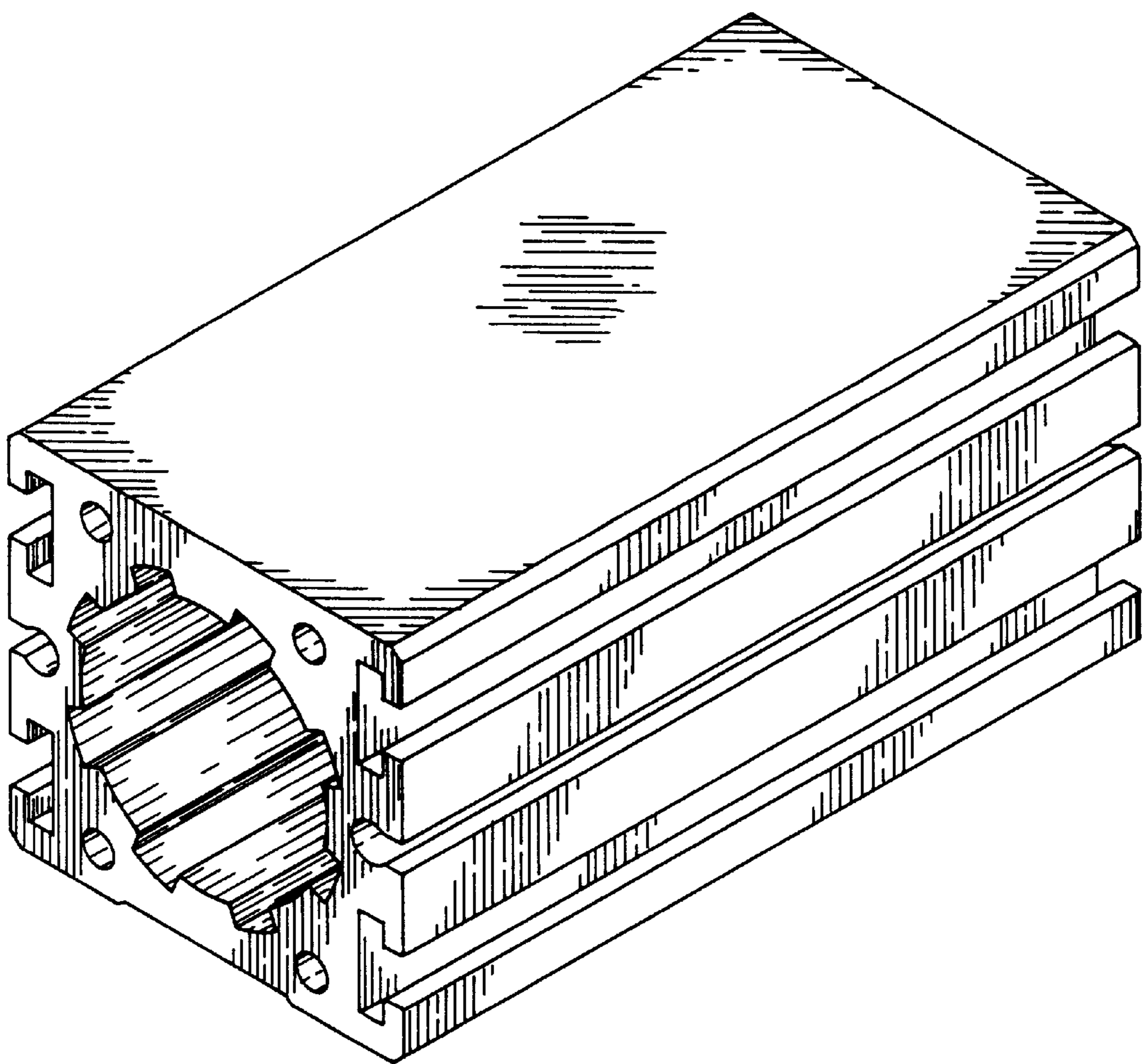


FIG. 2

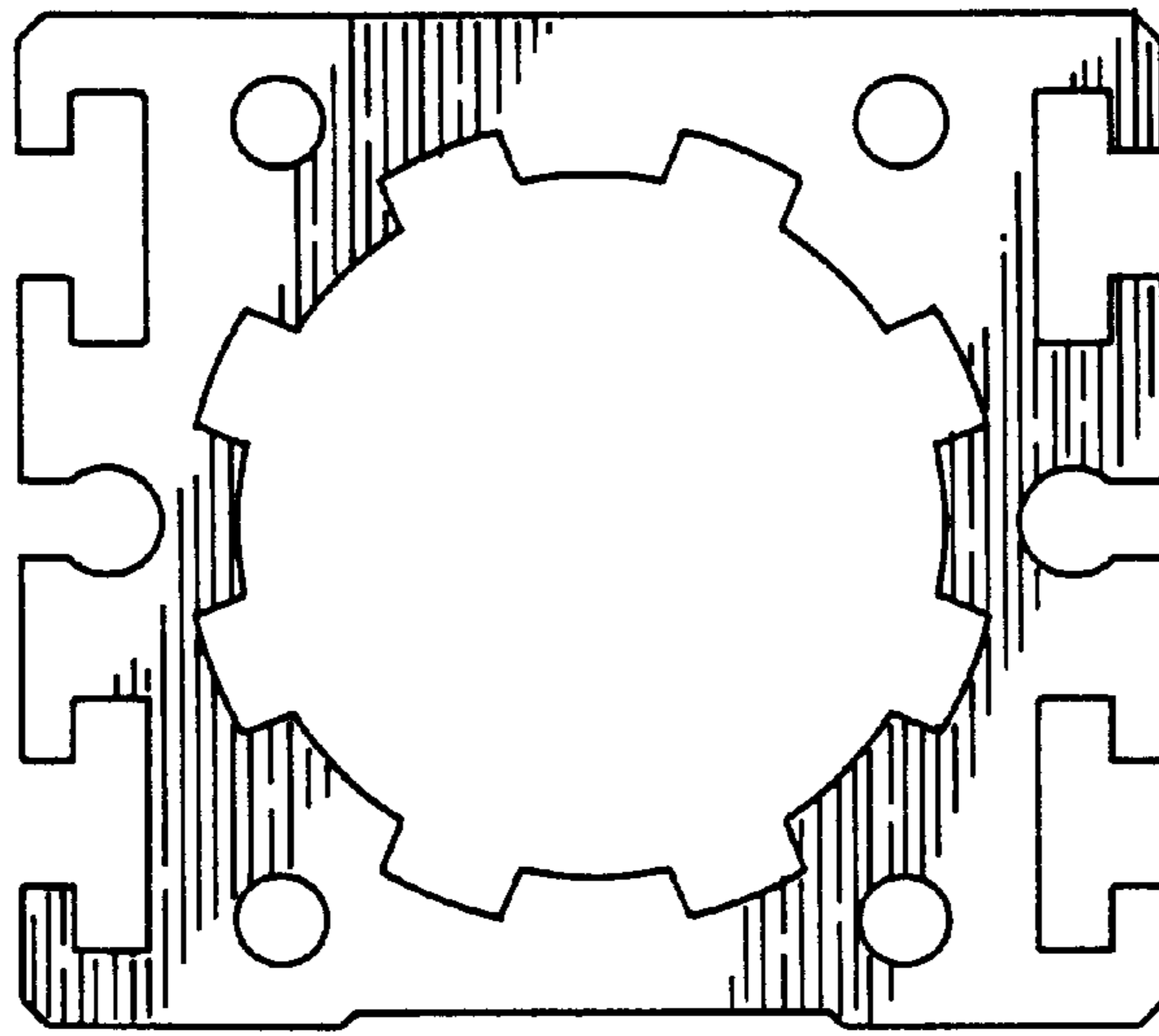


FIG. 3

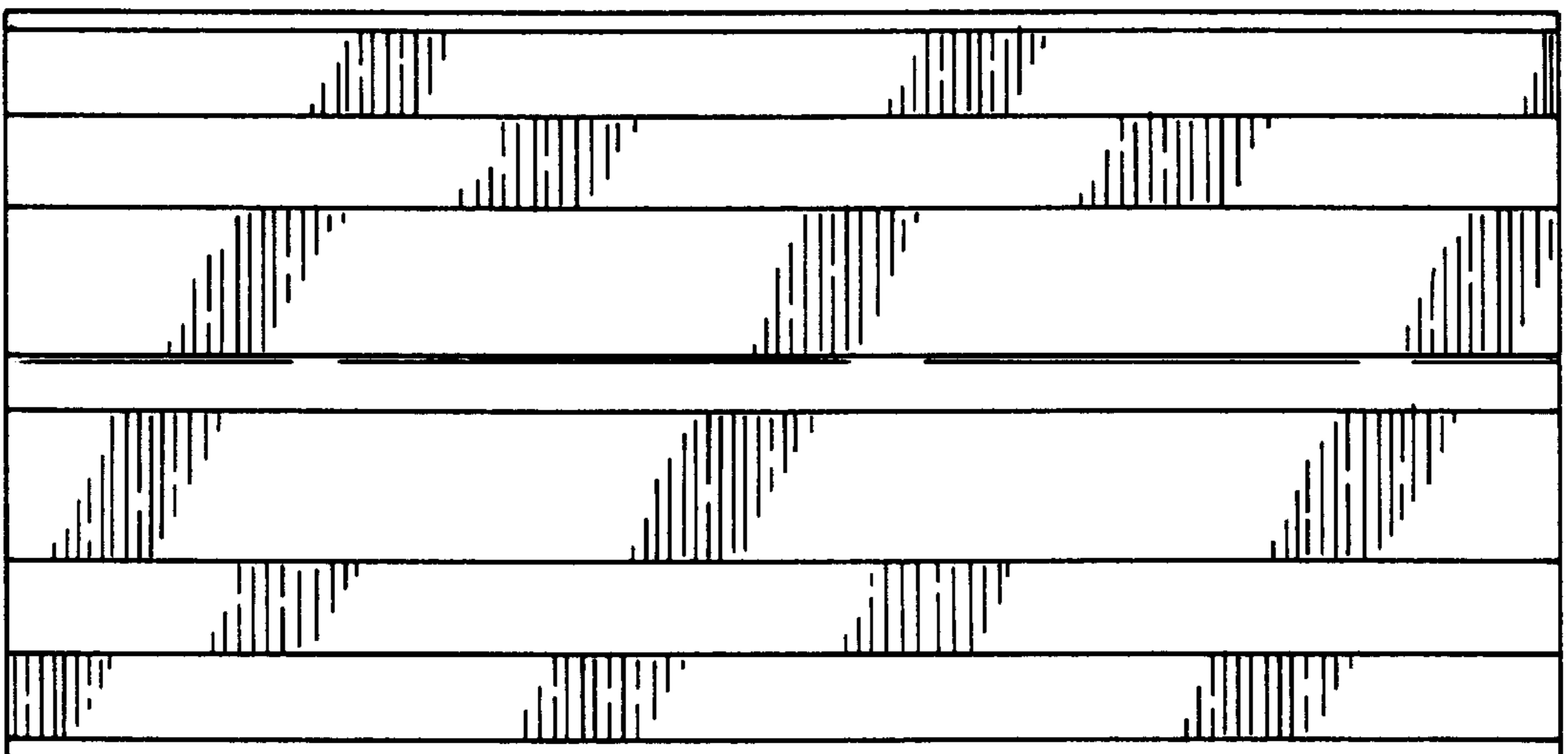


FIG. 4

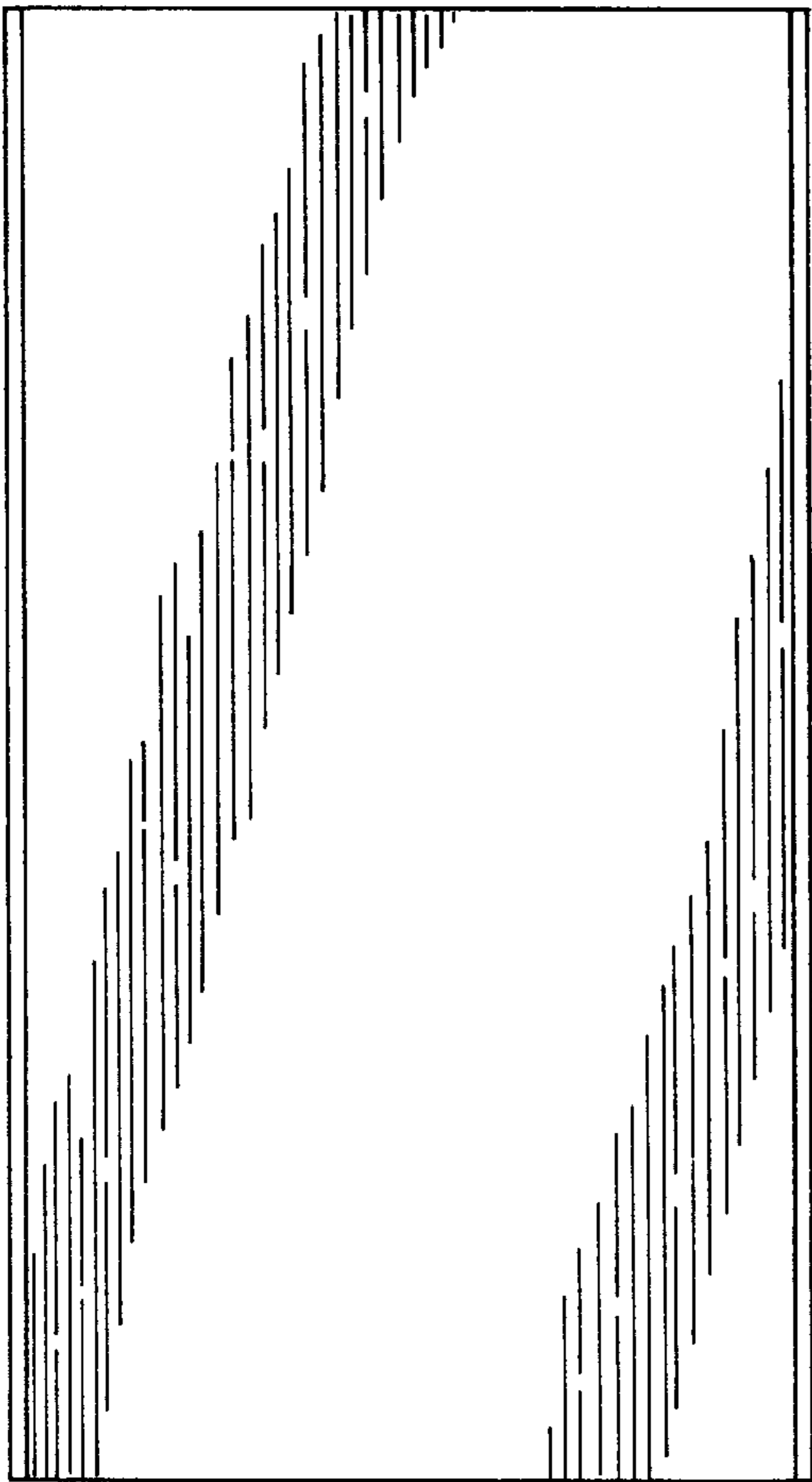


FIG. 5

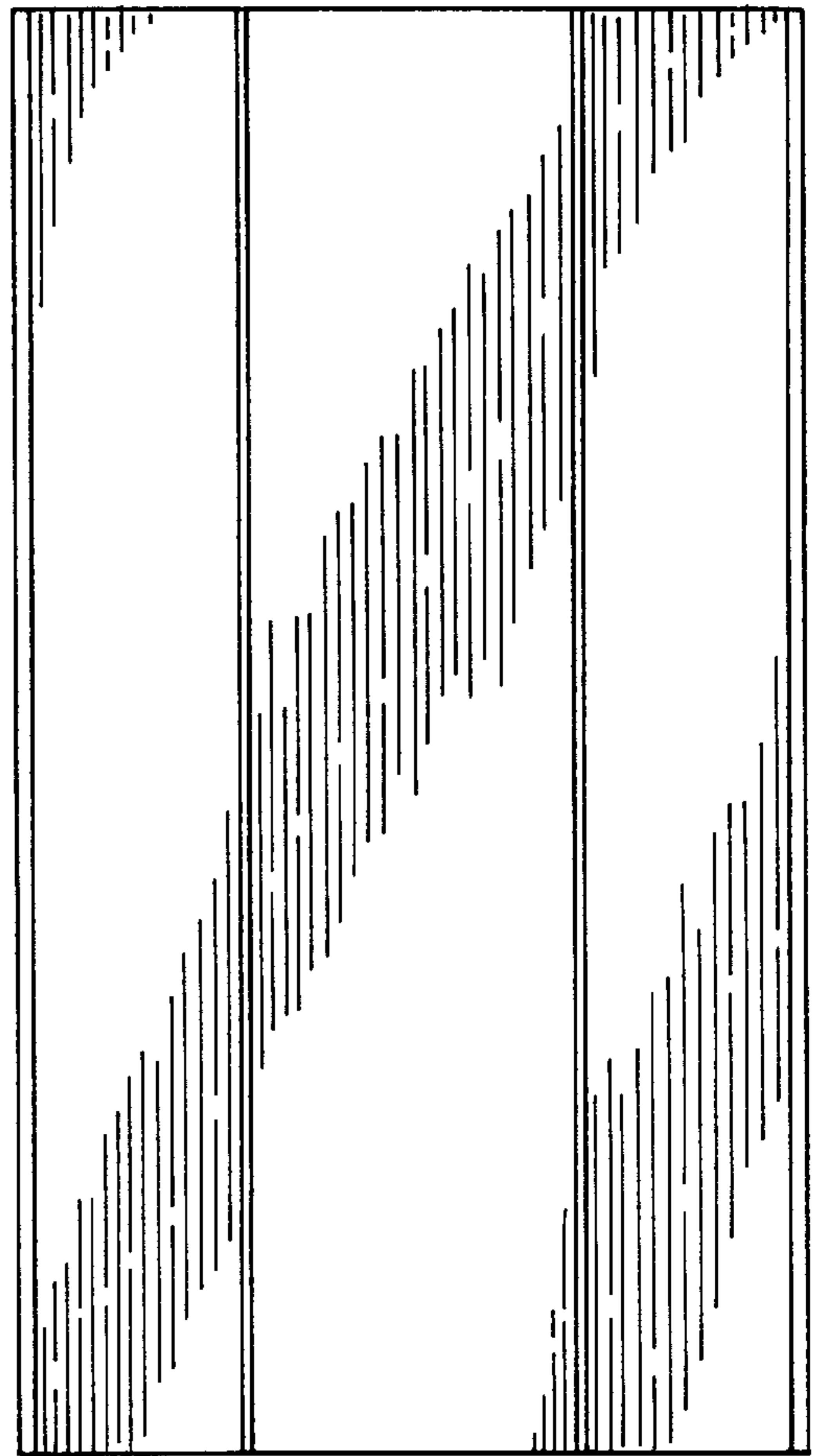


FIG. 6

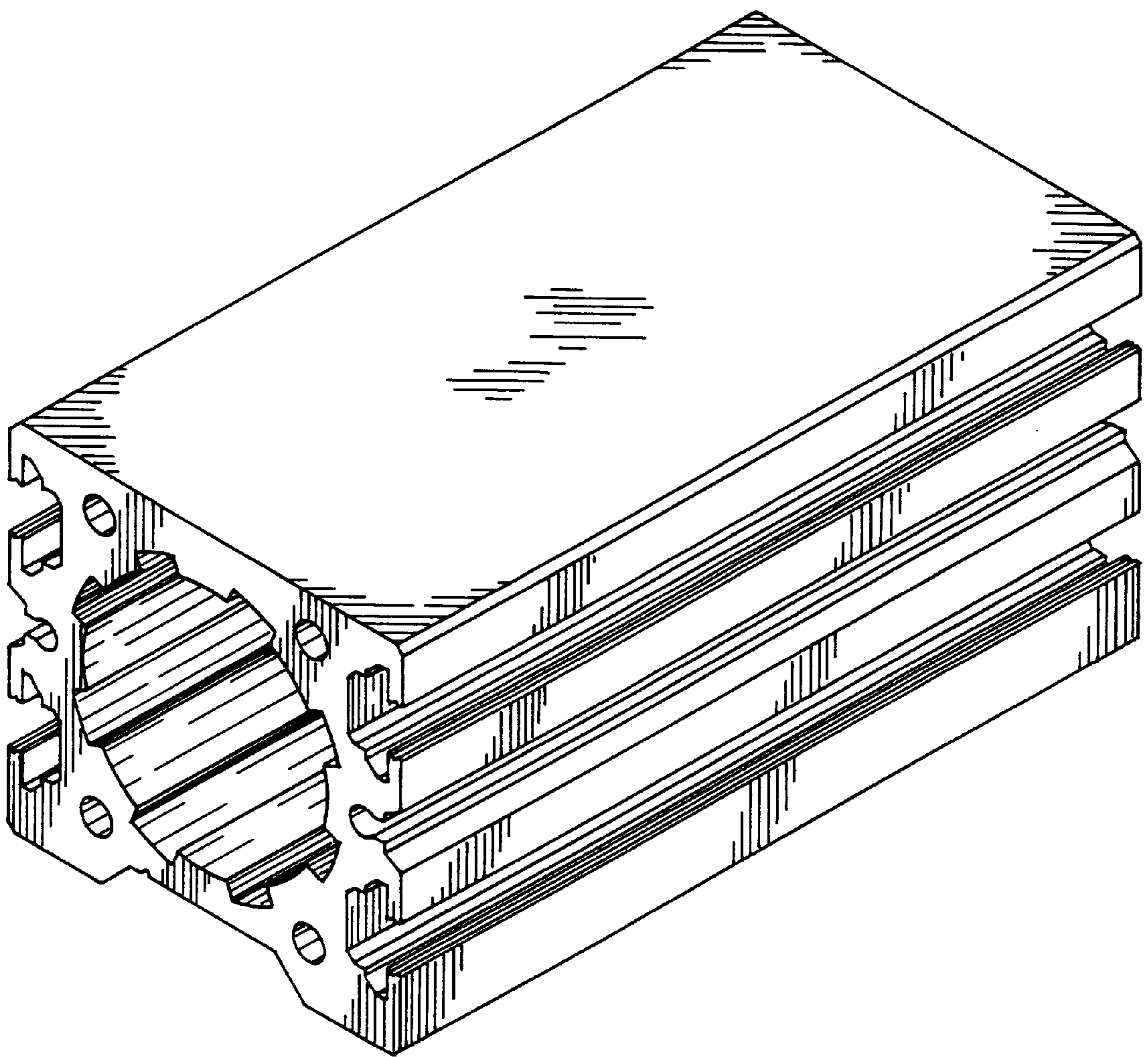


FIG. 7

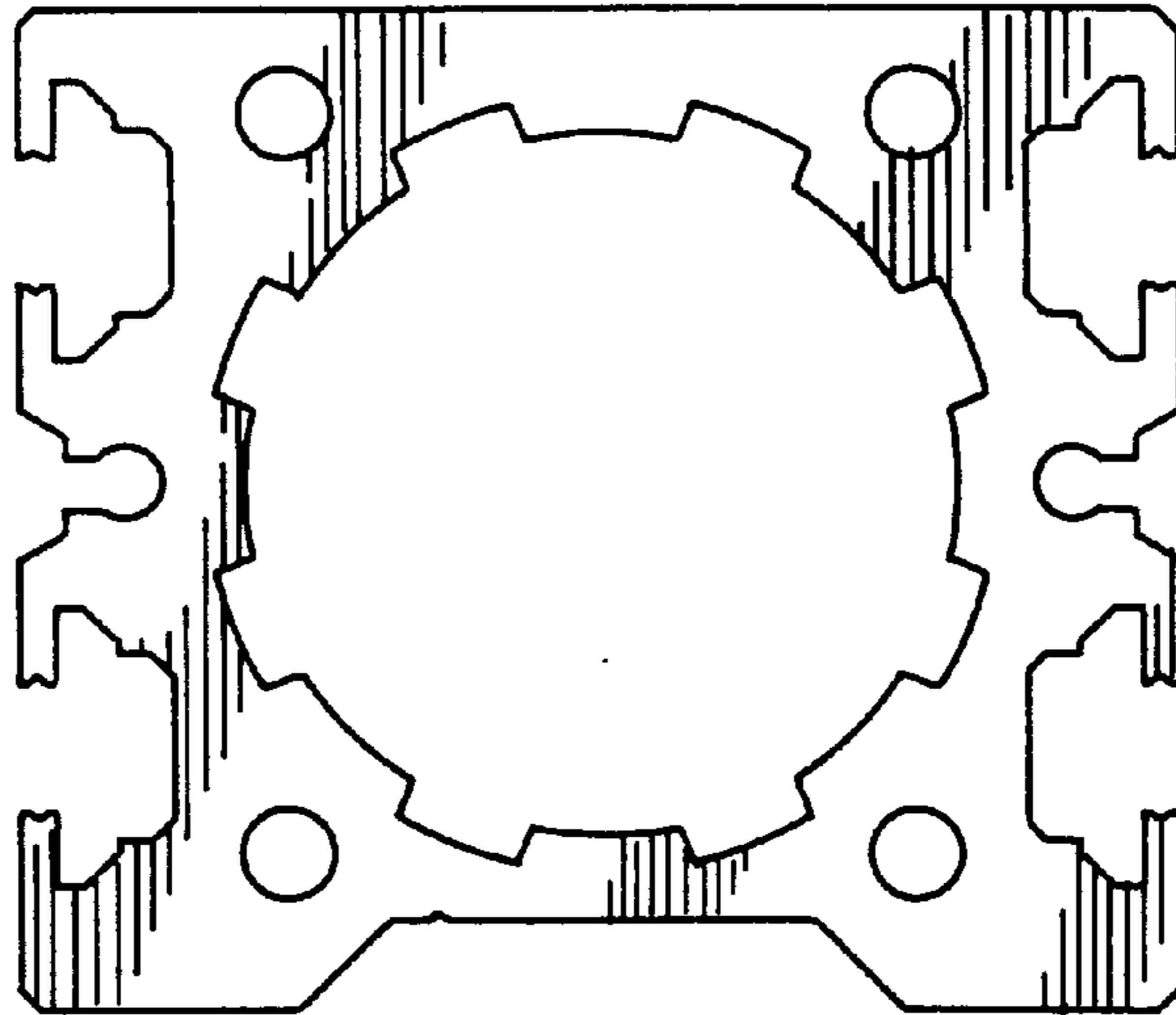


FIG. 8

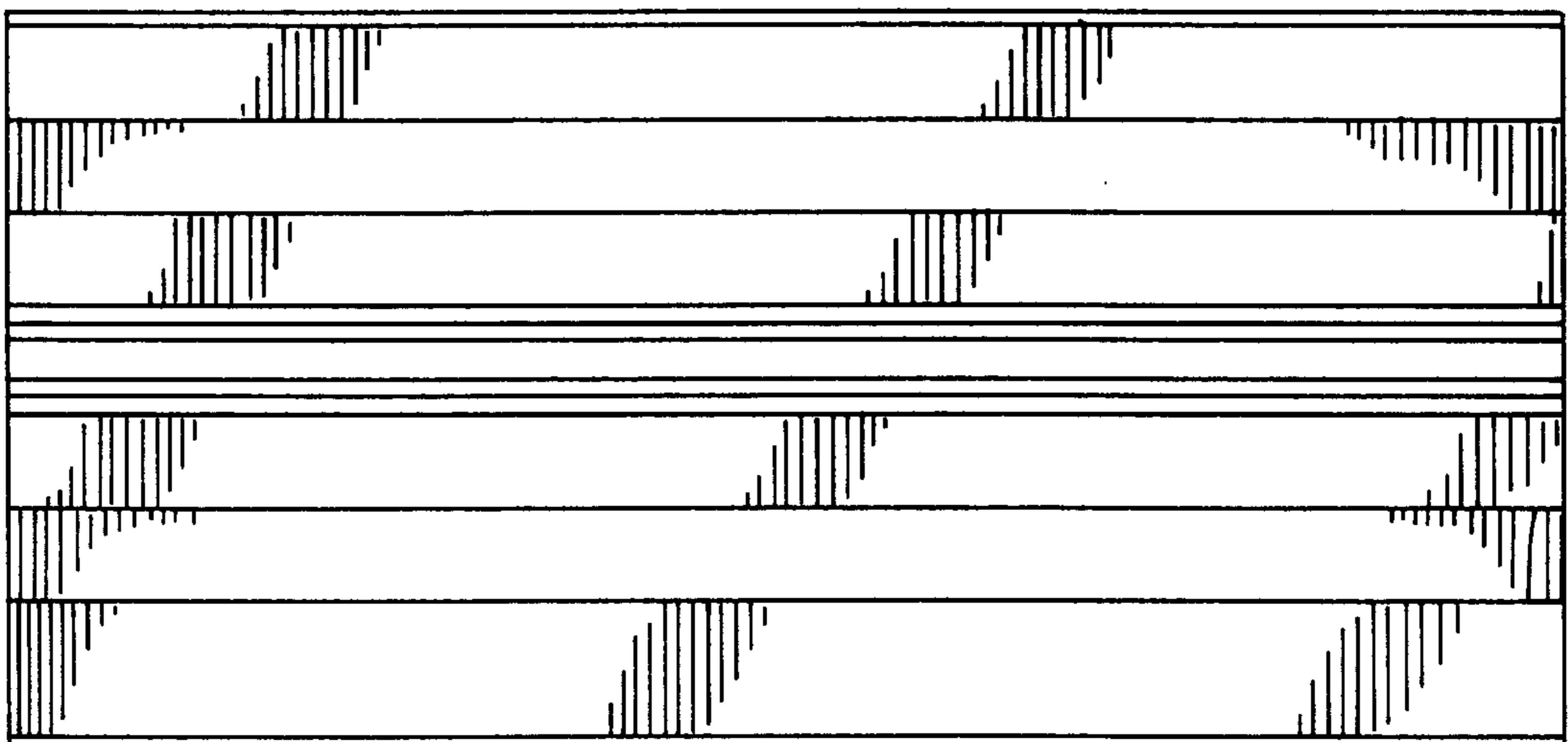


FIG. 9

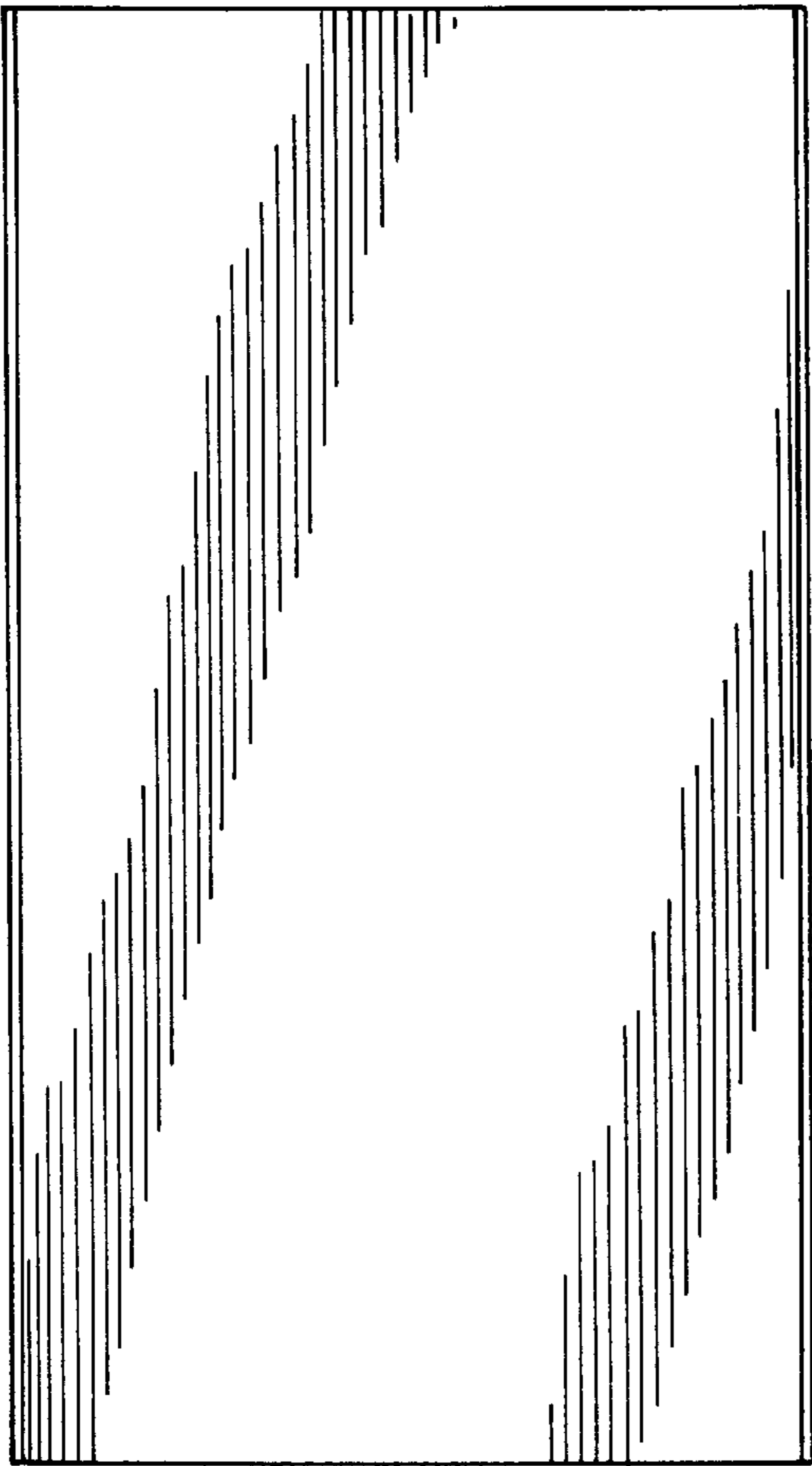


FIG. 10

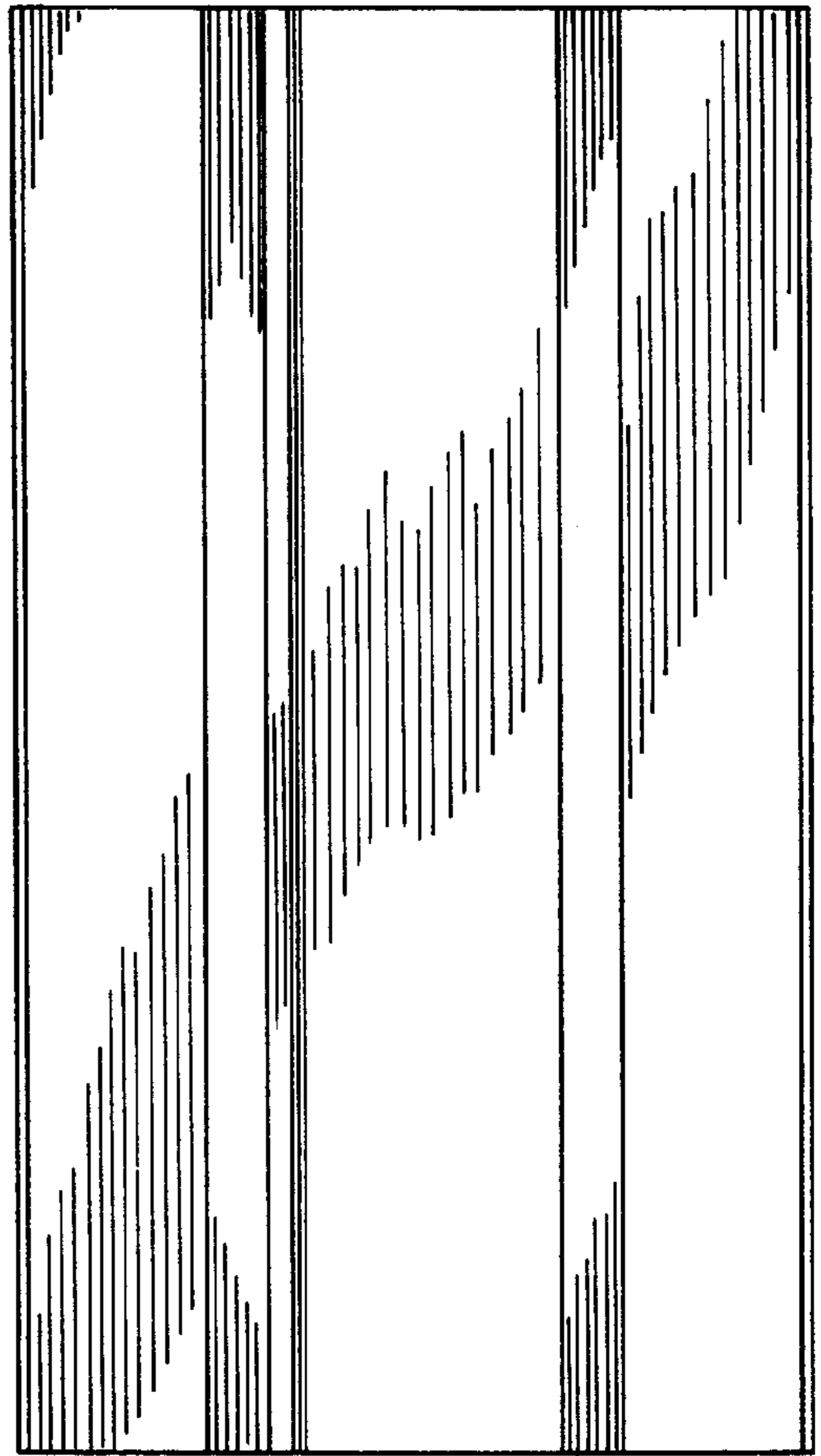


FIG. 11

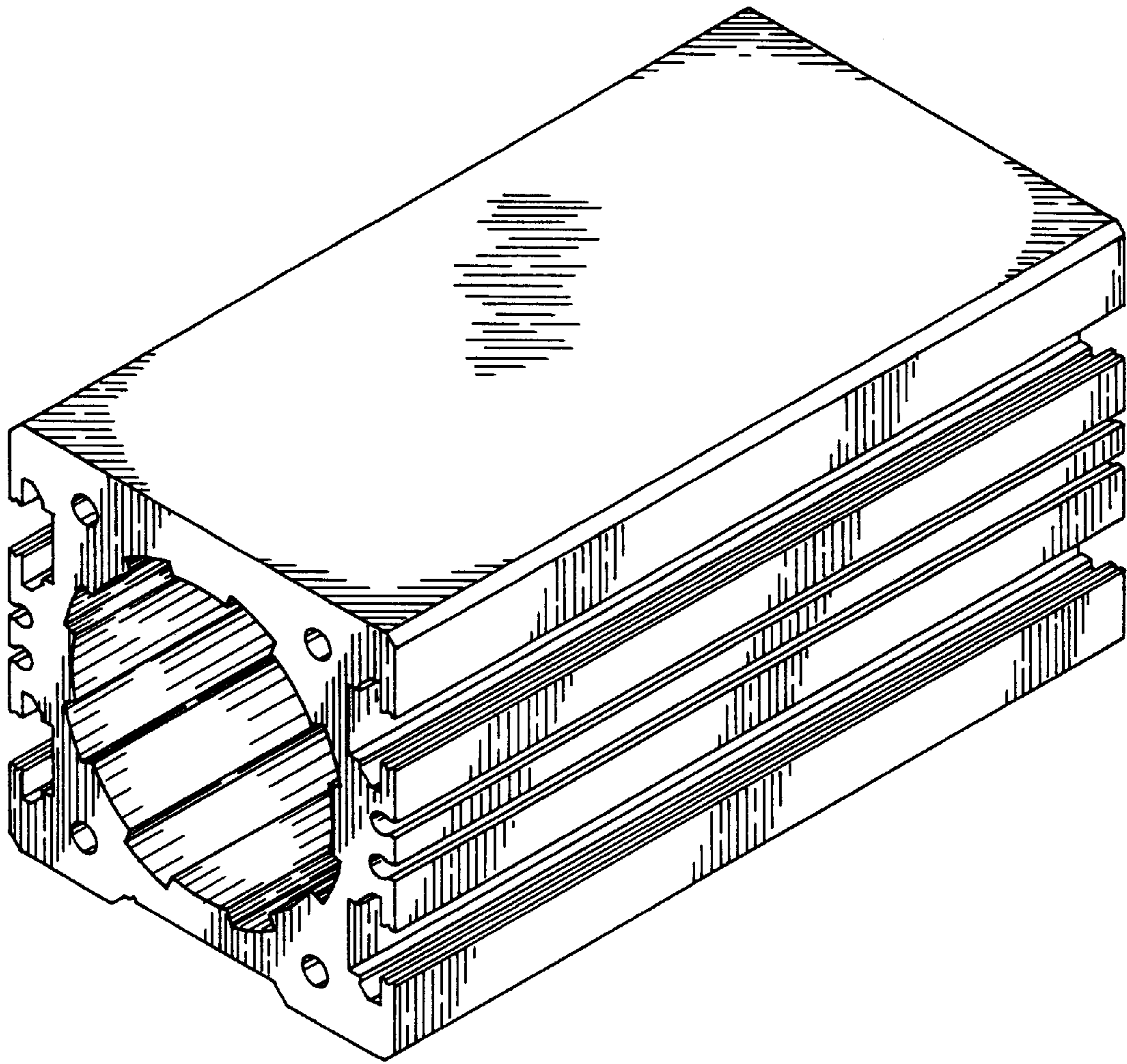




FIG. 12

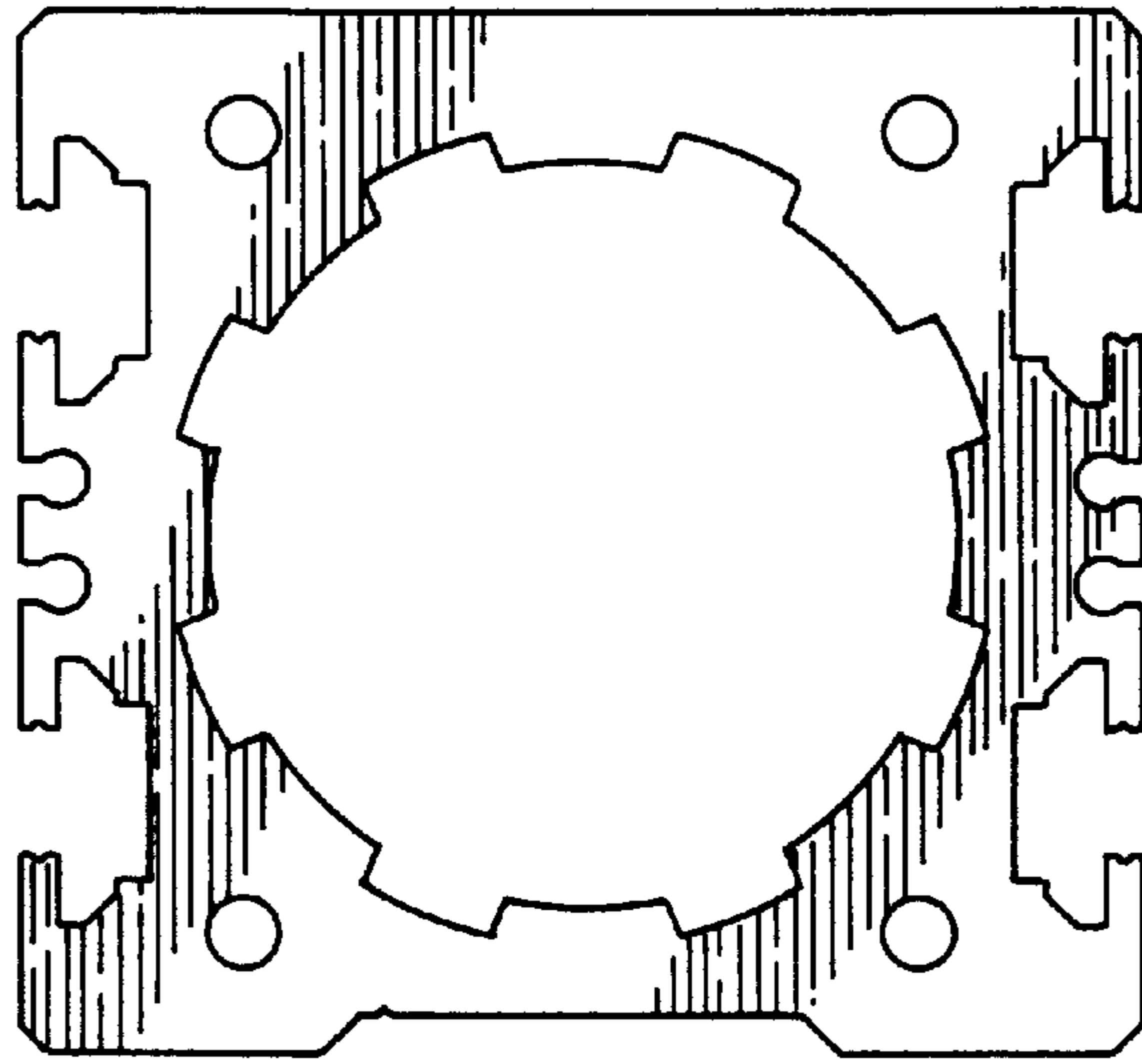


FIG. 13

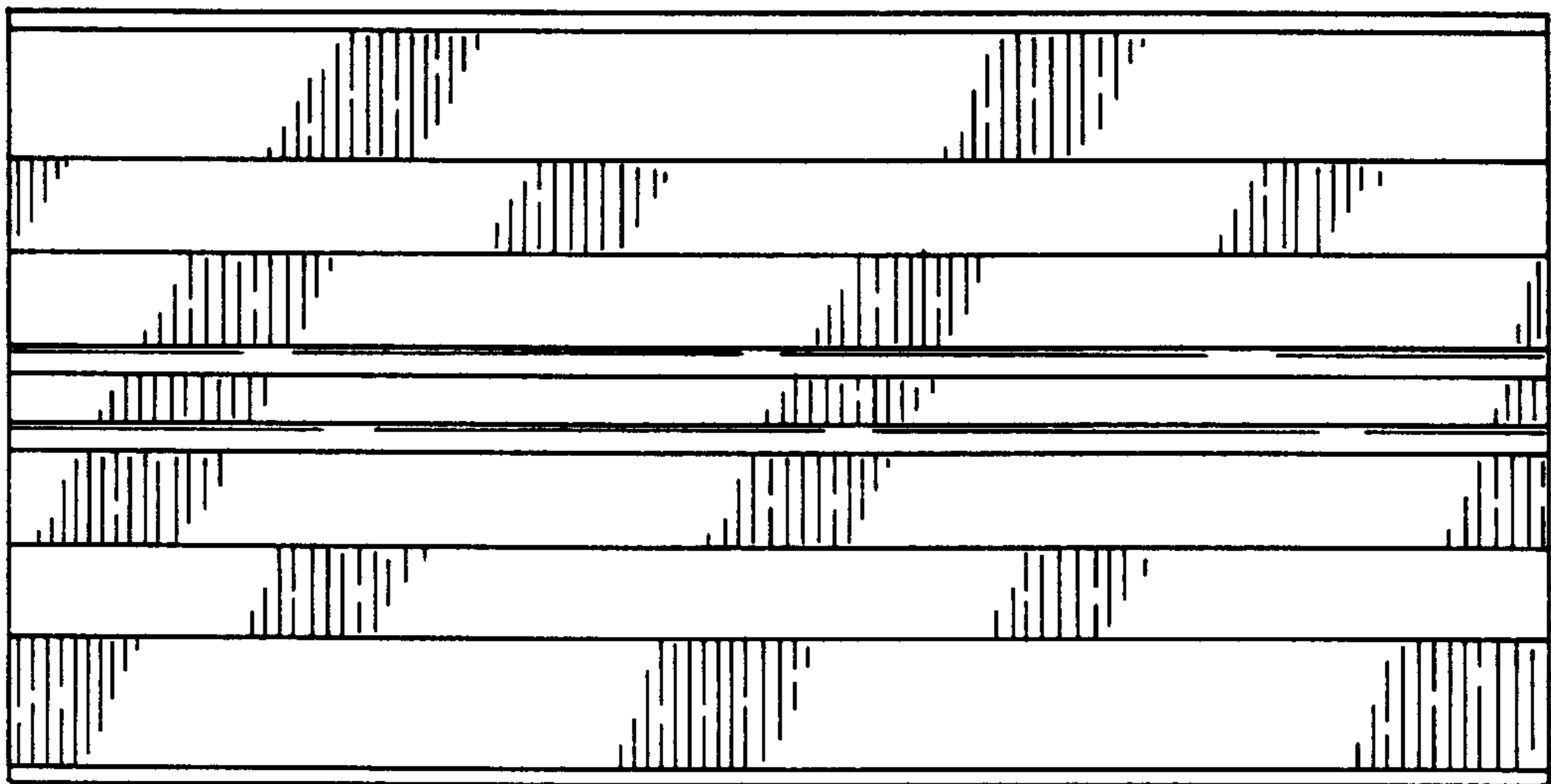


FIG. 14

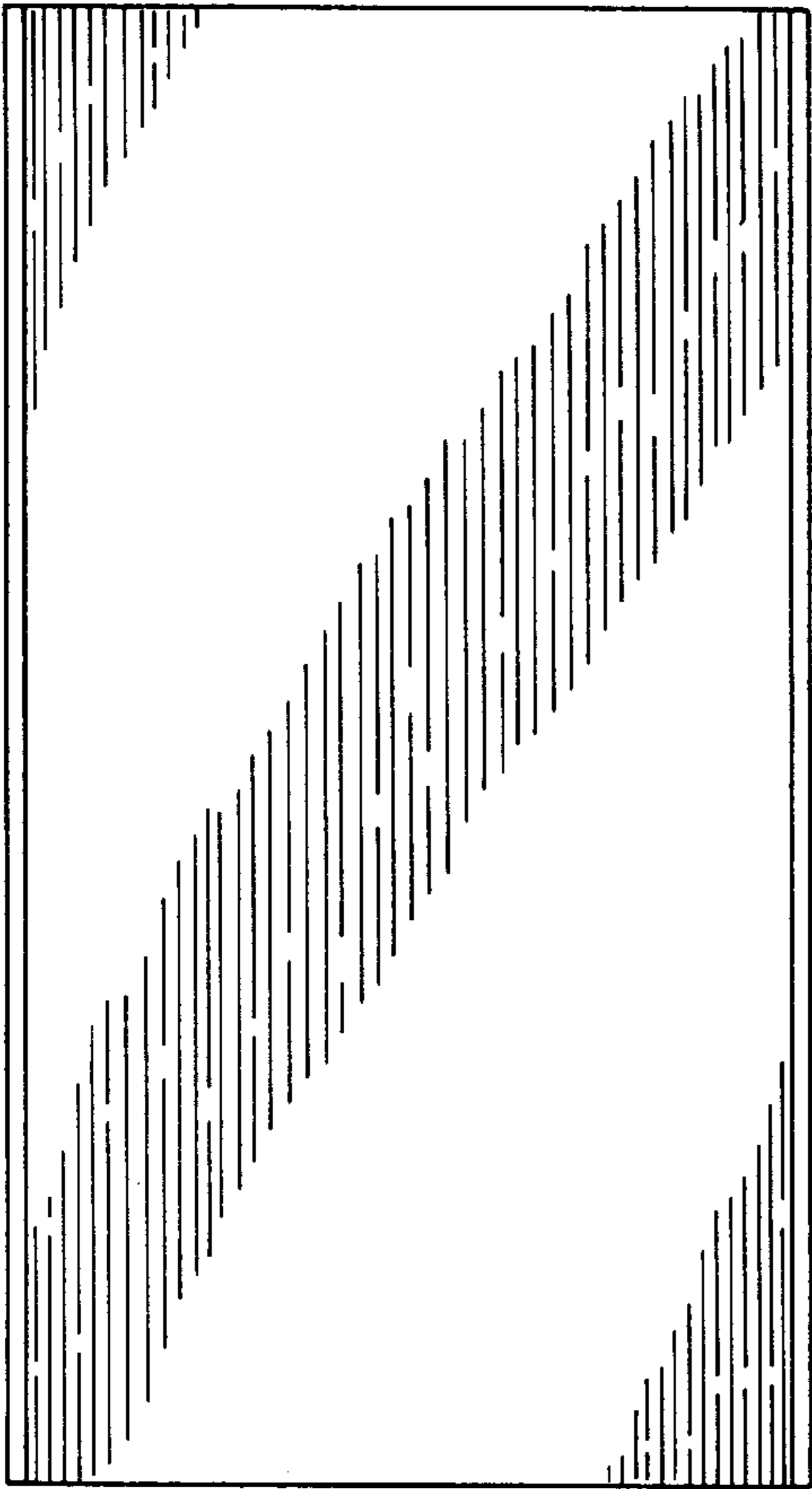


FIG. 15

