



US00D412711S

United States Patent [19] Bruns

[11] **Patent Number: Des. 412,711**
[45] **Date of Patent: ** Aug. 10, 1999**

[54] **PRESS WHEEL**
[75] Inventor: **Mark W. Bruns**, Hutchinson, Minn.
[73] Assignee: **May-Wes Manufacturing, Inc.**,
Hutchinson, Minn.
[**] Term: **14 Years**
[21] Appl. No.: **29/085,263**
[22] Filed: **Mar. 19, 1998**

D. 322,791	12/1991	Wada et al.	D15/17
1,847,327	3/1932	Bateman	111/195
4,009,668	3/1977	Brass et al.	111/137
4,055,126	10/1977	Brown et al.	111/85
4,070,974	1/1978	Stacy, Jr.	111/169
4,278,036	7/1981	Buchele	111/52
4,377,979	3/1983	Peterson et al.	111/52
5,375,542	12/1994	Schaffert	111/192
5,398,625	3/1995	Johnson et al.	111/189
5,497,717	3/1996	Martin	111/191

Related U.S. Application Data

[62] Division of application No. 29/069,044, Mar. 18, 1997, Pat. No. Des. 395,662.

[51] **LOC (6) Cl.** **15-03**
[52] **U.S. Cl.** **D15/29**
[58] **Field of Search** D15/10, 11, 28,
D15/29; 111/191, 192, 193, 163; 172/540,
557

Primary Examiner—Sandra L. Morris

[57] CLAIM

The ornamental design for a press wheel, as shown and described.

DESCRIPTION

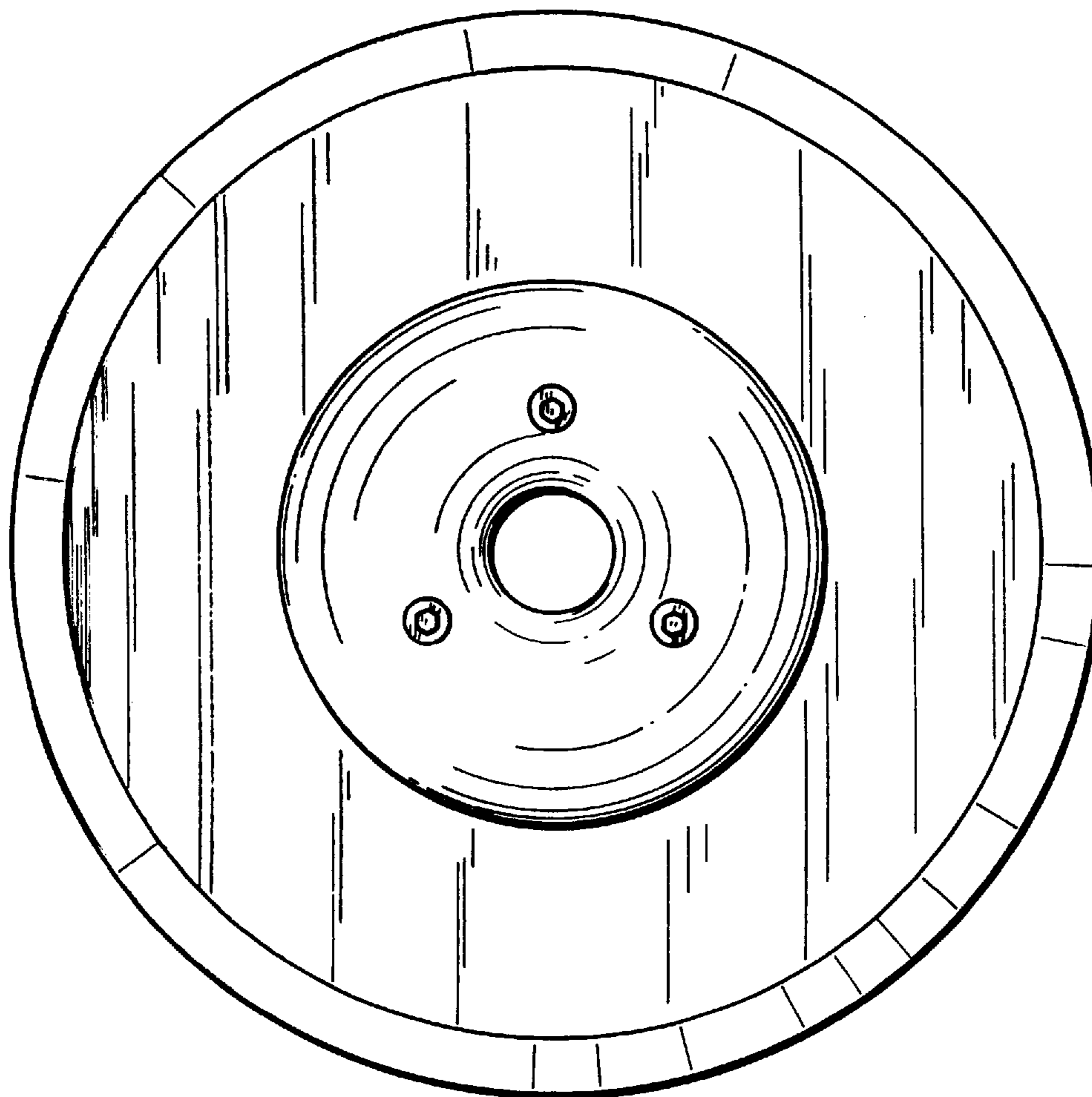
FIG. 1 is a front elevational view of the press wheel showing my new design;
FIG. 2 is a side elevational view thereof, the opposite side being a mirror image thereof;
FIG. 3 is a bottom plan view thereof, the top plan view being a mirror image thereof; and,
FIG. 4 is a rear elevational view thereof.

[56] References Cited

U.S. PATENT DOCUMENTS

D. 138,712 9/1944 Karl D15/29

1 Claim, 2 Drawing Sheets



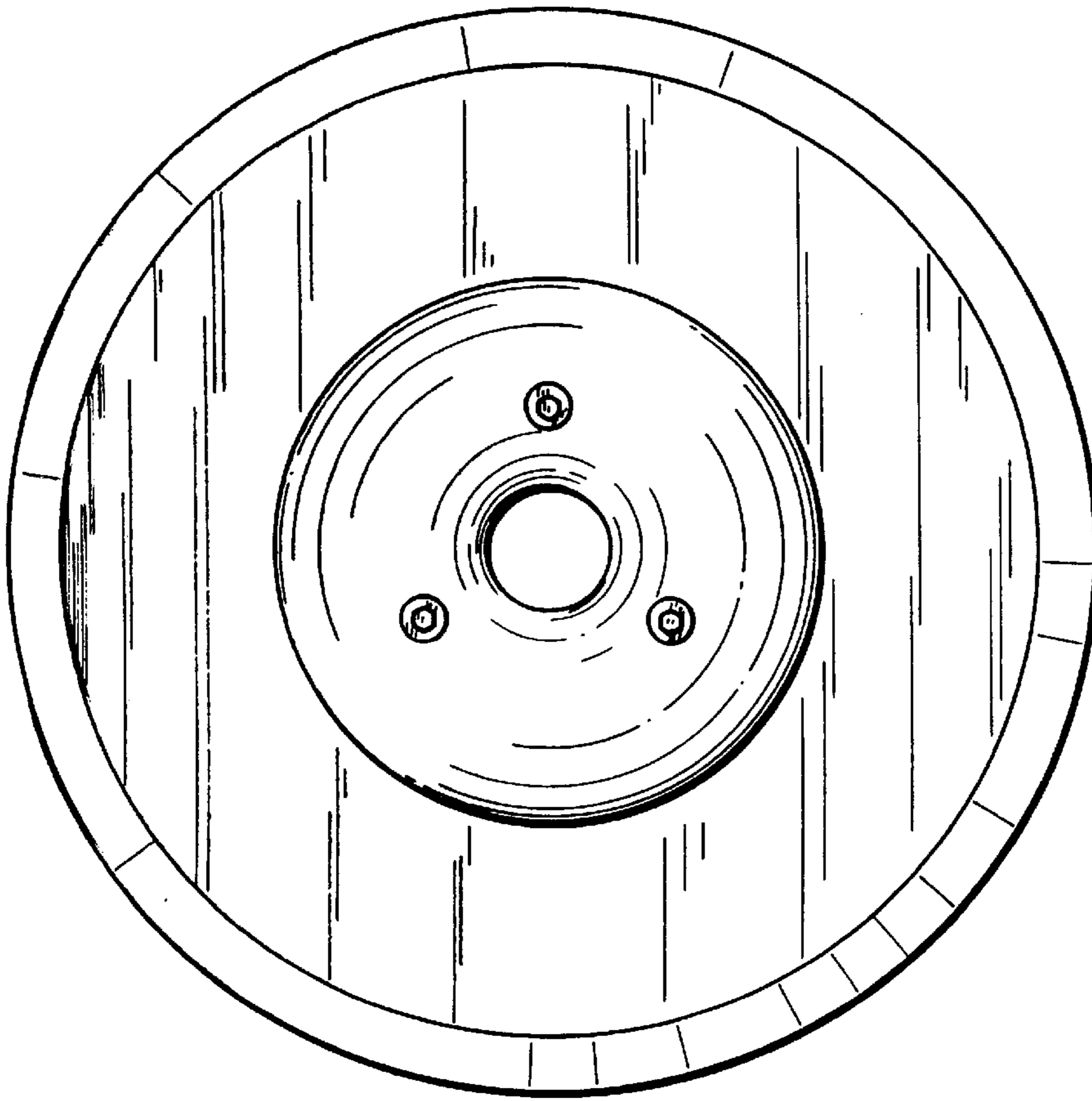


FIG. 1

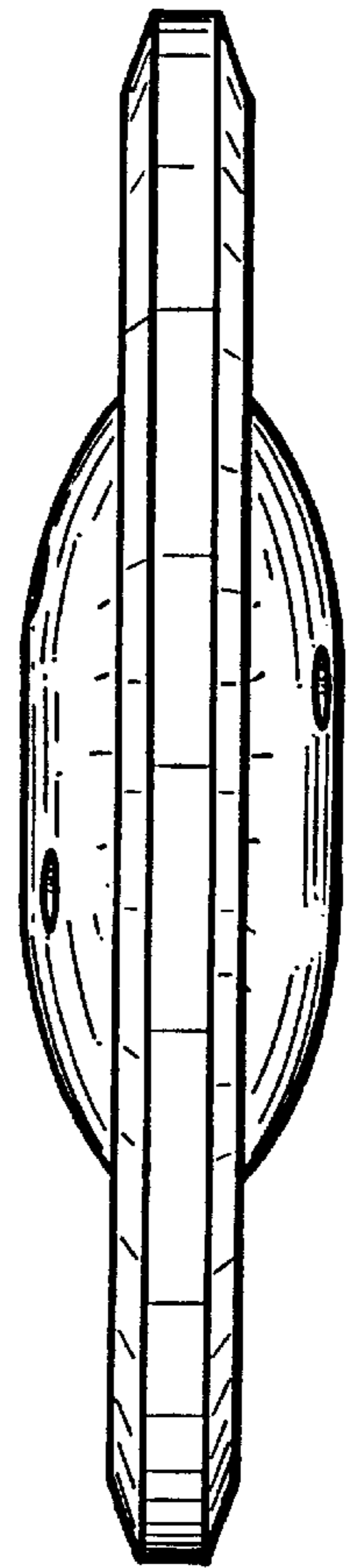


FIG. 2

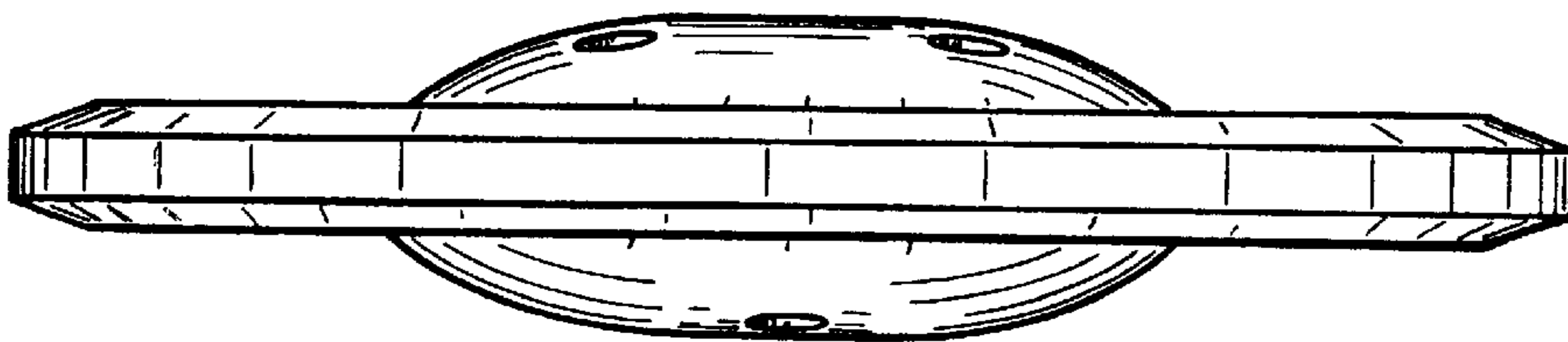


FIG. 3

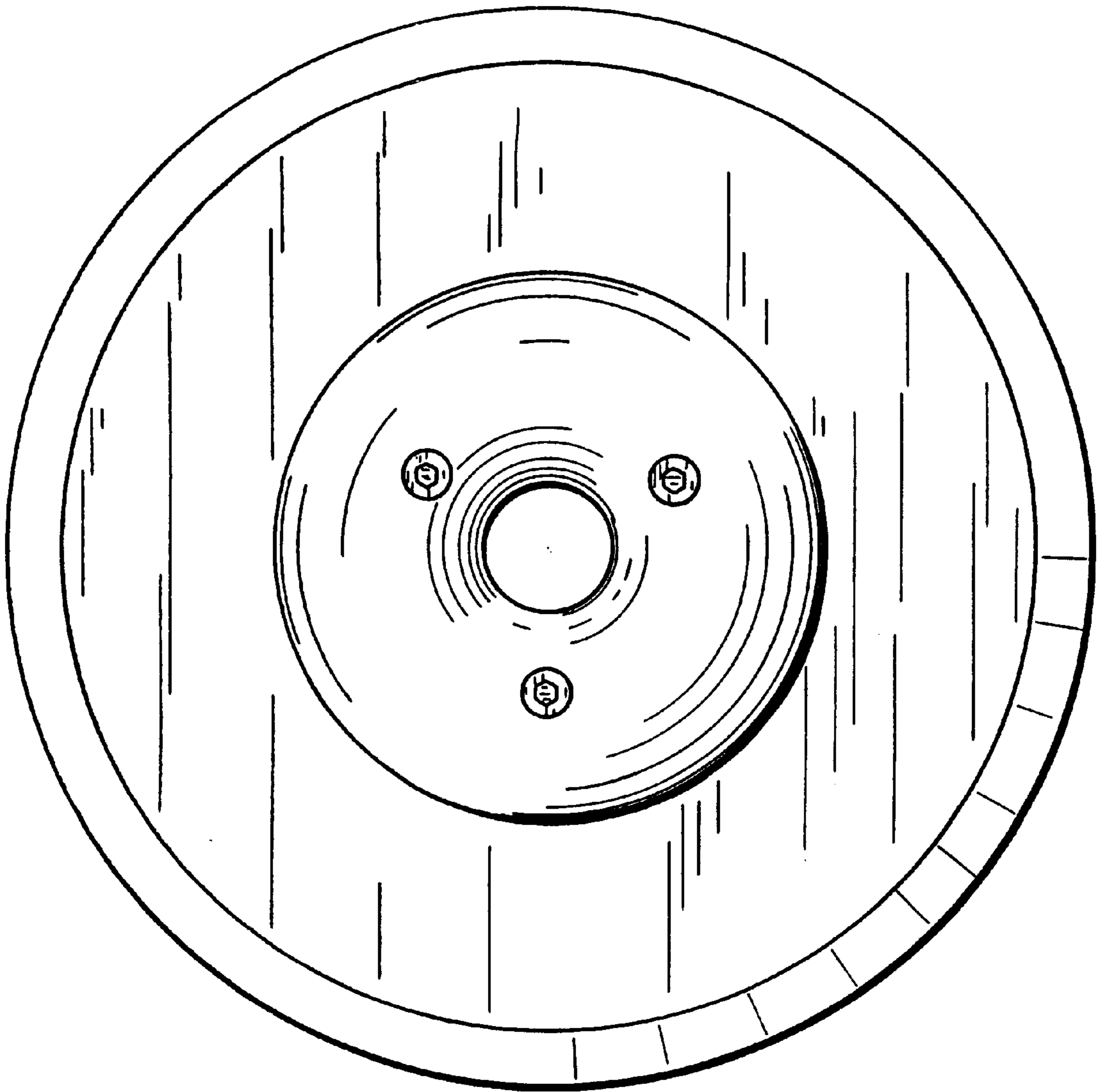


FIG. 4