



US00D412702S

# United States Patent [19] Goto

[11] Patent Number: Des. 412,702

[45] Date of Patent: \*\* Aug. 10, 1999

[54] **COMBINED CONNECTOR AND BATTERY CHARGER FOR A COMPUTER**

[75] Inventor: Teiyu Goto, Tokyo, Japan

[73] Assignee: Sony Corporation, Tokyo, Japan

[\*\*] Term: 14 Years

[21] Appl. No.: 29/079,810

[22] Filed: Nov. 19, 1997

[30] **Foreign Application Priority Data**

May 29, 1997 [JP] Japan ..... 9-55849

[51] LOC (6) Cl. .... 14-02

[52] U.S. Cl. .... D14/114

[58] Field of Search ..... D14/100, 107,  
D14/109, 114; D13/107-9, 184, 199; 200/5 R,  
5 A, 6 R, 6 A; 361/631-6, 680-1, 686;  
364/708.1; 439/248, 347

[56] **References Cited**

**U.S. PATENT DOCUMENTS**

|            |         |                 |       |         |
|------------|---------|-----------------|-------|---------|
| D. 332,091 | 12/1992 | Iino            | ..... | D14/107 |
| D. 342,487 | 12/1993 | Iino            | ..... | D14/107 |
| D. 350,536 | 9/1994  | McKnight et al. | ..... | D14/114 |
| D. 359,034 | 6/1995  | Kondo           | ..... | D14/107 |
| D. 362,243 | 9/1995  | Spechts et al.  | ..... | D14/114 |
| D. 389,819 | 1/1998  | Yamazaki        | ..... | D14/107 |
| D. 391,931 | 3/1998  | Iino            | ..... | D14/107 |
| D. 394,247 | 5/1998  | Kondo           | ..... | D14/107 |
| D. 395,425 | 6/1998  | Sugita          | ..... | D14/114 |
| D. 400,851 | 11/1998 | Culver          | ..... | D13/107 |

**OTHER PUBLICATIONS**

Catalog: Digital HiNote VP 500 Series, Japan Degital Equipment Co., Ltd. (Sep. 16, 1996).

Catalog: Winky High Performacne PC, Sanyo electric Co., Ltd. (Mar. 1997).

Catalog: WinBook Bird, SOTEC Co., Ltd. (Apr. 1997).

Primary Examiner—M. H. Tung  
Attorney, Agent, or Firm—Foley & Lardner

[57] **CLAIM**

The ornamental design for a combined connector and battery charger for a computer, as shown and described.

**DESCRIPTION**

FIG. 1 is a perspective view of a first embodiment of a combined connector and battery charger for a computer showing my new design;

FIG. 2 is a top plan view thereof;

FIG. 3 is a left side elevational view thereof, a right side elevational view thereof being a mirror image;

FIG. 4 is a front elevational view thereof;

FIG. 5 is a bottom plan view thereof;

FIG. 6 is a rear elevational view thereof;

FIG. 7 is a perspective view thereof, the broken line drawing of a computer is for illustrative purposes only and forms no part of the claimed design;

FIG. 8 is a perspective view of a second embodiment of a combined connector and battery charger for a computer showing my new design;

FIG. 9 is a top plan view thereof;

FIG. 10 is a left side elevational view thereof;

FIG. 11 is a front elevational view thereof;

FIG. 12 is a bottom plan view thereof;

FIG. 13 is a right side elevational view thereof;

FIG. 14 is a rear elevational view thereof; and,

FIG. 15 is a perspective view thereof, the broken line drawing of a computer is for illustrative purposes only and forms no part of the claimed design.

The ornamentation shown in broken lines on the front surface in FIGS. 8 and 11 is for illustrative purposes only and forms no part of the claimed design.

**1 Claim, 10 Drawing Sheets**

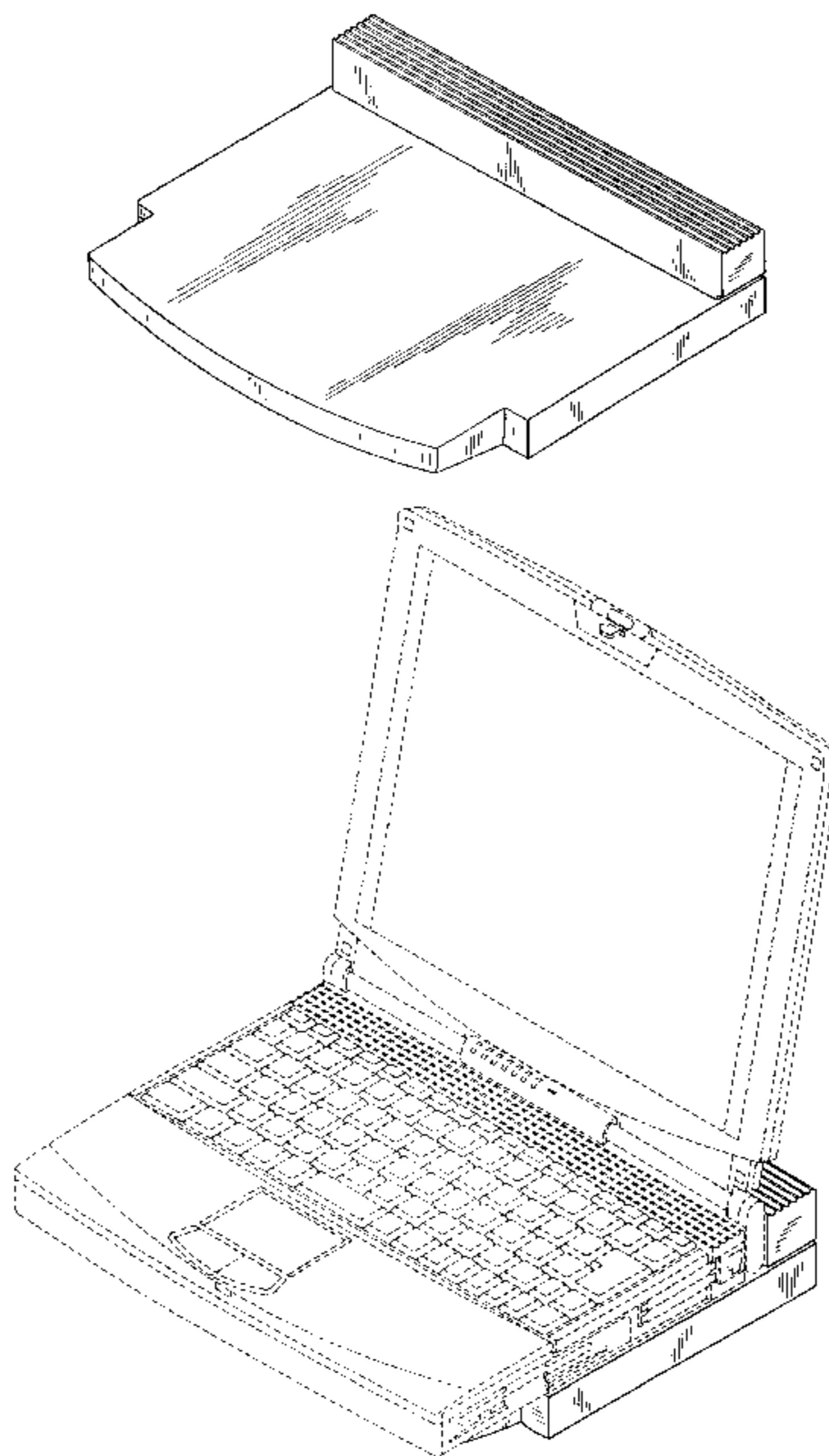


FIG. 1

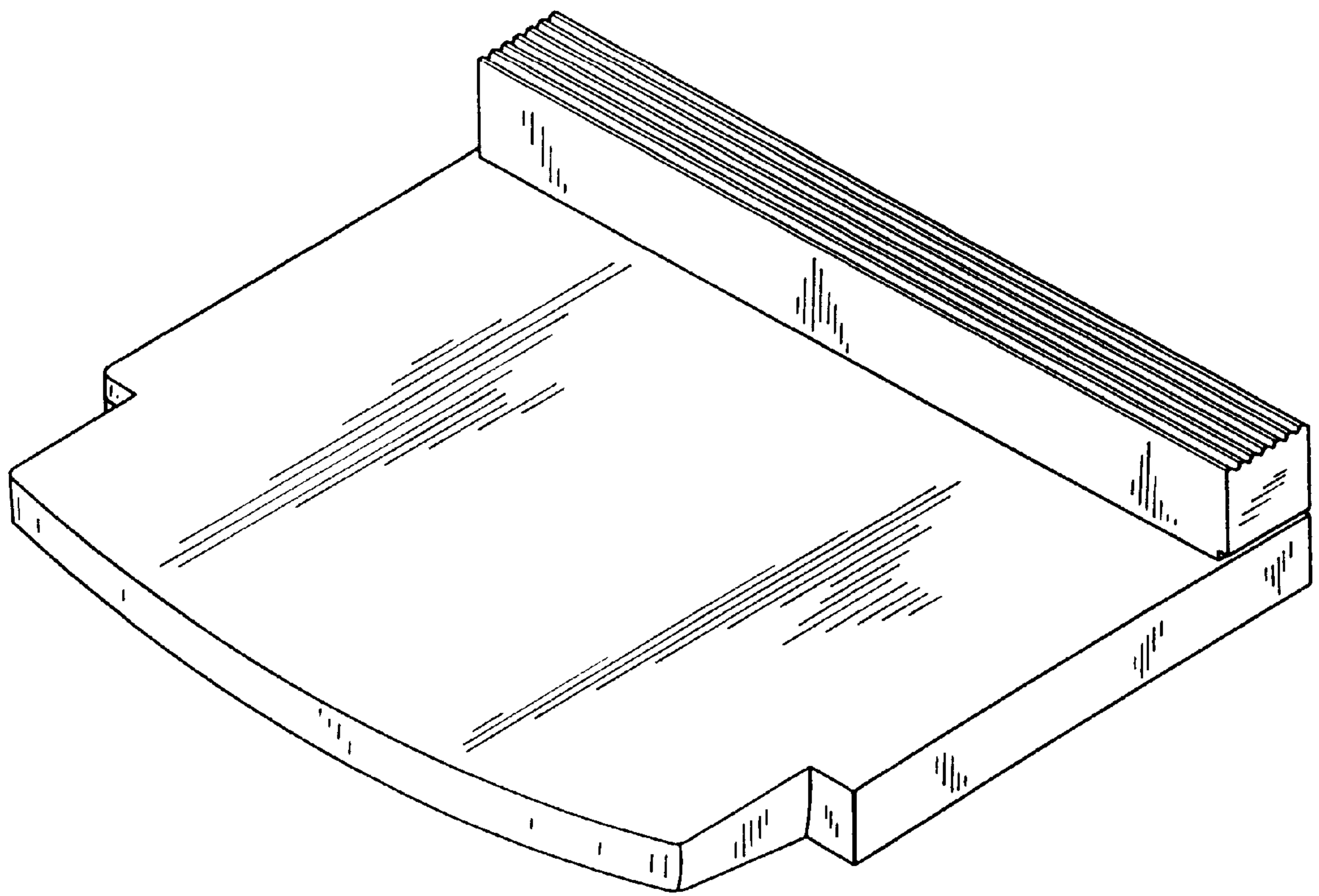


FIG.2

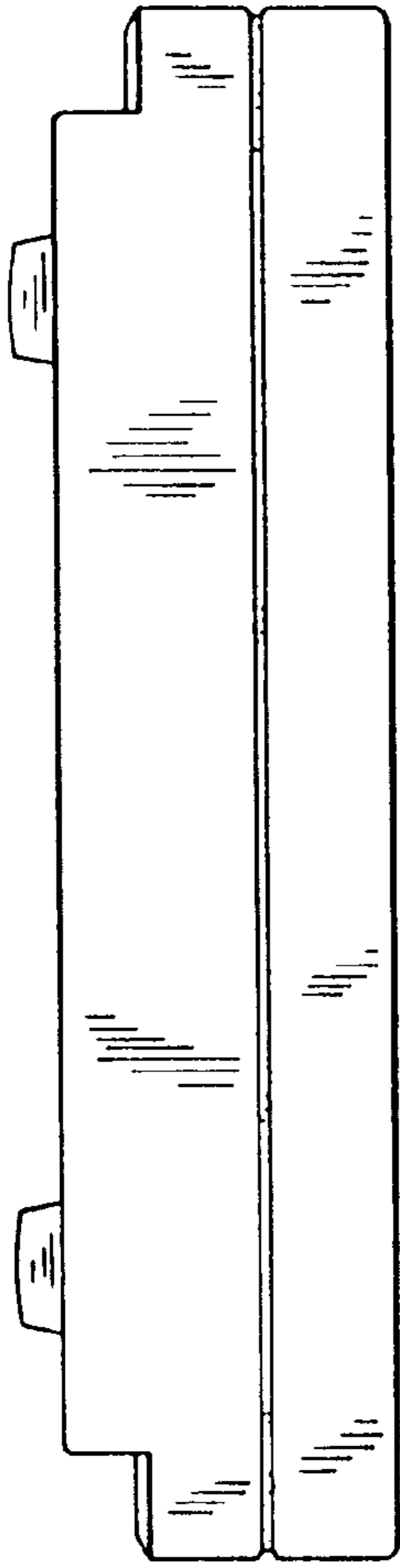


FIG.5

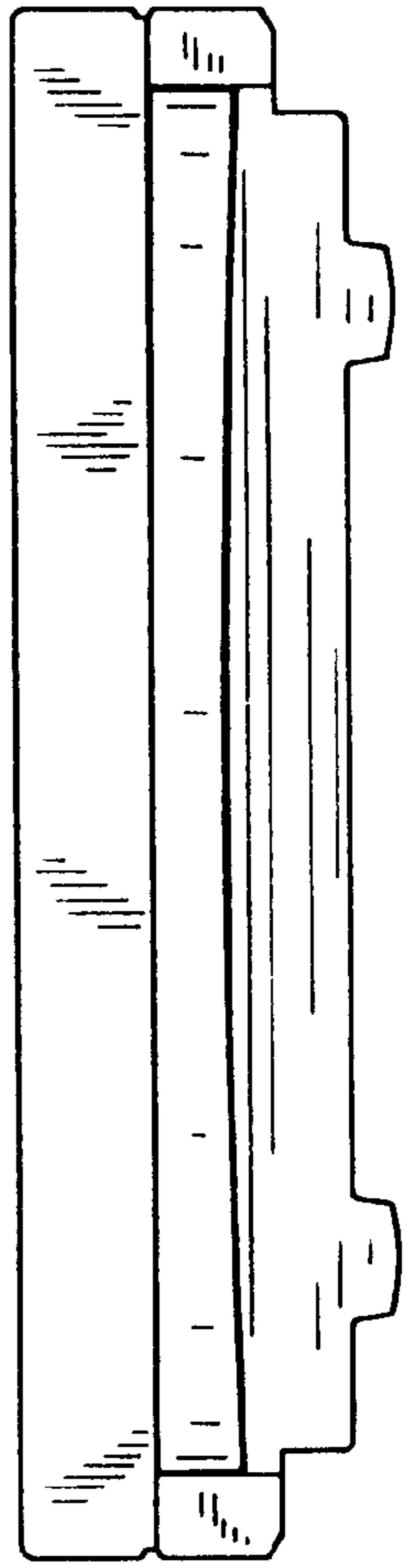


FIG.4

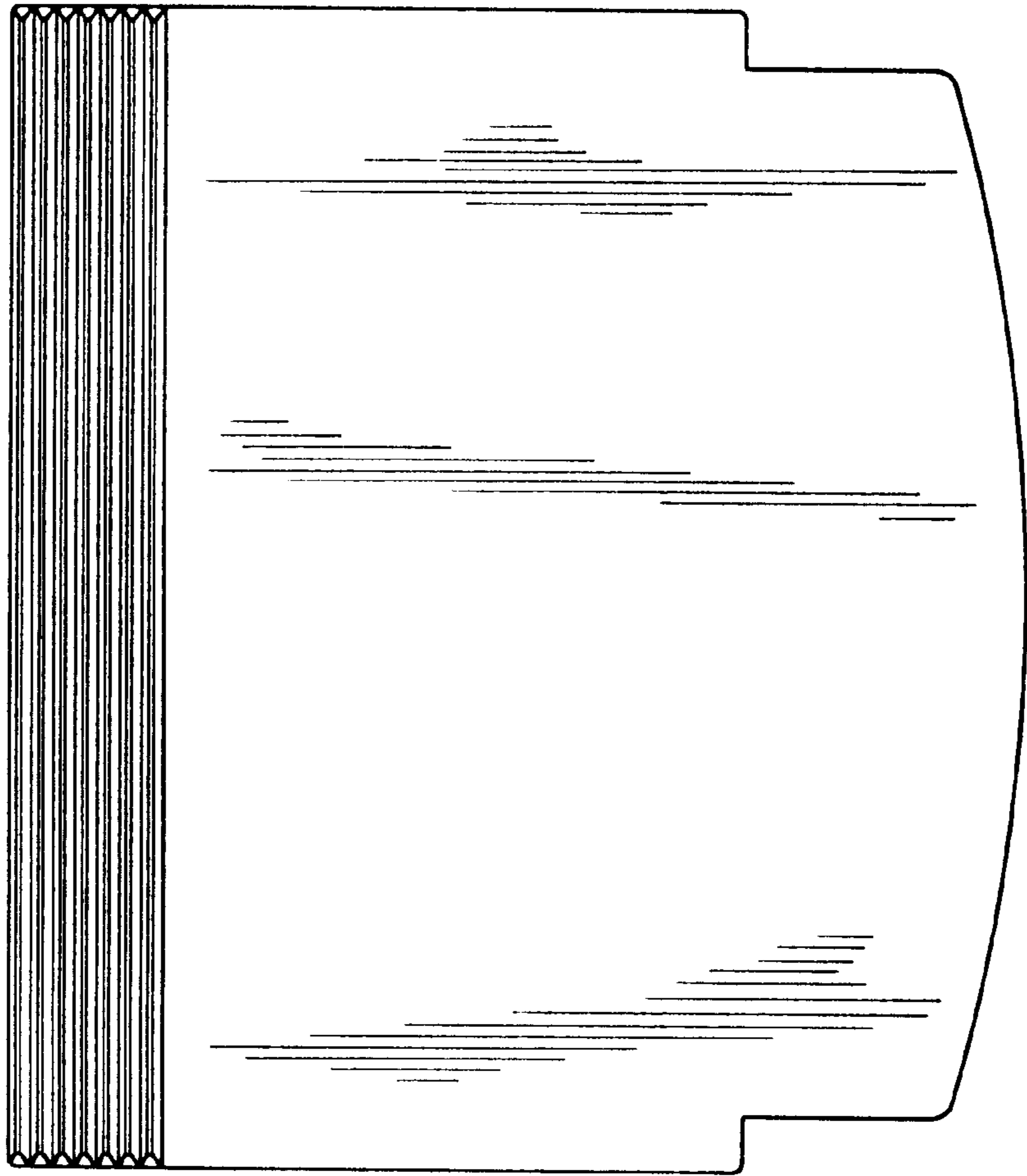


FIG.3

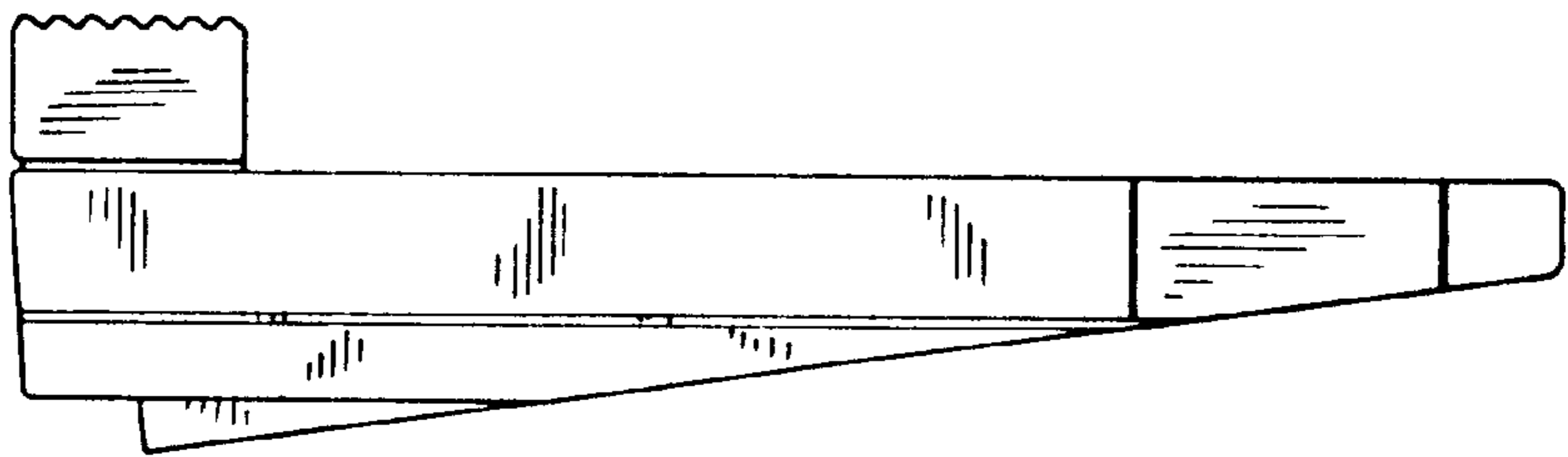


FIG. 6

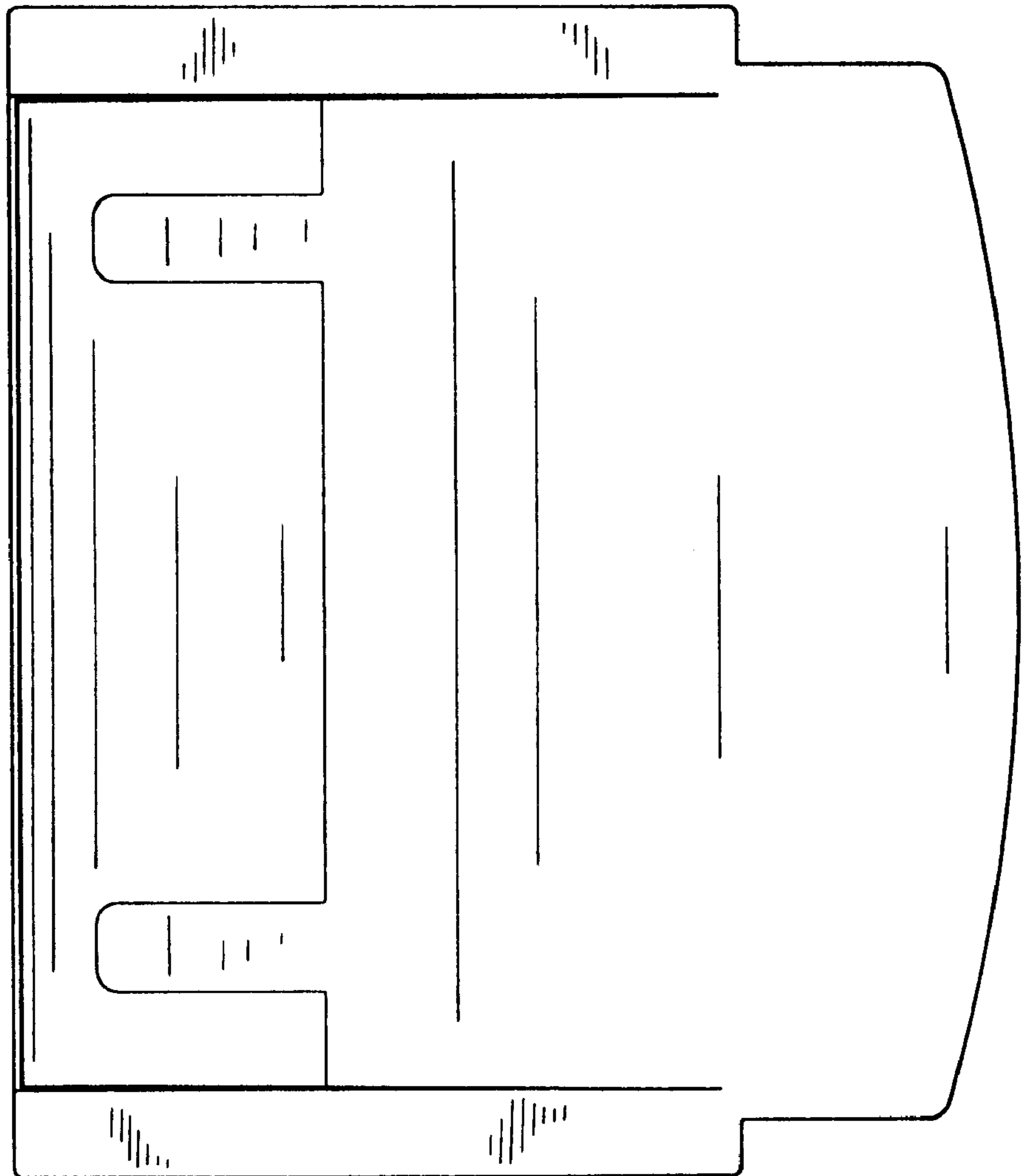


FIG. 7

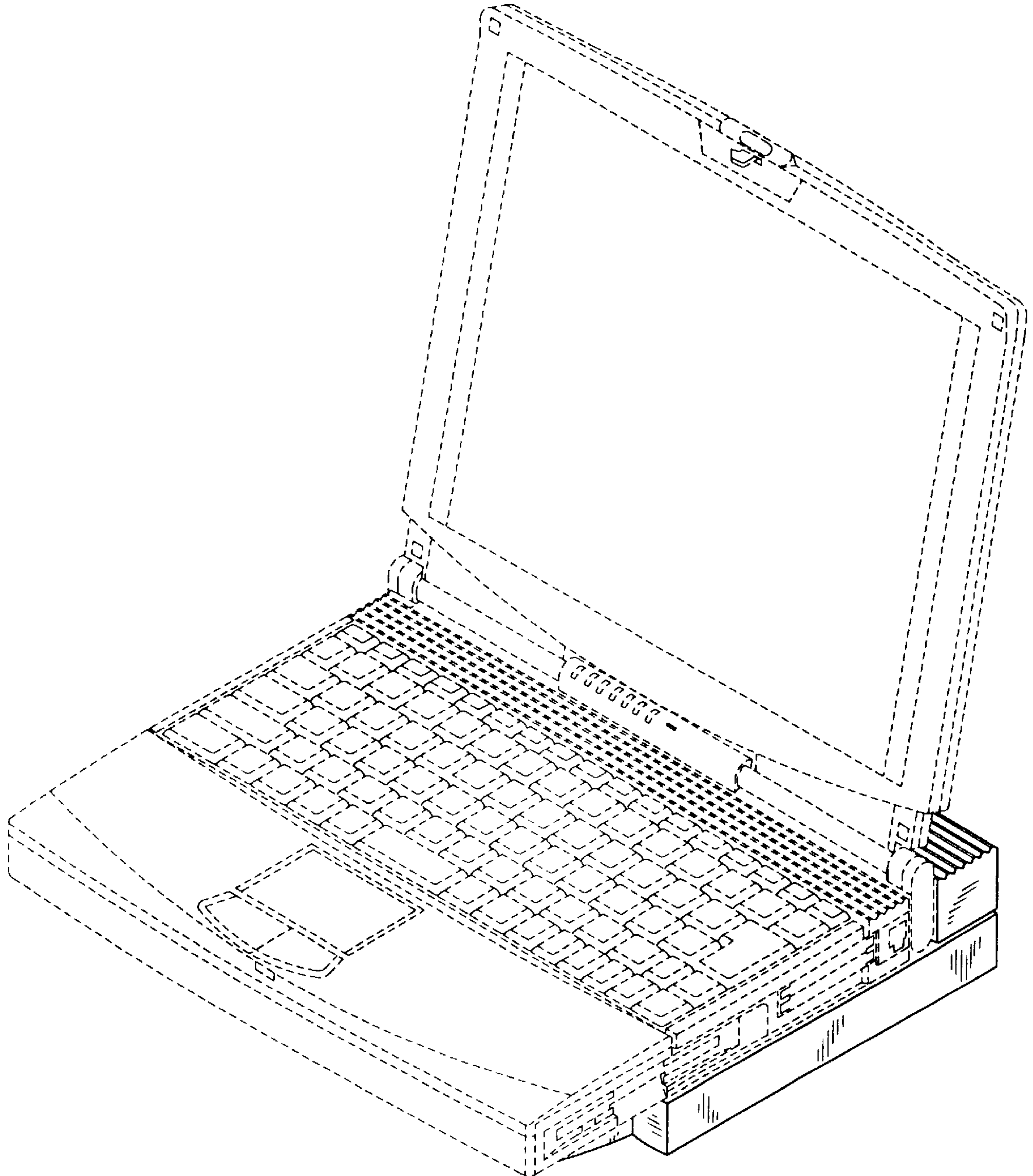


FIG.8

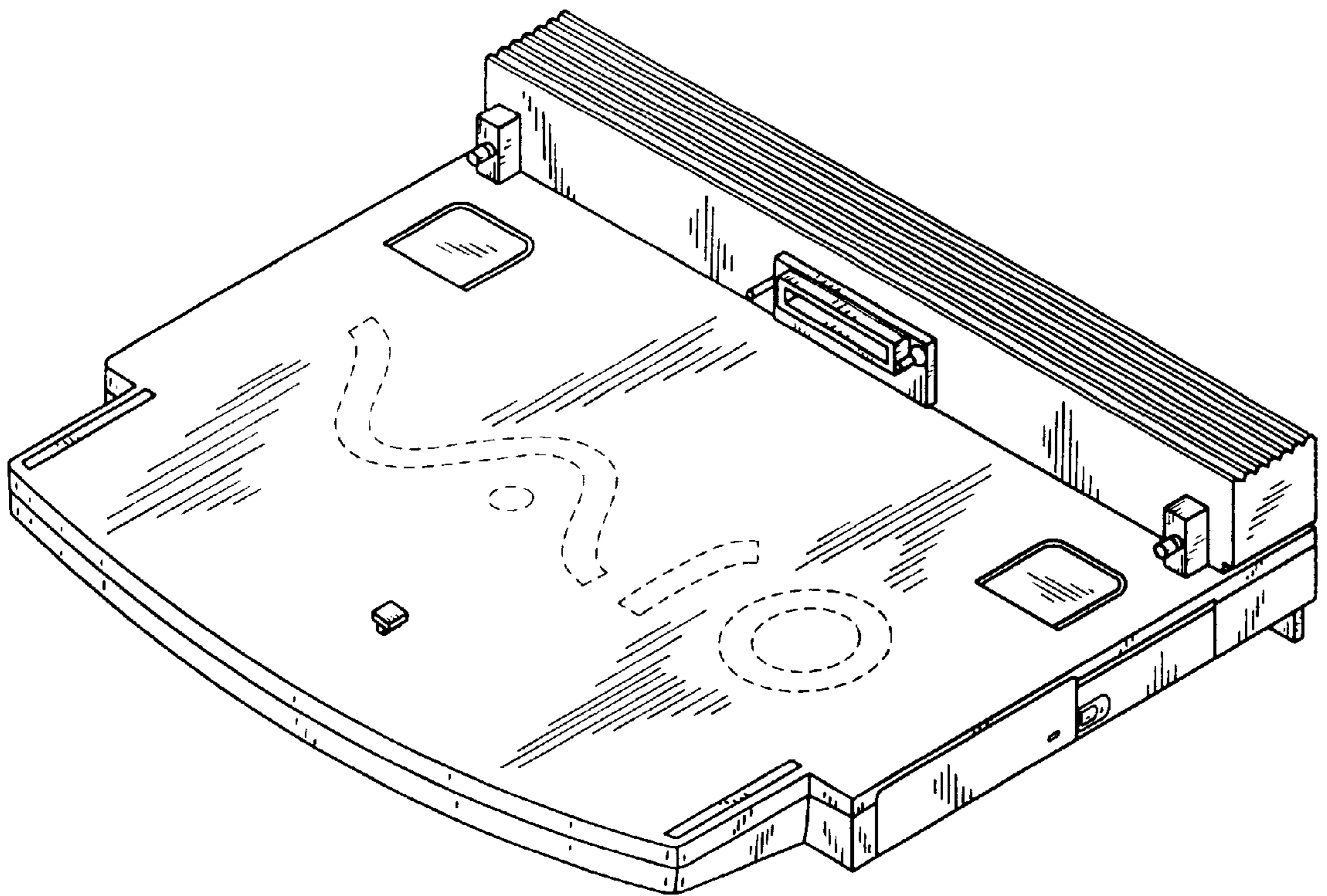


FIG.9

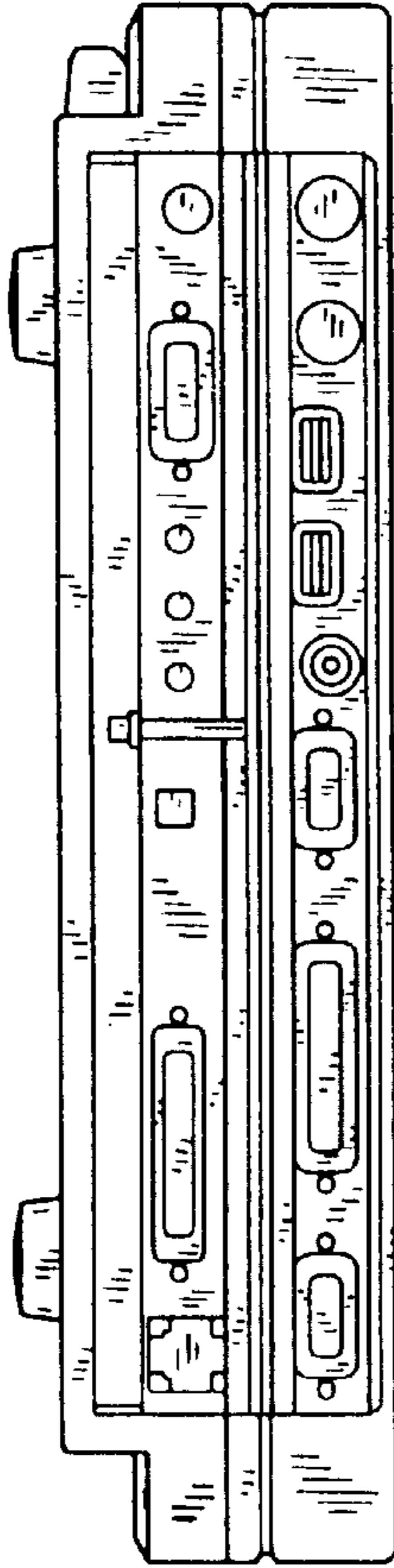


FIG.12

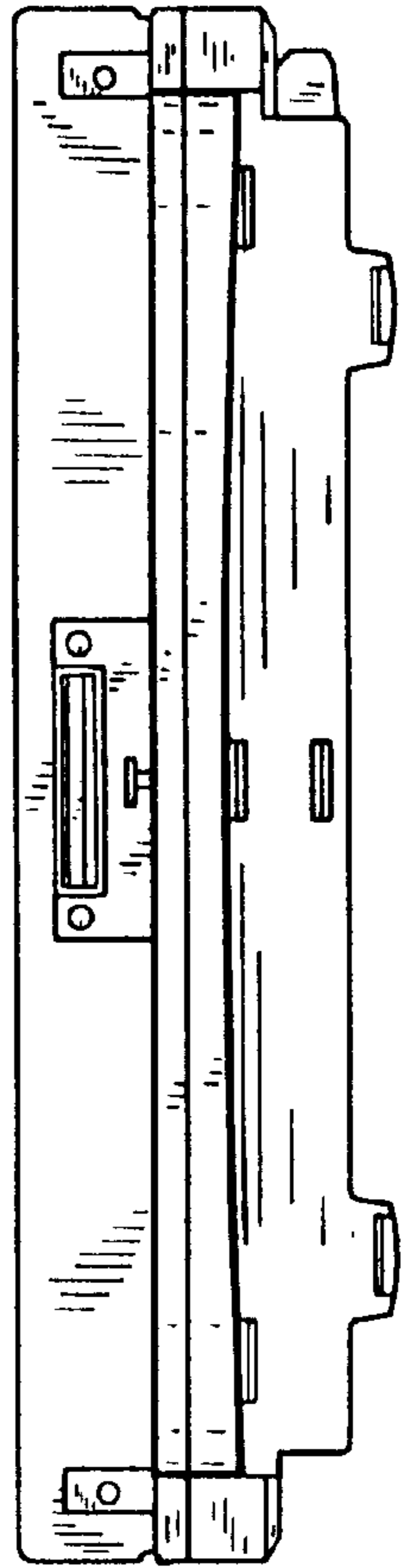




FIG.13

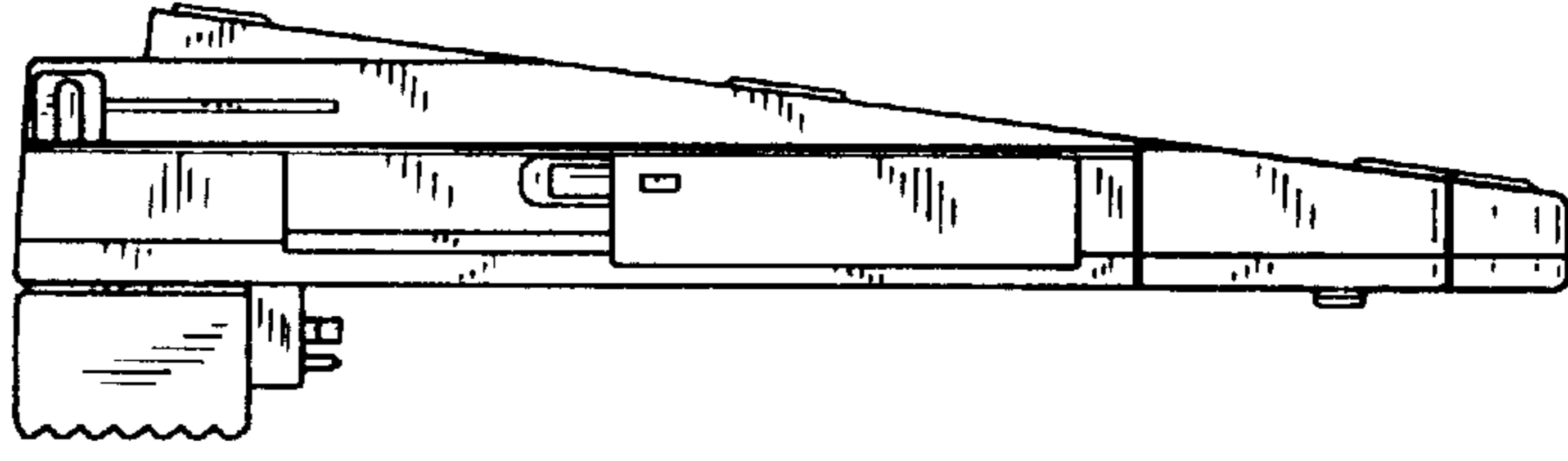


FIG.11

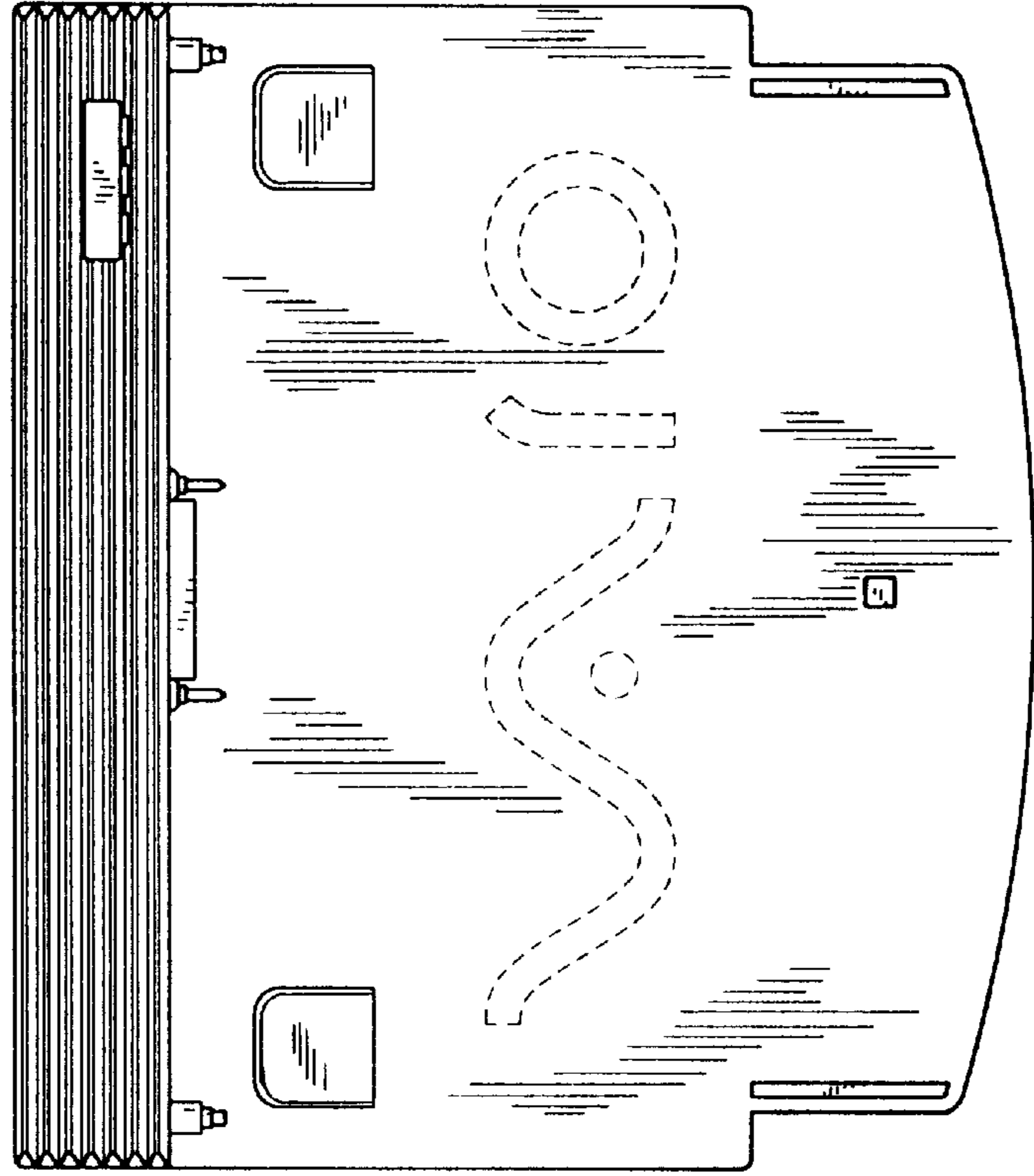


FIG.10

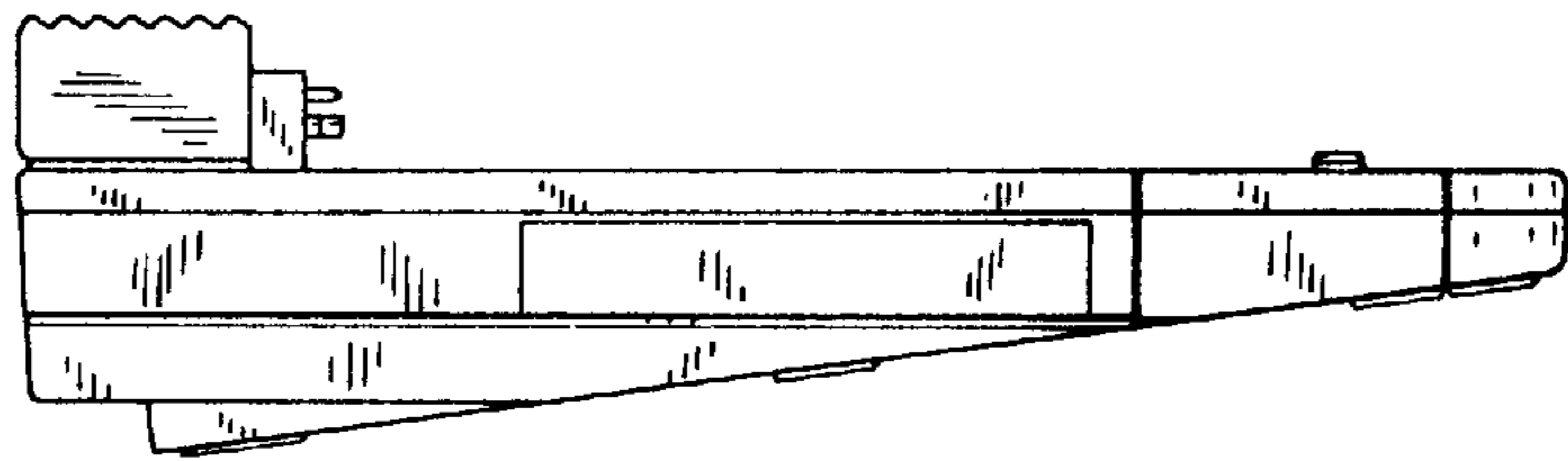


FIG.14

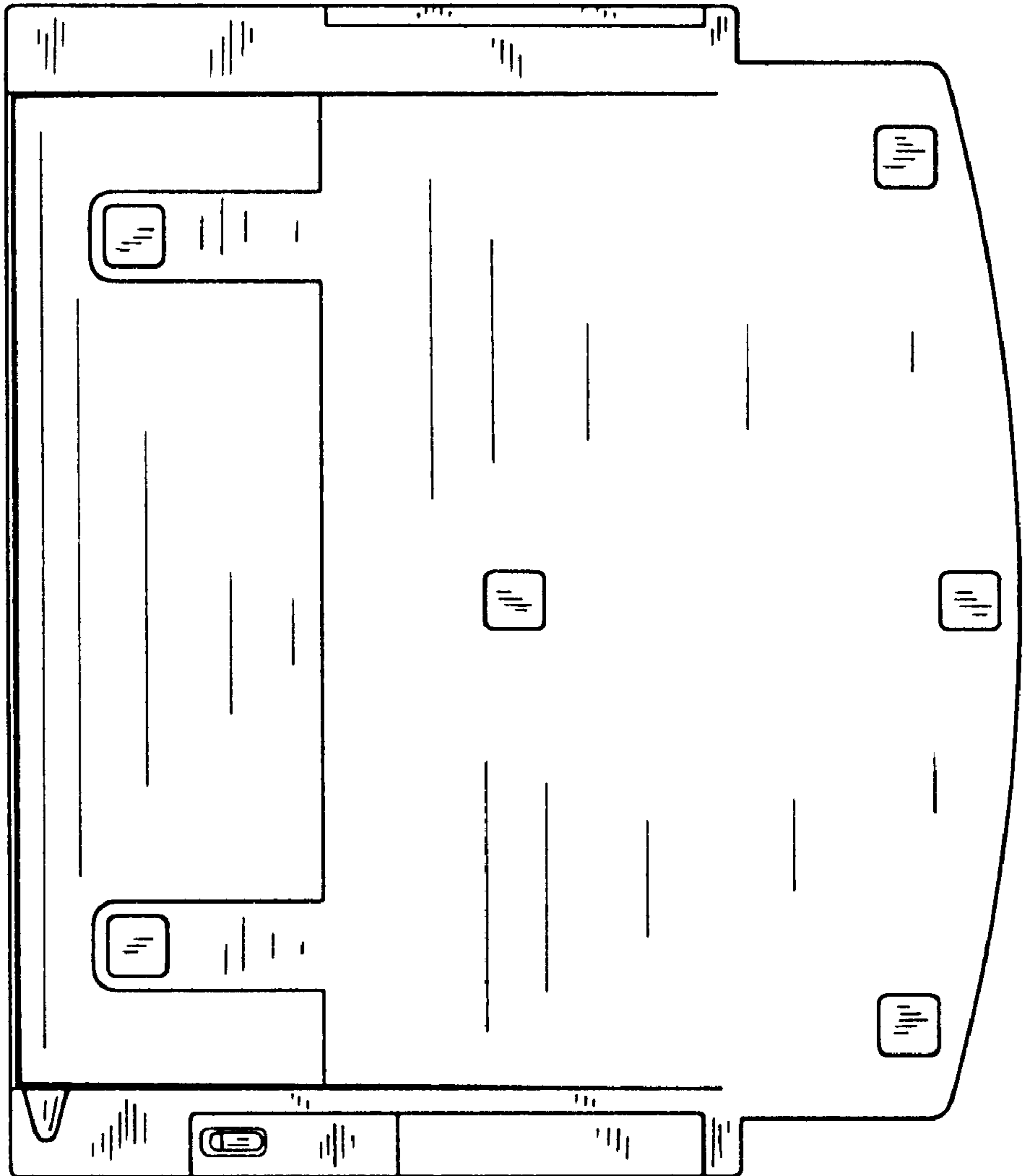


FIG. 15

