



US00D412701S

# United States Patent [19] Cantu

[11] **Patent Number: Des. 412,701**

[45] **Date of Patent: \*\* Aug. 10, 1999**

[54] **HAND HELD PHOSPHOR SCREEN  
SCANNER**

[75] Inventor: **Gary Cantu**, Bozeman, Mont.

[73] Assignee: **PhorMax LLC**, Palo Alto, Calif.

[\*\*] Term: **14 Years**

[21] Appl. No.: **29/093,657**

[22] Filed: **Sep. 16, 1998**

[51] **LOC (6) Cl.** ..... **14-02**

[52] **U.S. Cl.** ..... **D14/107; D14/106**

[58] **Field of Search** ..... D14/100, 105,  
D14/107, 118; D18/36, 37, 39, 54; 235/454,  
470, 472, 476, 482; 250/556; 355/64, 65,  
75, 81; D19/60

[56] **References Cited**

**U.S. PATENT DOCUMENTS**

- D. 347,856 6/1994 Marfori et al. .... D19/60
- D. 348,654 7/1994 Branck et al. .... D14/100

- D. 352,500 11/1994 Hackleman ..... D14/100
- D. 371,120 6/1996 Kono et al. .... D14/107
- D. 396,704 8/1998 Chang et al. .... D14/107

*Primary Examiner*—Freda Nunn

*Attorney, Agent, or Firm*—Townsend&Townsend&Crew

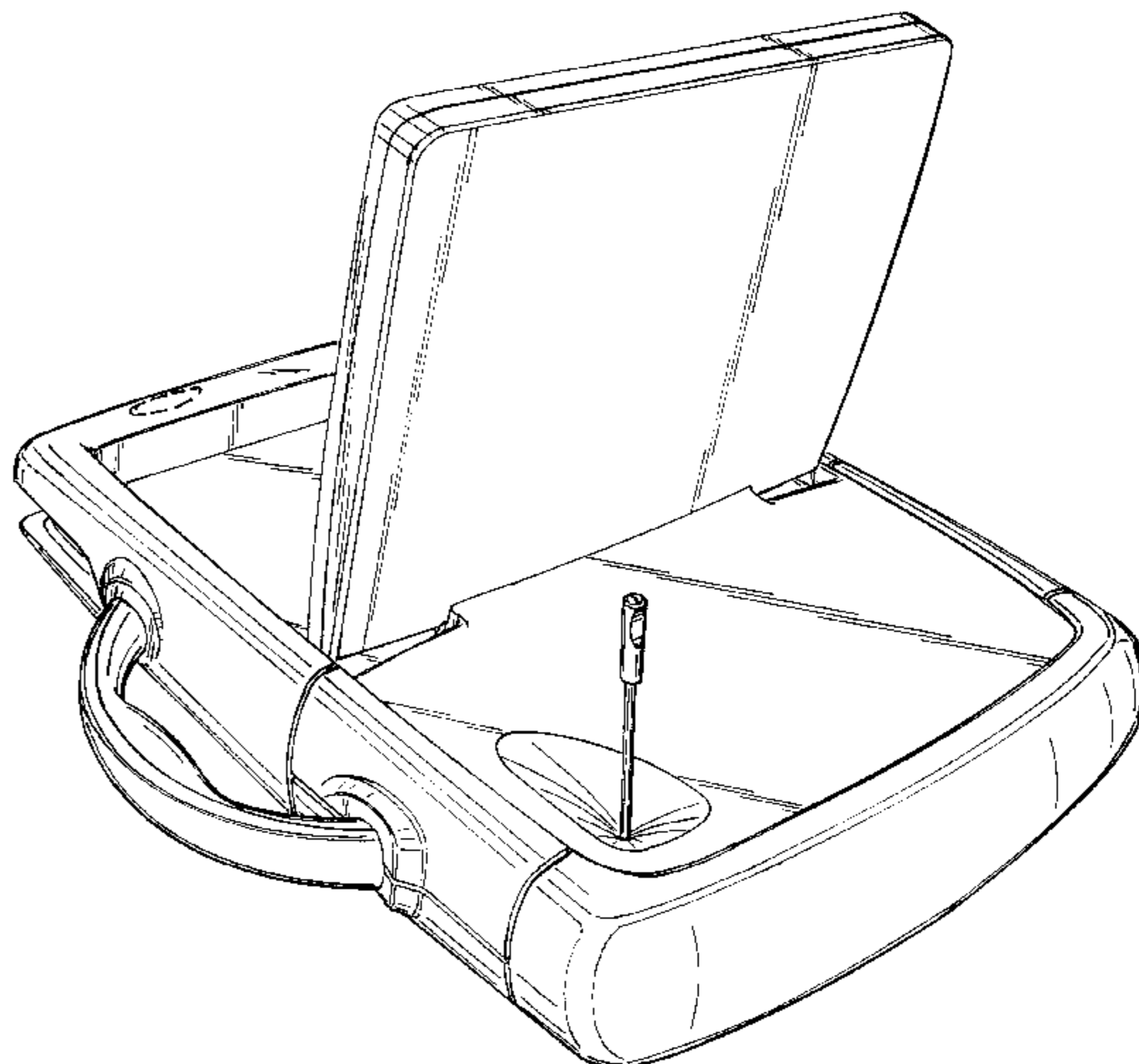
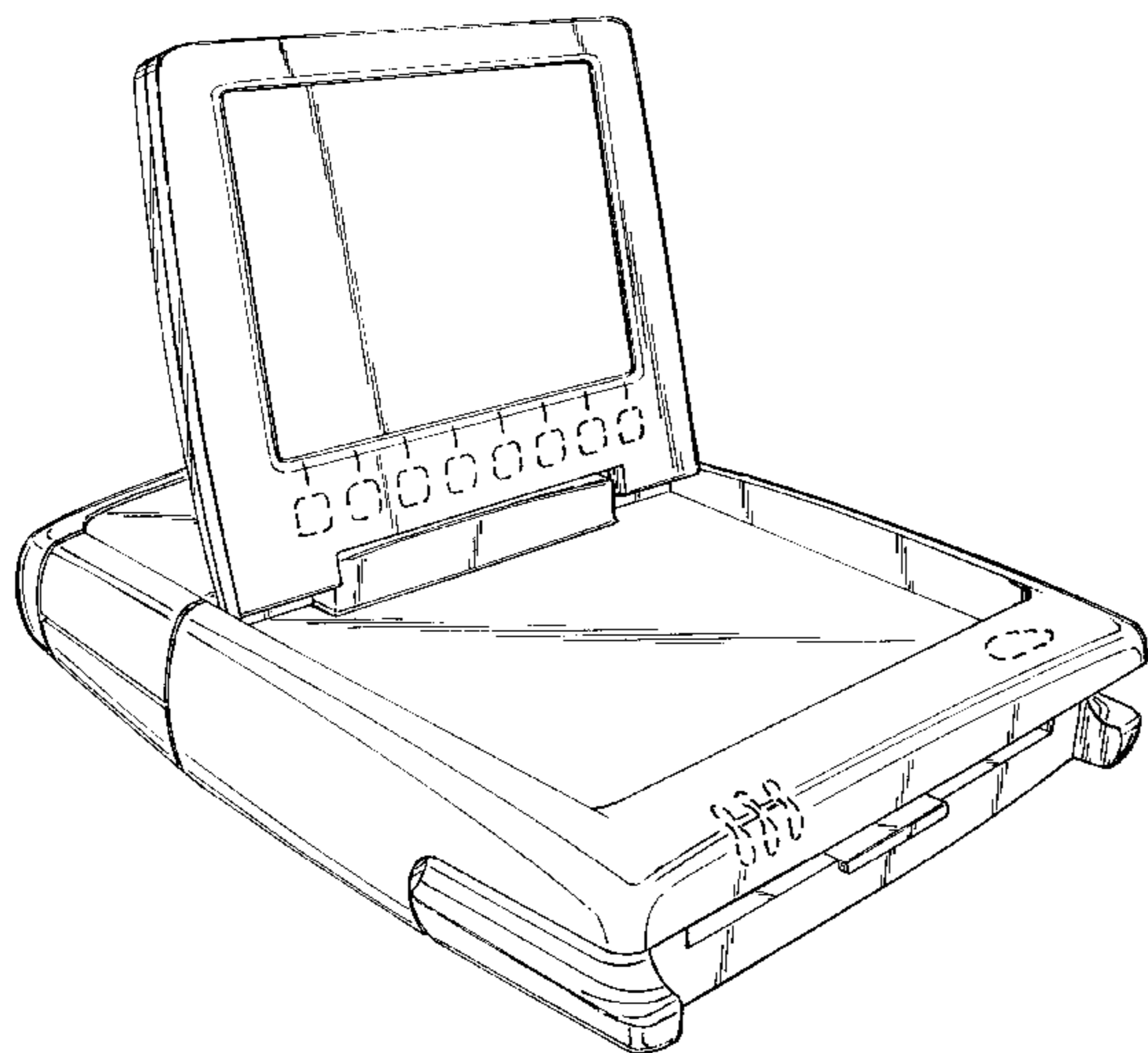
[57] **CLAIM**

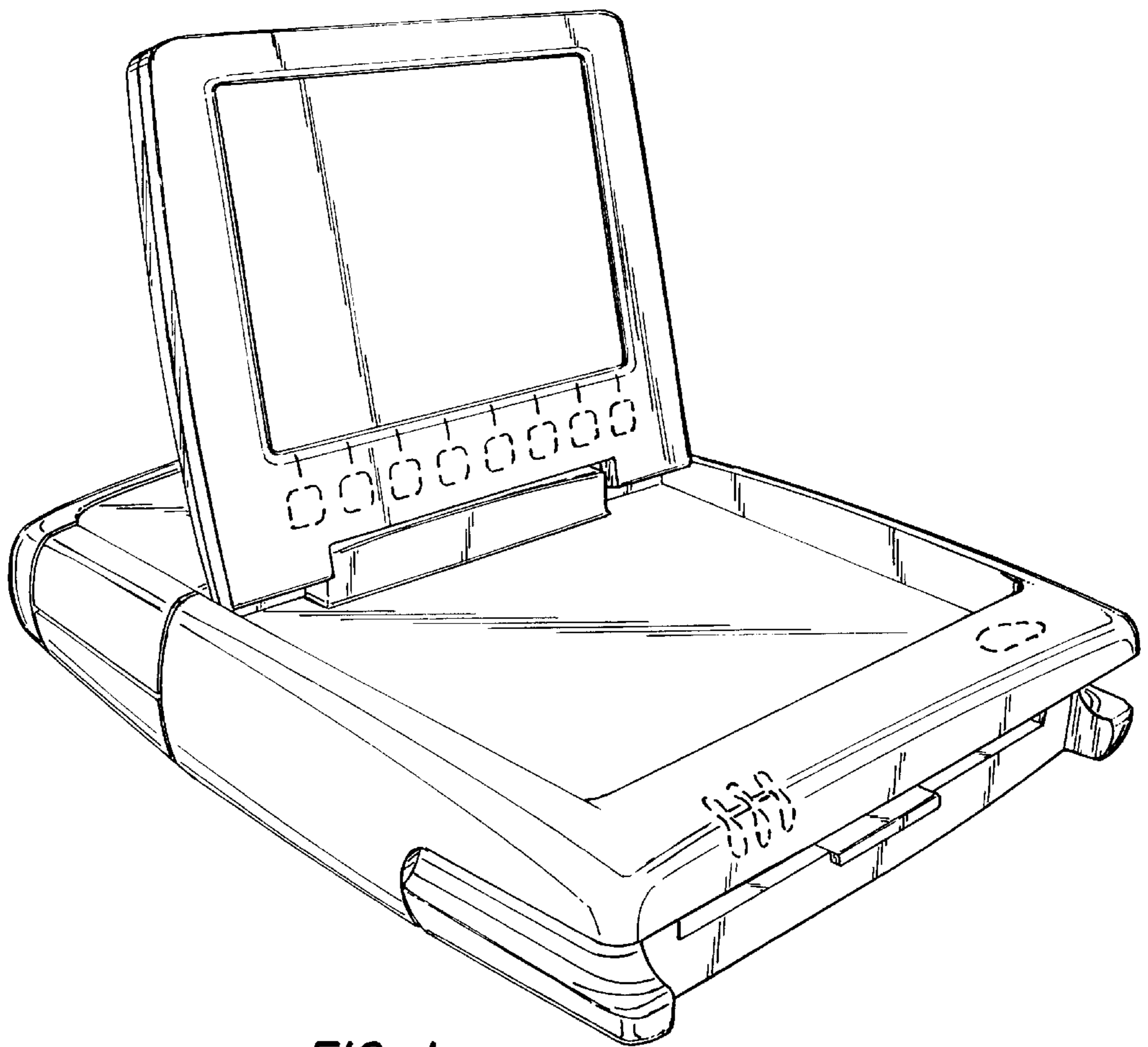
The ornamental design for a hand held phosphor screen scanner, as shown and described.

**DESCRIPTION**

FIG. 1 is a front perspective view of a phosphor screen scanner showing our new design;  
 FIG. 2 is a rear perspective view of the phosphor screen scanner;  
 FIG. 3 is a top plan view thereof;  
 FIG. 4 is a front elevational view thereof;  
 FIG. 5 is a side elevational view thereof; and,  
 FIG. 6 is a bottom plan view thereof.  
 The broken lines are shown in the views for illustrative purposes only and form no part of the claimed design.

**1 Claim, 6 Drawing Sheets**





*FIG. 1.*

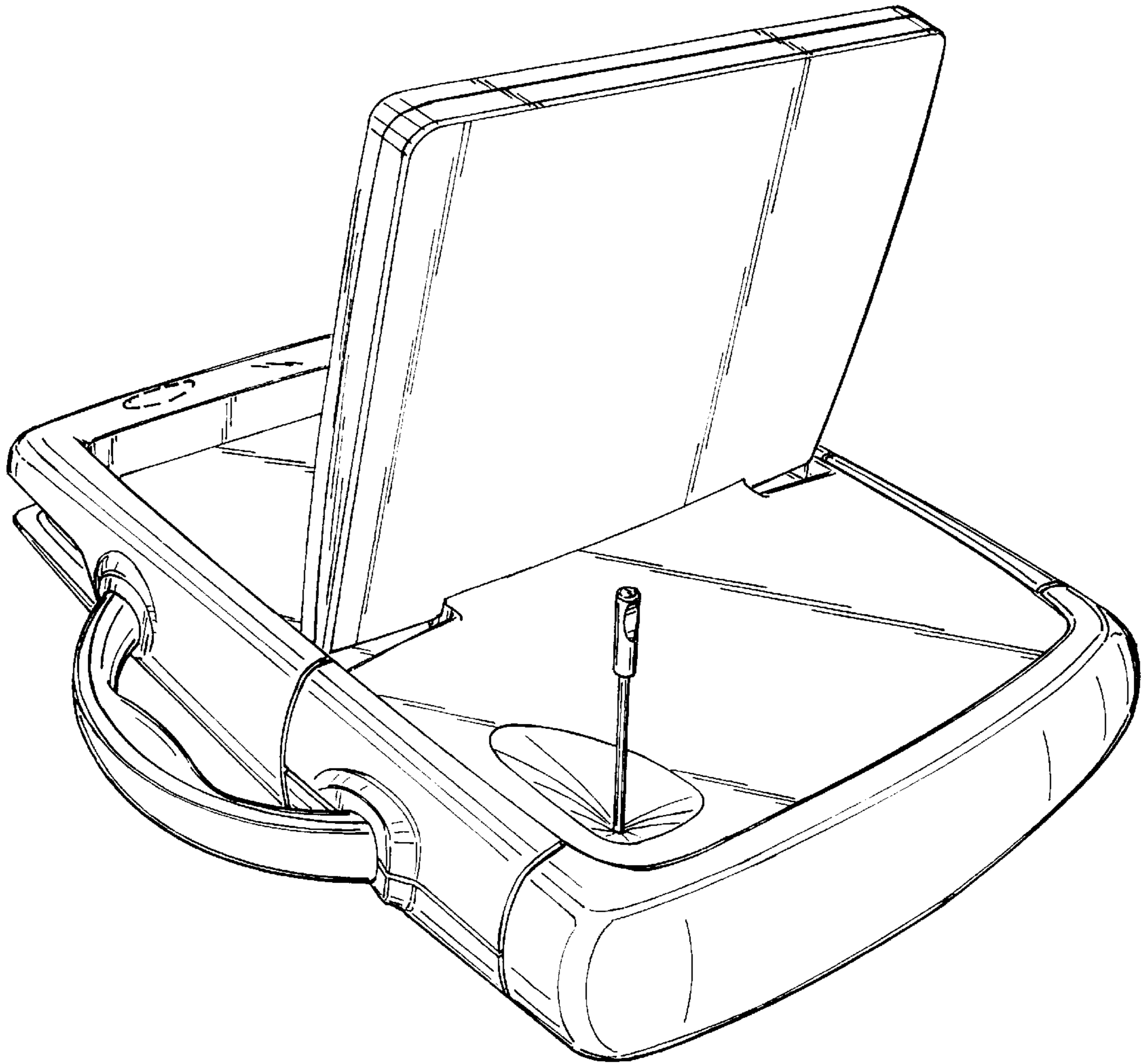


FIG. 2.

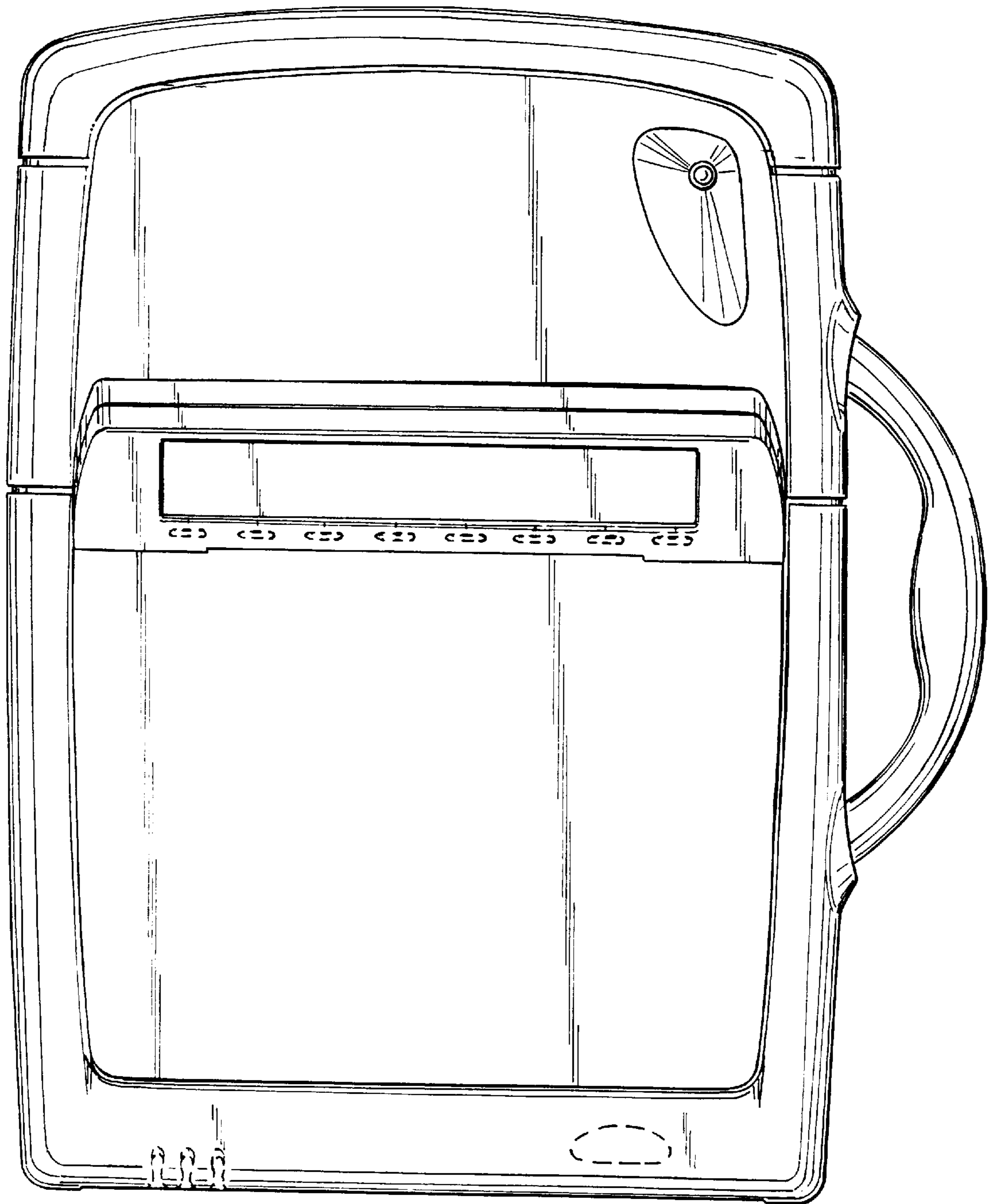


FIG. 3.

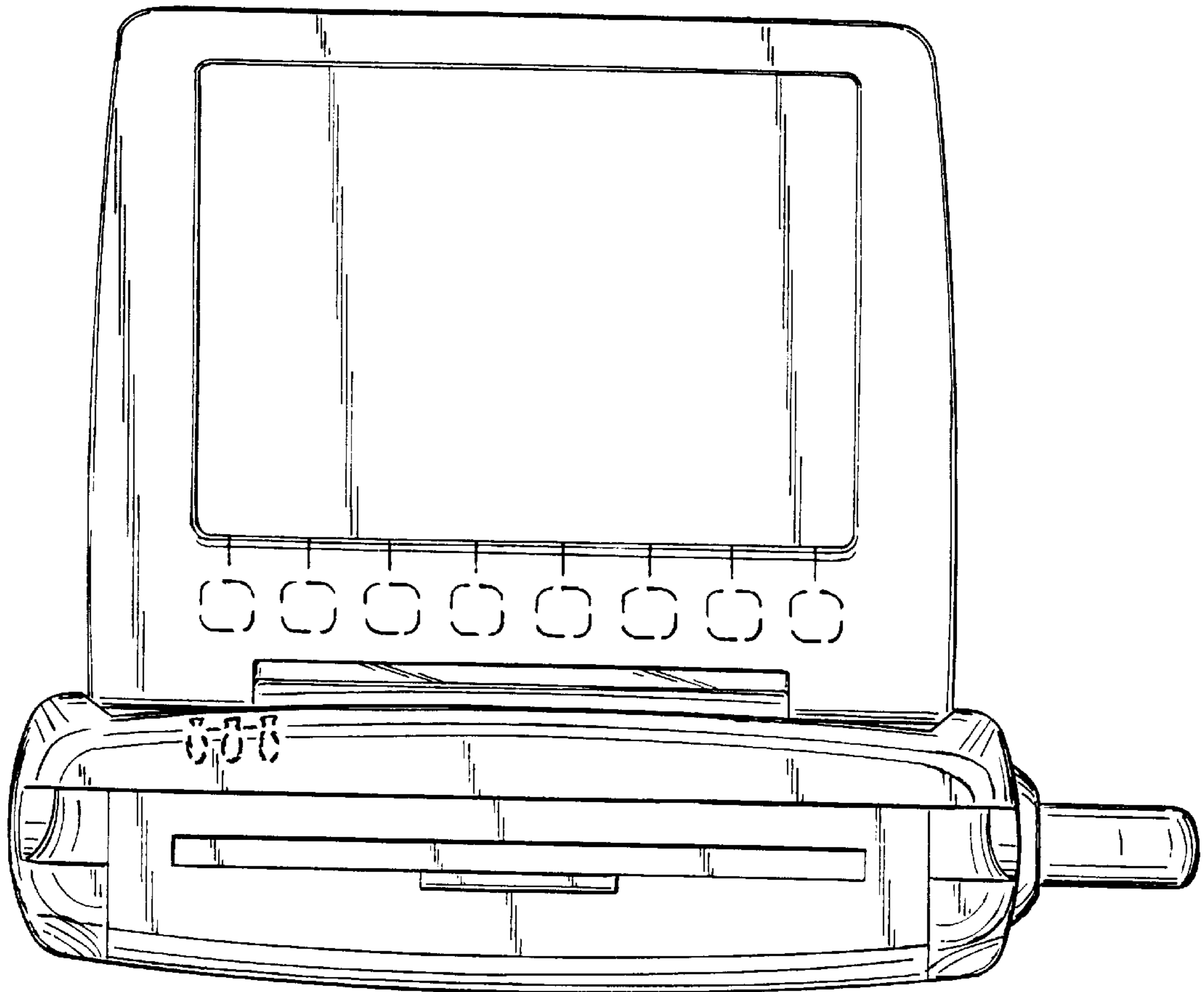


FIG. 4.

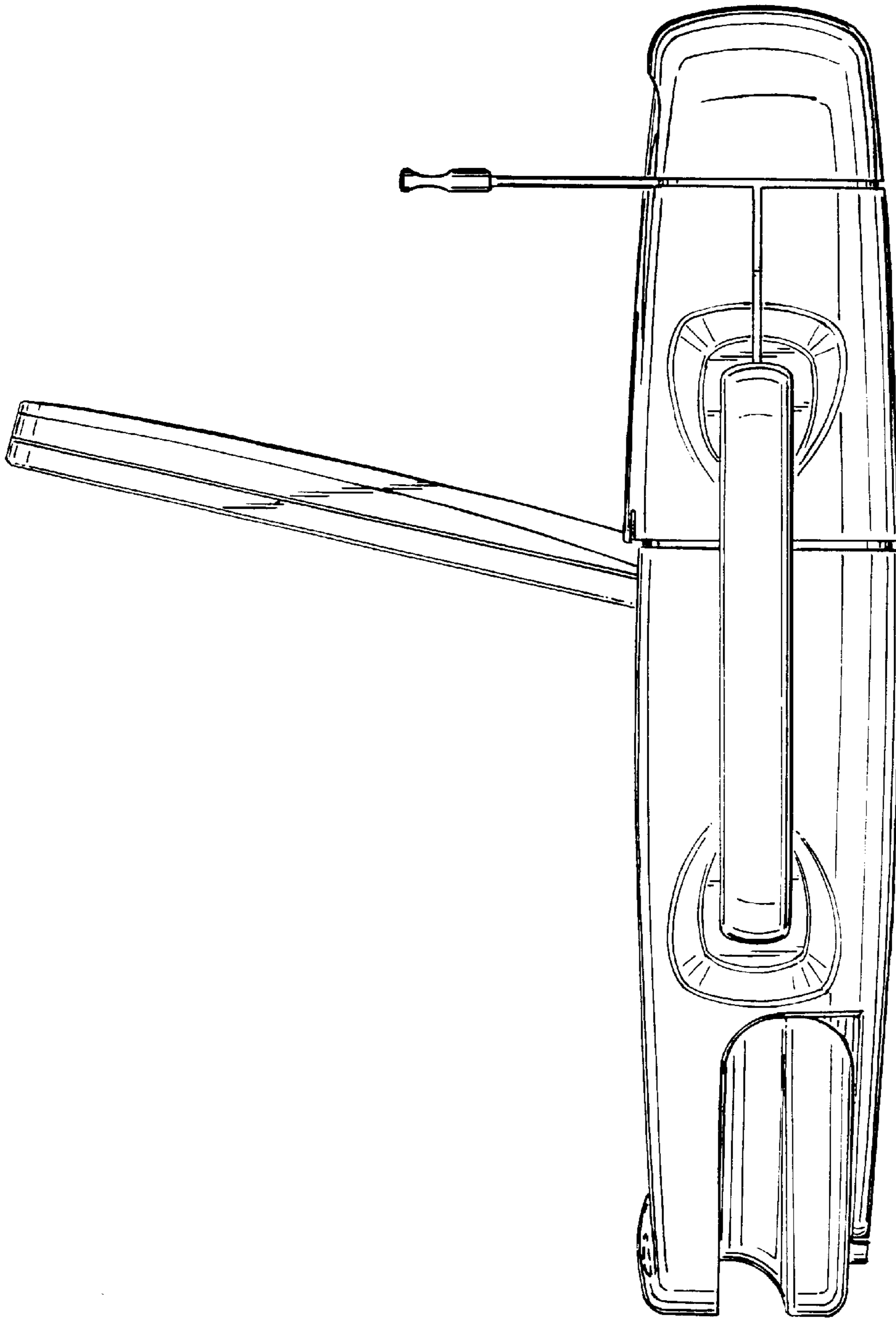


FIG. 5.

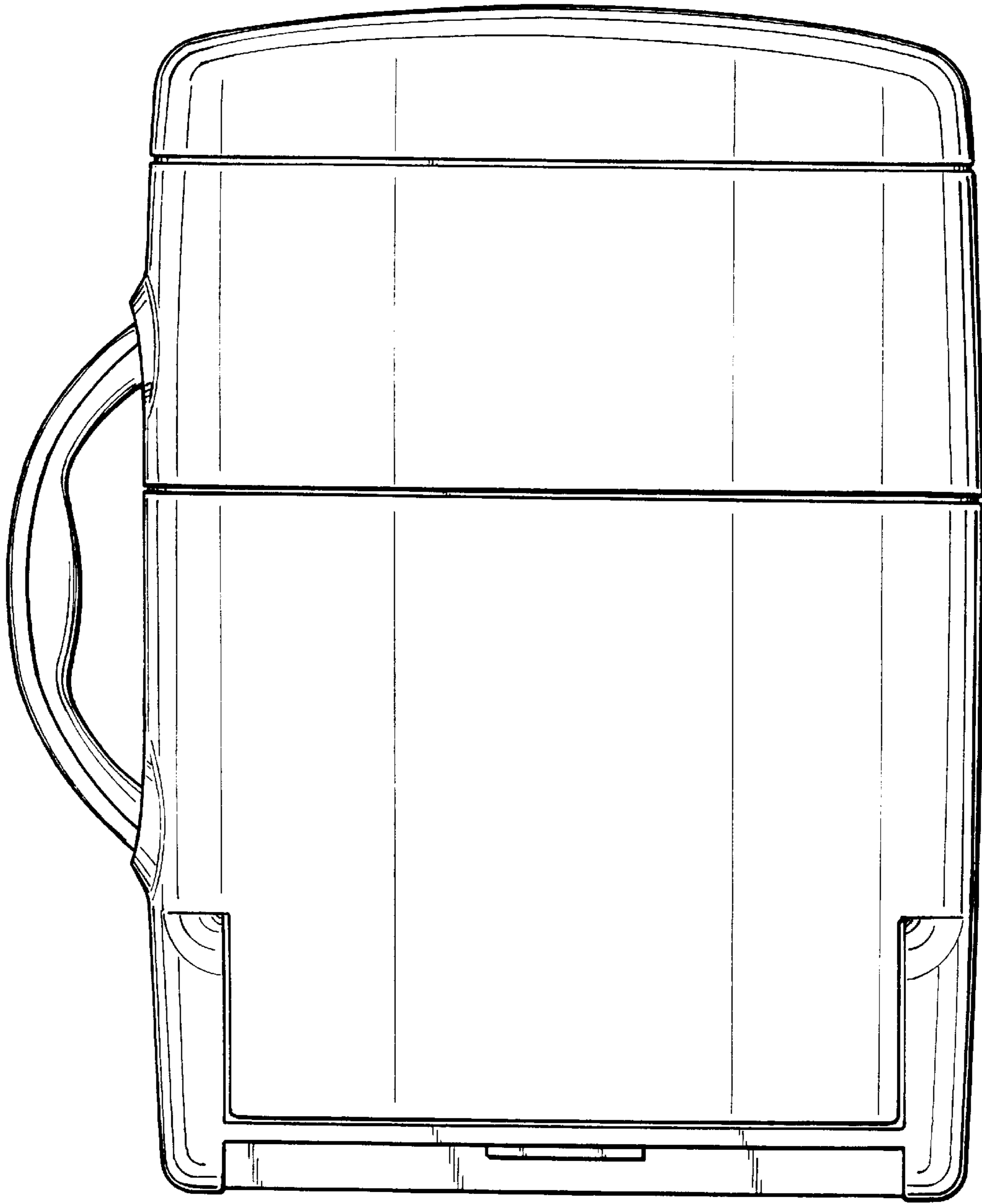


FIG. 6.