



US00D412700S

# United States Patent [19]

Gardner et al.

[11] Patent Number: Des. 412,700

[45] Date of Patent: \*\* Aug. 10, 1999

## [54] COMBINED SIGNAL AND POWER CONNECTOR

[75] Inventors: Michael J. Gardner; Gene Whetstone, both of Wheaton; David E. Dunham, Aurora, all of Ill.

[73] Assignee: Molex Incorporated, Lisle, Ill.

[\*\*] Term: 14 Years

[21] Appl. No.: 29/095,714

[22] Filed: Oct. 29, 1998

[51] LOC (6) Cl. .... 13-03

[52] U.S. Cl. .... D13/147

[58] Field of Search ..... D13/146, 147; 439/78, 79, 564, 569, 573, 607, 650, 677

### [56] References Cited

#### U.S. PATENT DOCUMENTS

D. 274,719	7/1984	Casiotti et al. ....	D13/147
D. 314,179	1/1991	Ogawa .....	D13/147
D. 362,658	9/1995	Meagher et al. ....	D13/147
3,329,926	7/1967	Aksu et al. ....	D13/147 X
5,234,353	8/1993	Scholz et al. .	

5,238,413	8/1993	McCaffrey et al. .	
5,273,453	12/1993	Manassero et al. ....	439/352
5,641,308	6/1997	Bixler et al. .	

### OTHER PUBLICATIONS

U.S. Patent Application Ser. No. 09/149,640, filed Sep. 8, 1998 for "Selective Termination Connector Assembly".

Primary Examiner—Joel Sincavage  
Attorney, Agent, or Firm—Charles S. Cohen

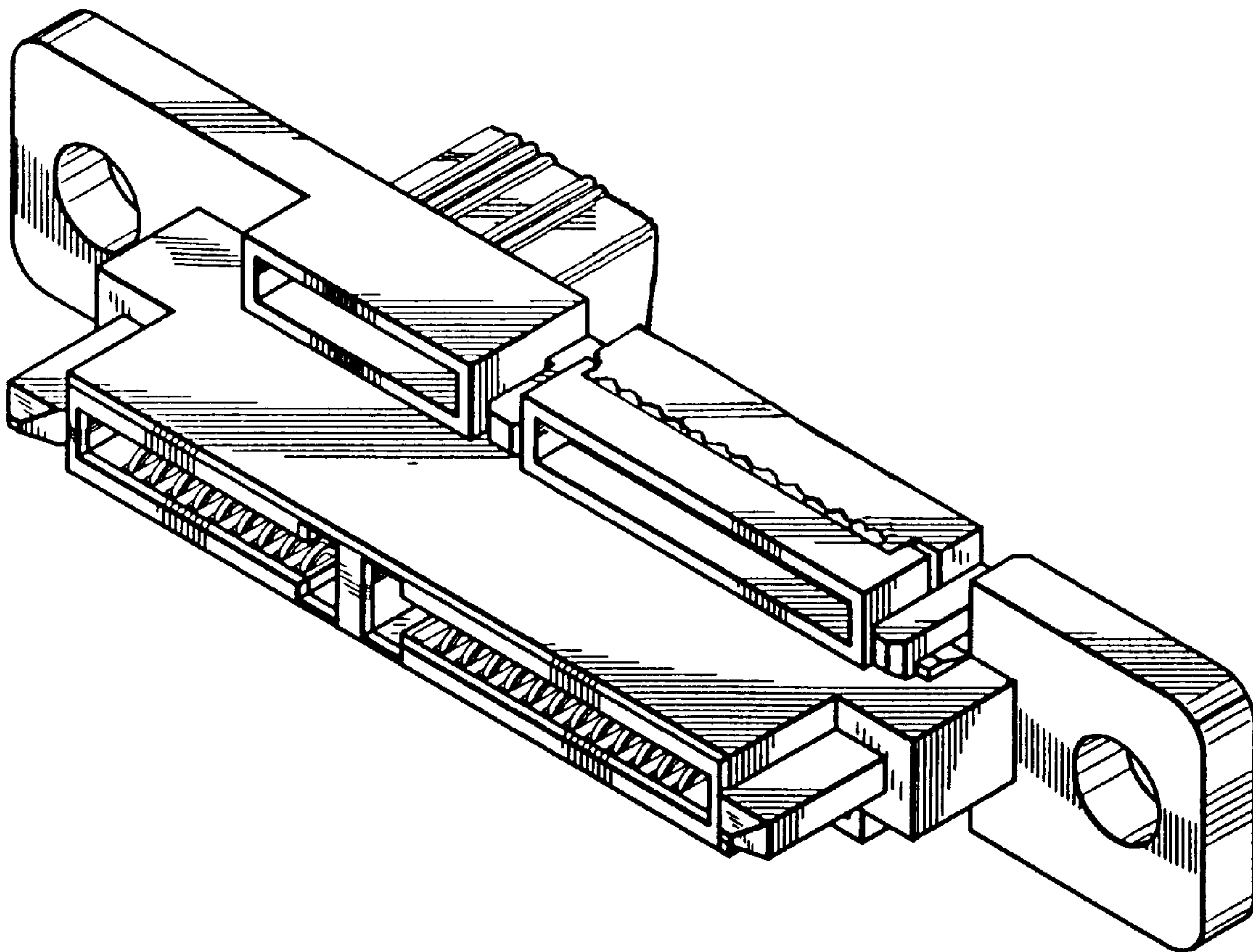
### [57] CLAIM

The ornamental design for a combined signal and power connector, as shown and described.

### DESCRIPTION

FIG. 1 is a perspective view of a combined signal and power connector showing our new design; FIG. 2 is a front elevational view thereof; FIG. 3 is a side elevational view of the left side thereof; FIG. 4 is a side elevational view of the right side thereof; FIG. 5 is a rear elevational view thereof; FIG. 6 is a top plan view thereof; and, FIG. 7 is a bottom plan view thereof.

1 Claim, 6 Drawing Sheets



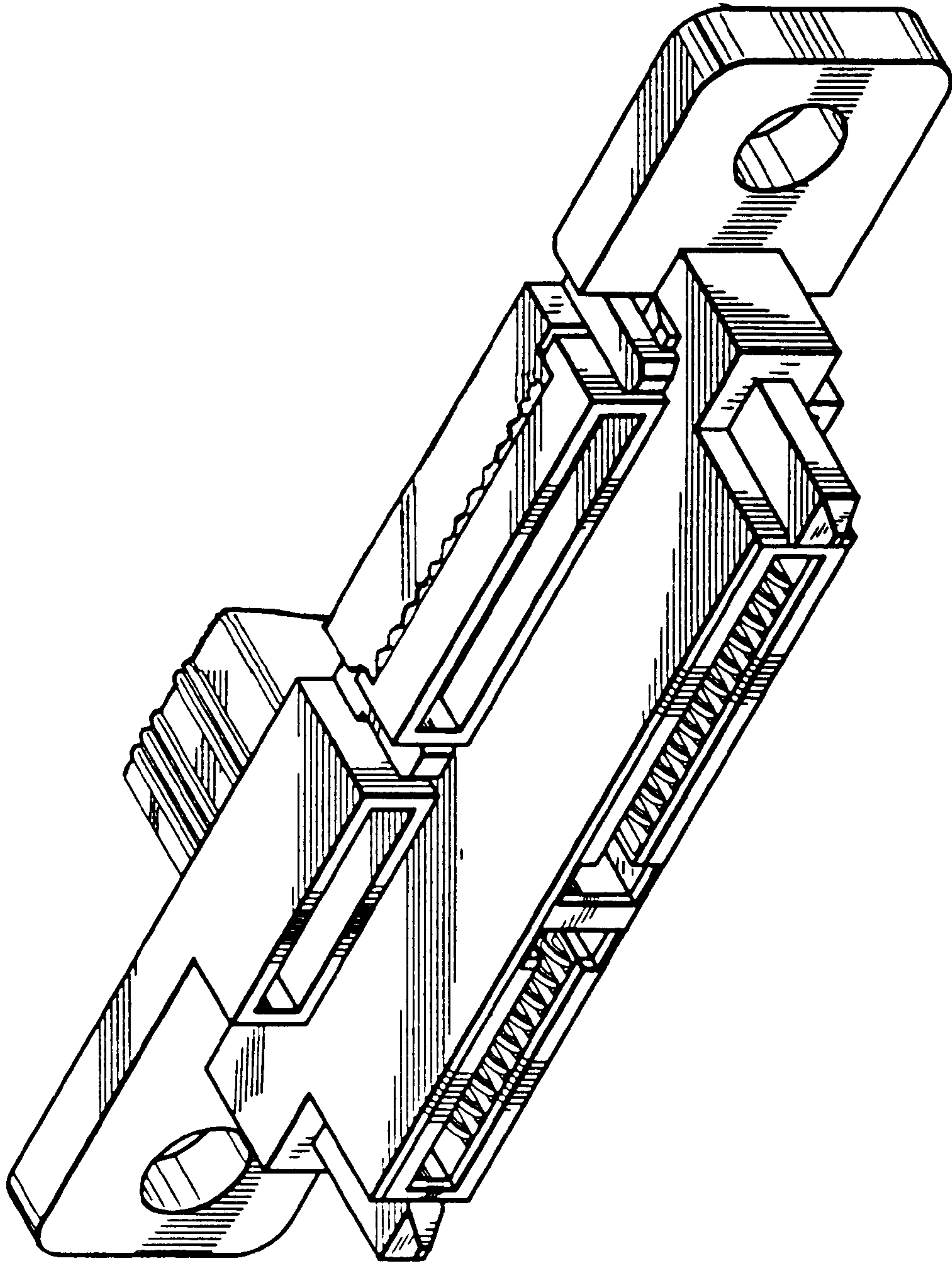


FIG. 1

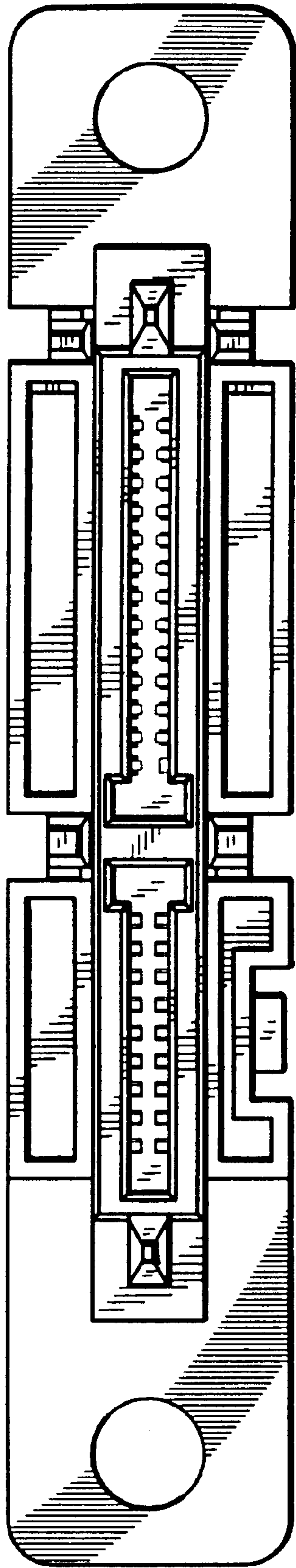


FIG. 2

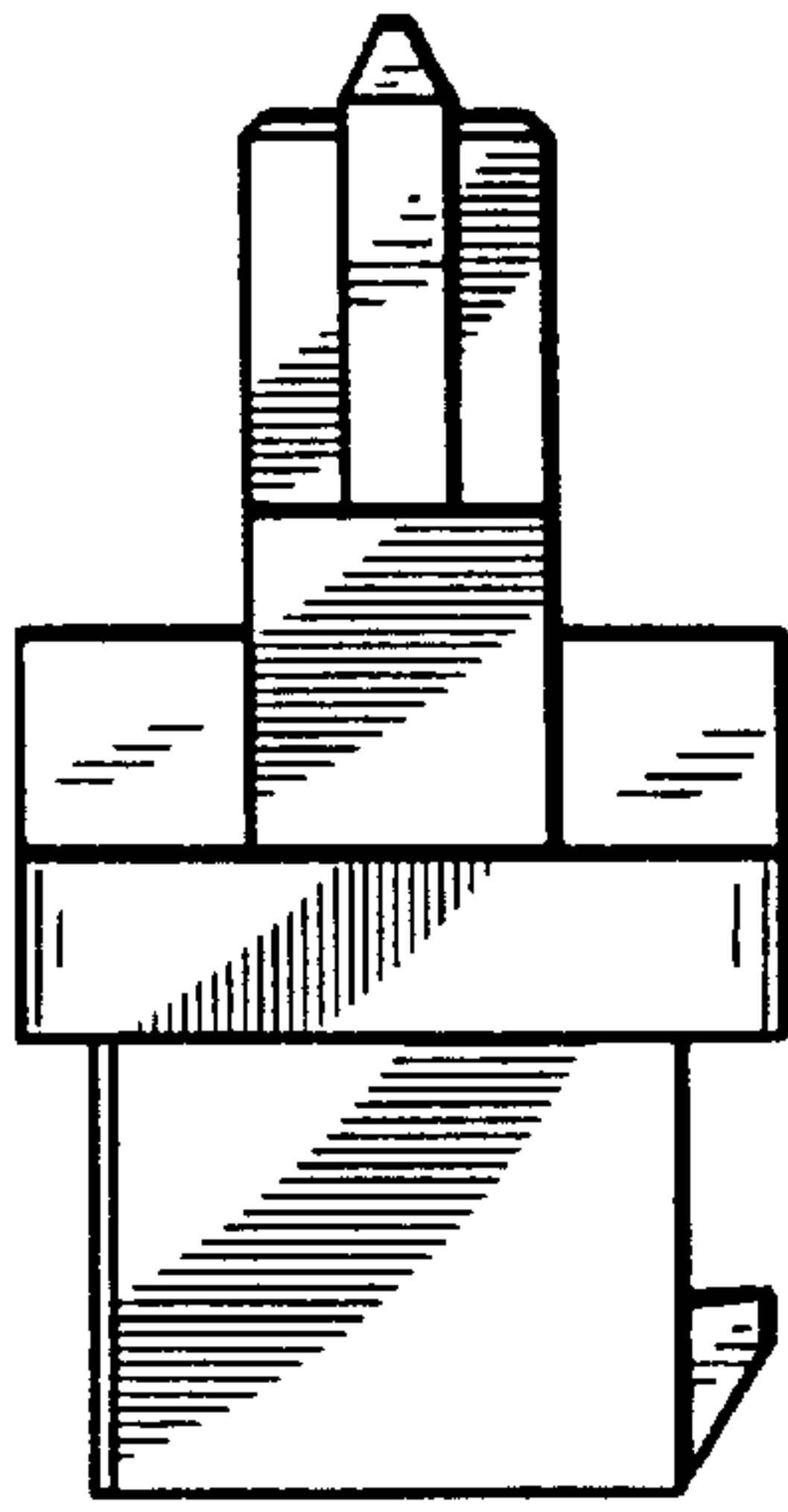


FIG. 3

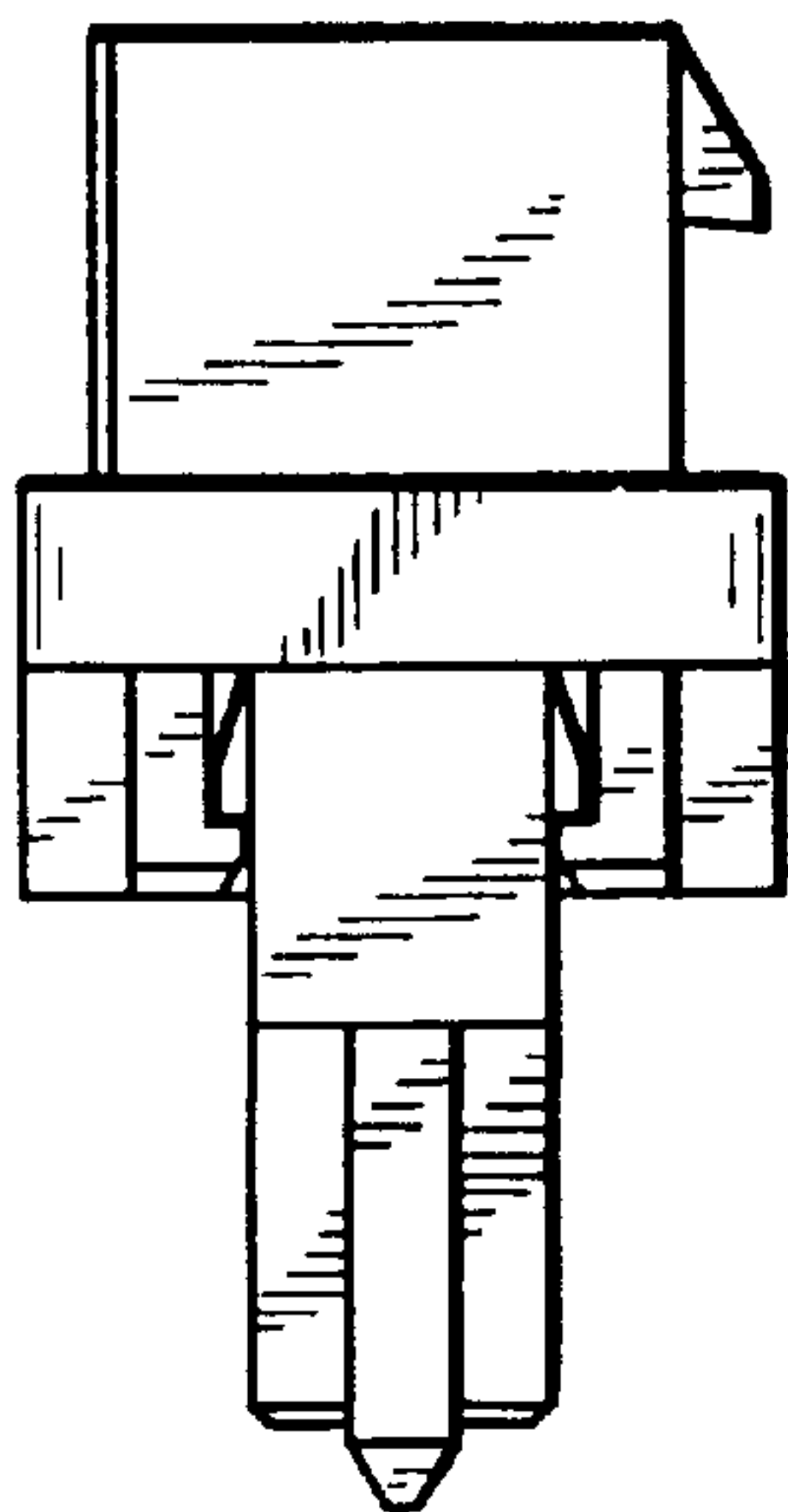


FIG. 4

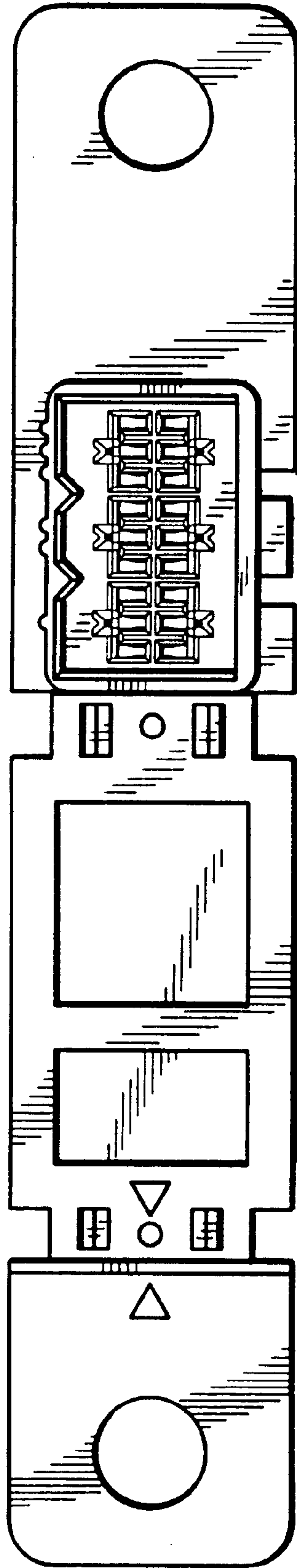


FIG. 5

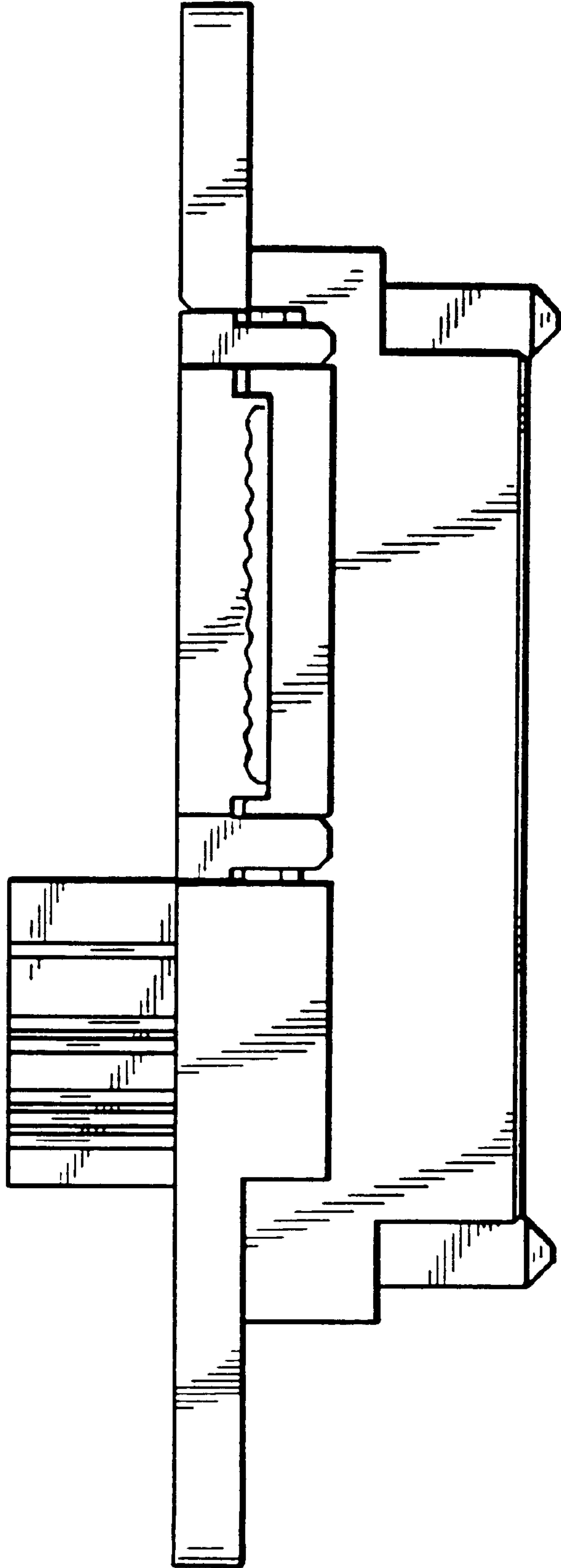


FIG. 6



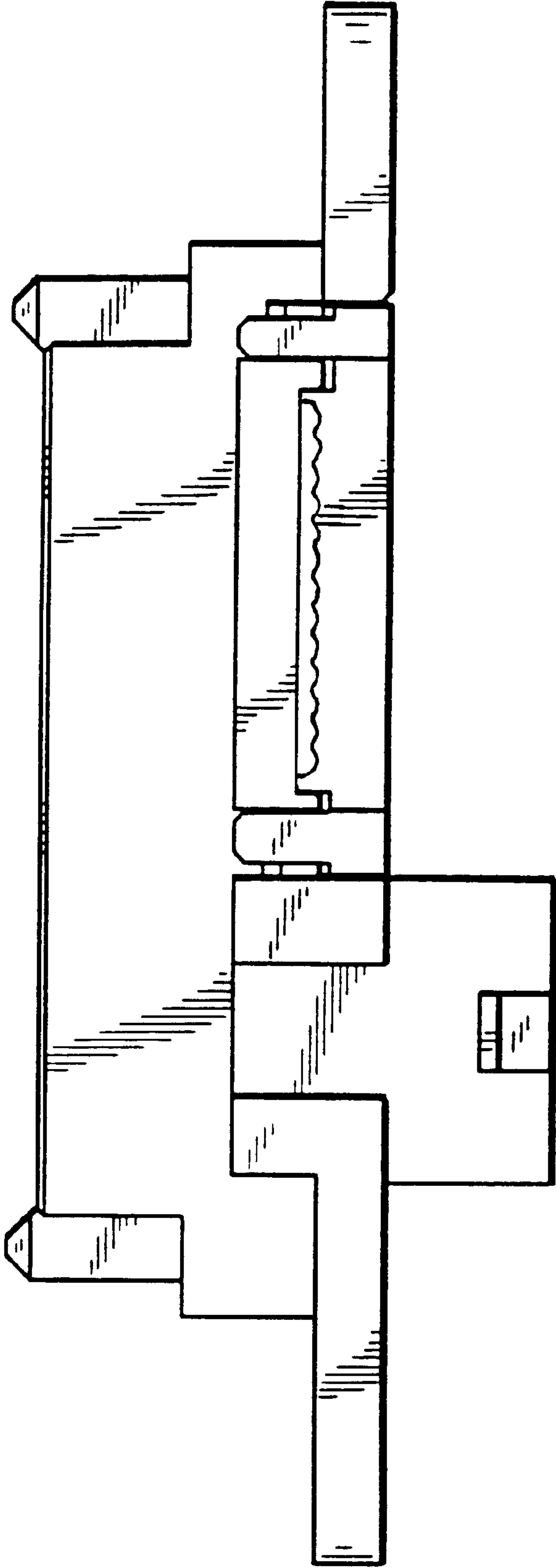


FIG. 7