



US00D412694S

United States Patent [19]

Kovacik et al.

[11] Patent Number: **Des. 412,694**

[45] Date of Patent: **** Aug. 10, 1999**

[54] **LOG SHAPED MULTIPLE ELECTRICAL
OUTLET**

D. 377,844 2/1997 Gary et al. D8/1 X

[75] Inventors: **James D. Kovacik**, Brecksville; **Paul S. Blanch**, Broadview Heights; **Stanley E. Grzywna**, Elyria, all of Ohio

Primary Examiner—Susan J. Lucas
Assistant Examiner—Jennifer Rivard
Attorney, Agent, or Firm—MacMillan, Sobanski & Todd, LLC

[73] Assignee: **Alert Safety Lite Products Co., Inc.**, Bedford Heights, Ohio

[57] **CLAIM**

[**] Term: **14 Years**

We claim the ornamental design for a log shaped multiple electrical outlet, as shown and described.

[21] Appl. No.: **29/077,945**

DESCRIPTION

[22] Filed: **Oct. 15, 1997**

[51] **LOC (6) Cl.** **13-03**

[52] **U.S. Cl.** **D13/139.4**

[58] **Field of Search** D8/1; D23/409;
D13/139.1, 139.2, 139.3, 139.4, 139.5,
139.6, 139.7, 139.8; 439/650, 651, 652,
601, 622; 337/189, 198

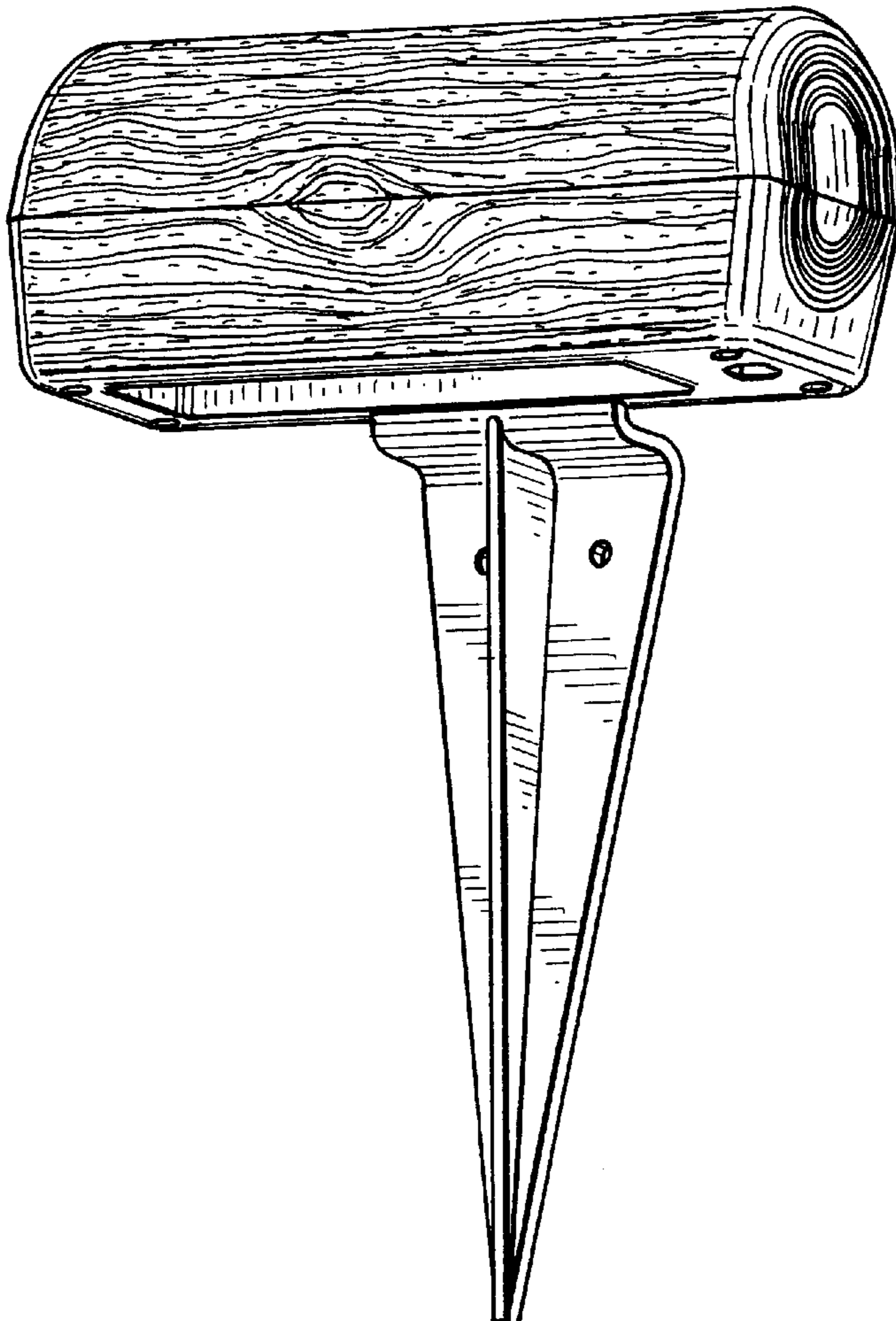
FIG. 1 is a perspective view of the log shaped multiple electrical outlet of the present invention;
FIG. 2 is a front elevational view thereof;
FIG. 3 is a right side elevational view thereof, the left side elevational view being a mirror image;
FIG. 4 is a rear elevational view thereof;
FIG. 5 is a top plan view thereof; and,
FIG. 6 is a bottom plan view thereof.

[56] **References Cited**

U.S. PATENT DOCUMENTS

D. 355,890 2/1995 Lentz D13/139.4

1 Claim, 2 Drawing Sheets



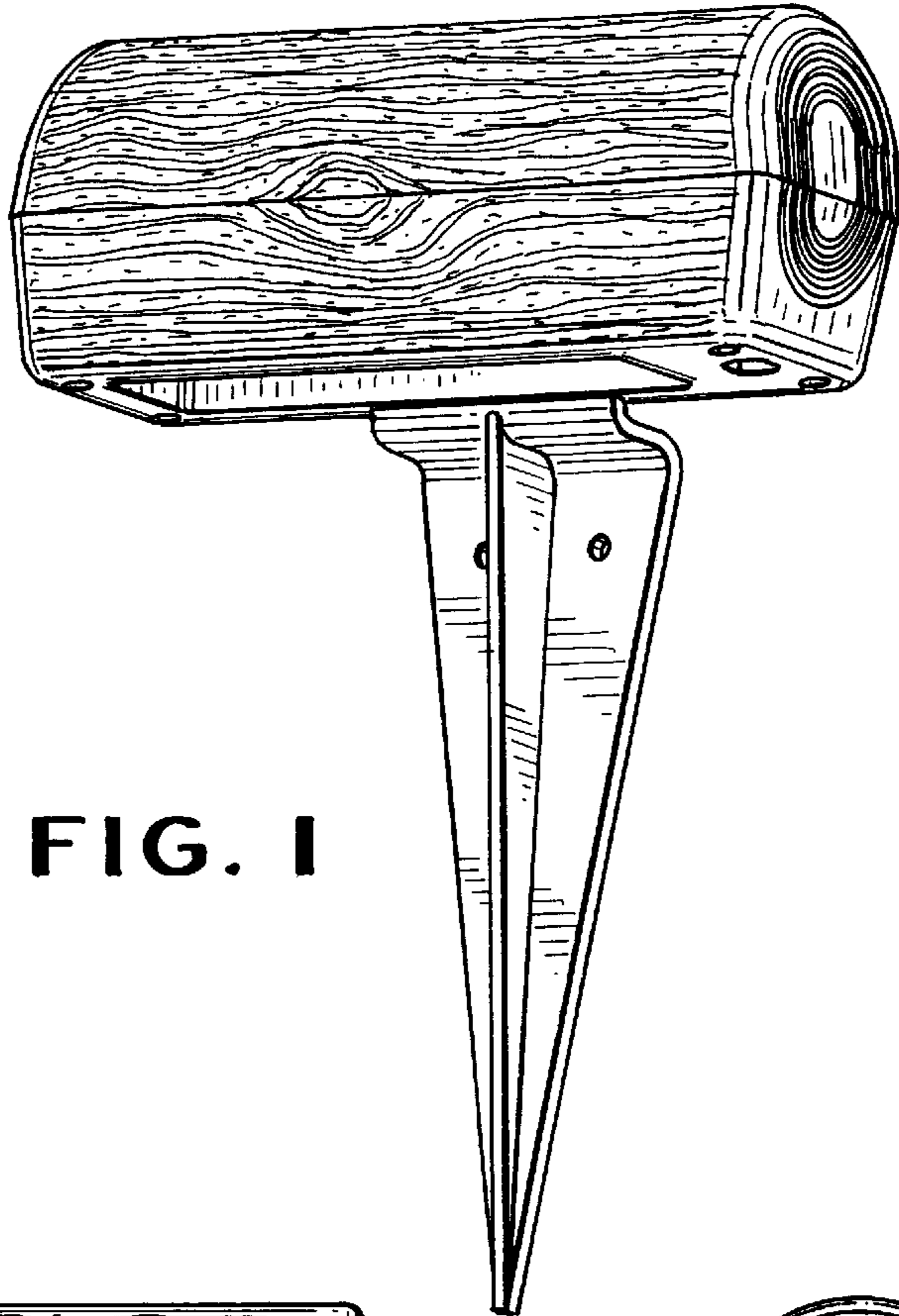


FIG. 1

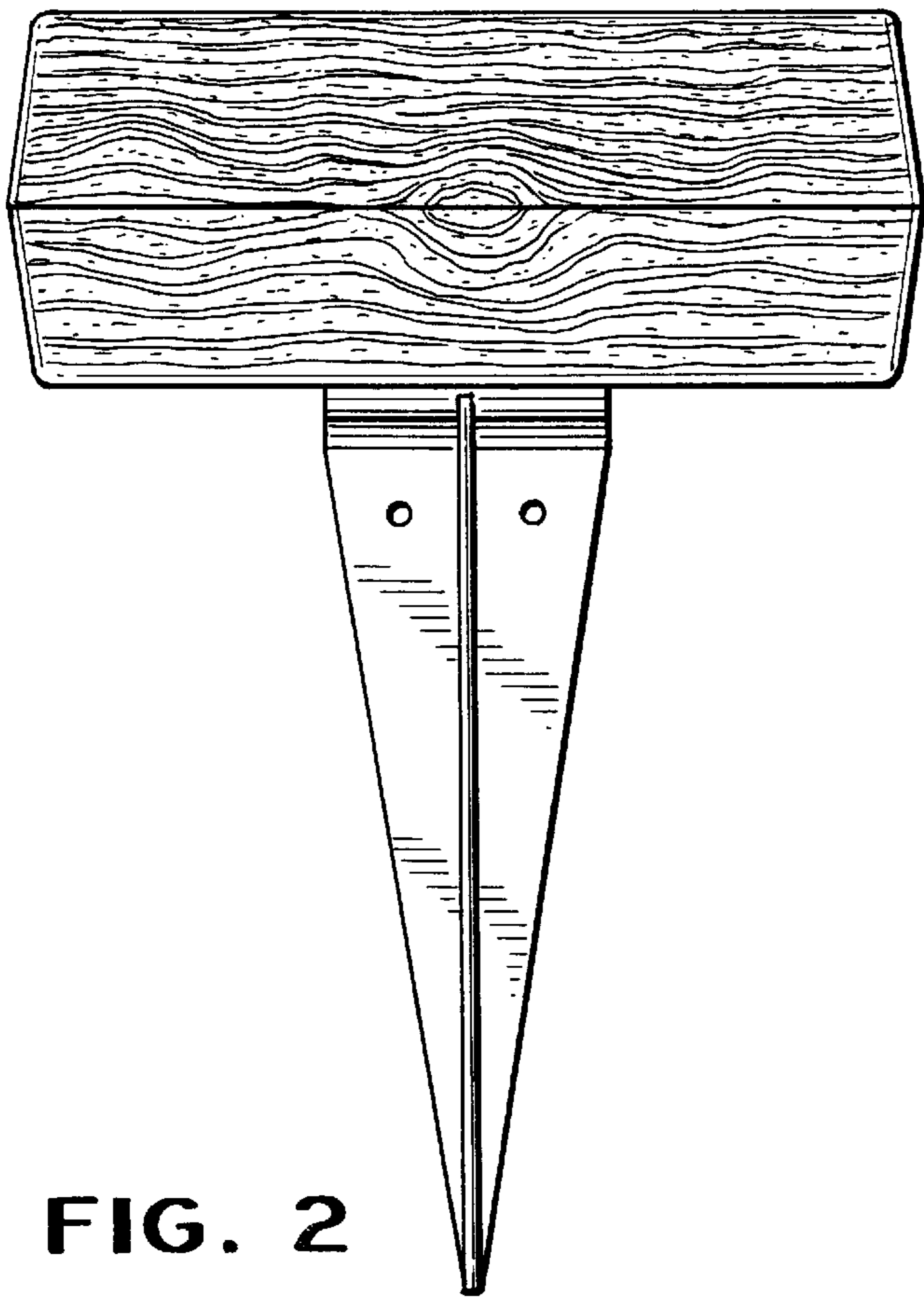


FIG. 2

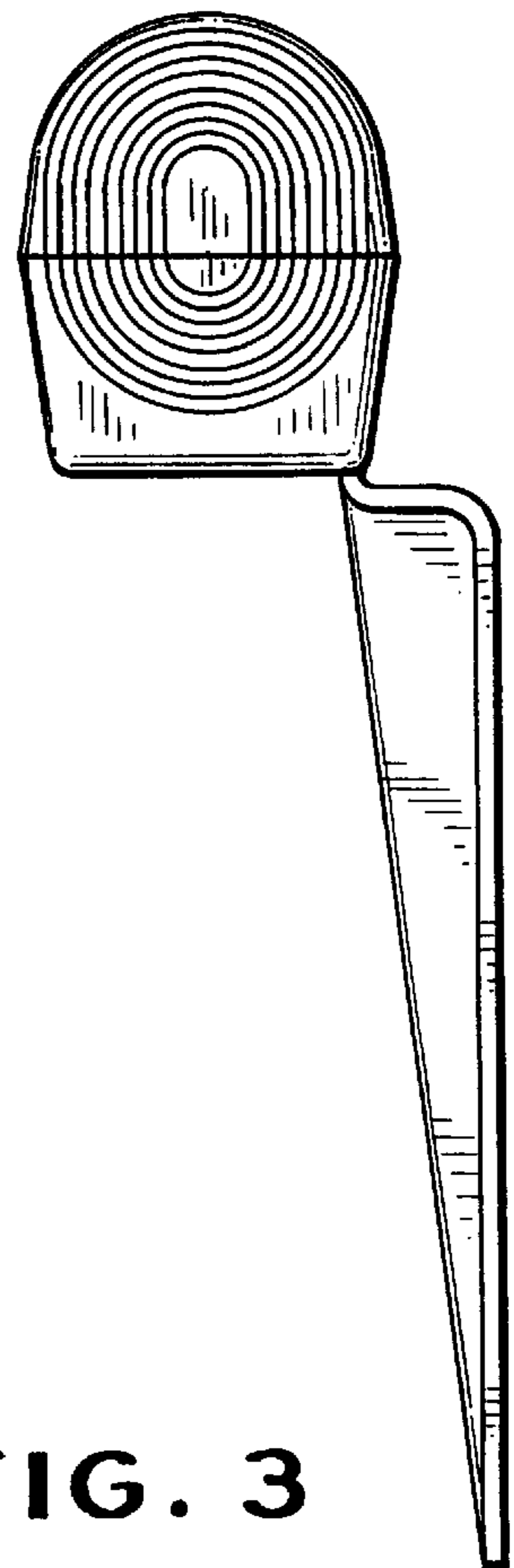


FIG. 3

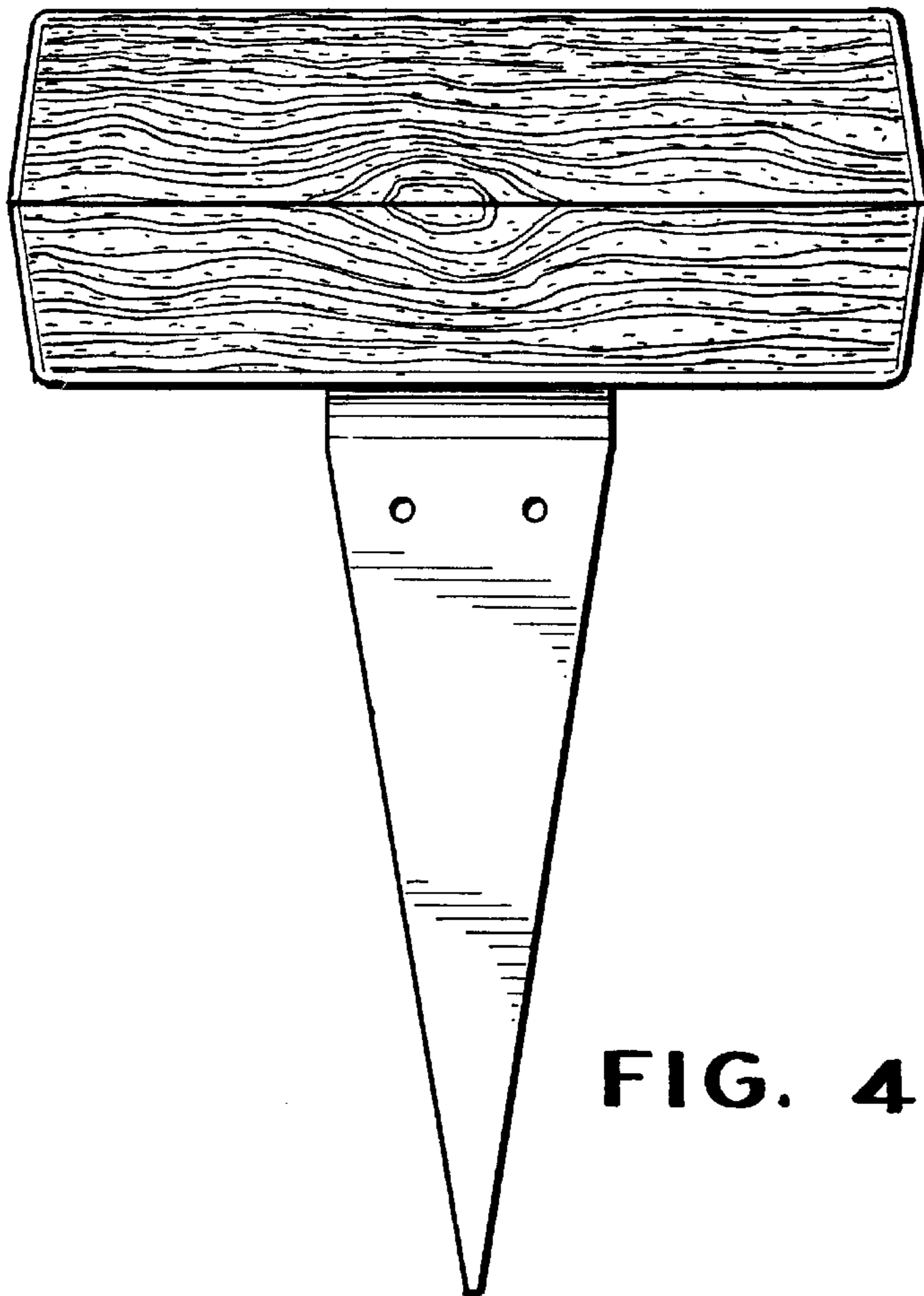


FIG. 4

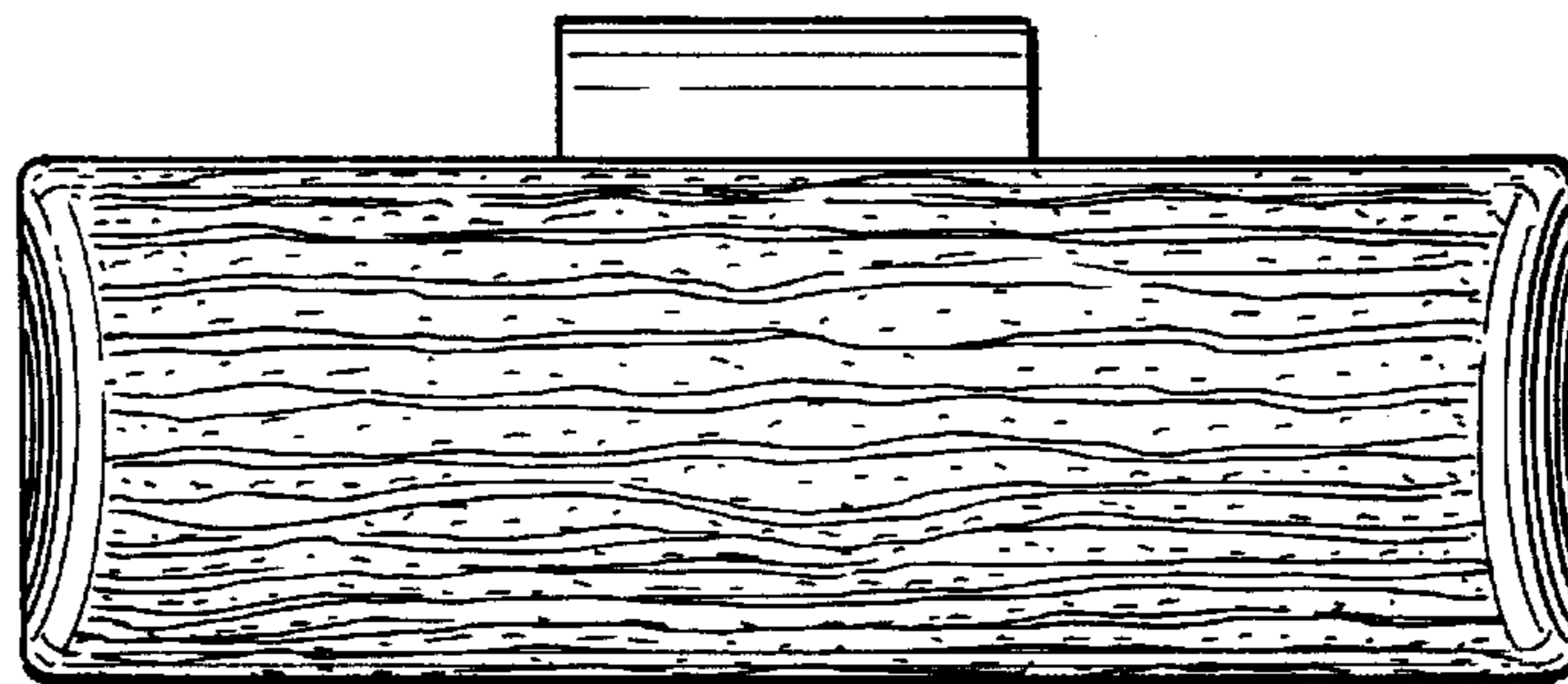


FIG. 5

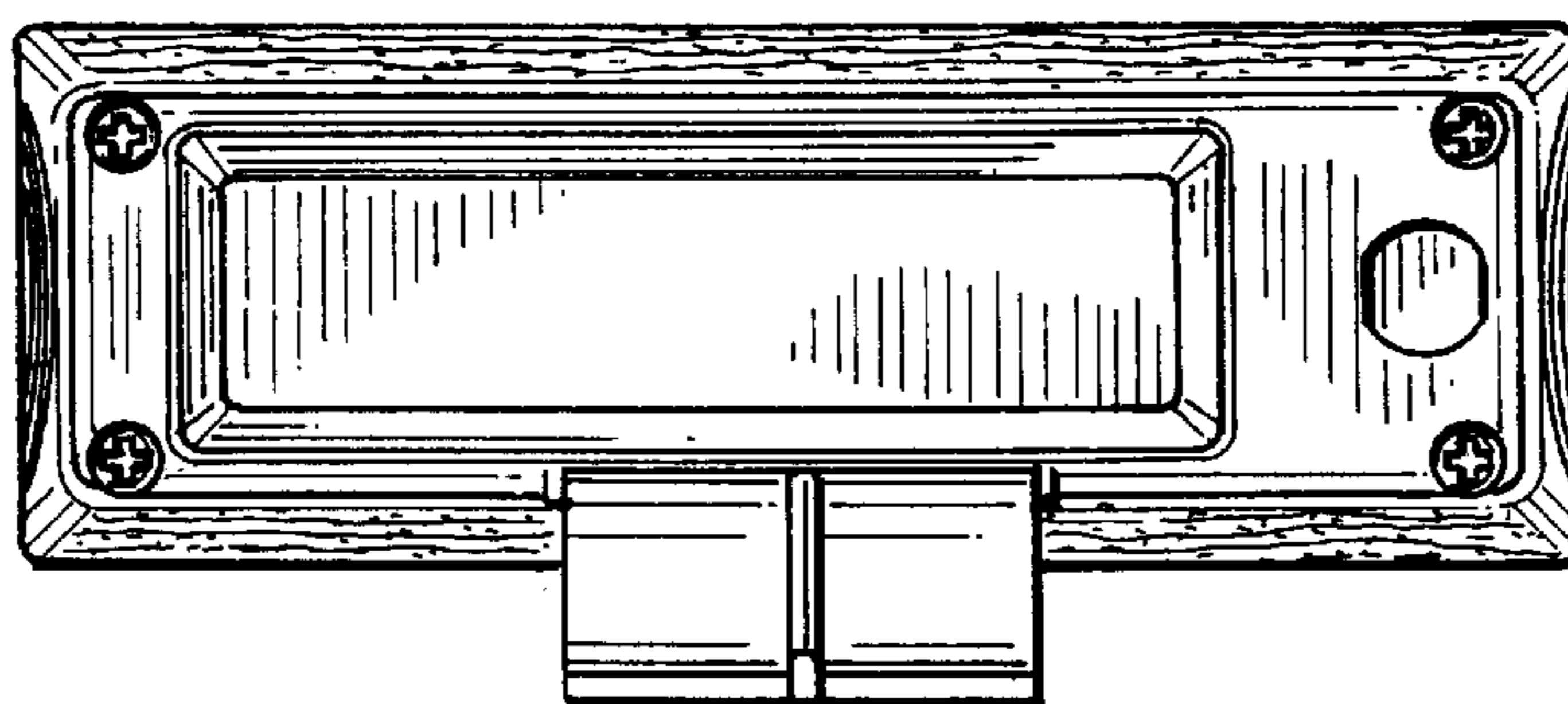


FIG. 6