



US00D412692S

**United States Patent** [19]  
**Hussaini**

[11] **Patent Number: Des. 412,692**  
[45] **Date of Patent: \*\* Aug. 10, 1999**

[54] **FRONT FACE OF A VEHICLE WHEEL COVER**

[75] Inventor: **Saied Hussaini**, Miami, Fla.

[73] Assignee: **Rally Manufacturing, Inc.**, Miami, Fla.

[\*\*] Term: **14 Years**

[21] Appl. No.: **29/097,628**

[22] Filed: **Dec. 10, 1998**

[51] **LOC (6) Cl.** ..... **12-16**

[52] **U.S. Cl.** ..... **D12/209**

[58] **Field of Search** ..... D12/204-213;  
301/64.1, 65, 37.1

D. 380,432	7/1997	Hettler	.....	D12/209
D. 384,025	9/1997	Roesianto	.....	D12/209
D. 384,320	9/1997	Bhambra	.....	D12/209
D. 384,932	10/1997	Cullen	.....	D12/211
D. 391,215	2/1998	Cervati	.....	D12/209
D. 391,543	3/1998	Renkert	.....	D12/209
D. 396,682	8/1998	Sacco et al.	.....	D12/209
D. 398,573	9/1998	Cattaneo	.....	D12/211
D. 398,574	9/1998	McMath	.....	D12/211
D. 403,289	12/1998	Watanabe	.....	D12/209
D. 404,000	1/1999	Melbinger	.....	D12/209

*Primary Examiner*—Doris V. Coles  
*Assistant Examiner*—Stacia Sinuik  
*Attorney, Agent, or Firm*—Longacre & White

[57] **CLAIM**

The ornamental design for a front face of a vehicle wheel cover, as shown and described.

**DESCRIPTION**

FIG. 1 is a front view of the front face of a vehicle wheel cover according to the present invention; and, FIG. 2 is a front elevational perspective view of the front face of a vehicle wheel cover shown in FIG. 1.

**1 Claim, 2 Drawing Sheets**

[56] **References Cited**

**U.S. PATENT DOCUMENTS**

D. 267,564	1/1983	Wright	.....	D12/211
D. 361,547	8/1995	Weld	.....	D12/211
D. 368,885	4/1996	Wagner	.....	D12/209
D. 372,699	8/1996	Mantua	.....	D12/209
D. 379,612	6/1997	Honarkhah	.....	D12/209

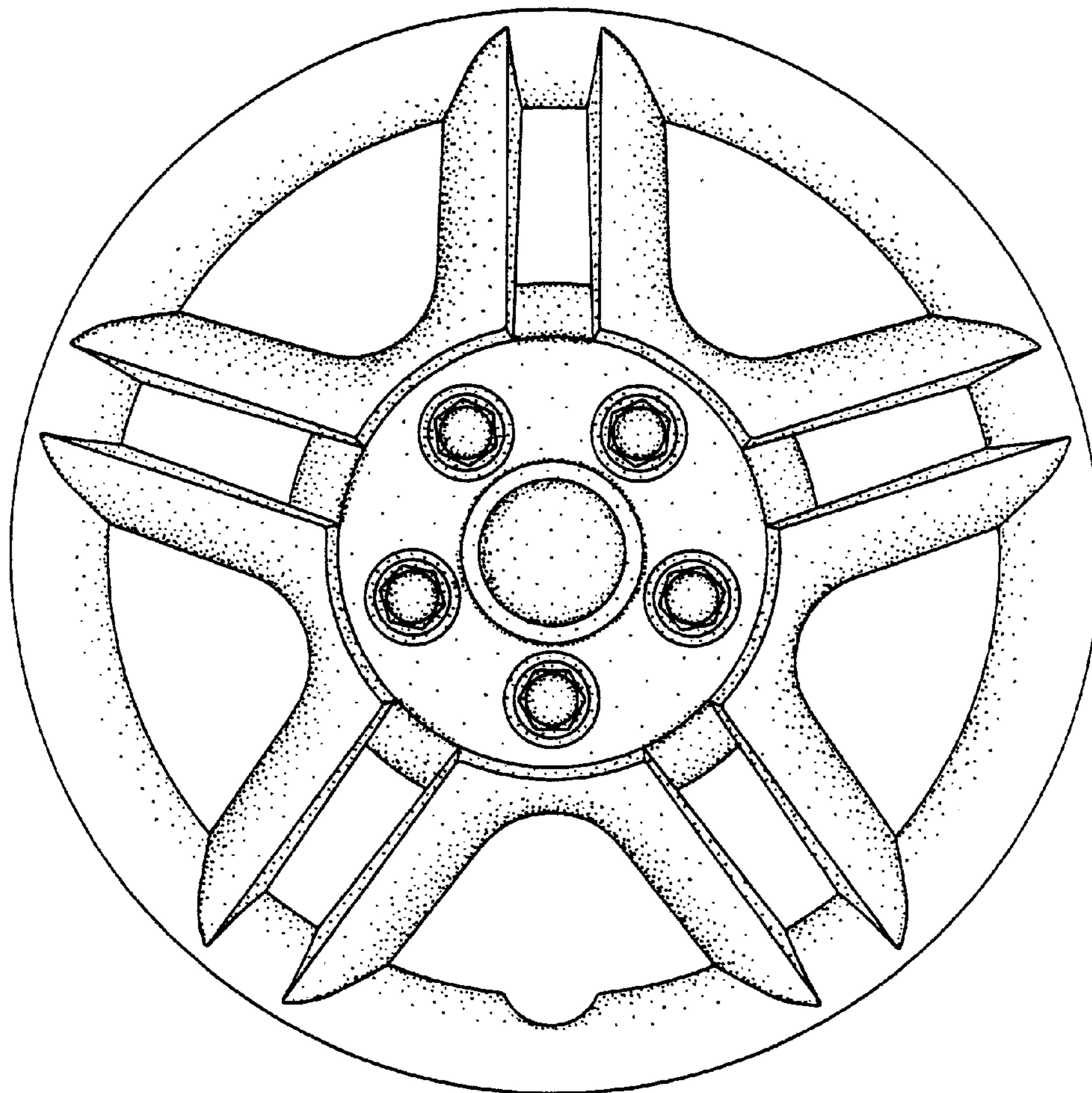


Fig. 1

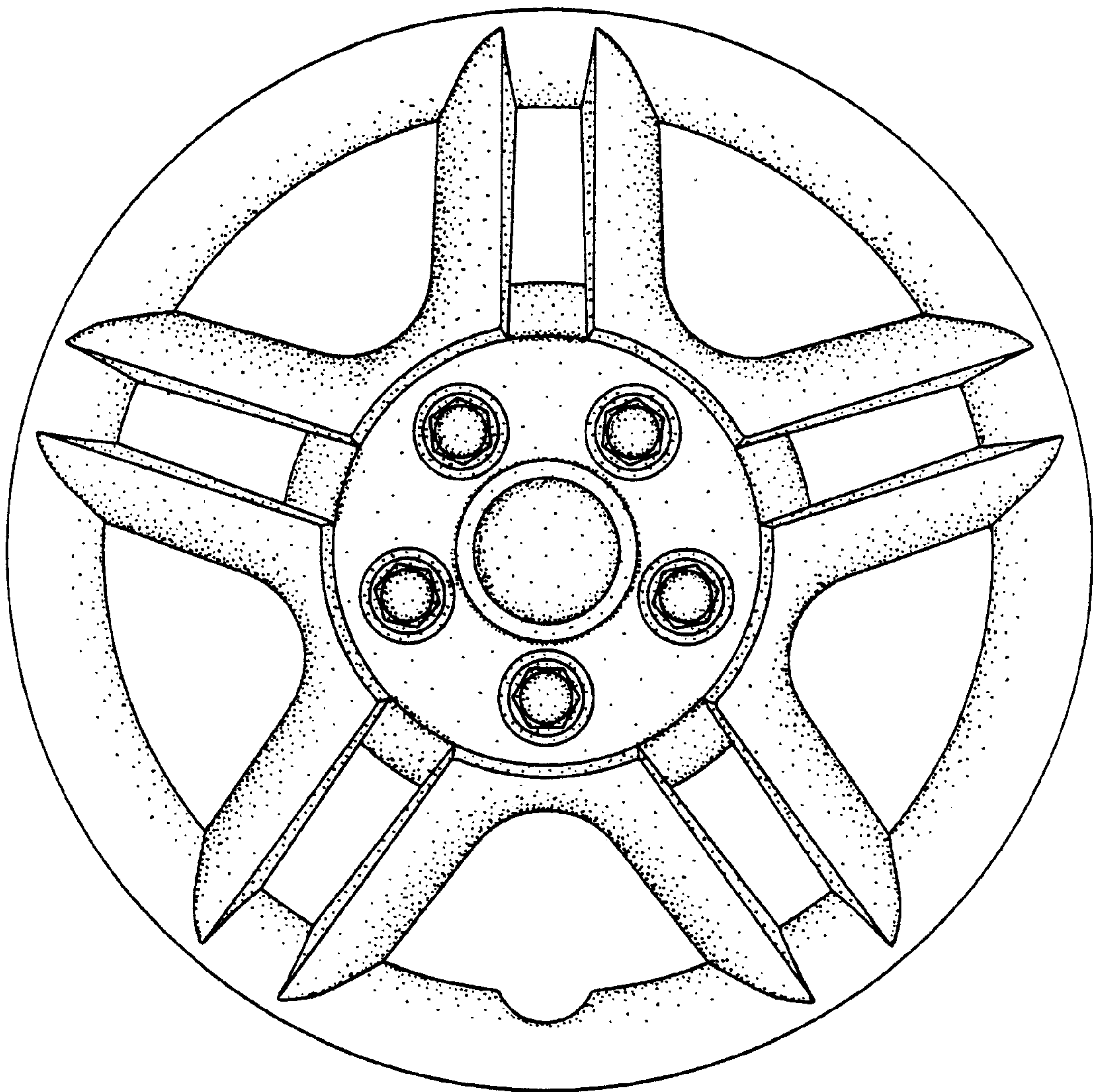


Fig. 2

