



US00D412684S

United States Patent [19] Roth

[11] **Patent Number: Des. 412,684**

[45] **Date of Patent: ** Aug. 10, 1999**

[54] **SEED CADDY TRAILER**

[76] Inventor: **Jason B. Roth**, 201 C St., Milford, Nebr. 68405

[**] Term: **14 Years**

[21] Appl. No.: **29/096,369**

[22] Filed: **Nov. 12, 1998**

[51] **LOC (6) Cl. 12-10**

[52] **U.S. Cl. D12/101**

[58] **Field of Search D12/101, 102; 296/171, 173; 280/63, 789, 482**

[56] **References Cited**

U.S. PATENT DOCUMENTS

D. 336,870	6/1993	Thacker	D12/101
D. 367,071	2/1996	McKay	D15/27
D. 392,223	3/1998	Alpser et al.	D12/101
3,734,540	5/1973	Thiermann	280/482

Primary Examiner—Melody N. Brown
Attorney, Agent, or Firm—Henderson & Sturm

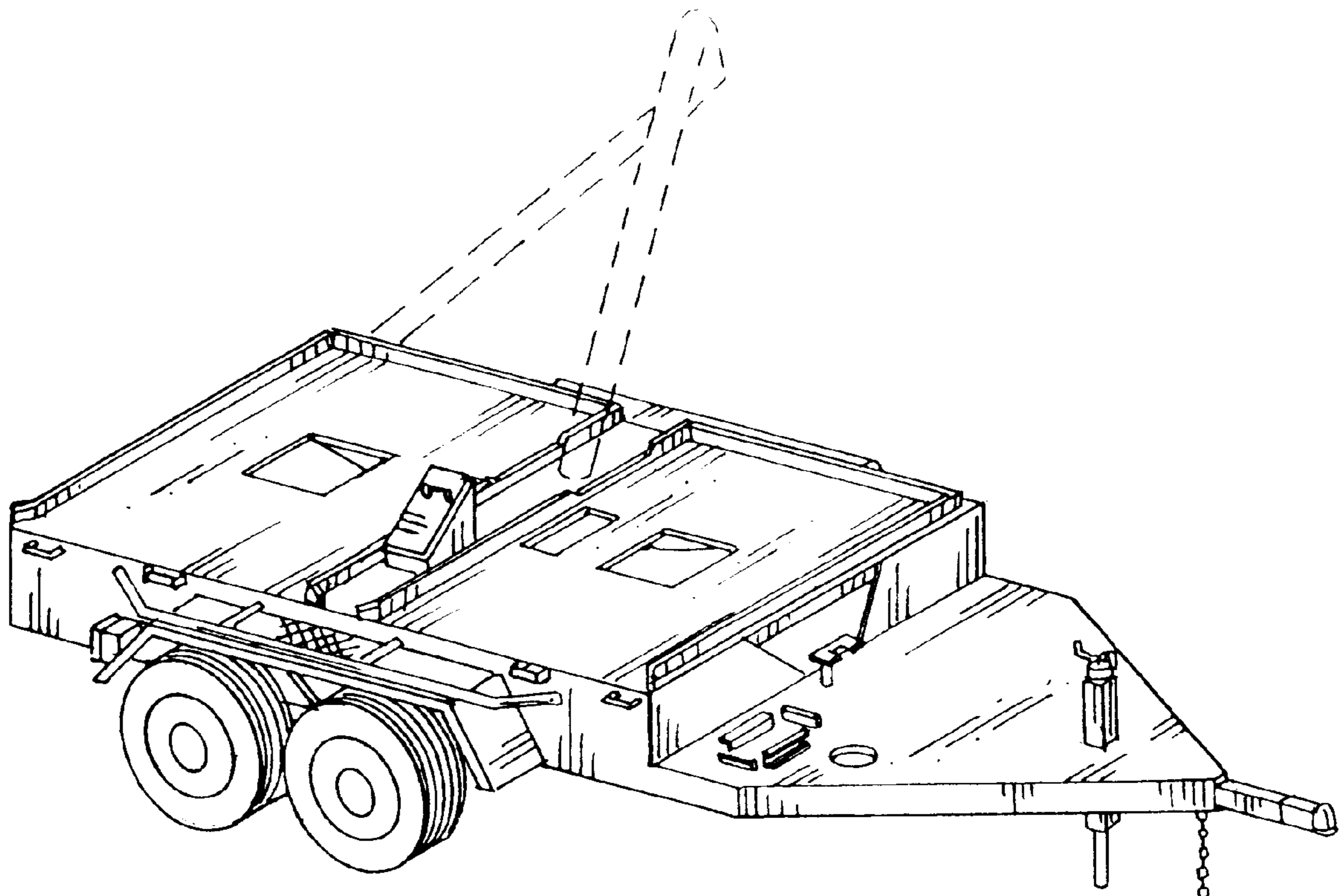
[57] **CLAIM**

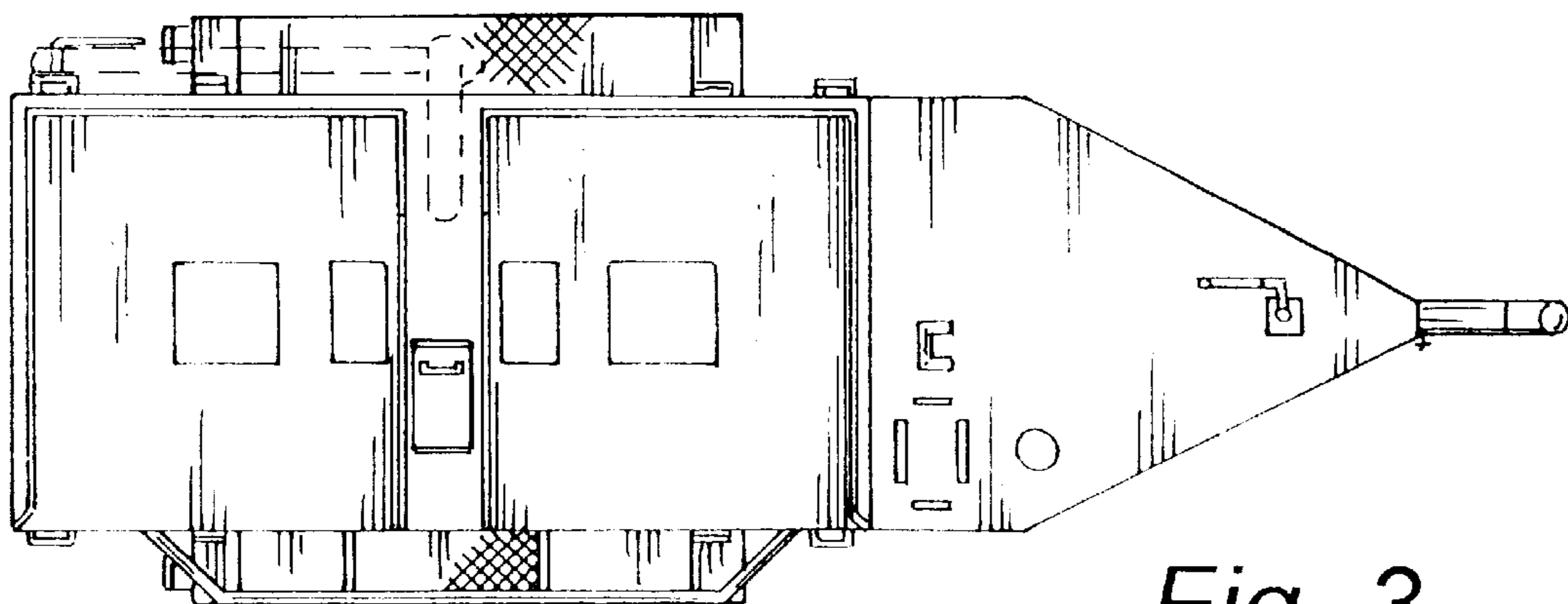
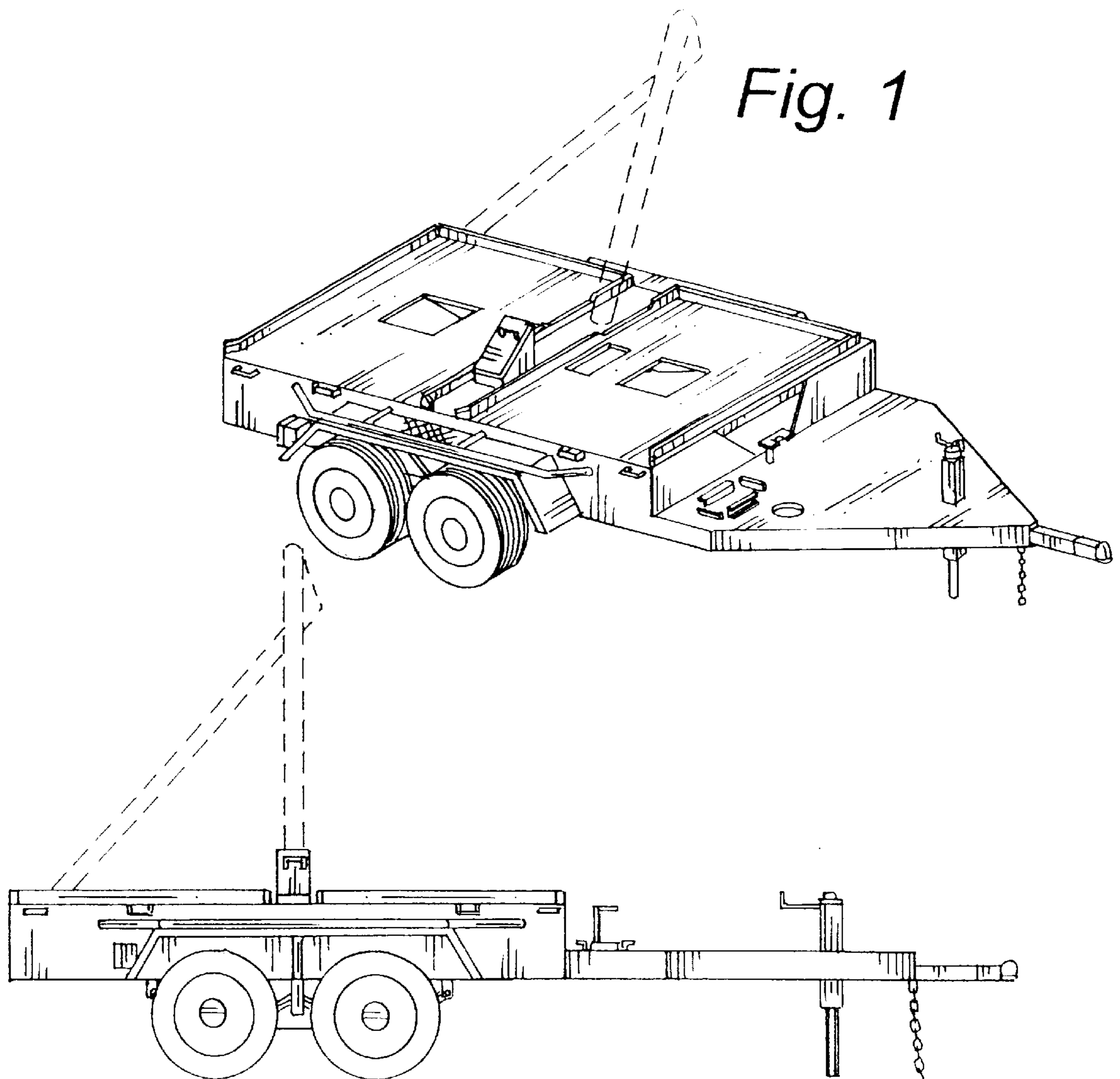
The ornamental design for a seed caddy trailer, as shown and described.

DESCRIPTION

FIG. 1 is a perspective view of the seed caddy trailer showing my new design; FIG. 2 is a right side elevational view thereof; FIG. 3 is a top plan view thereof; FIG. 4 is a left side elevational view thereof; FIG. 5 is a bottom plan view thereof; FIG. 6 is a rear elevational view thereof; and, FIG. 7 is a front elevational view thereof. The broken line showing of the auger discharge is included for illustrative purposes only, and does not form a part of the claimed invention.

1 Claim, 2 Drawing Sheets





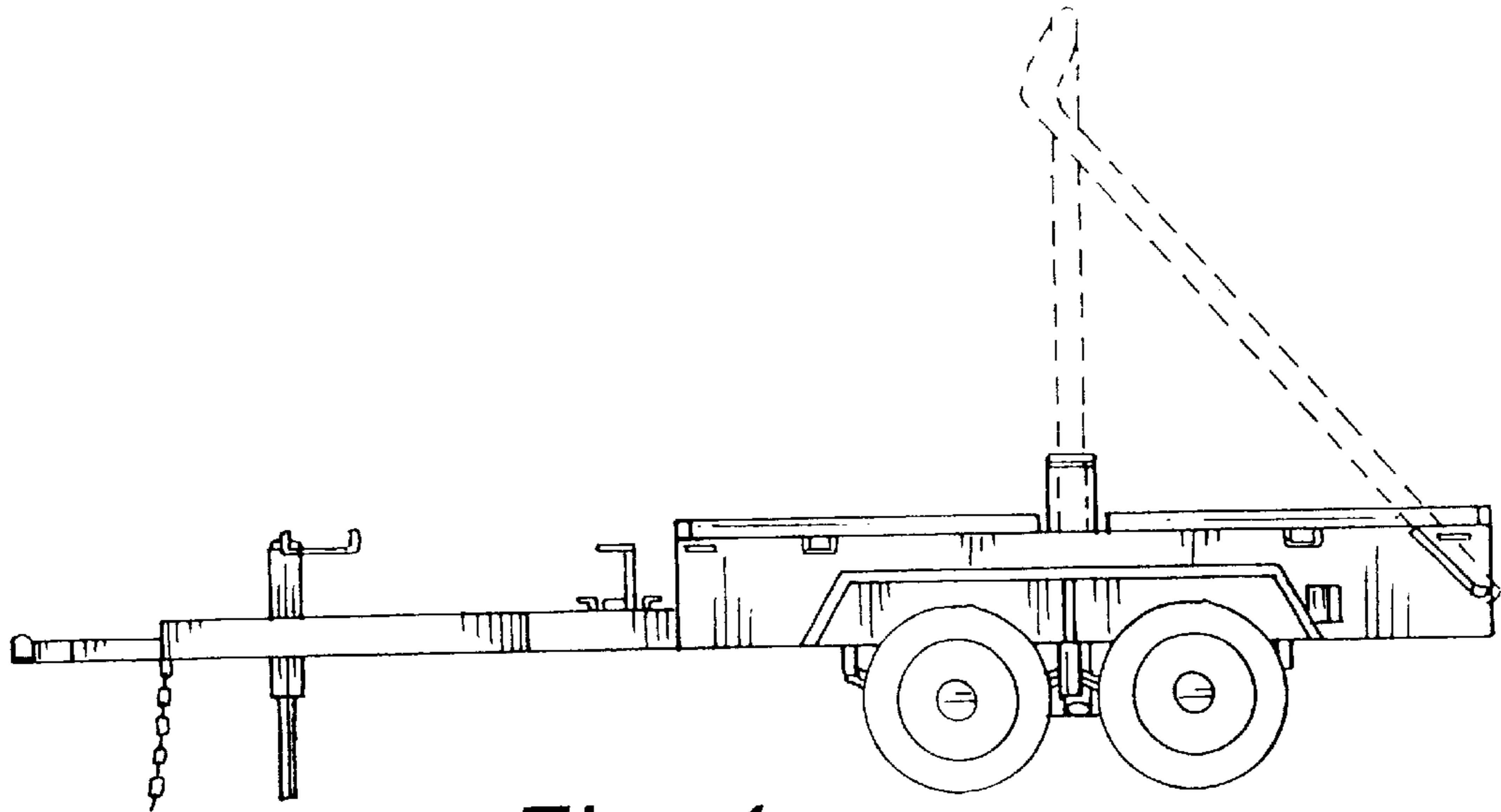


Fig. 4

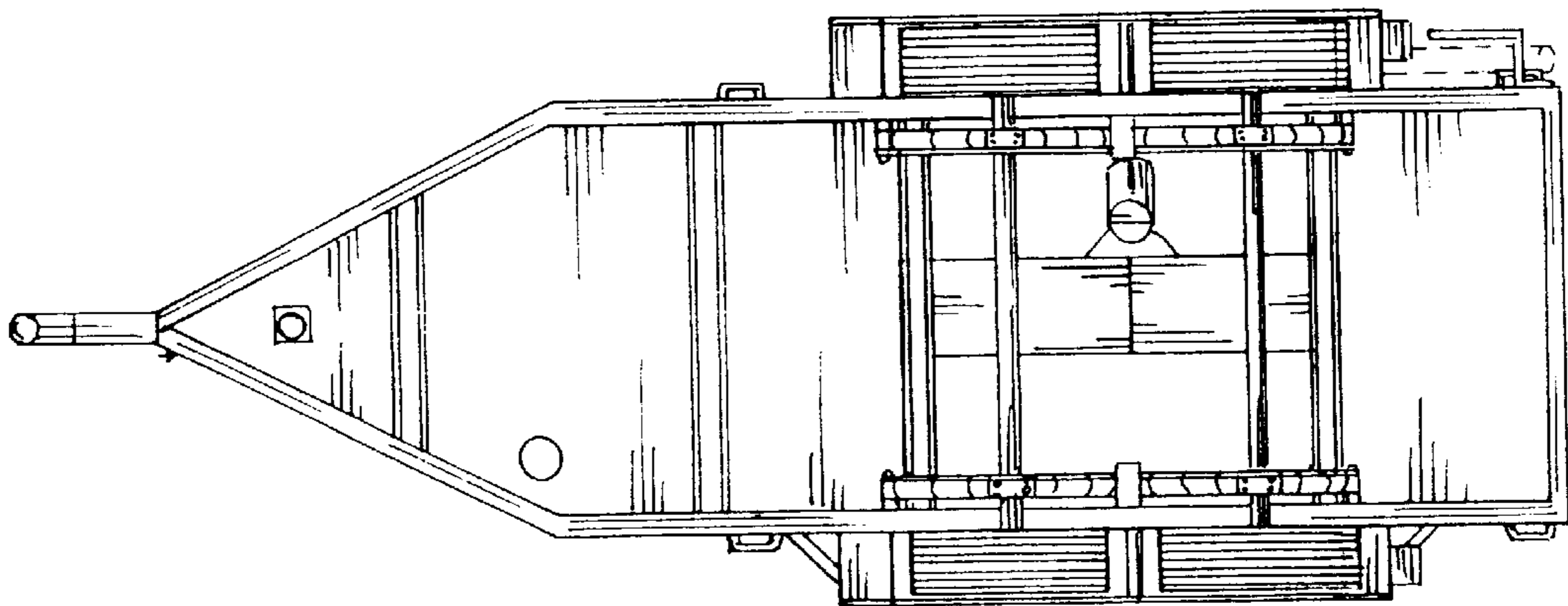


Fig. 5

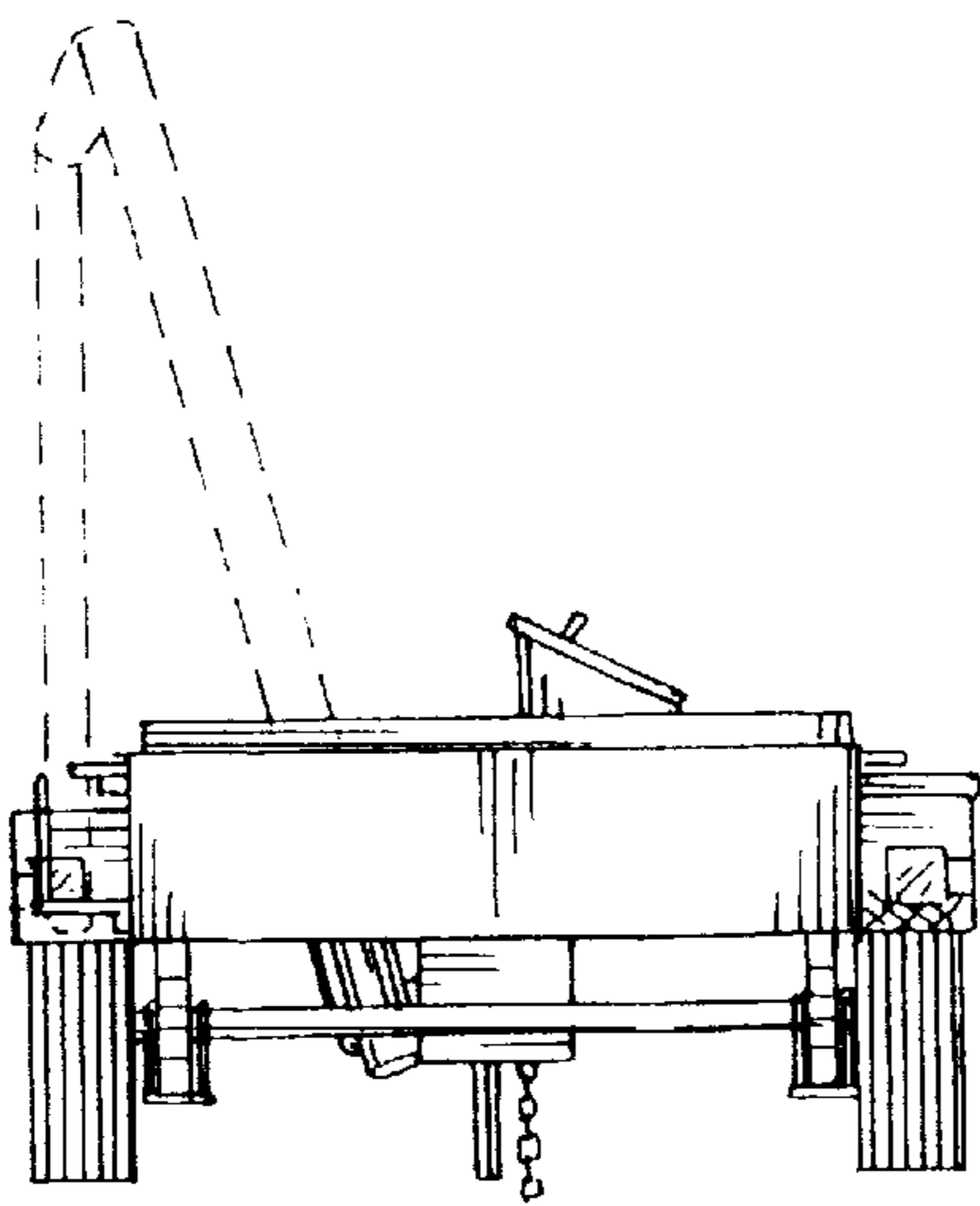


Fig. 6

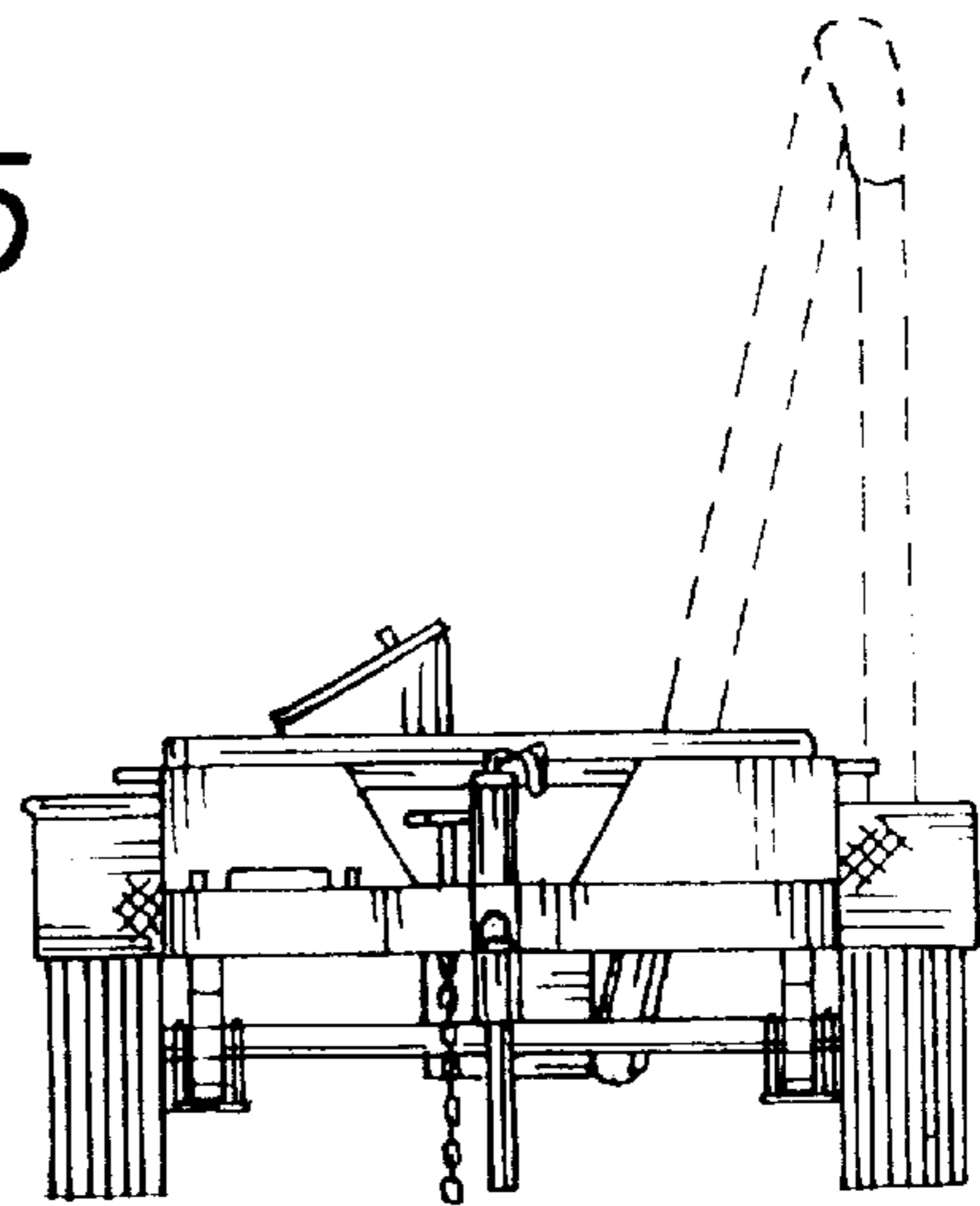


Fig. 7