



US00D412682S

United States Patent [19]
Gerding et al.

[11] **Patent Number: Des. 412,682**

[45] **Date of Patent: ** Aug. 10, 1999**

[54] **TRUCK BODY SIDE PANEL**

[75] Inventors: **Ronald B Gerding; Ralph E Grissom, III**, both of Florence, Ala.

[73] Assignee: **The Heil Co.**, Chattanooga, Tenn.

[**] Term: **14 Years**

[21] Appl. No.: **29/084,695**

[22] Filed: **Mar. 9, 1998**

[51] **LOC (6) Cl.** **12-08**

[52] **U.S. Cl.** **D12/15; D12/98**

[58] **Field of Search** D12/1, 93, 98;
298/22 R, 23 R, 11; 296/184, 291, 56;
414/477

[56] **References Cited**

U.S. PATENT DOCUMENTS

D. 235,528	6/1975	Ahola et al.	D12/15
D. 236,704	9/1975	Smith	D12/15
D. 386,128	11/1997	Gerding et al.	D12/93
4,995,773	2/1991	Lamoureux et al.	414/489
5,681,095	10/1997	Martin	298/22 R

Primary Examiner—Nelson C. Holtje

[57] **CLAIM**

The ornamental design for a truck body side panel, as shown and described.

DESCRIPTION

FIG. 1 is a perspective view of a first embodiment of a truck body side panel showing our new design;

FIG. 2 is a side elevational view of the outer surface thereof;

FIG. 3 is a side elevational view of the interior surface thereof;

FIG. 4 is a front elevational view thereof;

FIG. 5 is a rear elevational view thereof;

FIG. 6 is a top plan view thereof; and

FIG. 7 is a bottom plan view thereof;

FIG. 8 is a side elevational view of the outer surface of a second embodiment of our new design;

FIG. 9 is a side elevational view of the interior surface thereof;

FIG. 10 is a front elevational view thereof;

FIG. 11 is a rear elevational view thereof;

FIG. 12 is a top plan view thereof; and

FIG. 13 is a bottom plan view thereof;

FIG. 14 is a side elevational view of the outer surface of a third embodiment of our new design;

FIG. 15 is a side elevational view of the interior surface thereof;

FIG. 16 is a front elevational view thereof;

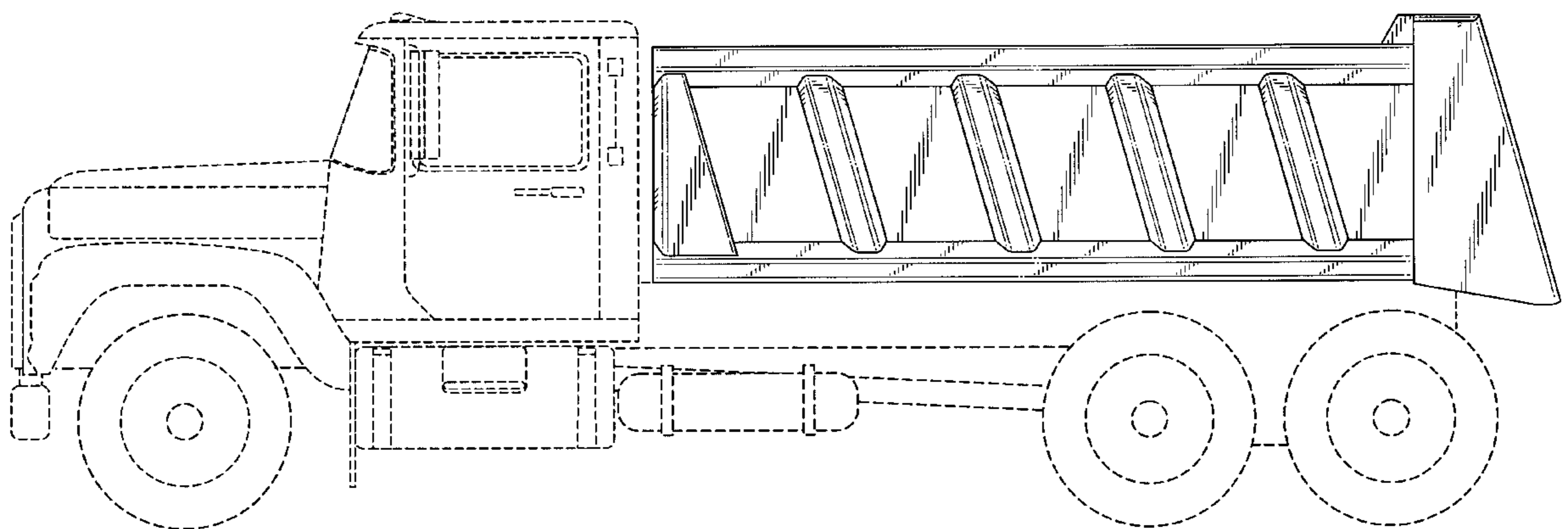
FIG. 17 is a rear elevational view thereof;

FIG. 18 is a top plan view thereof; and,

FIG. 19 is a bottom plan view thereof.

The broken line showings are for illustrative purposes only and form no part of the claimed design.

1 Claim, 7 Drawing Sheets



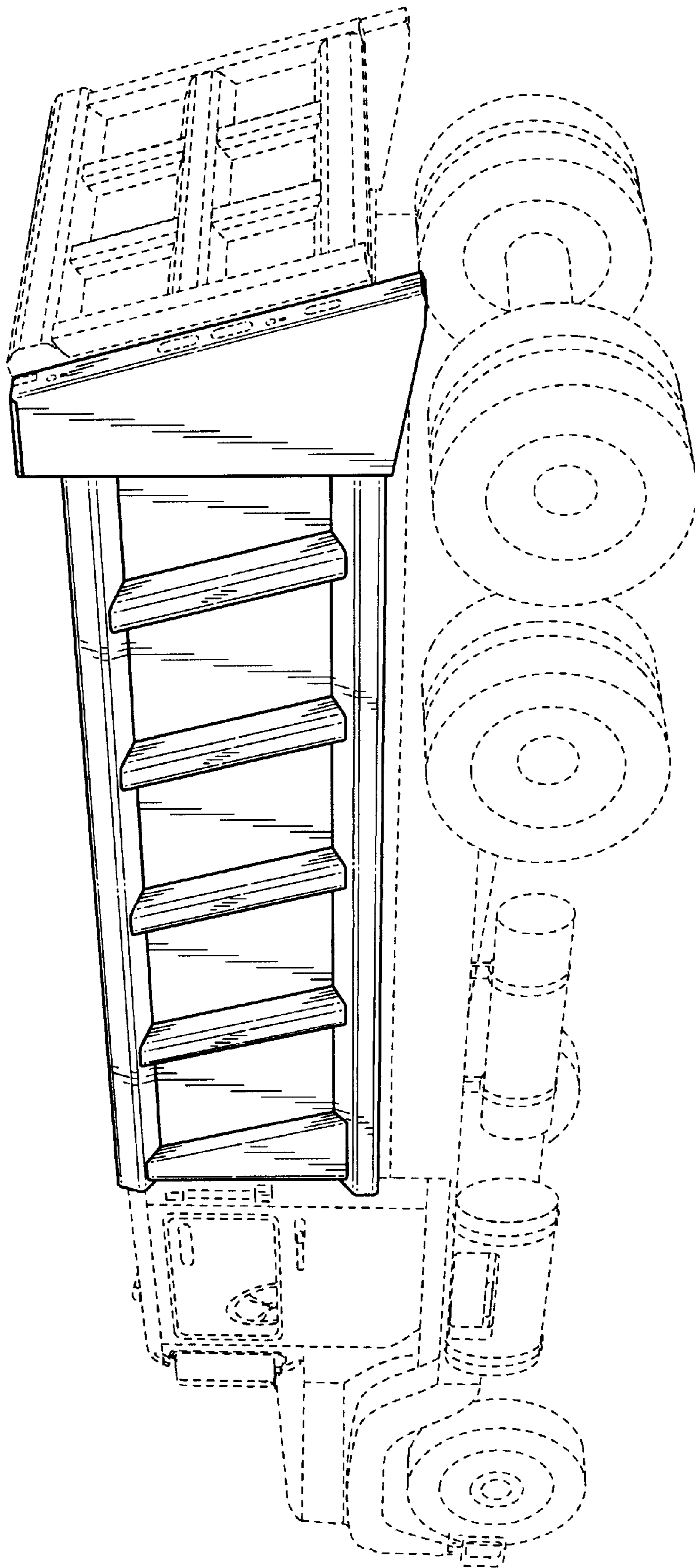
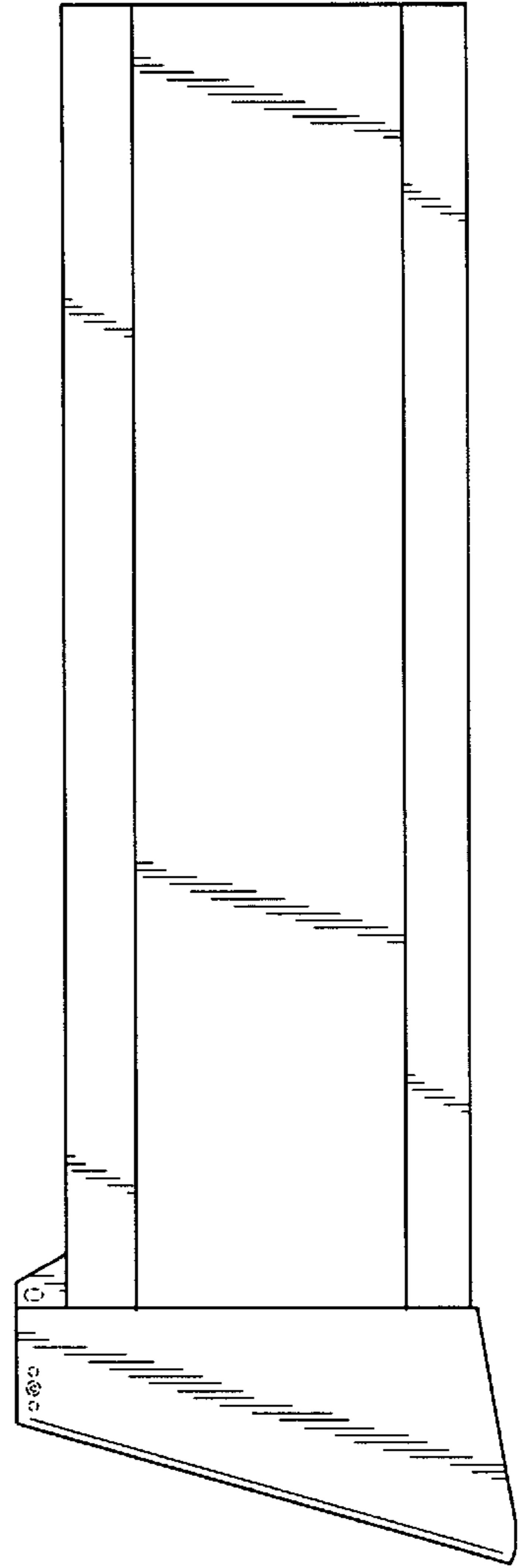
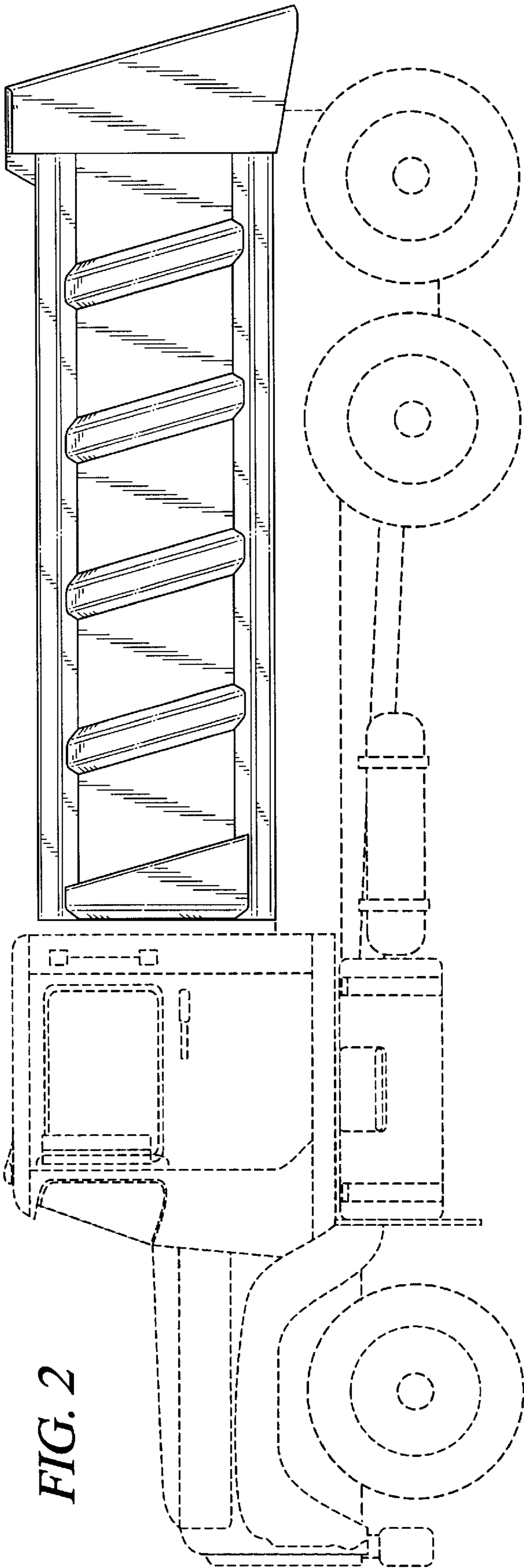


FIG. 1



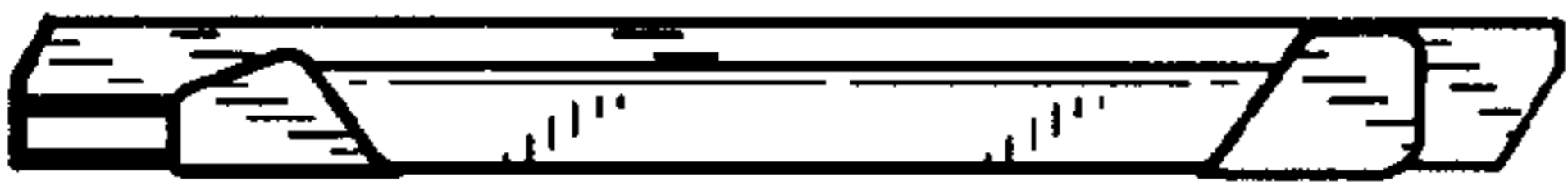


FIG. 4



FIG. 5



FIG. 6



FIG. 7

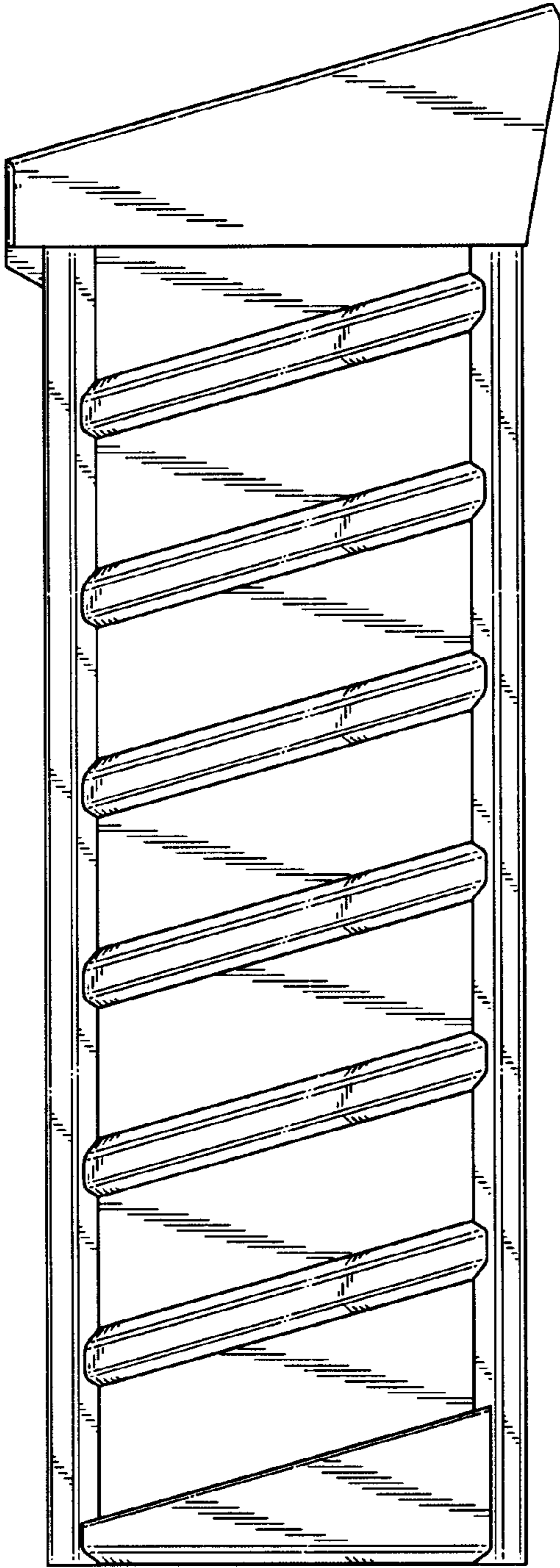


FIG. 8

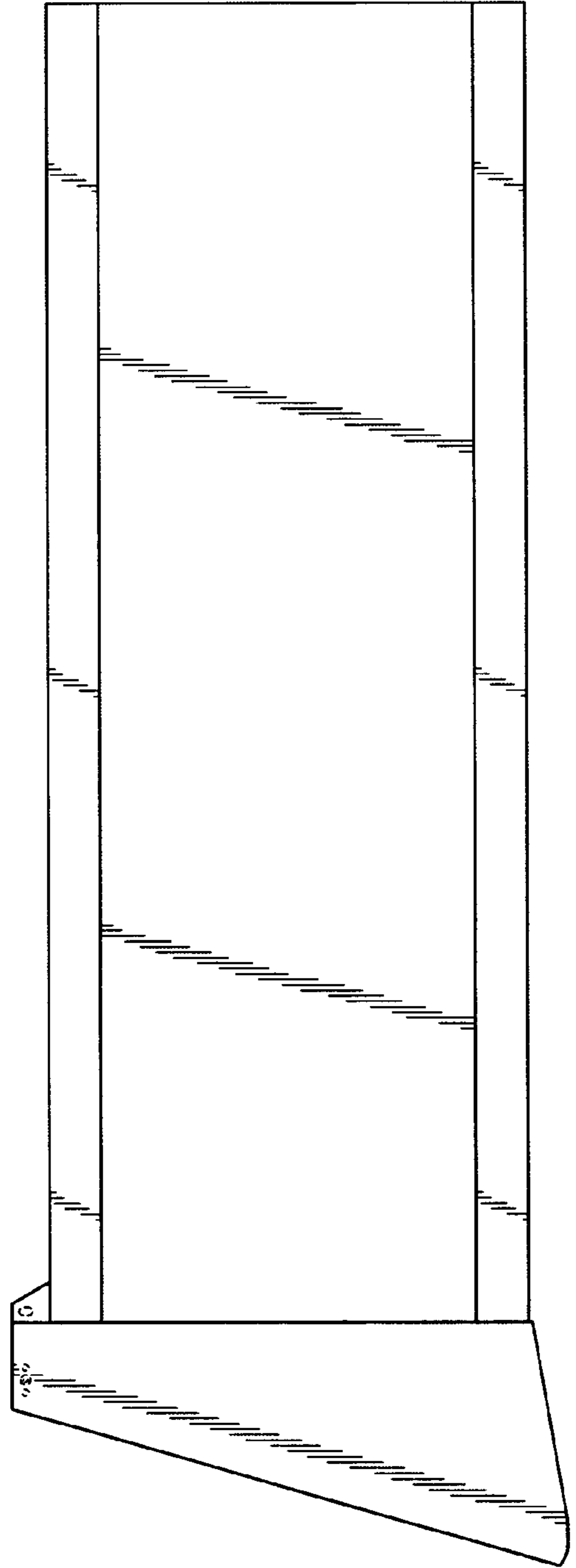


FIG. 9

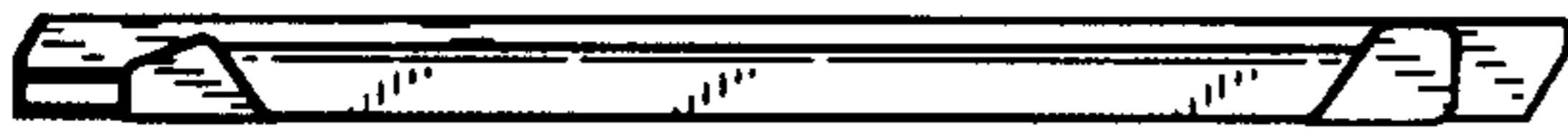


FIG. 10 FIG. 11



FIG. 12



FIG. 13

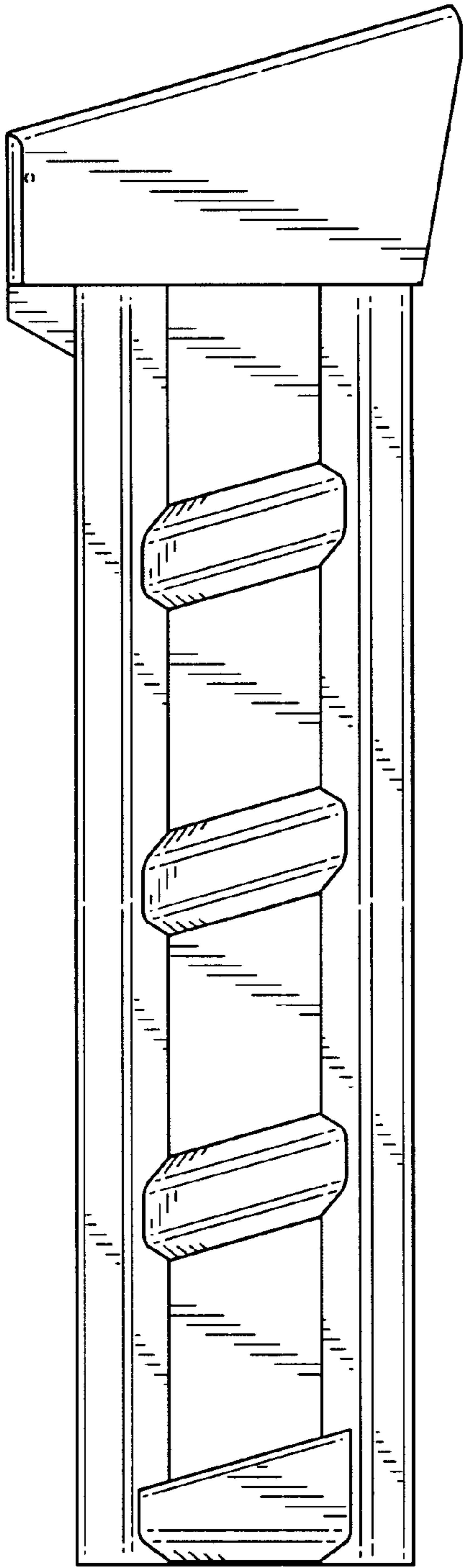


FIG. 14

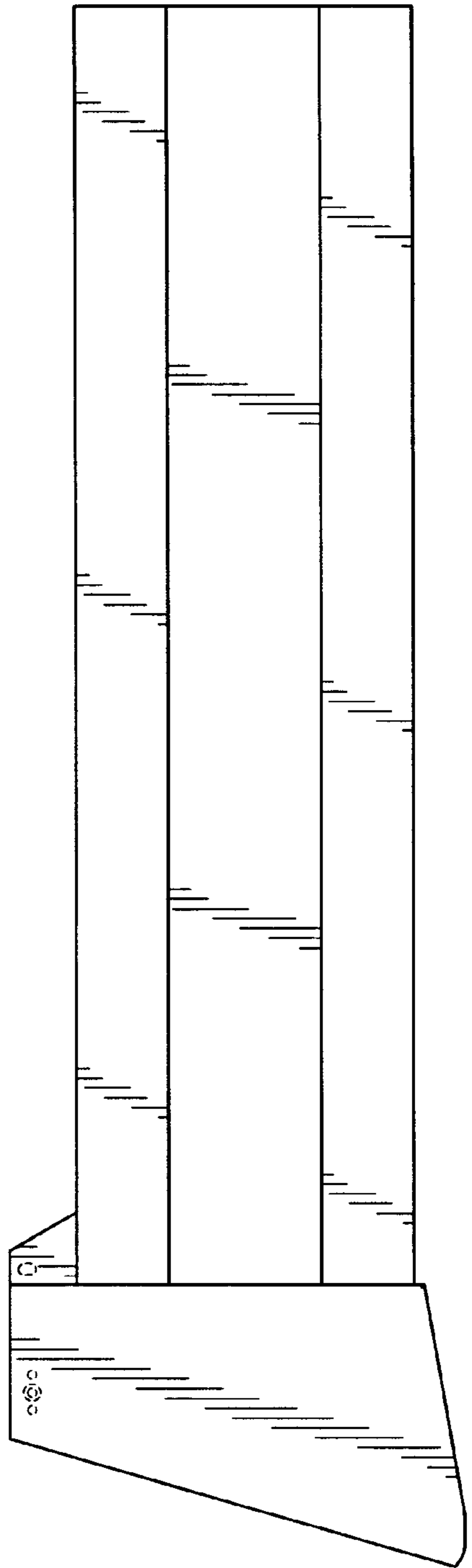


FIG. 15



FIG. 16



FIG. 17



FIG. 18

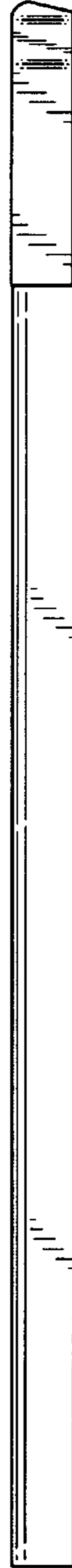


FIG. 19