



US00D412678S

United States Patent [19]

Smith et al.

[11] Patent Number: **Des. 412,678**

[45] Date of Patent: **** Aug. 10, 1999**

[54] **CONTROL PANEL FOR A REMOTE LIGHTED SIREN**

[75] Inventors: **Andrew G. Smith**, Chesterfield, Mo.;
John H. Loudenslager, Phoenix, Ariz.;
Roger L. Miller, Crestwood, Ky.;
William R. Dorr, Phoenix, Ariz.

[73] Assignee: **Code 3, Inc.**, St. Louis, Mo.

[**] Term: **14 Years**

[21] Appl. No.: **29/085,869**

[22] Filed: **Mar. 31, 1998**

[51] **LOC (6) Cl.** **10-05**

[52] **U.S. Cl.** **D10/106**

[58] **Field of Search** D10/104, 106,
D10/116, 121; 340/540, 541, 542, 551,
577, 555, 556, 584, 590; D14/100, 140

[56] **References Cited**

U.S. PATENT DOCUMENTS

- D. 312,221 11/1990 Steele et al. D10/106
- D. 326,619 6/1992 Soloway D10/106

- D. 336,053 6/1993 Hayes et al. D10/106
- D. 345,712 4/1994 Rounds D10/106
- D. 346,755 5/1994 Soloway D10/106
- D. 347,398 5/1994 Hodge D10/106
- D. 349,254 8/1994 Buzzard D10/106
- D. 353,116 12/1994 Huang D10/106
- D. 377,620 1/1997 Battistic D10/106

Primary Examiner—Marcus A. Jackson
Attorney, Agent, or Firm—Senniger, Powers, Leavitt & Roedel

[57] **CLAIM**

The ornamental design for a control panel for a remote lighted siren, as shown and described.

DESCRIPTION

FIG. 1 is a top plan view of a control panel for a remote lighted siren incorporating our new design; FIG. 2 is a front elevational plan view thereof; FIG. 3 is a right end elevation view thereof; FIG. 4 is a left end elevation view thereof; FIG. 5 is a rear elevation view thereof; and, FIG. 6 is a bottom plan view thereof.

1 Claim, 2 Drawing Sheets

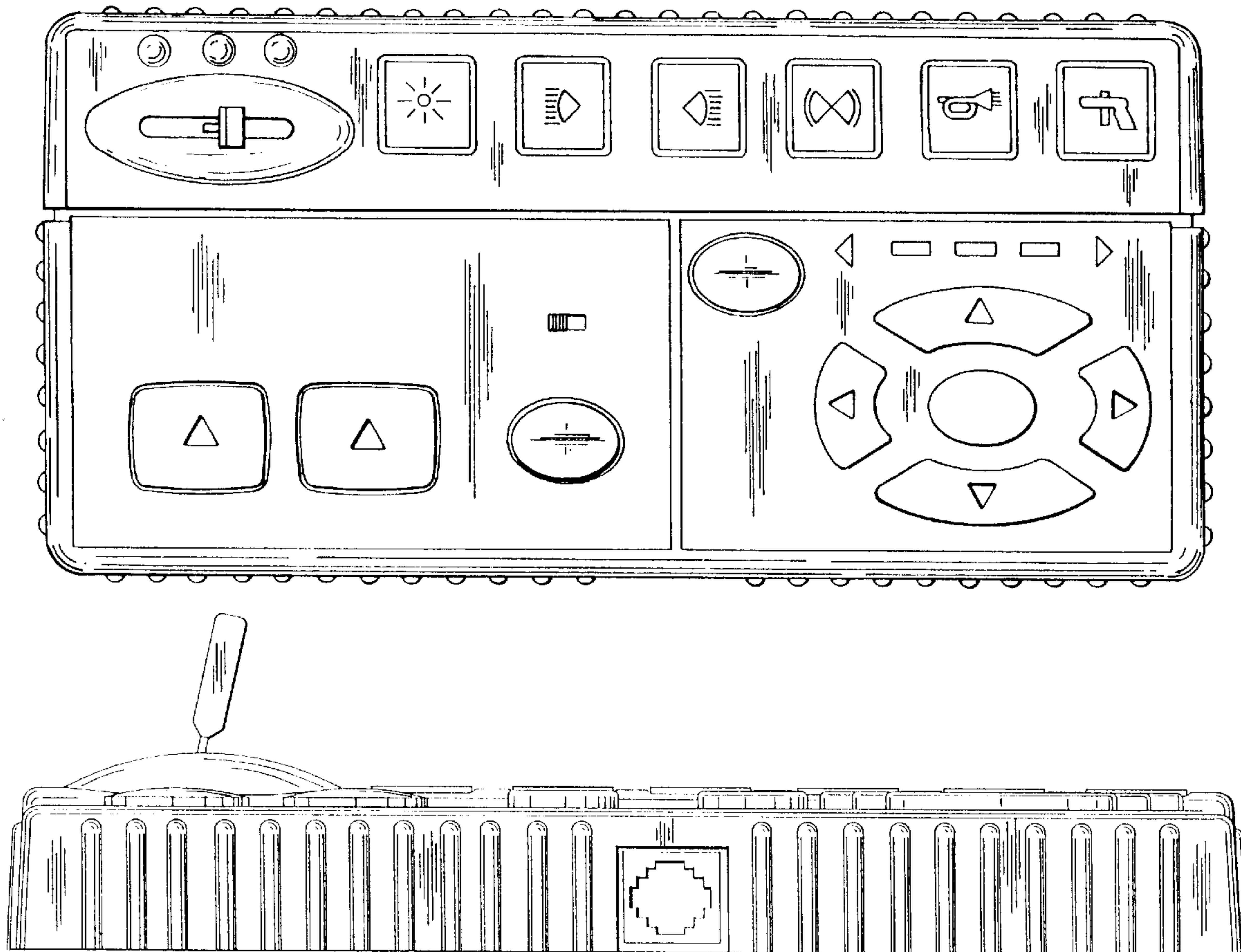


FIG. 1

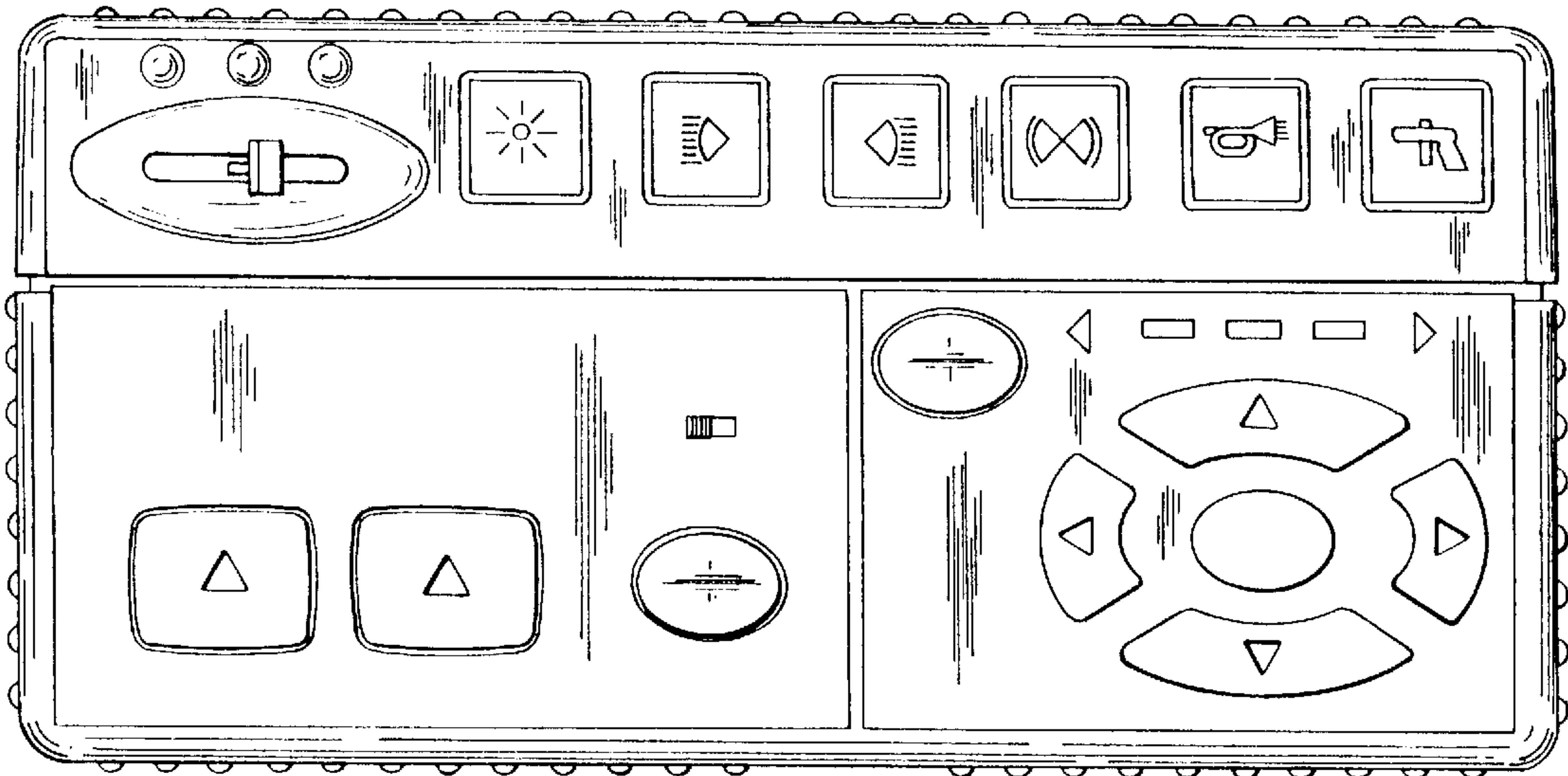


FIG. 2

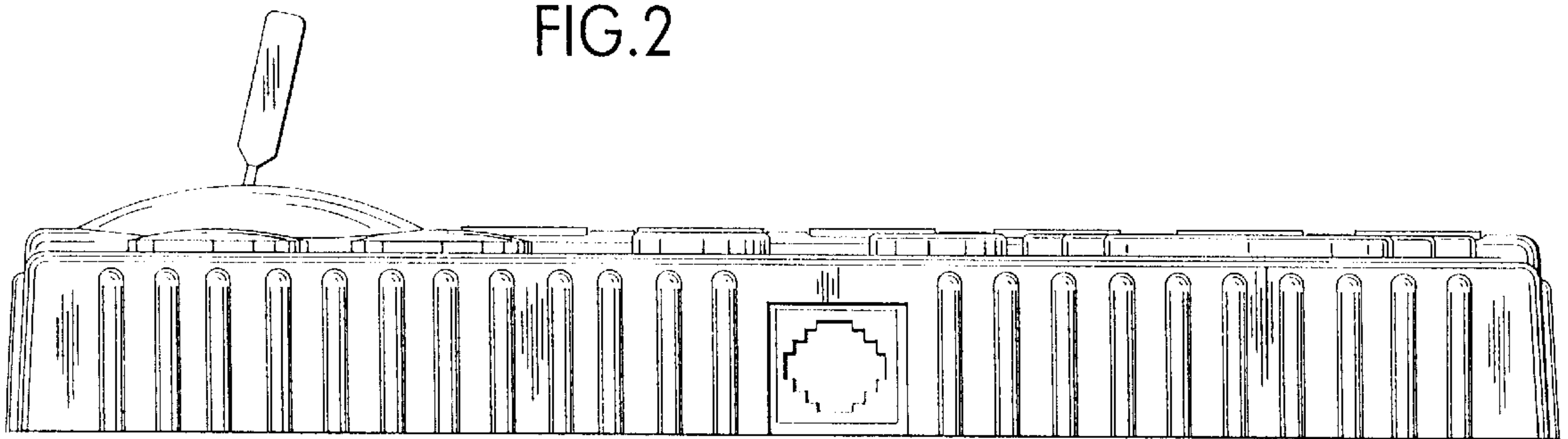


FIG. 3

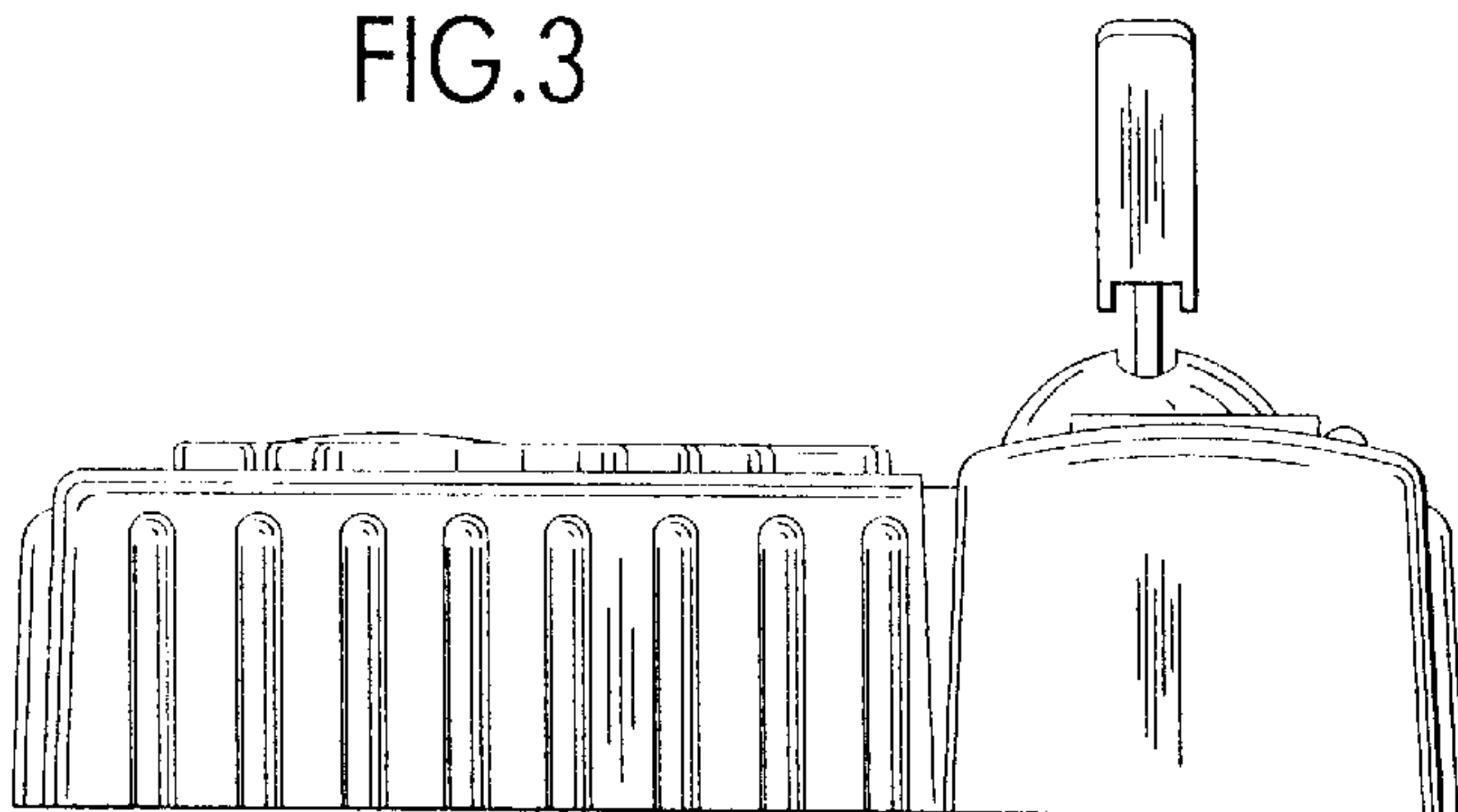


FIG.4

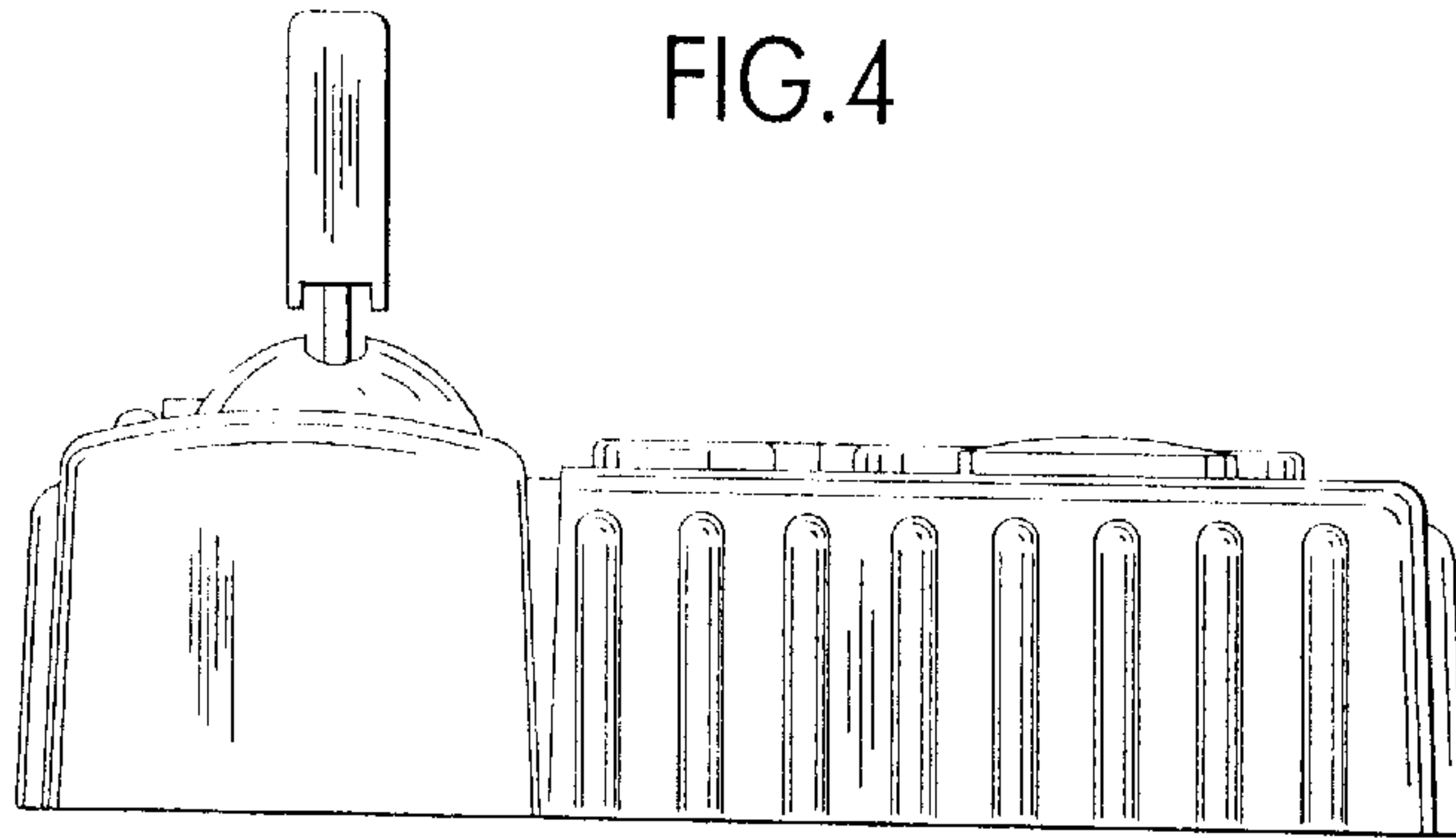


FIG.5

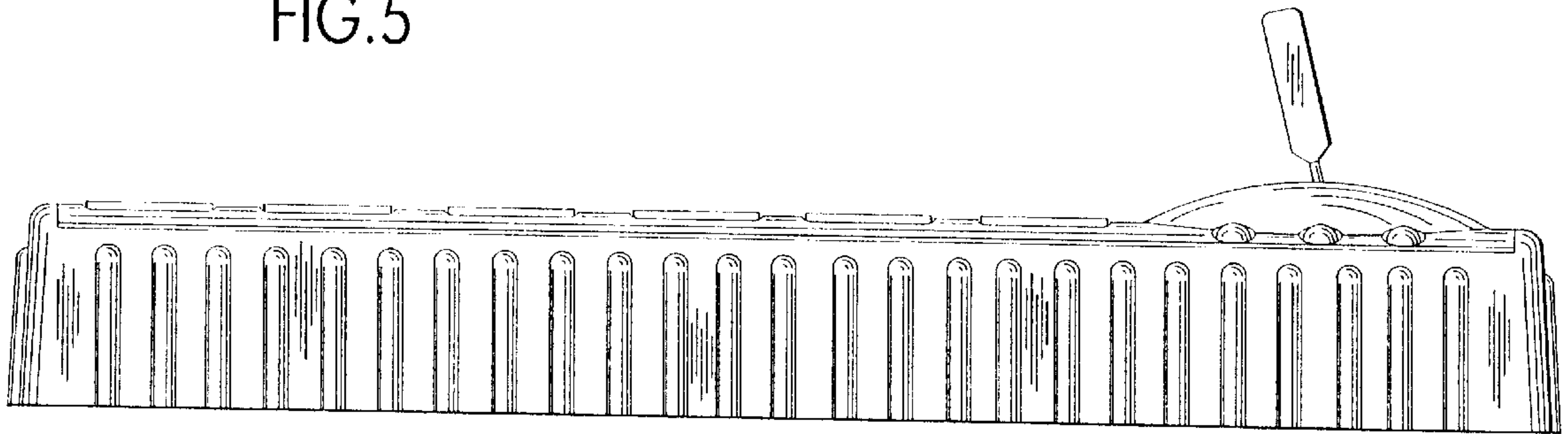


FIG.6

