



US00D412675S

# United States Patent [19] Adler

[11] **Patent Number: Des. 412,675**

[45] **Date of Patent: \*\* Aug. 10, 1999**

[54] **DIGITAL DRUM/ROTOR MICROMETER**

5,249,366 10/1993 Takahashi et al. .... 33/811

[75] Inventor: **Jonathan Adler**, Great Neck, N.Y.

*Primary Examiner*—Antoine Duval Davis  
*Attorney, Agent, or Firm*—Charles I. Brodsky

[73] Assignee: **Flexbar Machine Corporation**,  
Islandia, N.Y.

[57] **CLAIM**

[\*\*] Term: **14 Years**

The ornamental design for a digital drum/rotor micrometer,  
as shown and described.

[21] Appl. No.: **29/092,584**

**DESCRIPTION**

[22] Filed: **Aug. 24, 1998**

[51] **LOC (6) Cl.** ..... **10-04**

[52] **U.S. Cl.** ..... **D10/73**

[58] **Field of Search** ..... D10/73; 33/783-832,  
33/DIG. 12

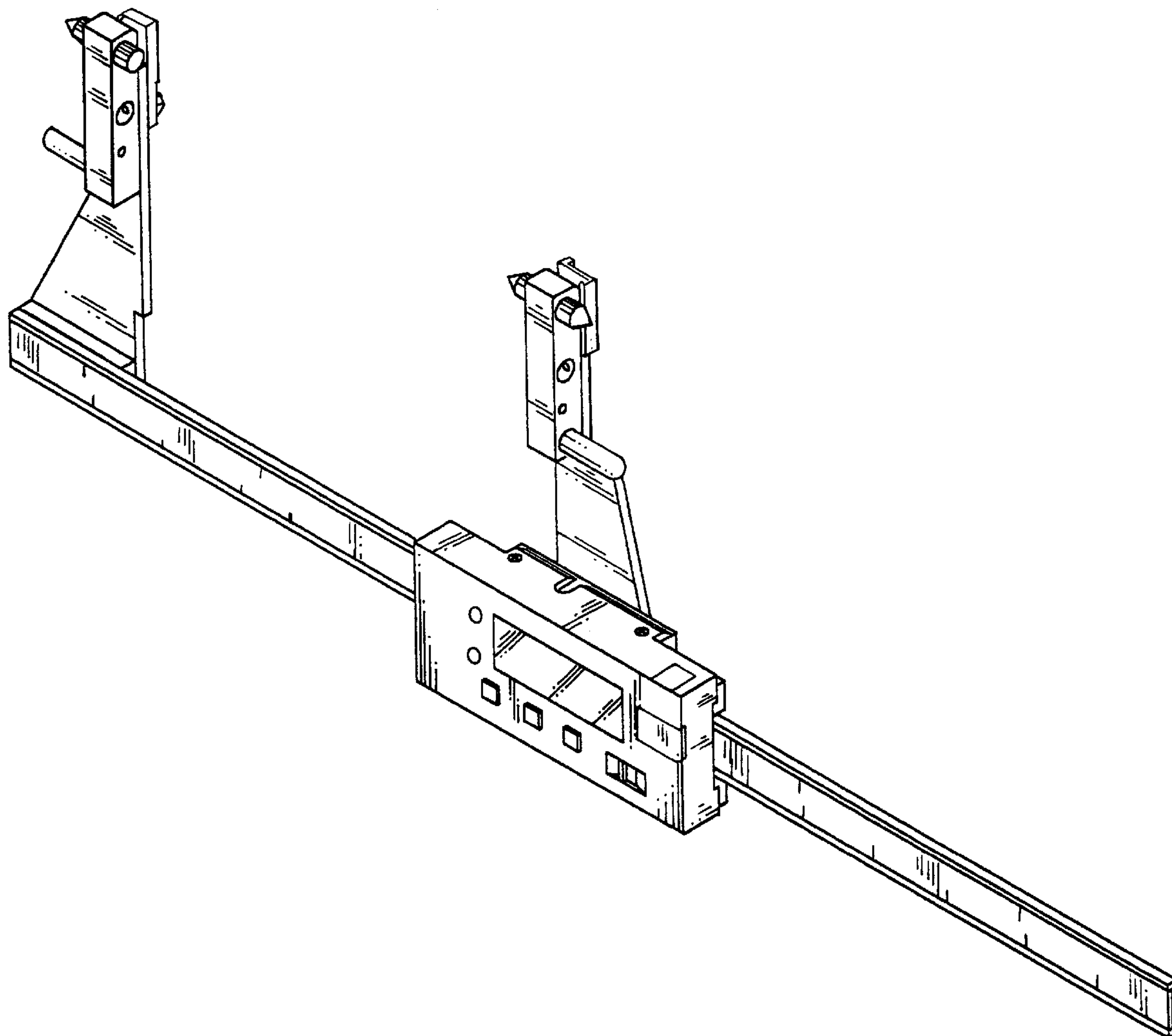
FIG. 1 is a perspective view of a digital drum/rotor micrometer showing my new design;  
FIG. 2 is a front plan view thereof;  
FIG. 3 is a rear plan view;  
FIG. 4 is a left side elevation view, showing my new design;  
FIG. 5 is a right side elevation view;  
FIG. 6 is top plan view thereof; and,  
FIG. 7 is bottom plan view.

[56] **References Cited**

**U.S. PATENT DOCUMENTS**

D. 399,770 10/1998 Adler ..... D10/73

**1 Claim, 5 Drawing Sheets**



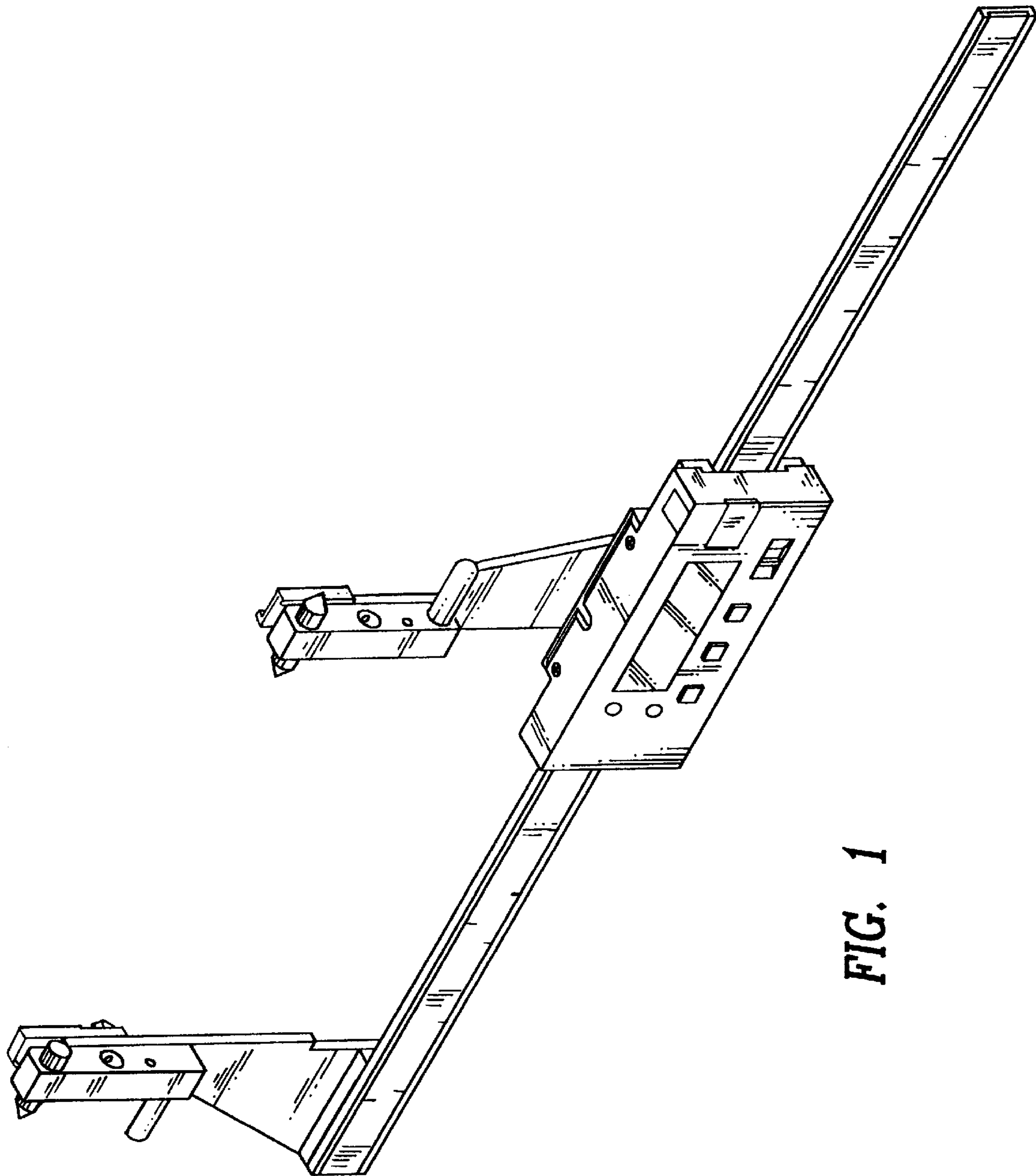


FIG. 1

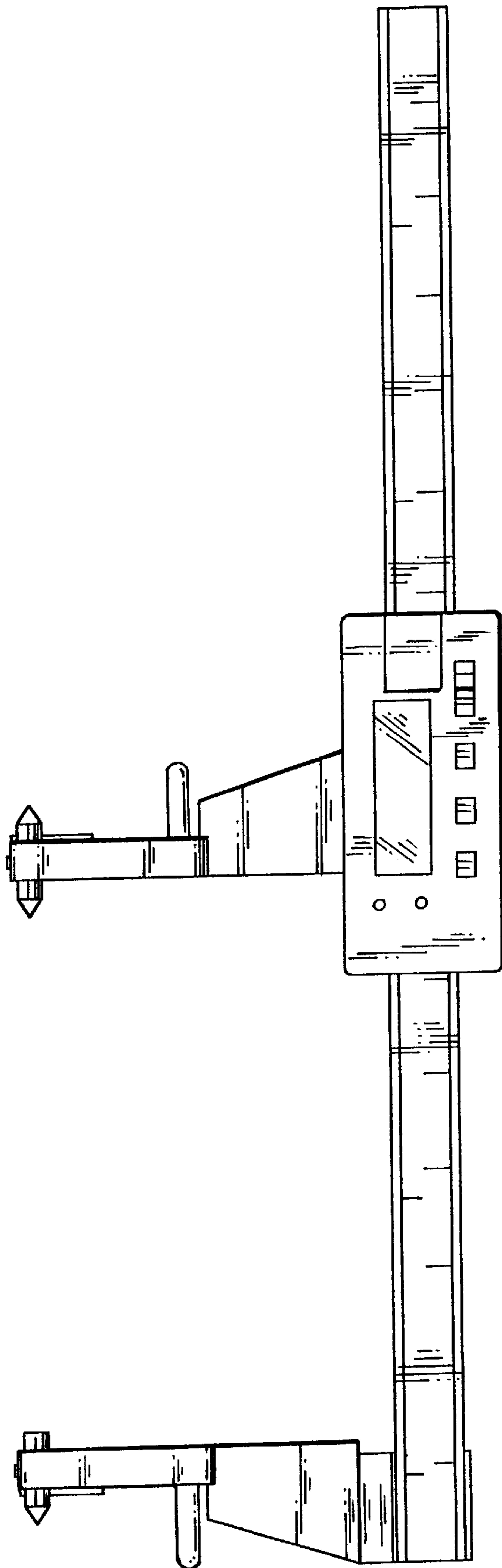


FIG. 2

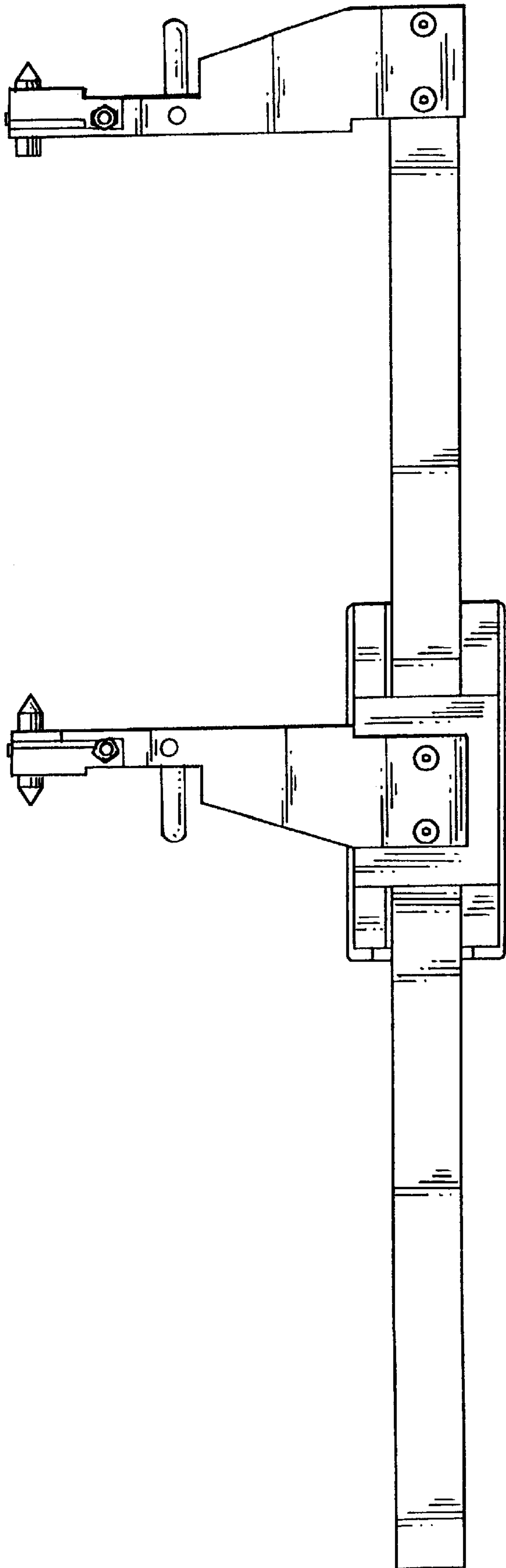
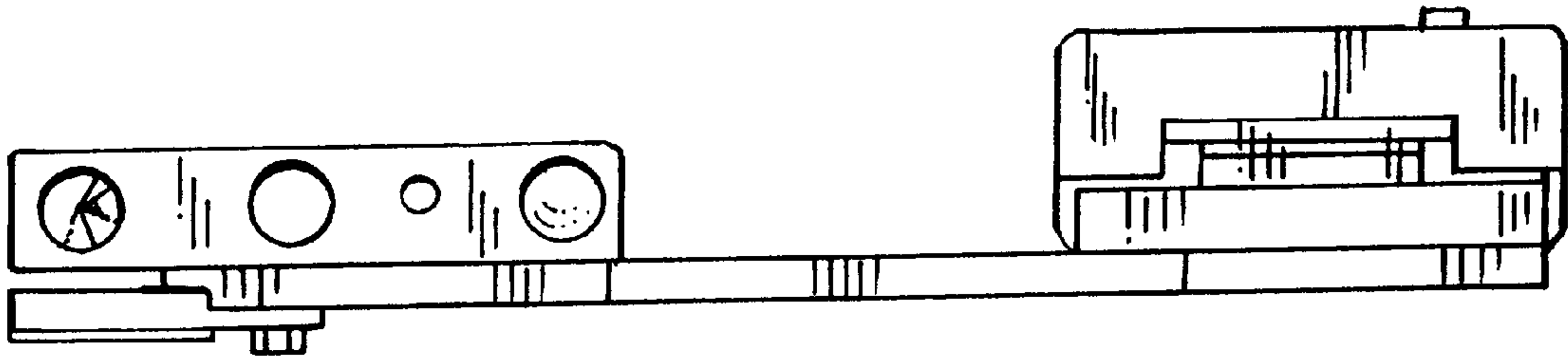
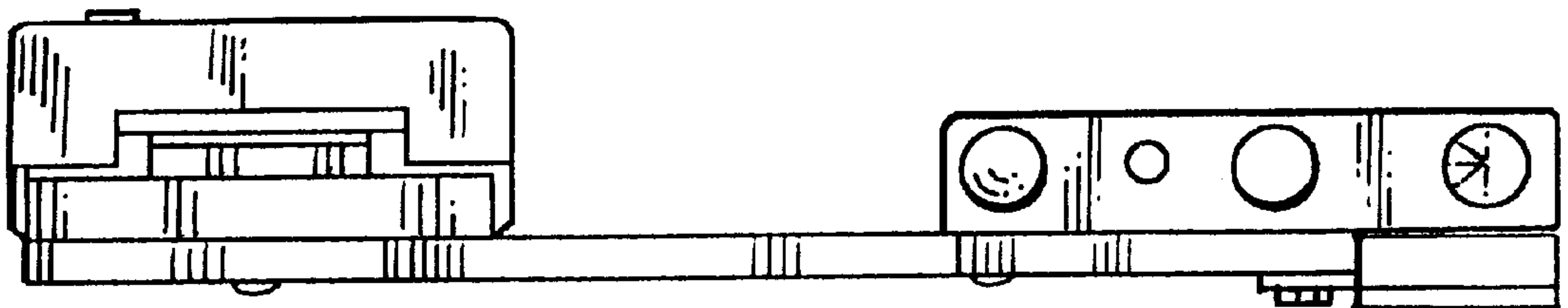


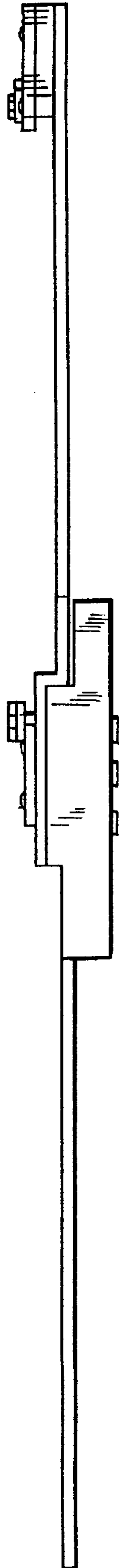
FIG. 3



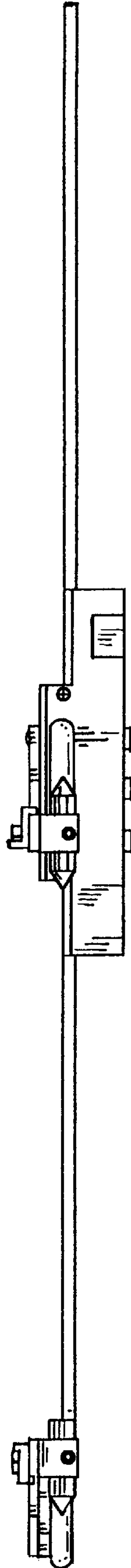
**FIG. 4**



**FIG. 5**



**FIG. 7**



**FIG. 6**