



US00D412672S

United States Patent [19]

Ohlwine et al.

[11] Patent Number: **Des. 412,672**

[45] Date of Patent: **** Aug. 10, 1999**

[54] THERMOSTAT

Primary Examiner—Antoine Duval Davis

[75] Inventors: **Brian S. Ohlwine**, Zanesville; **Michael A. Roher**, Fort Wayne, both of Ind.

[57] **CLAIM**

The ornamental design for a thermostat, as shown and described.

[73] Assignee: **Carrier Corporation**, Syracuse, N.Y.

[**] Term: **14 Years**

DESCRIPTION

[21] Appl. No.: **29/097,731**

FIG. 1 is a perspective view illustrating the front, right side and bottom of the thermostat;

[22] Filed: **Dec. 11, 1998**

FIG. 2 is a top view of the thermostat;

[51] **LOC (6) Cl.** **10-04**

[52] **U.S. Cl.** **D10/50; D10/49**

FIG. 3 is a front view of the thermostat;

[58] **Field of Search** D10/49, 50; 200/343; 236/46 R, 47, 49.3, 51, 84, 94; 361/680, 681; 400/495

FIG. 4 is a left side view of the thermostat;

FIG. 5 is a right side view of the thermostat; and,

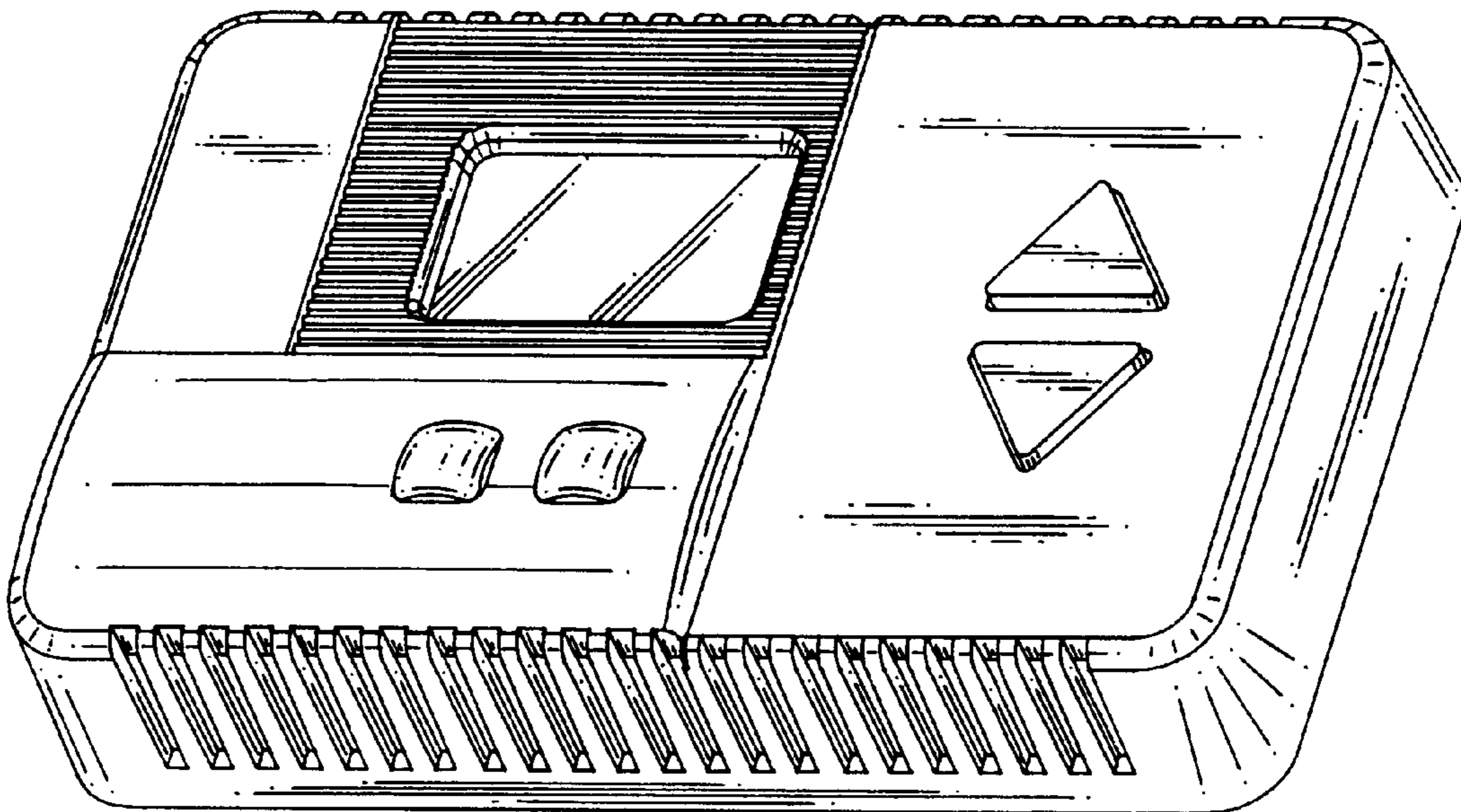
FIG. 6 is a bottom view of the thermostat.

[56] **References Cited**

U.S. PATENT DOCUMENTS

D. 403,972 1/1999 Gaskell et al. D10/50

1 Claim, 2 Drawing Sheets



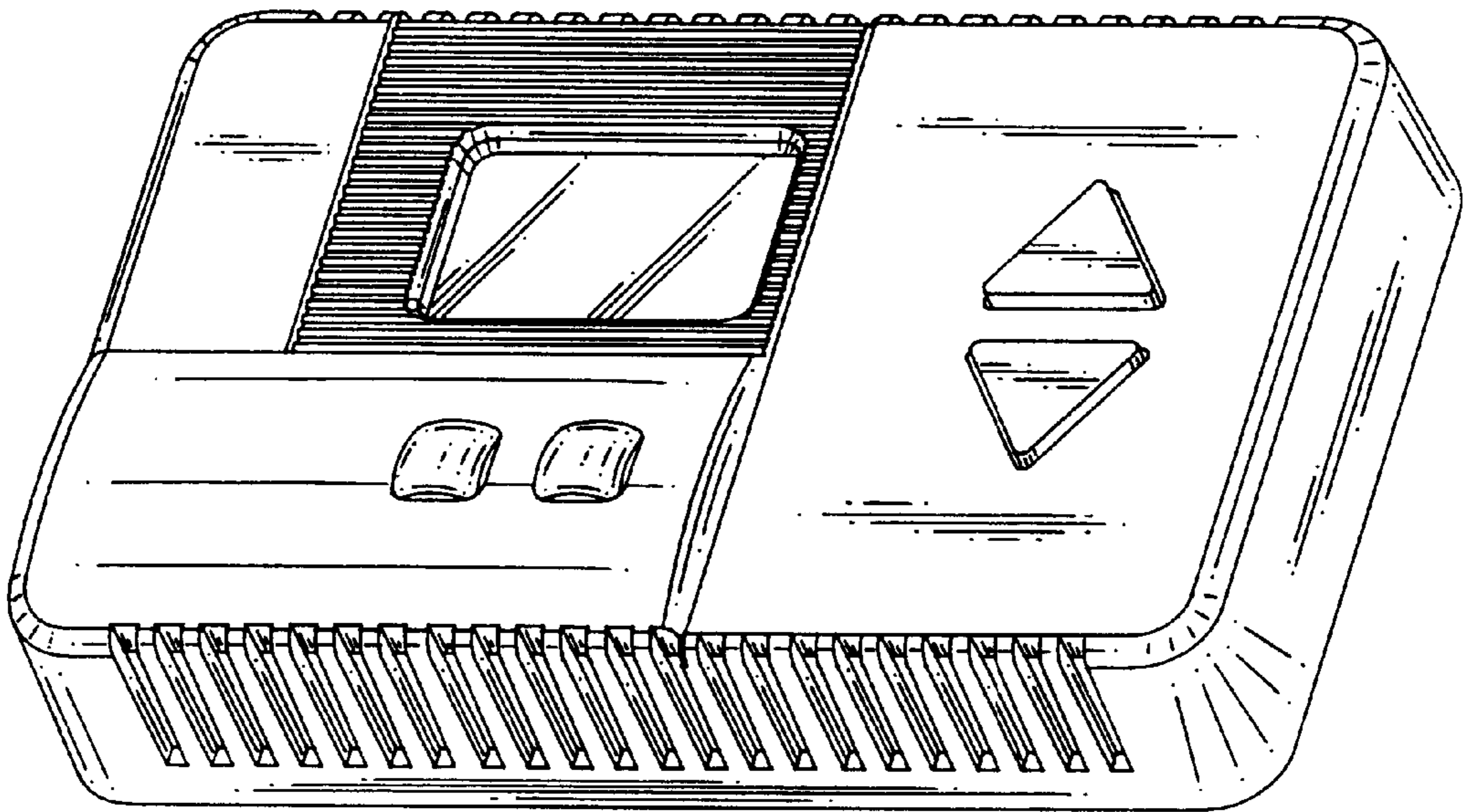


FIG. 1

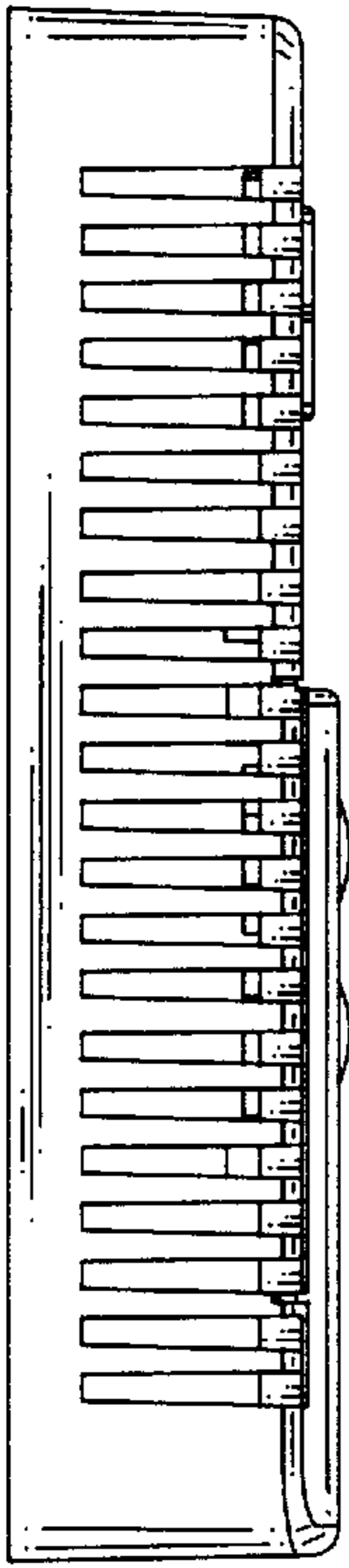


FIG. 2

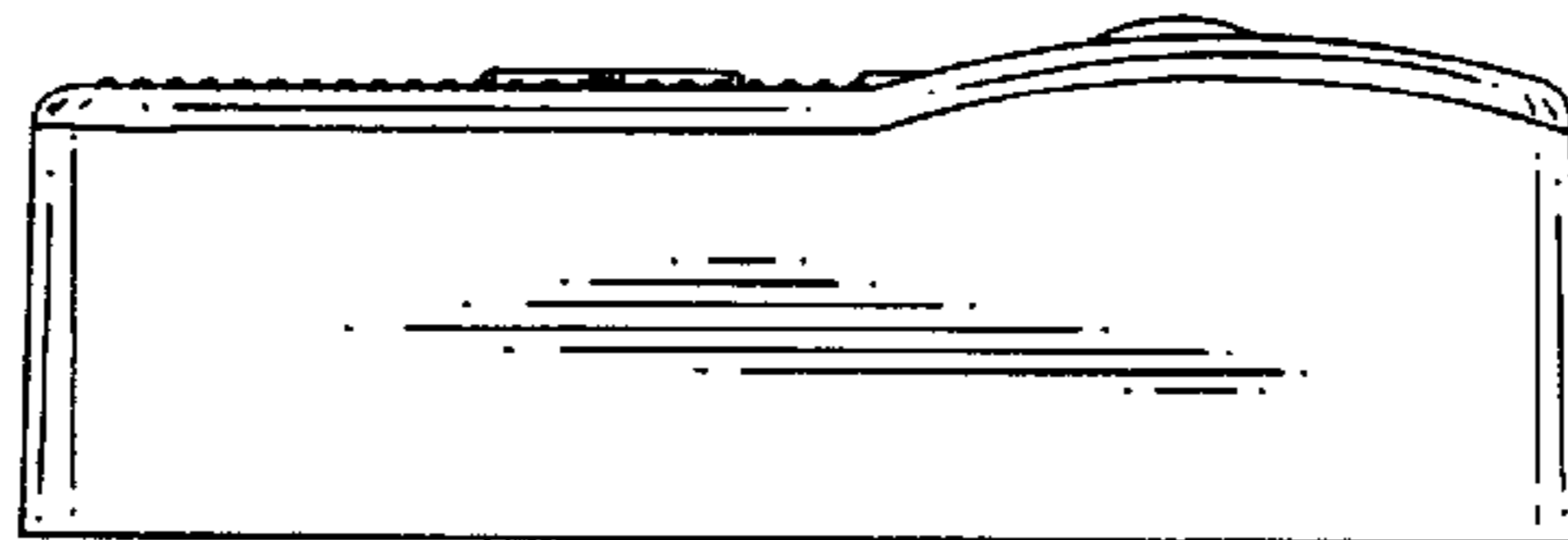


FIG. 4

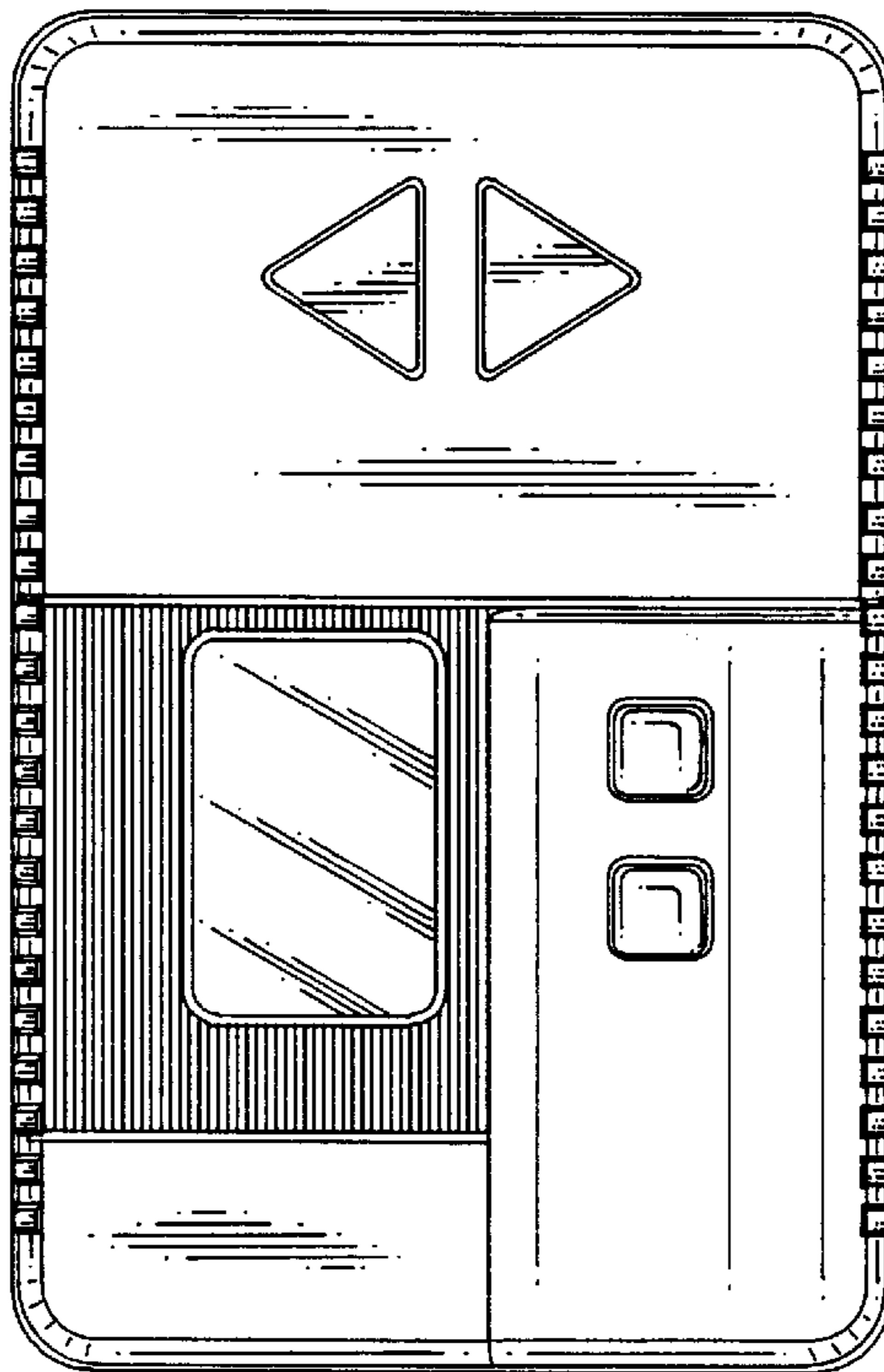


FIG. 3

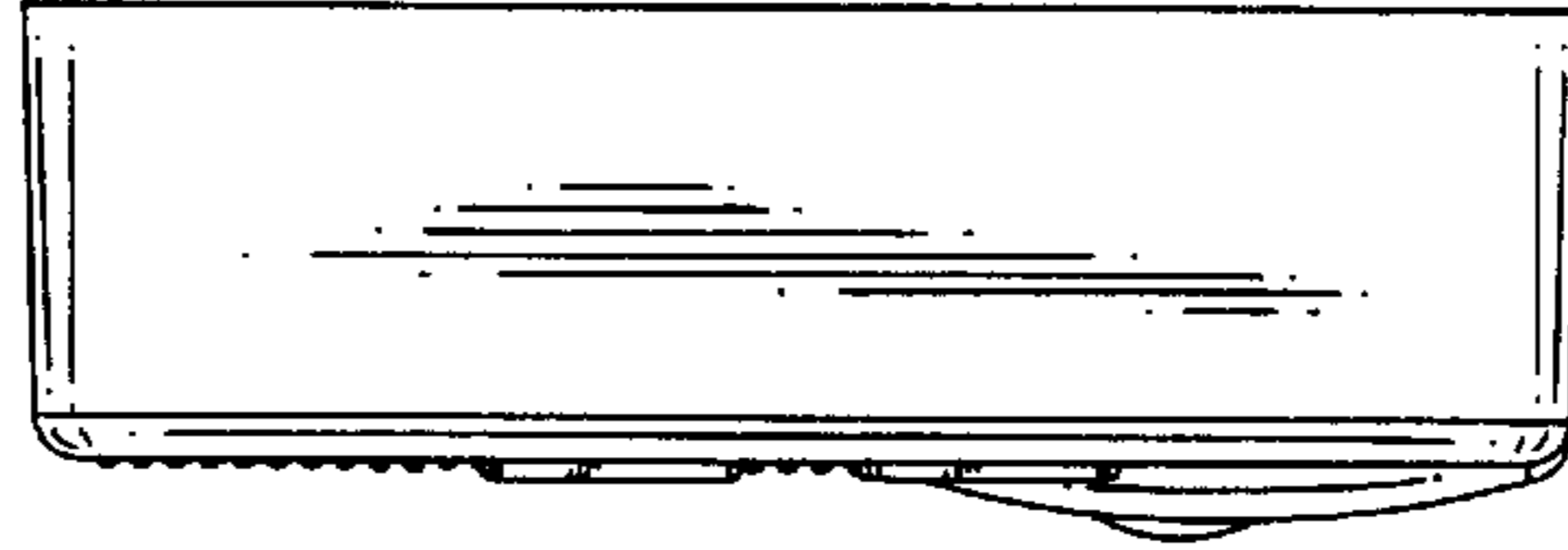


FIG. 5

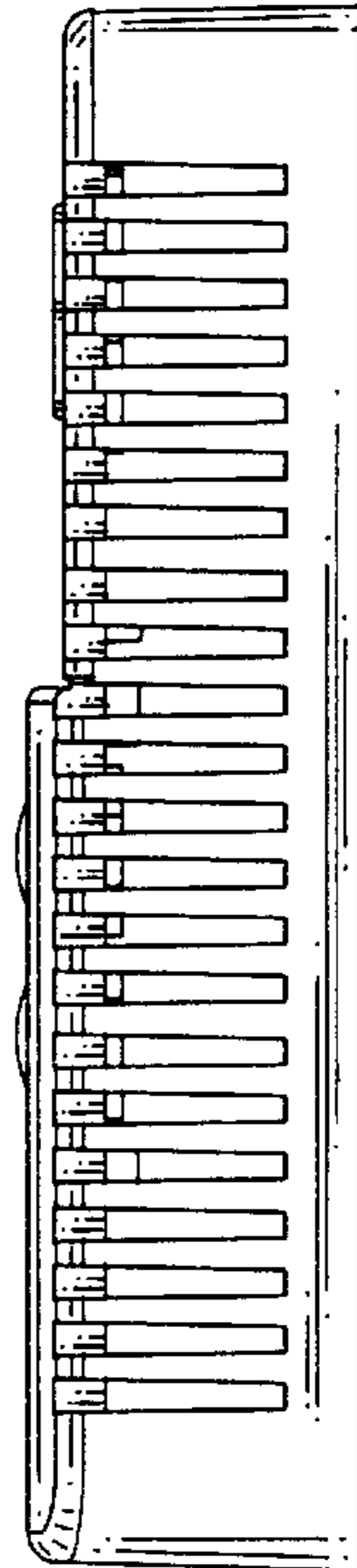


FIG. 6