



US00D412657S

United States Patent [19] Gray

[11] **Patent Number: Des. 412,657**

[45] **Date of Patent: ** Aug. 10, 1999**

[54] **VARIABLE INNER DIAMETER TUBE
SUPPORT WITH CRISS-CROSS ANCHORING
HOLES**

1,224,607 5/1917 Craven .
3,316,794 5/1967 Dixon .
4,063,567 12/1977 Martin et al. 135/15 PE
4,795,294 1/1989 Takada et al. 411/439
5,709,059 1/1998 Murphy et al. .

[76] Inventor: **Gene W. Gray**, 2673 Preston Pl., Salt
Lake City, Utah 84106

Primary Examiner—Susan J. Lucas
Assistant Examiner—Cynthia E. Ramirez

[**] Term: **14 Years**

[57] **CLAIM**

[21] Appl. No.: **29/066,570**

The ornamental design for a variable inner diameter tube support with criss-cross anchoring holes, as shown.

[22] Filed: **Feb. 18, 1997**

DESCRIPTION

[51] **LOC (6) Cl.** **08-05**

[52] **U.S. Cl.** **D8/354**

[58] **Field of Search** D8/358, 354; 411/439,
411/457, 458, 469, 922, 470; 248/493,
547, 224.4, 225.1

FIG. 1 is a perspective view for a variable inner tube diameter tube support with criss-cross anchoring holes showing my design.

FIG. 2 is a front view.

FIG. 3 is a side view; and,

FIG. 4 is a bottom view.

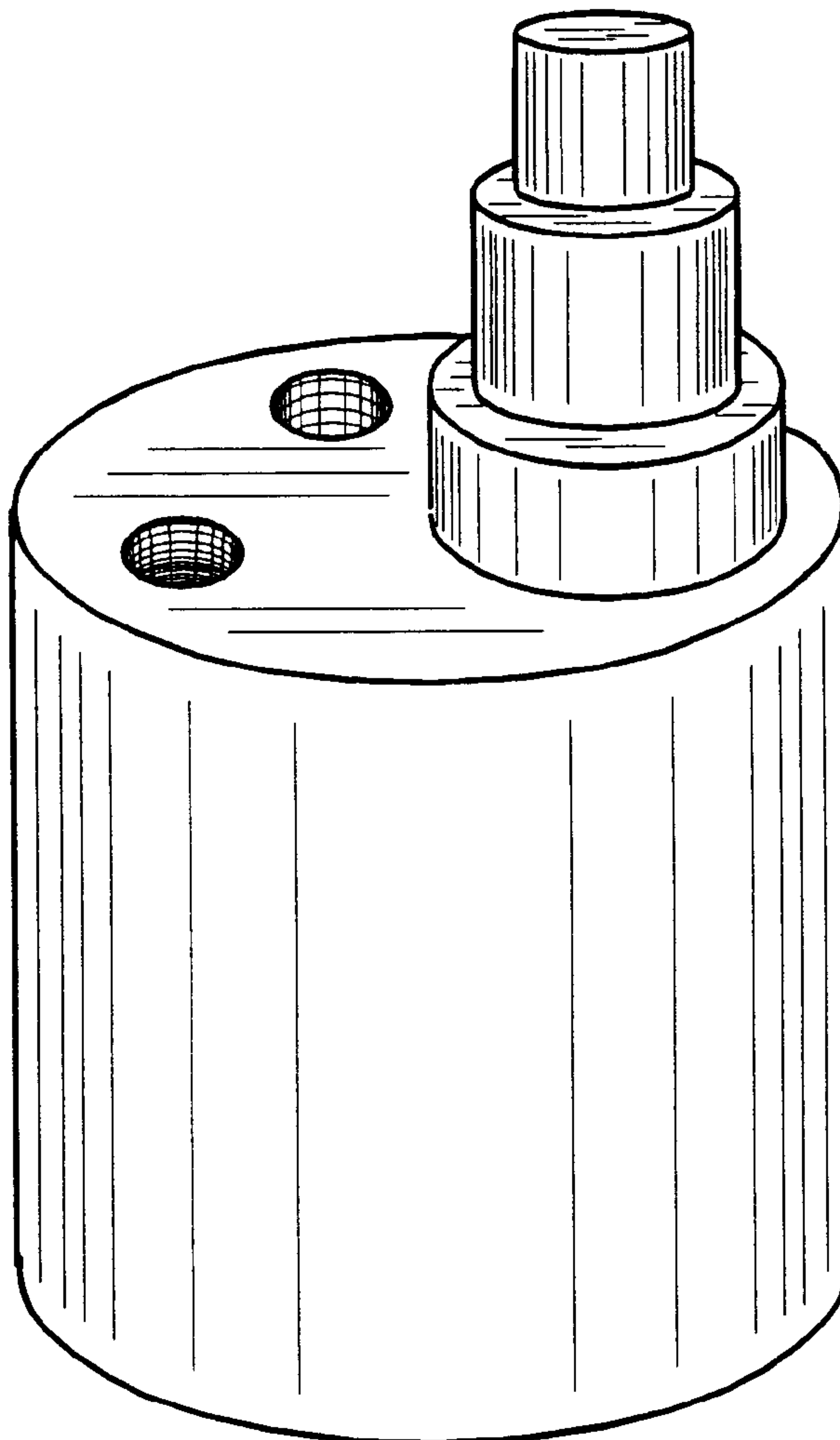
The cross hatching shading applied to the holes in FIGS. 1 and 4 have been used to clearly show the slanted configuration of the openings running through the tube support.

[56] **References Cited**

U.S. PATENT DOCUMENTS

361,985 4/1887 Bush .
D. 380,959 7/1997 Mitchell D8/354
957,641 5/1910 Ashworth 411/439
1,224,426 5/1917 Steele, Jr. .

1 Claim, 2 Drawing Sheets



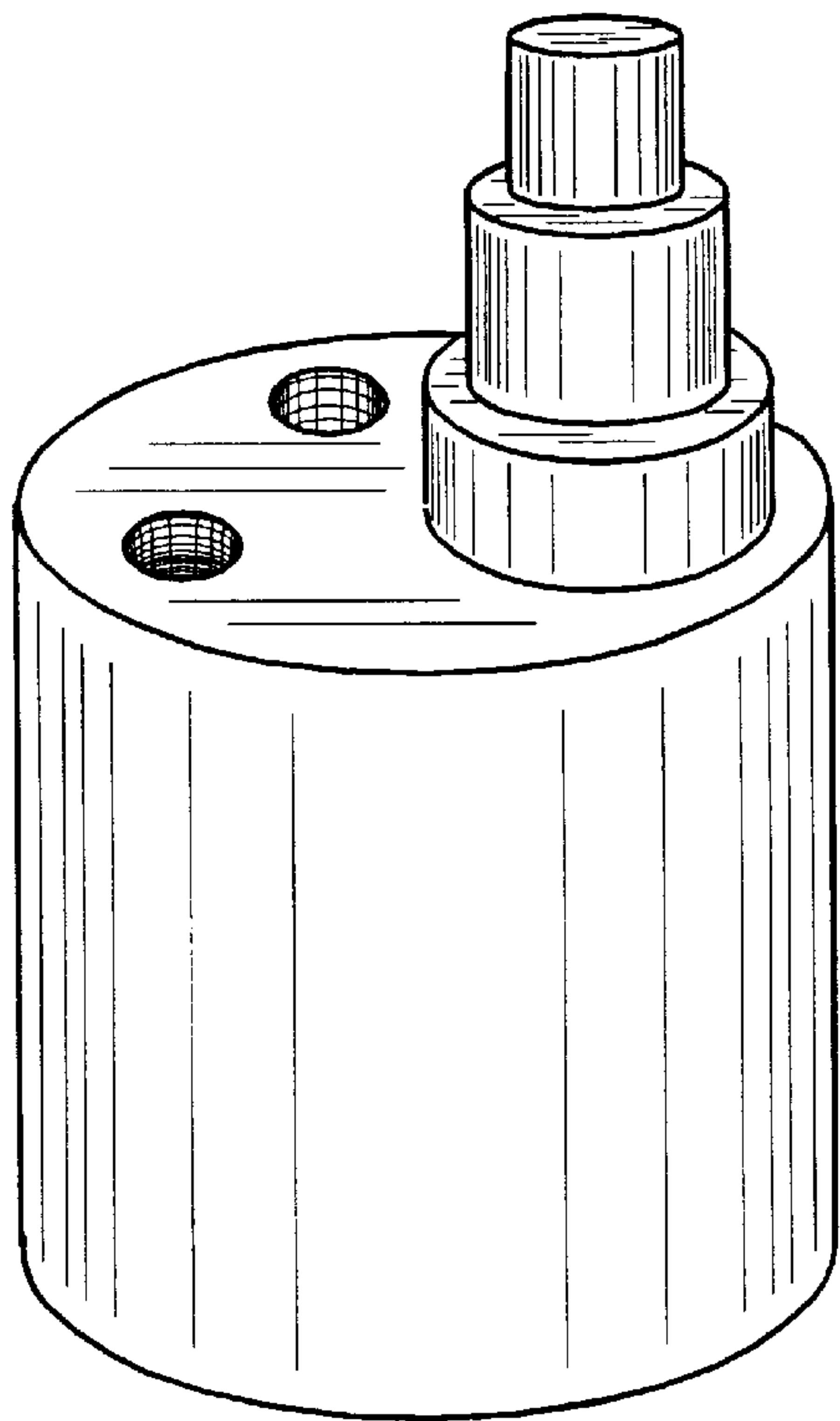


FIGURE 1

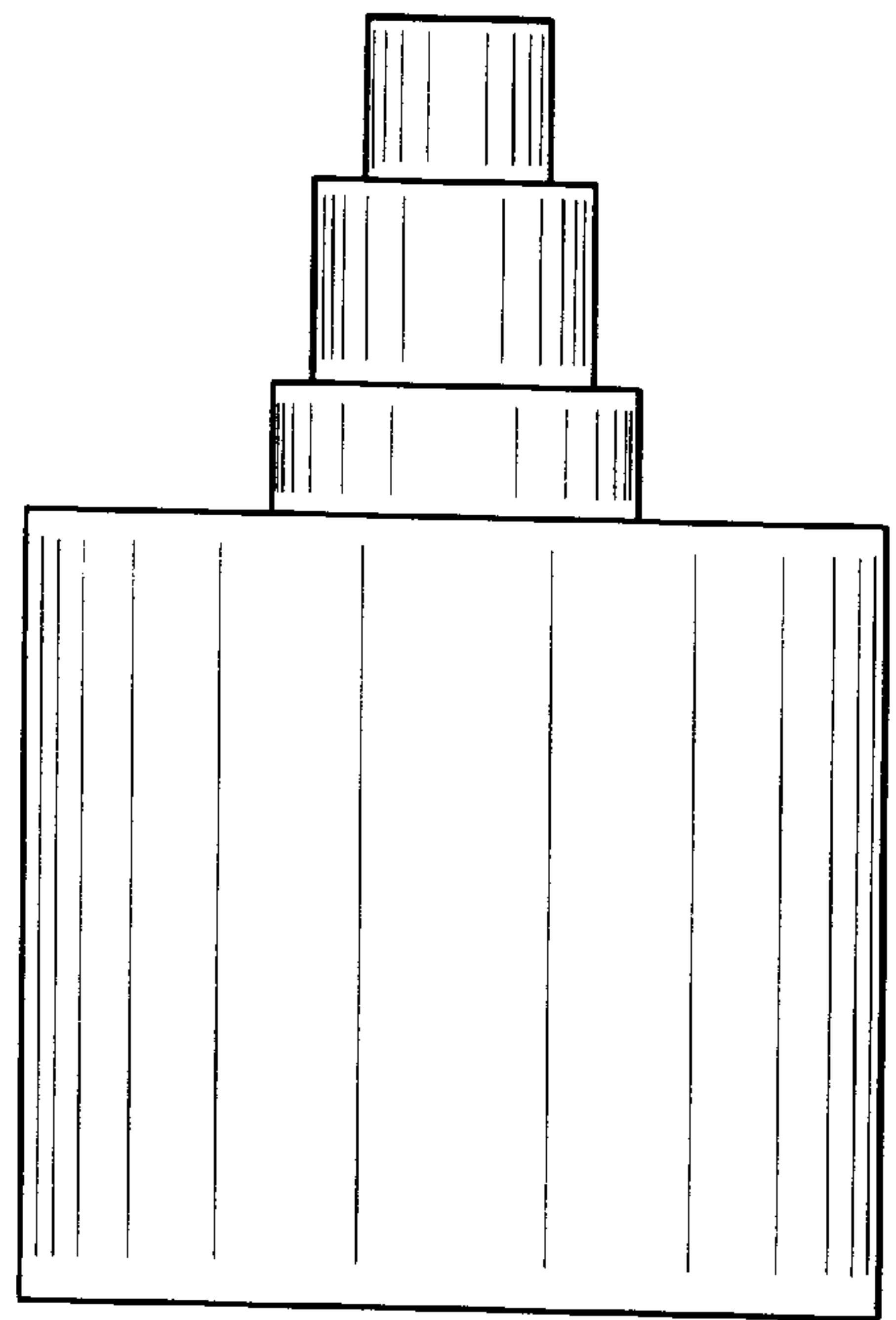


Figure 2

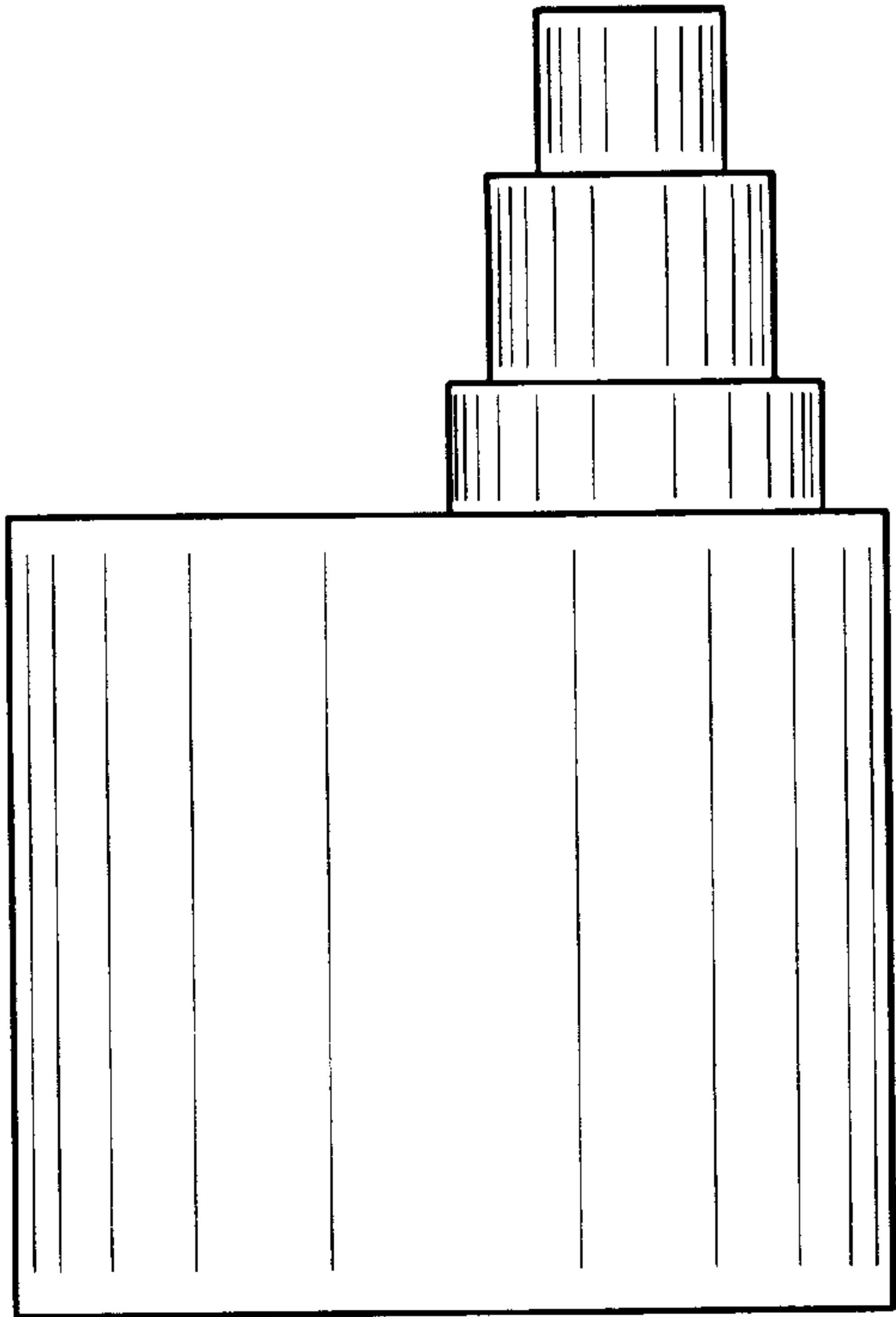


Figure 3

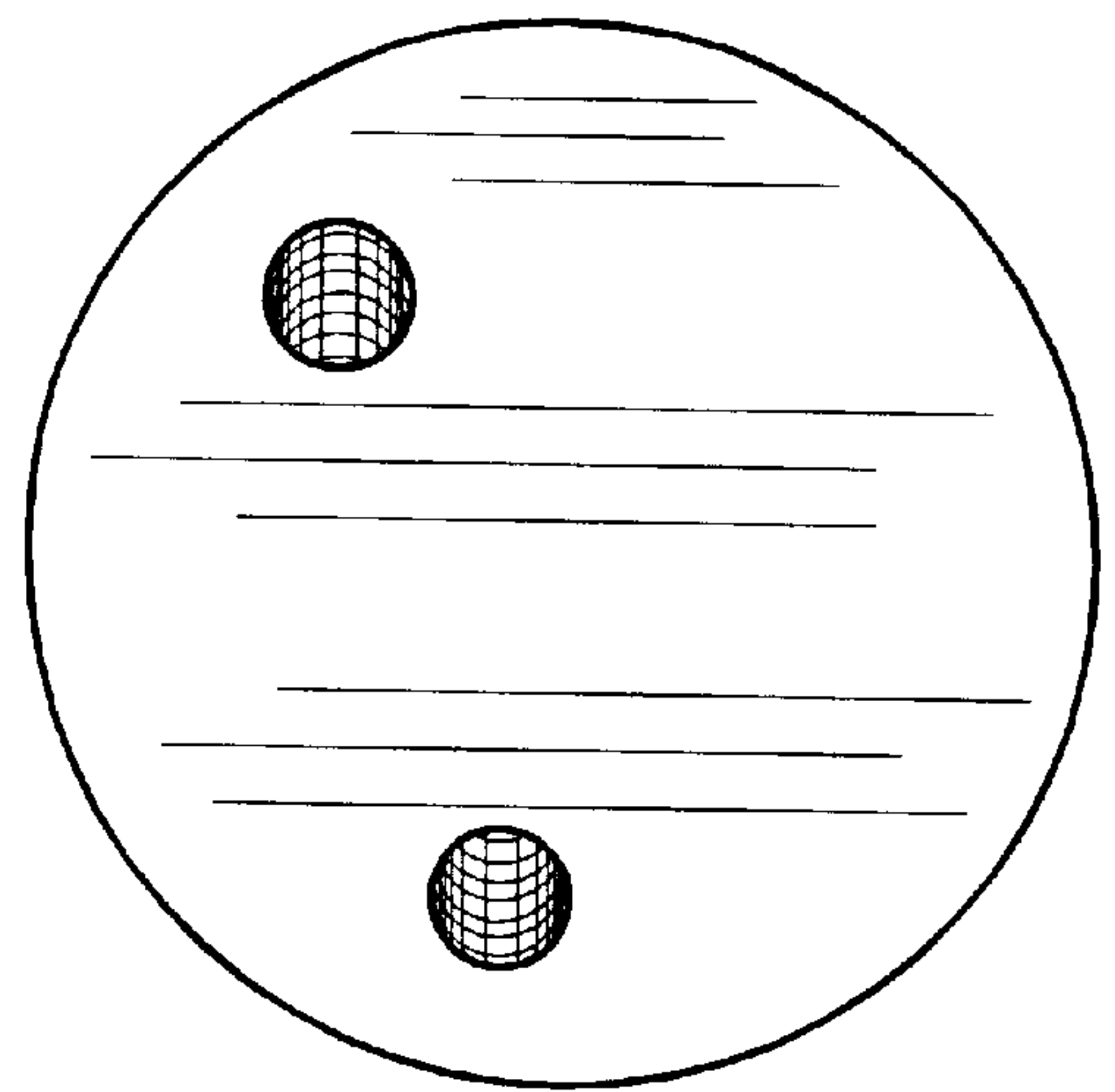


Figure 4