



US00D412652S

# United States Patent [19]

[11] **Patent Number: Des. 412,652**

**Dürr et al.**

[45] **Date of Patent: \*\* Aug. 10, 1999**

[54] **POWER SAW**

D. 364,326	11/1995	Lohse et al. ....	D8/65
4,602,656	7/1986	Nagashima et al. ....	D18/65 X
5,855,067	1/1999	Taomo et al. ....	30/383 X

[75] Inventors: **Bernhard Dürr**, Stuttgart; **Karl-Heinz Klöpfer**, Winnenden; **Michael Tinius**, Elchingen, all of Germany

*Primary Examiner*—Antoine Duval Davis  
*Attorney, Agent, or Firm*—Robert W. Becker & Associates

[73] Assignee: **Andreas Stihl AG & Co.**, Waiblingen, Germany

### [57] CLAIM

[\*\*] Term: **14 Years**

The ornamental design for a power saw, as shown.

[21] Appl. No.: **29/089,657**

### DESCRIPTION

[22] Filed: **Jun. 19, 1998**

FIG. 1 is a perspective view of a power saw showing our new design;

### [30] Foreign Application Priority Data

Dec. 24, 1997 [DE] Germany ..... 97 11 955

FIG. 2 is a front view thereof;

[51] **LOC (6) Cl.** ..... **08-03**

FIG. 3 is a right side view thereof;

[52] **U.S. Cl.** ..... **D8/65**

FIG. 4 is a left side view thereof;

[58] **Field of Search** ..... D8/65; 30/381-383

FIG. 5 is a rear view thereof;

FIG. 6 is a top view thereof; and,

FIG. 7 is a bottom view thereof.

### [56] References Cited

#### U.S. PATENT DOCUMENTS

D. 295,713 5/1988 Nagashima et al. .... D8/65

**1 Claim, 7 Drawing Sheets**

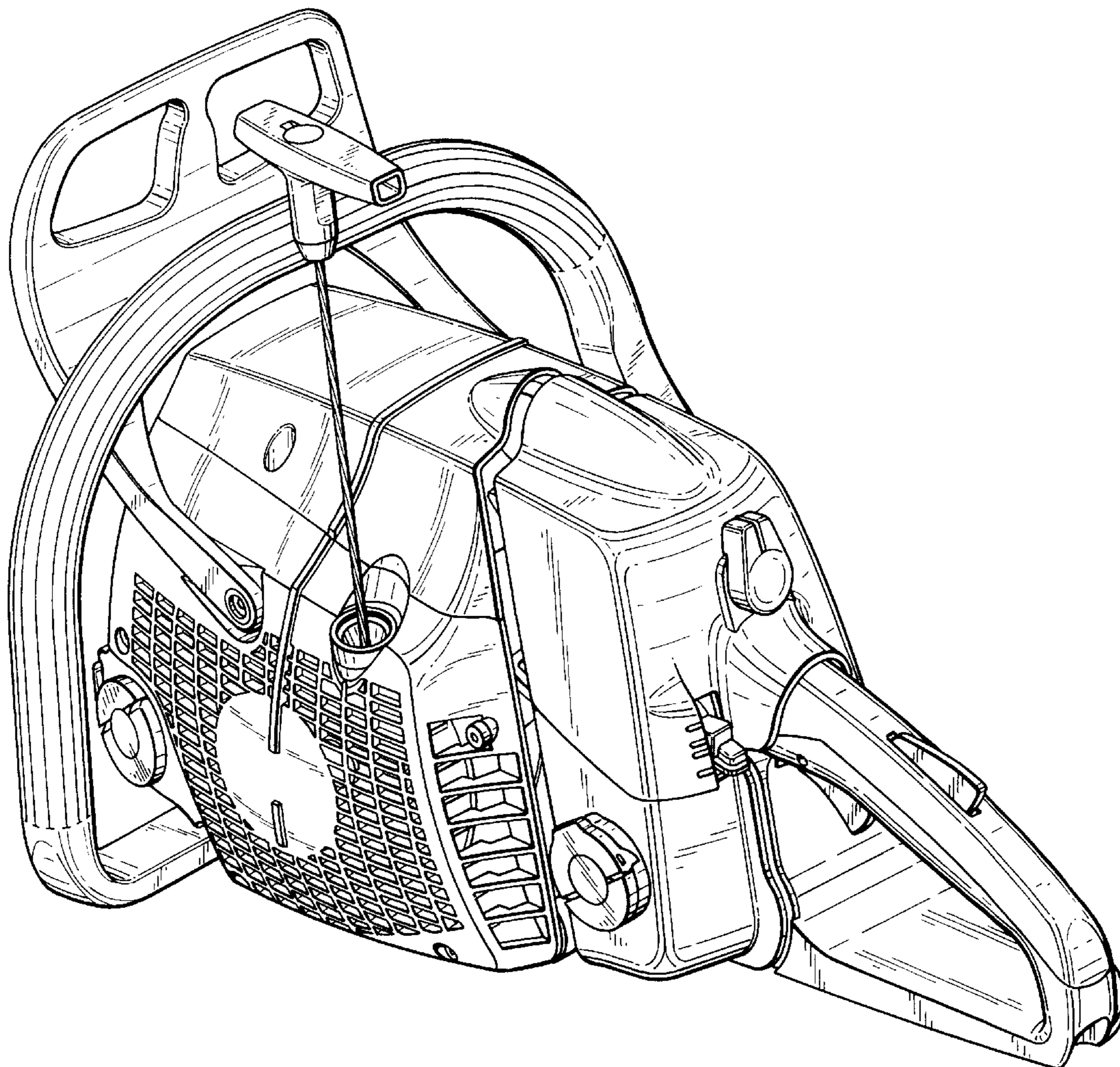


Fig. 1

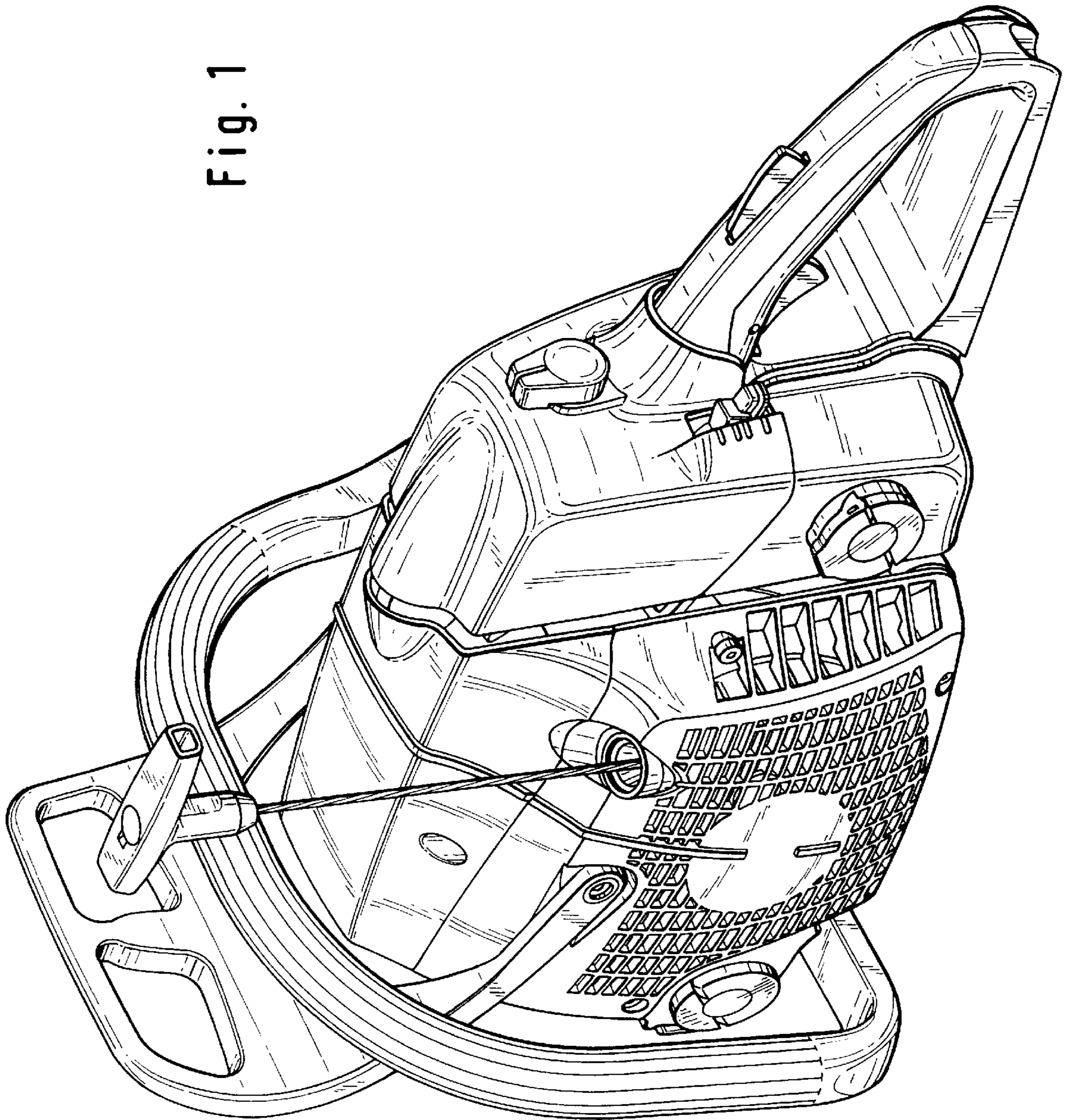


Fig. 2

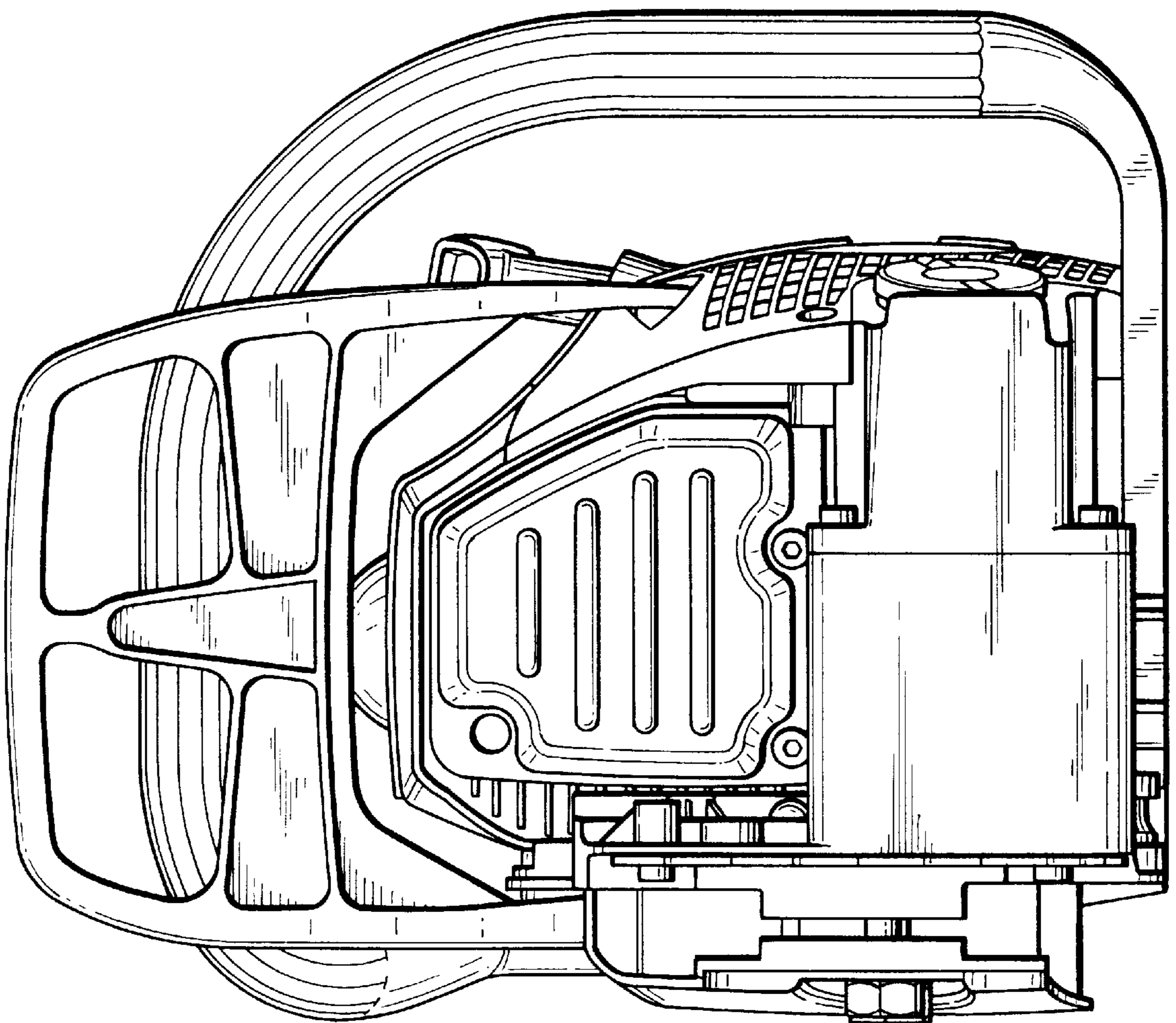
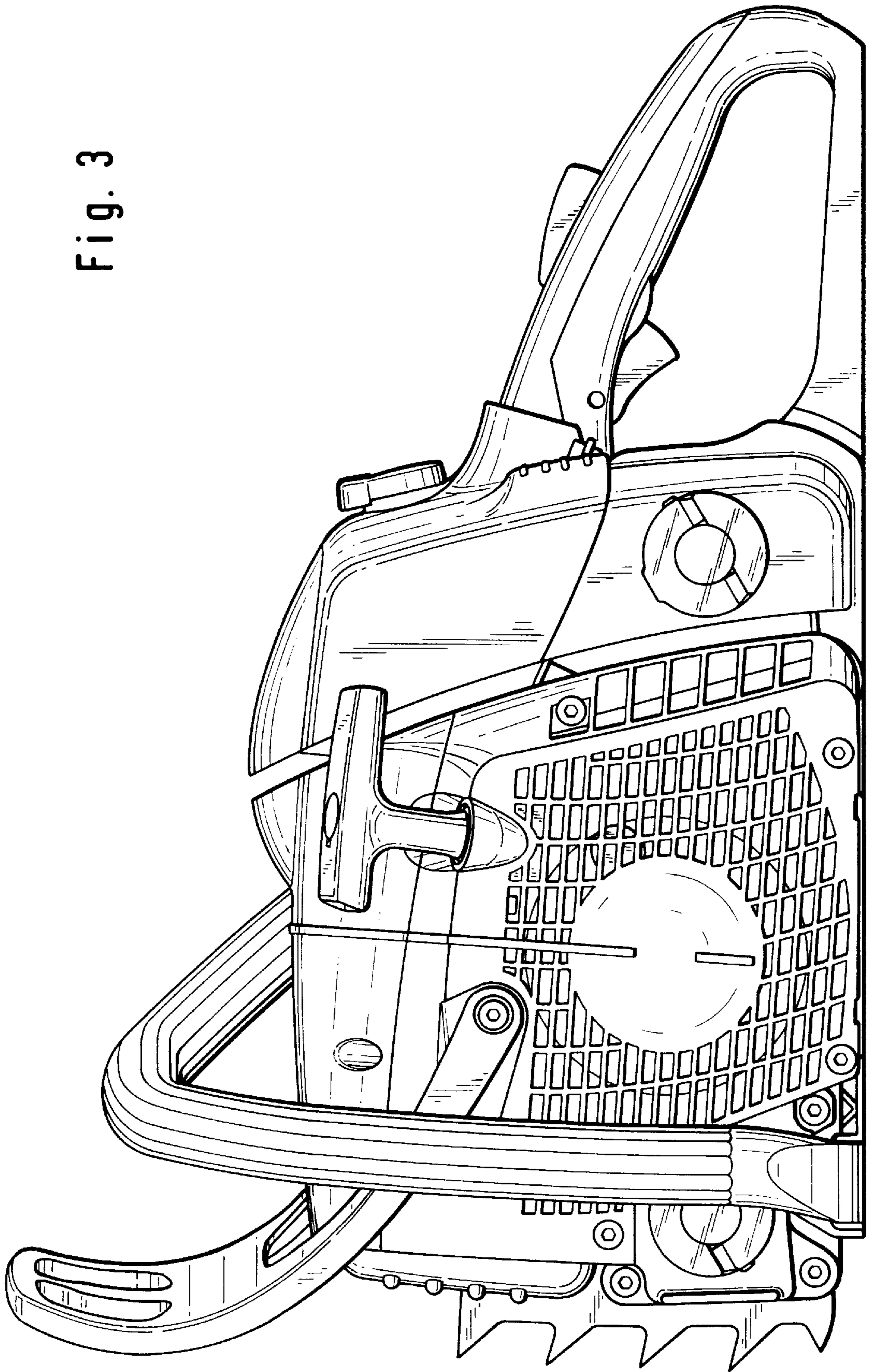


Fig. 3



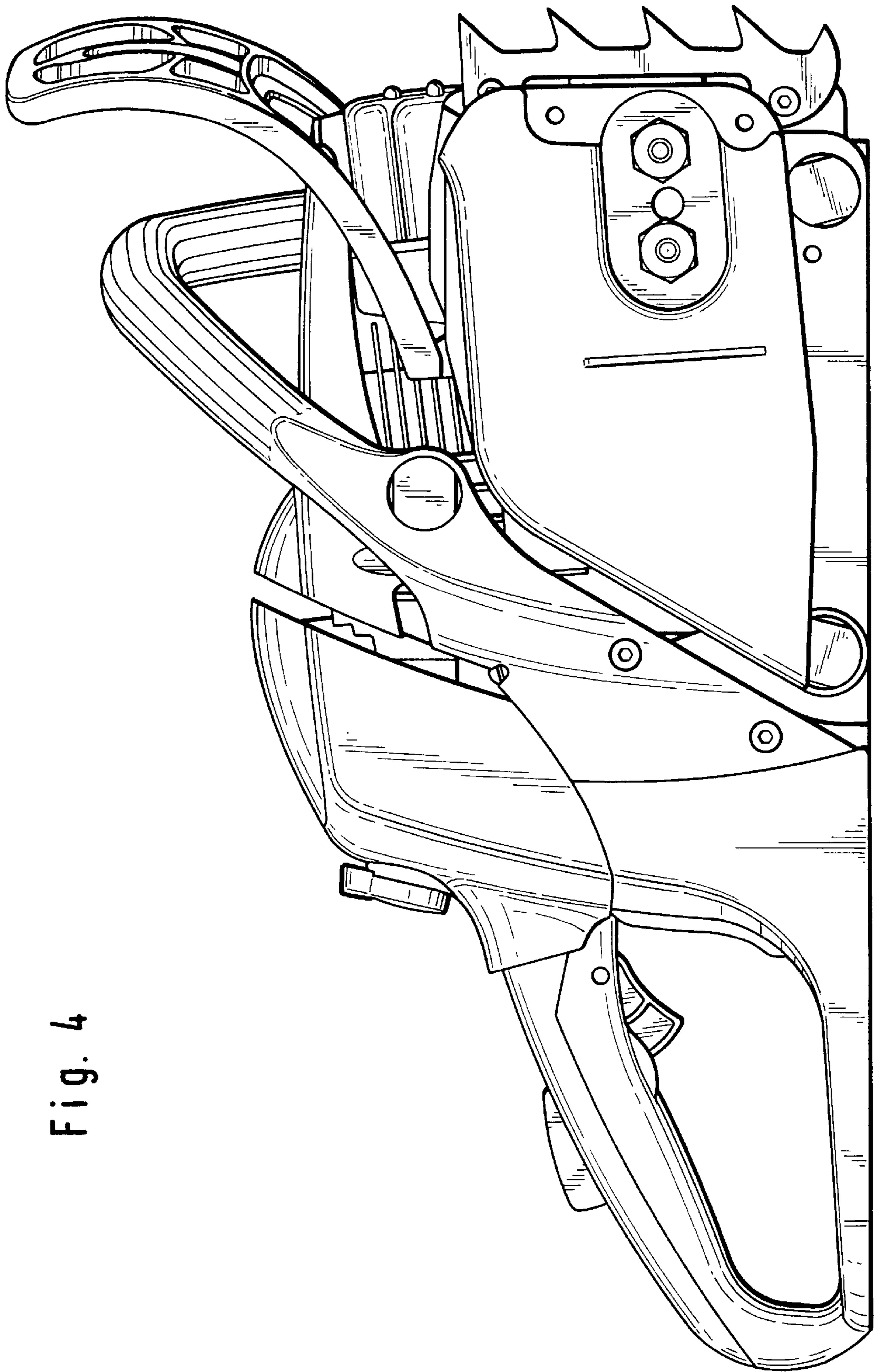


Fig. 4

Fig. 5

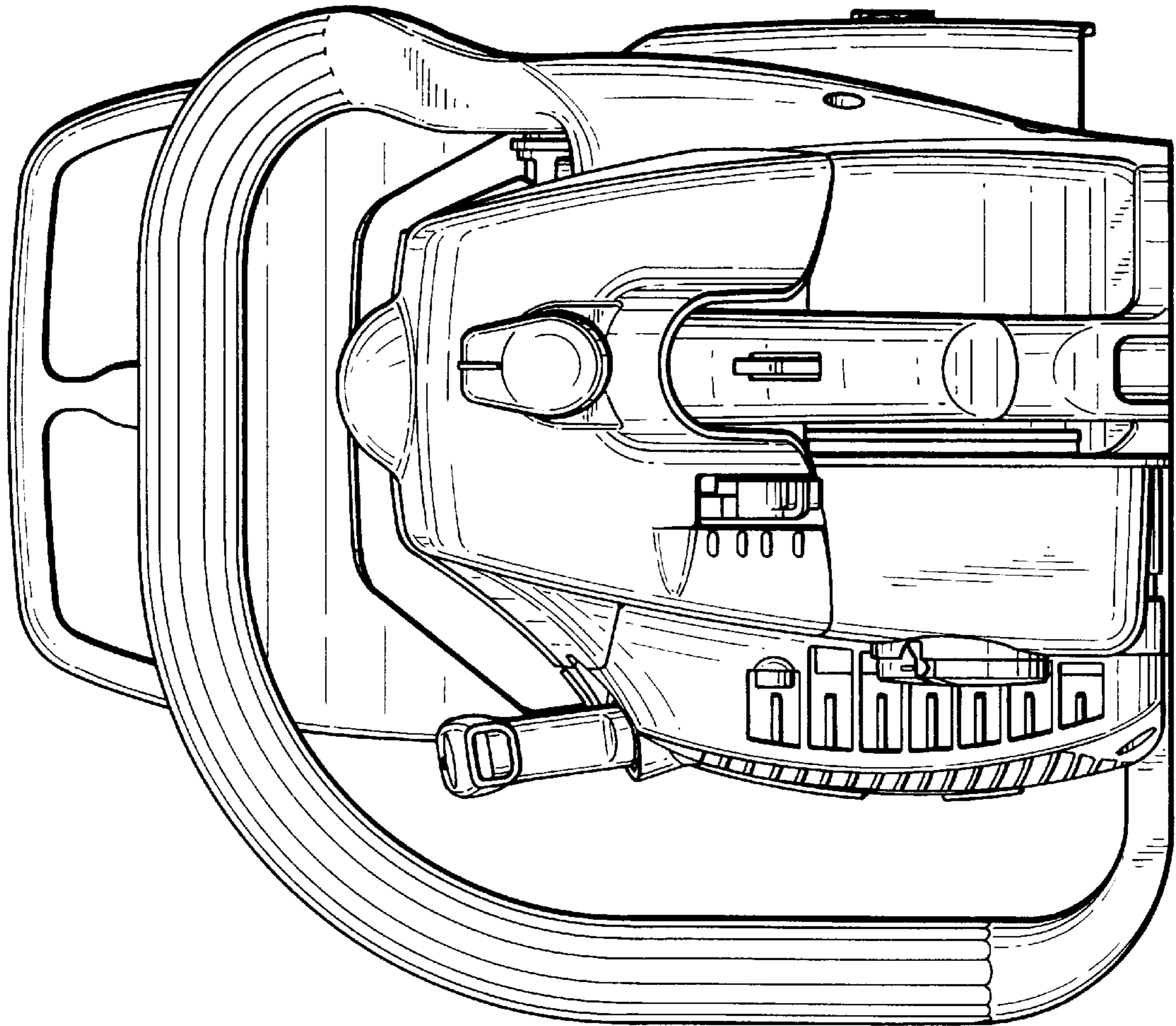


Fig. 6

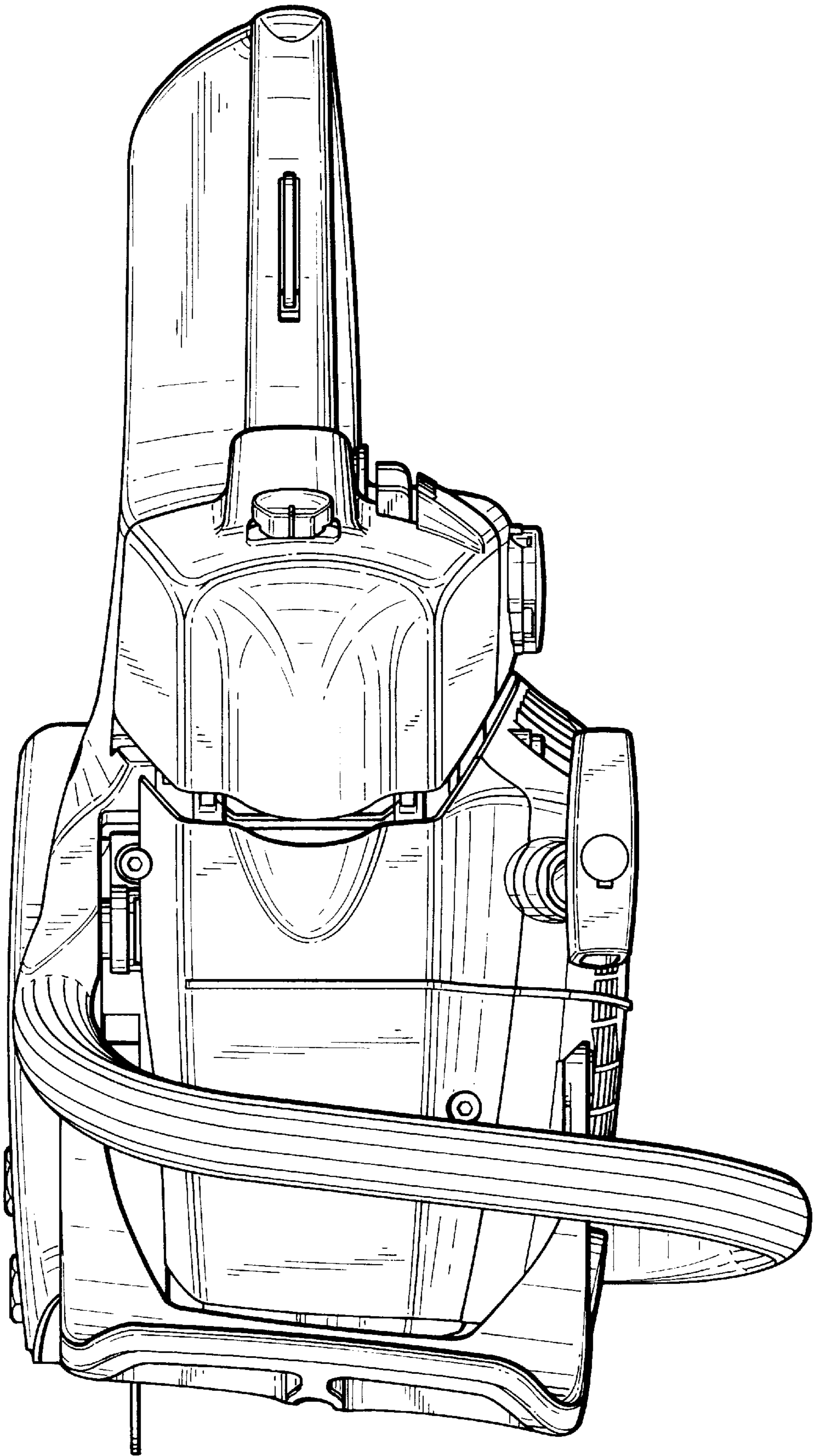


Fig. 7

