



US00D412651S

# United States Patent [19] Conrado et al.

[11] Patent Number: Des. 412,651

[45] Date of Patent: \*\* Aug. 10, 1999

[54] CAN OPENER

[75] Inventors: **Ann Marie Conrado**, Chgo, Ill.;  
**Lorens G. Hlava**, Clinton, Mo.; **Bart Masee**; **William Webb**, both of  
Chicago, Ill.

[73] Assignee: **The Rival Company**, Kansas City, Mo.

[\*\*] Term: **14 Years**

[21] Appl. No.: **29/081,786**

[22] Filed: **Jan. 9, 1998**

[51] LOC (6) Cl. .... **07-99**

[52] U.S. Cl. .... **D8/36**

[58] Field of Search ..... D8/33-43, 18,  
D8/19; 30/400-443; 81/3.07-3.49; 7/151-156

[56] **References Cited**

**U.S. PATENT DOCUMENTS**

- D. 202,268 9/1965 Reed .
- D. 219,200 11/1970 McCue .
- D. 229,603 12/1973 Eckle .
- D. 230,005 1/1974 Weiss .
- D. 240,700 7/1976 Scott .
- D. 276,406 11/1984 Johnson et al. .
- D. 291,173 8/1987 Stowell et al. .
- D. 306,548 3/1990 Mezey .
- D. 366,404 1/1996 Indindoli .
- D. 366,997 2/1996 Carbone .
- 2,204,368 6/1940 Kublin .
- 2,579,189 12/1951 Jensen .
- 2,651,838 9/1953 Curtis .
- 2,662,279 12/1953 Wilson .
- 2,679,098 5/1954 Deicken .
- 2,738,943 5/1956 Lawrence .
- 2,765,207 10/1956 Moore .
- 2,771,263 11/1956 Boho .
- 2,896,319 7/1959 Pinette .
- 2,925,237 2/1960 Fox .
- 2,979,815 4/1961 Rhode et al. .
- 2,997,785 8/1961 Pinette .
- 3,079,683 3/1963 Carew et al. .
- 3,105,297 10/1963 Clowers .
- 3,156,044 11/1964 Congdon et al. .
- 3,176,063 3/1965 Jepson et al. .

- 3,216,108 11/1965 Jepson et al. .
- 3,254,406 6/1966 Hubrich .
- 3,307,255 3/1967 Hubrich .
- 3,313,023 4/1967 Jepson et al. .
- 3,348,305 10/1967 Bielak et al. .
- 3,360,853 1/1968 Chambers et al. .
- 3,376,671 4/1968 Wolter .

(List continued on next page.)

**FOREIGN PATENT DOCUMENTS**

- 1396874 3/1965 France .
- 30 48 063 7/1982 Germany .
- 154429 12/1920 United Kingdom .

**OTHER PUBLICATIONS**

Cornwell Corporation, "The Three Minute Egg," Jun. 21, 1973, Home Furnishings Daily, p. 13.  
 Cornwell Corporation, "The Three Minute Egg," Jan. 8, 1974, Home Furnishings Daily, p. 19.  
 Wellman Industrial Co., Ltd., "Combination Knife & Scissors Deluxe Can Opener," Dec. 1980, Hong Kong Enterprise, p. 35.  
 Fatia Industrial Co., Ltd., "The Best Products of . . ." Nov. 1988, Hong Kong Enterprise, p. 230.

*Primary Examiner*—Jeffrey Asch  
*Attorney, Agent, or Firm*—Brinks Hofer Gilson & Lione

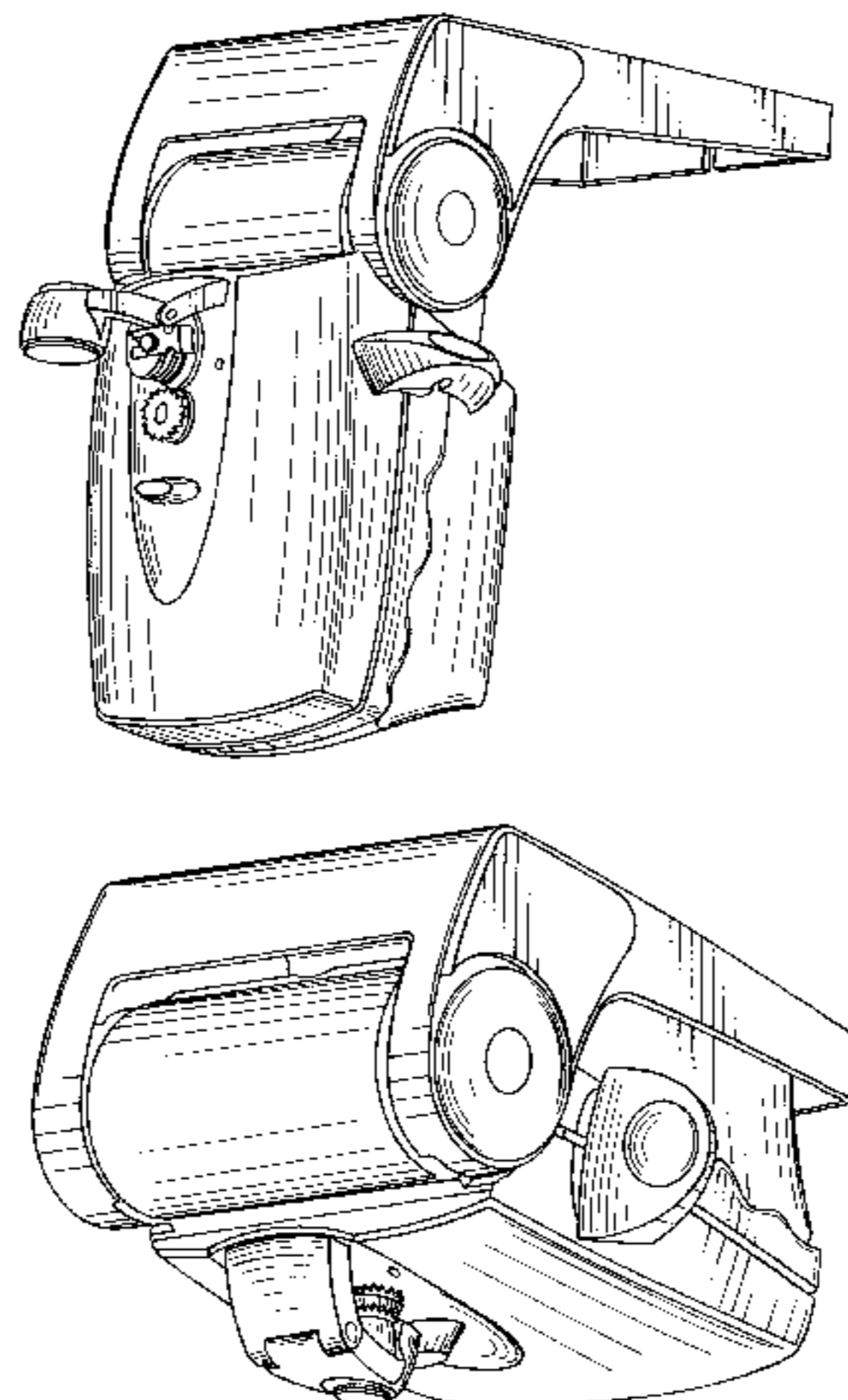
[57] **CLAIM**

The ornamental design for a can opener, as shown and described.

**DESCRIPTION**

FIG. 1 is a perspective view of a can opener showing our new design;  
 FIG. 2 is a left side view thereof;  
 FIG. 3 is a rear view thereof;  
 FIG. 4 is a front view thereof;  
 FIG. 5 is a right side view thereof;  
 FIG. 6 is a bottom view thereof; and,  
 FIG. 7 is a view of the invention in a retracted or closed state.  
 The top of the can opener is plain and unornamented.

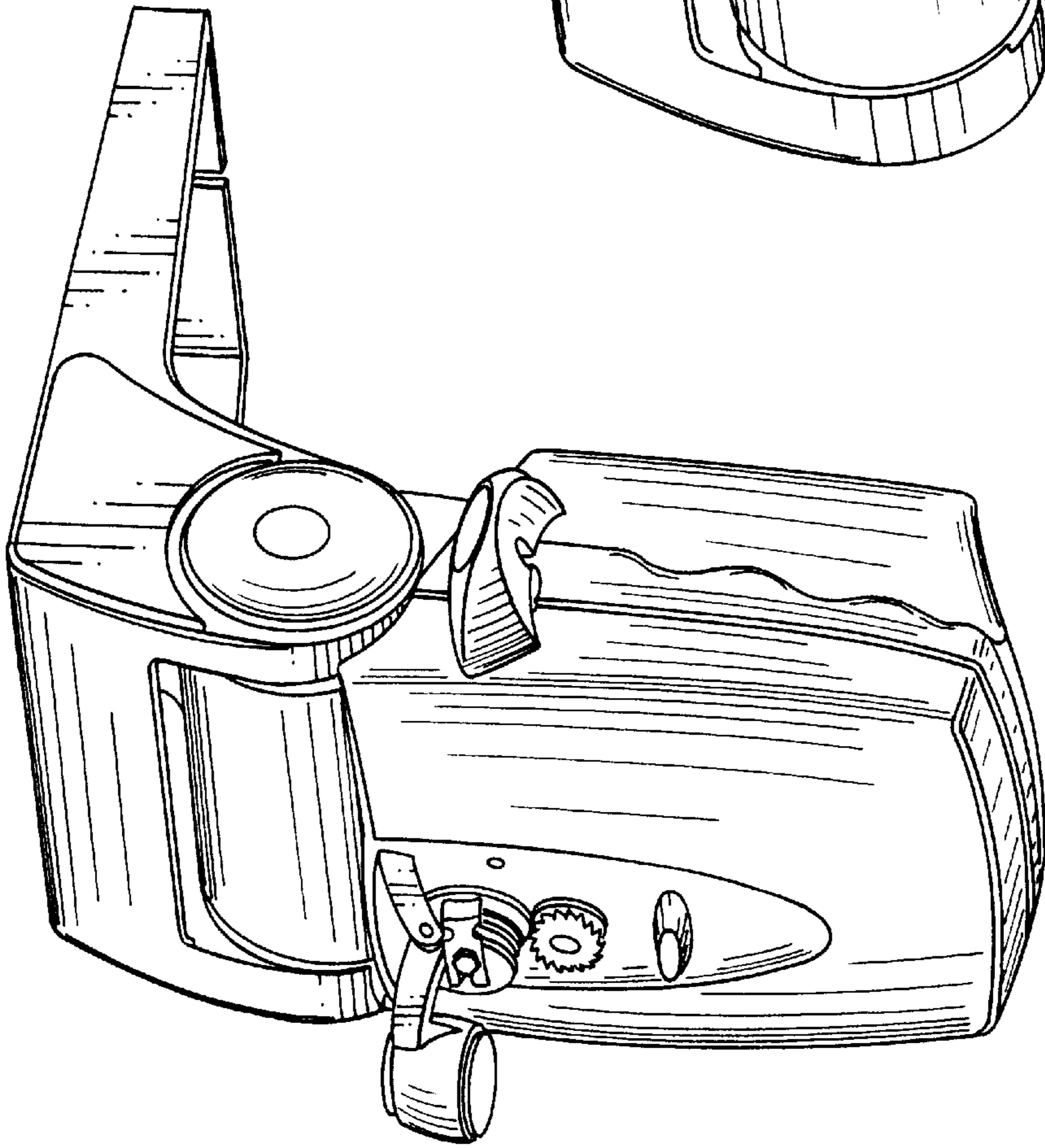
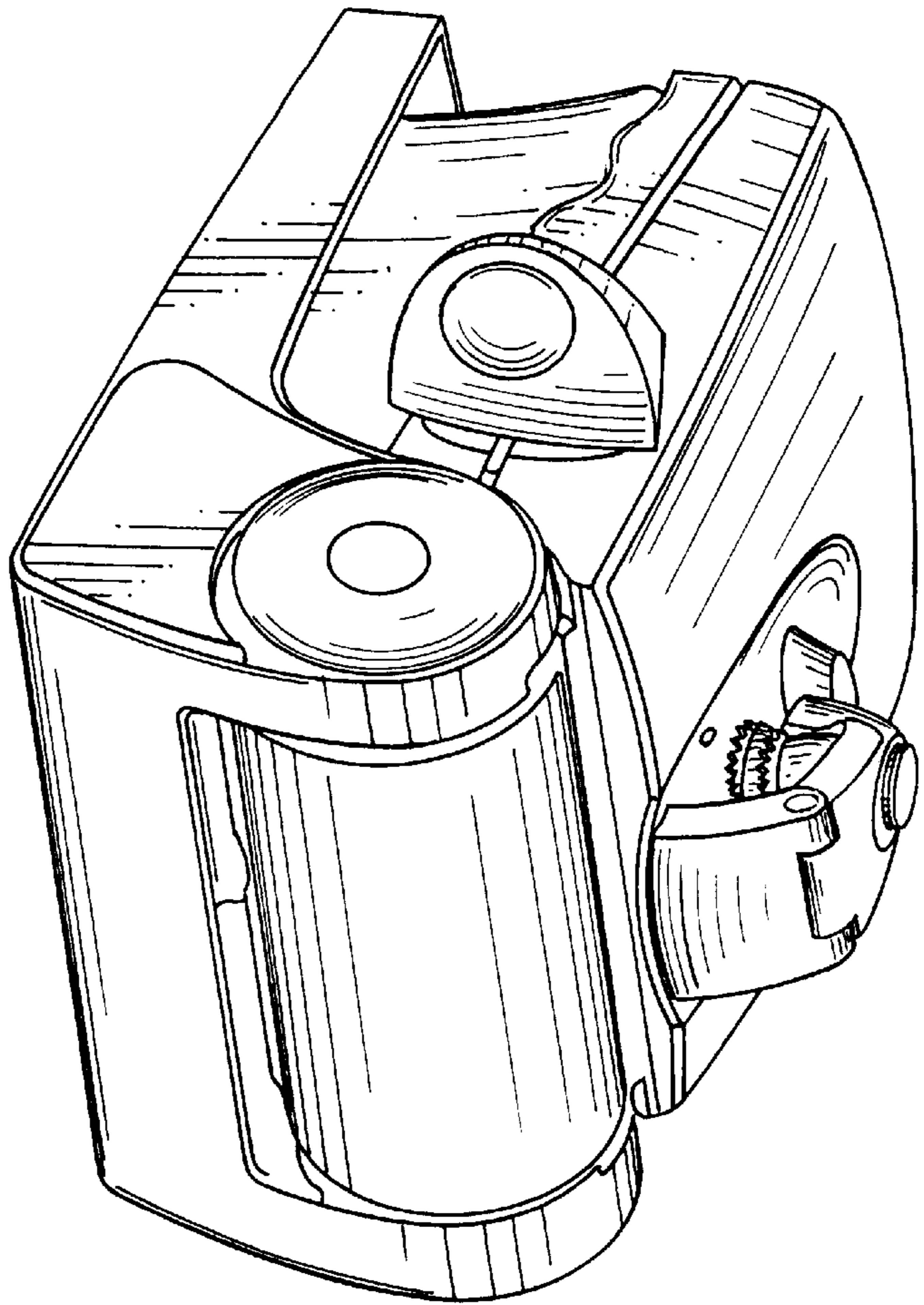
**1 Claim, 4 Drawing Sheets**



## U.S. PATENT DOCUMENTS

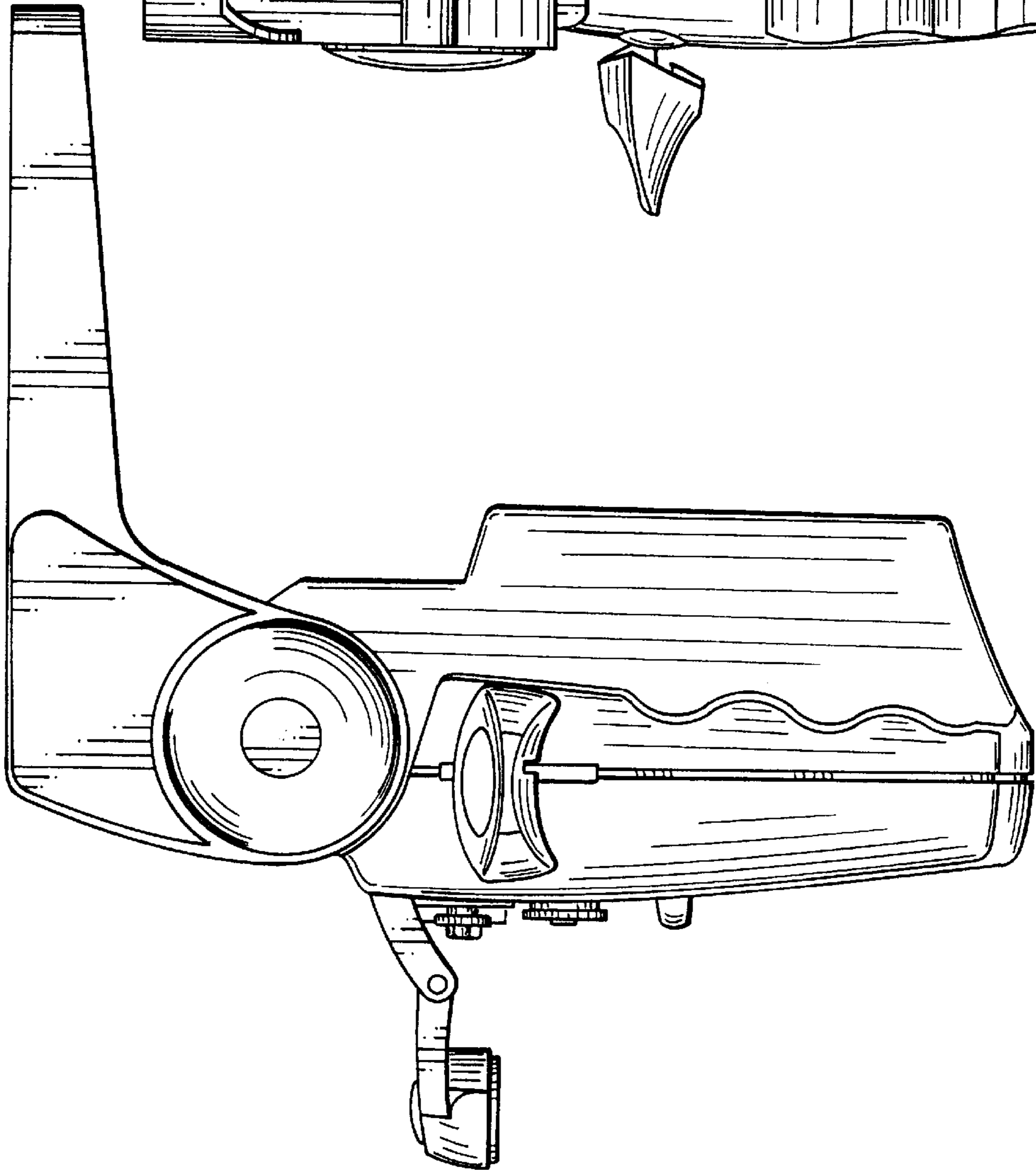
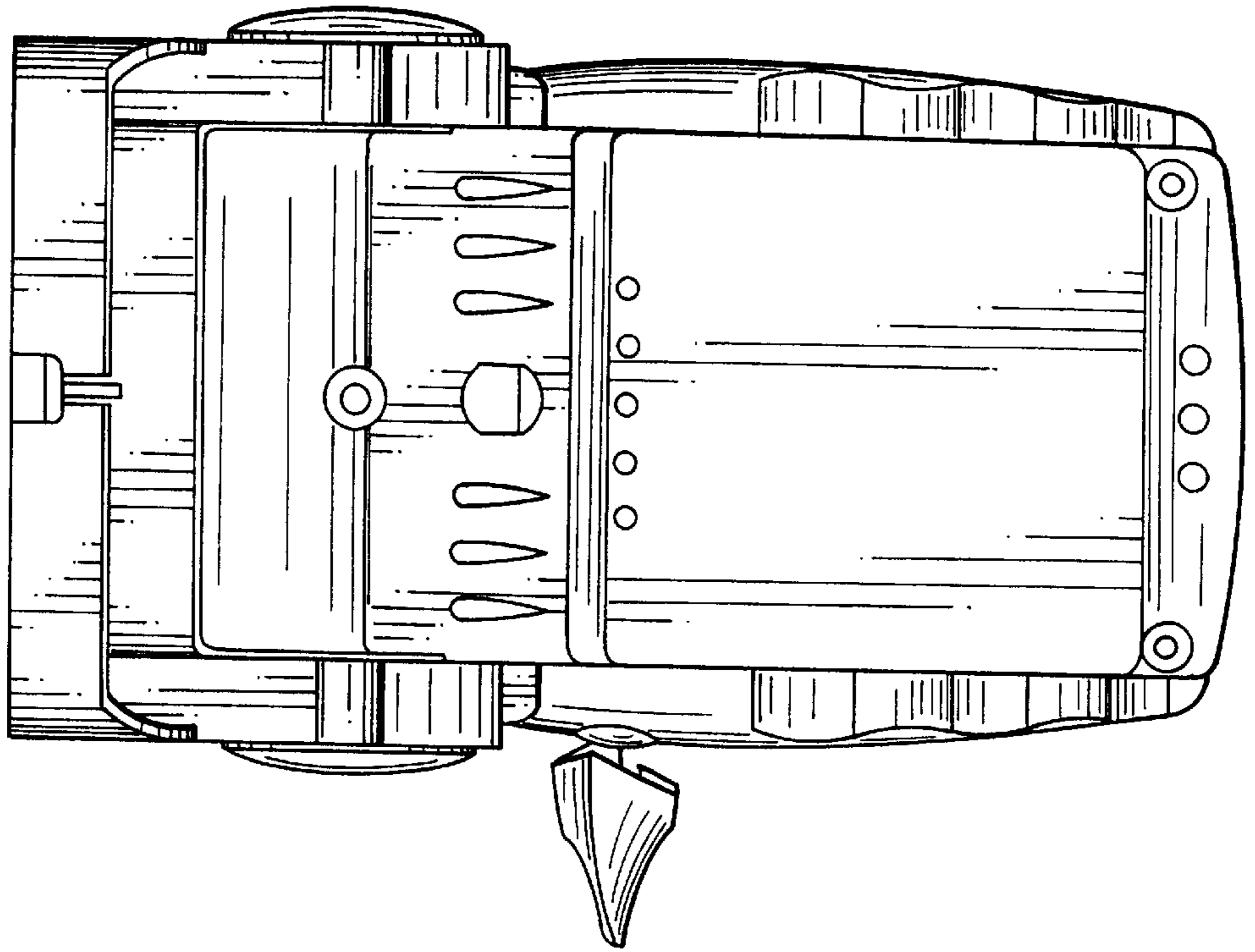
3,433,444	3/1969	Smith .	4,389,780	6/1983	Ostroski et al. .	
3,477,263	11/1969	Jepson et al. .	4,466,664	8/1984	Kondou .	
3,520,056	7/1970	Scott .	4,520,567	6/1985	Crawford .....	30/424
3,585,717	6/1971	Bielak et al. .	4,534,108	8/1985	Yamamoto et al. .	
3,673,682	7/1972	Yamamoto .	4,561,182	12/1985	Yamamoto et al. .	
3,675,321	7/1972	Arel et al. .	4,620,476	11/1986	Brym .	
3,689,997	9/1972	McLean .	4,635,615	1/1987	Itoh et al. .	
3,706,135	12/1972	Fukunaga et al. .	4,663,849	5/1987	Nickelson .	
3,763,748	10/1973	Gallagher, Jr. .	4,702,007	10/1987	Nomura et al. .	
3,765,085	10/1973	Ponczek et al. .	4,733,472	3/1988	Belcourt .	
3,805,380	4/1974	Yamamoto .	4,734,985	4/1988	Ozaki .....	30/404
3,818,589	6/1974	Oberto .	4,831,735	5/1989	Bast et al. .	
3,845,928	11/1974	Barrett et al. .	4,860,455	8/1989	Conneally .	
3,858,313	1/1975	Yamaguchi .	4,922,617	5/1990	Kurz .	
3,881,247	5/1975	Niwa .	4,949,928	8/1990	Hoshino .	
3,911,571	10/1975	Ponczek et al. .	4,979,308	12/1990	Moore .	
3,942,247	3/1976	Ponczek et al. .	4,995,164	2/1991	Borger et al. .	
3,949,468	4/1976	McLean et al. .	5,211,368	5/1993	Kitamura .	
3,955,276	5/1976	Pauty .	5,219,240	6/1993	Kitamura .	
3,982,455	9/1976	Bowman .	5,313,708	5/1994	Edwards et al. .	
4,028,805	6/1977	Figlia .	5,383,637	1/1995	Biber .	
4,053,981	10/1977	Aberer .	5,421,092	6/1995	Guilmette et al. .	
4,086,835	5/1978	Frederick .	5,478,998	12/1995	Charych et al. .	
4,196,821	4/1980	Teti, Jr. et al. .	5,492,296	2/1996	Biber .	
4,207,676	6/1980	Okumura .	5,503,491	4/1996	Lu .	
			5,666,735	9/1997	Kosten et al. ....	30/410

*Fig. 7*

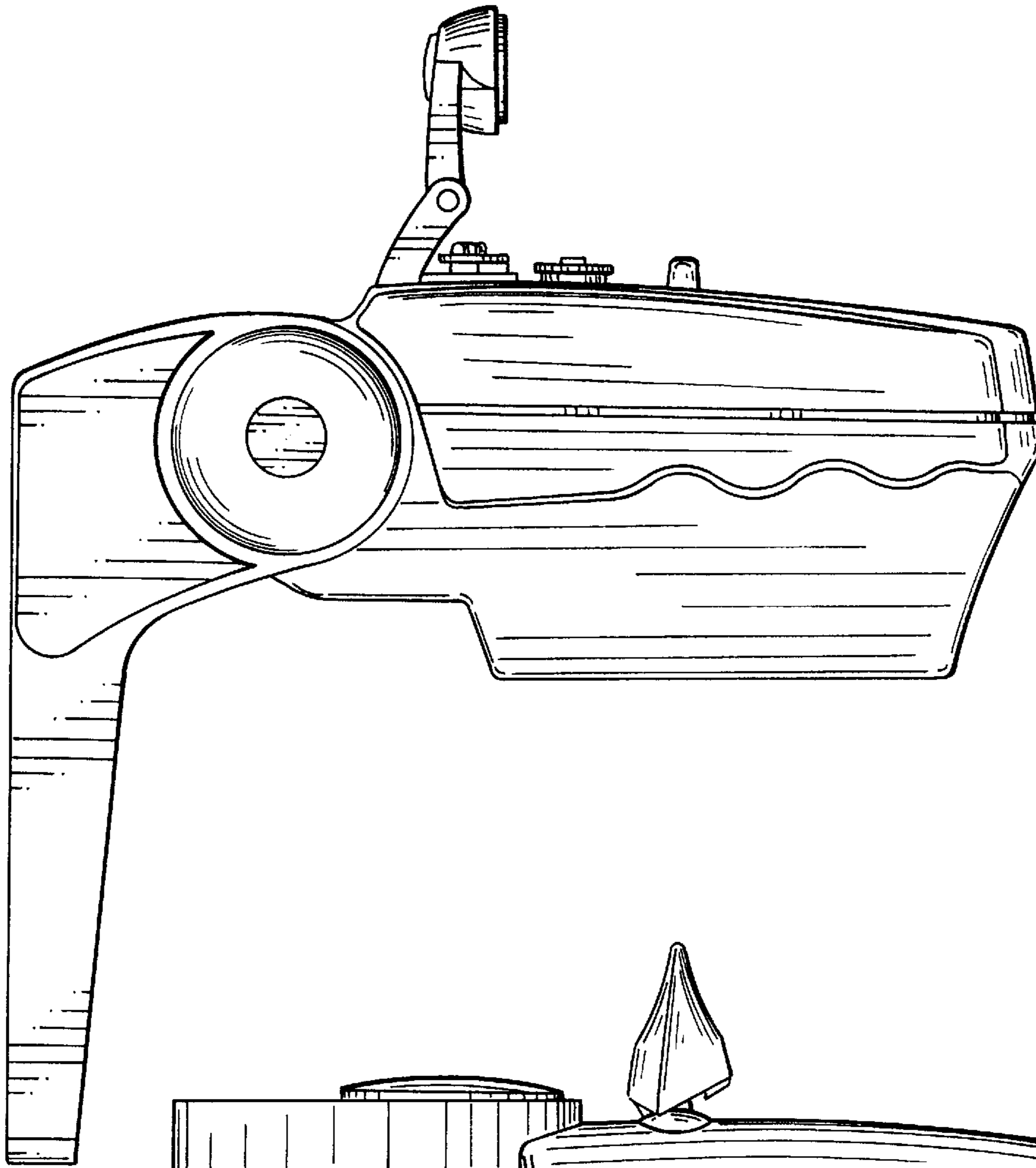


*Fig. 1*

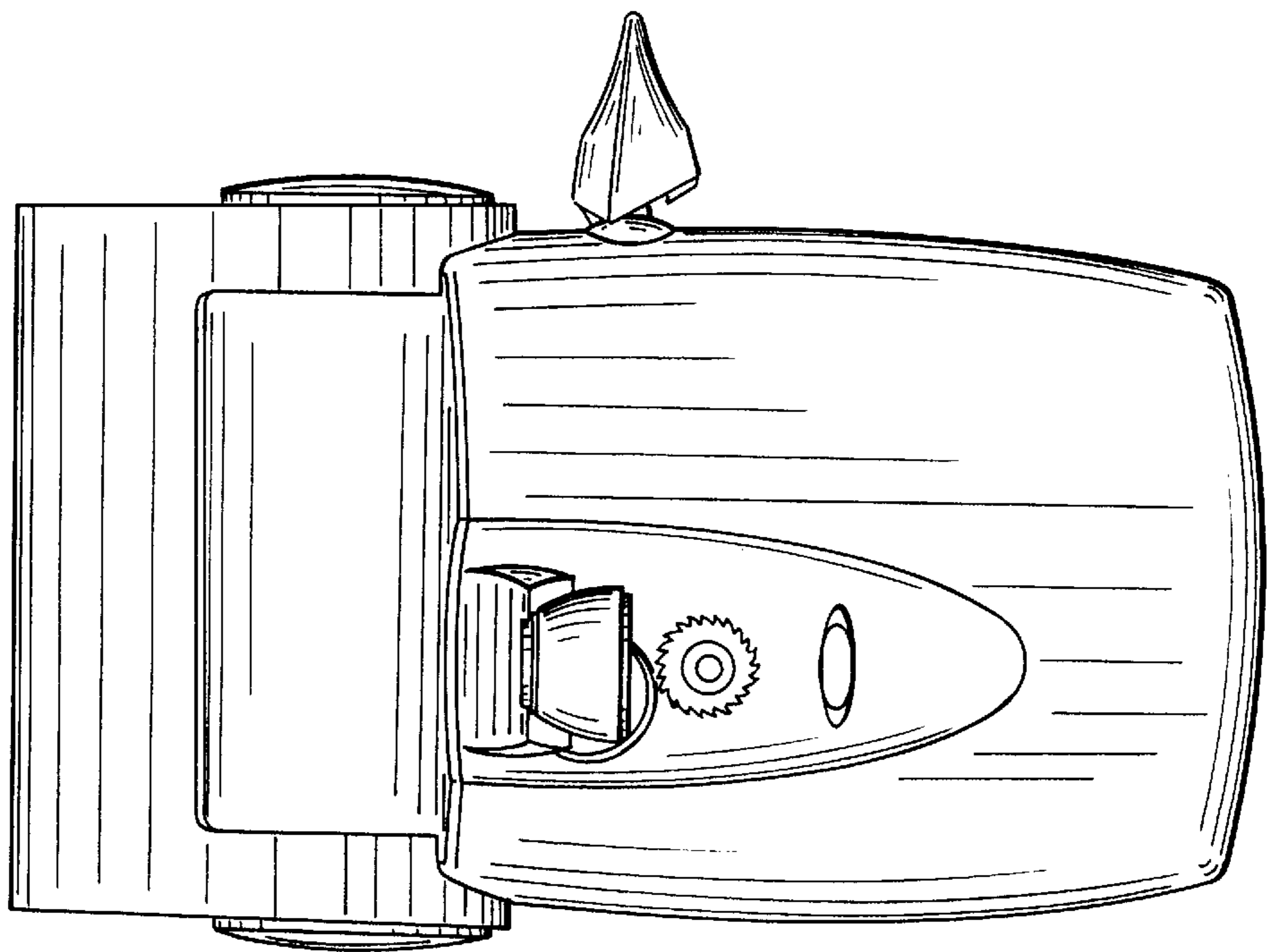
*Fig. 3*



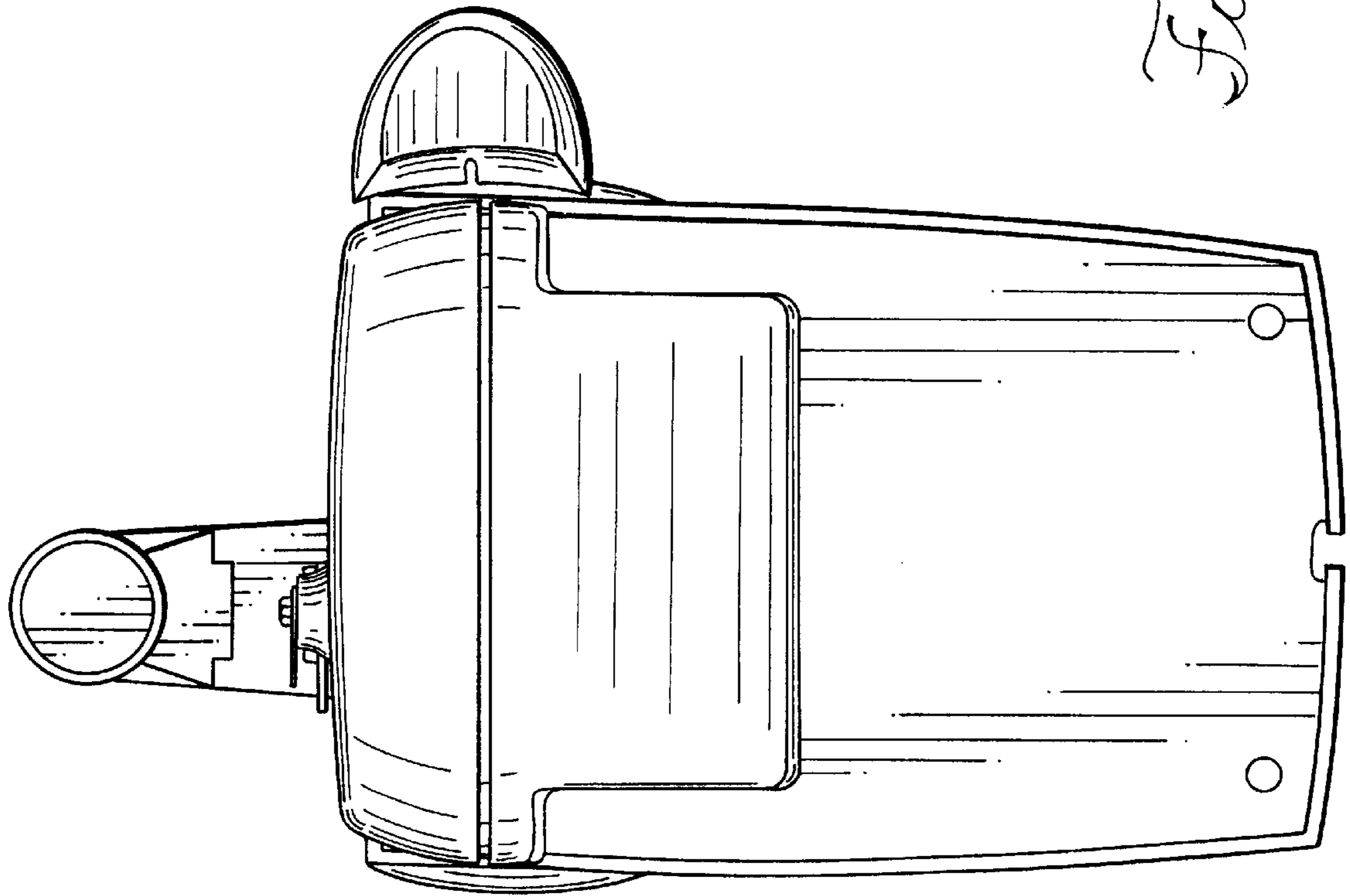
*Fig. 2*



*Fig. 4*



*Fig. 5*



*Fig. 6*