



US00D412650S

United States Patent [19]

Bokros

[11] Patent Number: **Des. 412,650**

[45] Date of Patent: **** Aug. 10, 1999**

[54] **REMOVABLE CARTRIDGE FOR A HOT GLUE GUN**

4,948,944 8/1990 Oster 219/227
4,951,846 8/1990 Oster et al. 222/146.5

[75] Inventor: **Les Bokros**, Ft. Worth, Tex.

Primary Examiner—Terry A. Wallace
Attorney, Agent, or Firm—Gregory M. Howison; Mark W. Handley

[73] Assignee: **Uniplast, Inc.**, Arlington, Tex.

[**] Term: **14 Years**

[57] **CLAIM**

[21] Appl. No.: **29/089,467**

The ornamental design for “removable cartridge for a hot glue gun”, as shown and described.

[22] Filed: **Jun. 16, 1998**

DESCRIPTION

[51] **LOC (6) Cl.** **08-05**

FIG. 1 is a frontal, perspective view showing my new design;

[52] **U.S. Cl.** **D8/30; D8/14.1**

FIG. 2 is a top view thereof;

[58] **Field of Search** D8/14.1, 29.1,
D8/29.2, 30; 219/221, 227, 229, 242, 259;
222/146.1

FIG. 3 is a front view thereof;

FIG. 4 is a bottom view thereof;

FIG. 5 is a rearward, bottom perspective view thereof;

FIG. 6 is a left side, elevational view thereof; and,

FIG. 7 is a right side, elevational view thereof.

[56] **References Cited**

U.S. PATENT DOCUMENTS

D. 315,852 4/1991 Nusse et al. D8/30
D. 334,876 4/1993 Swetish D8/29.1

1 Claim, 2 Drawing Sheets

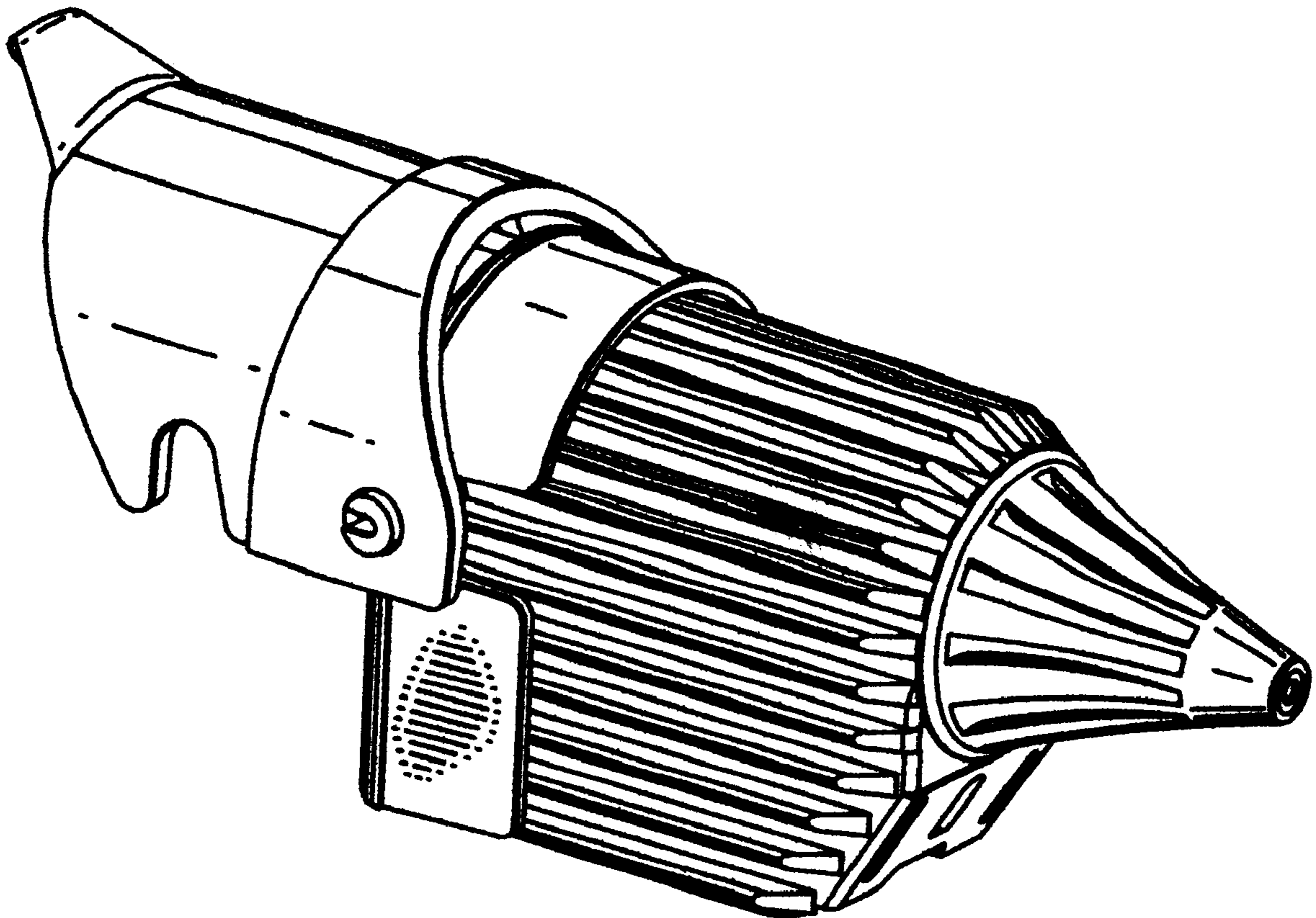


FIG. 1

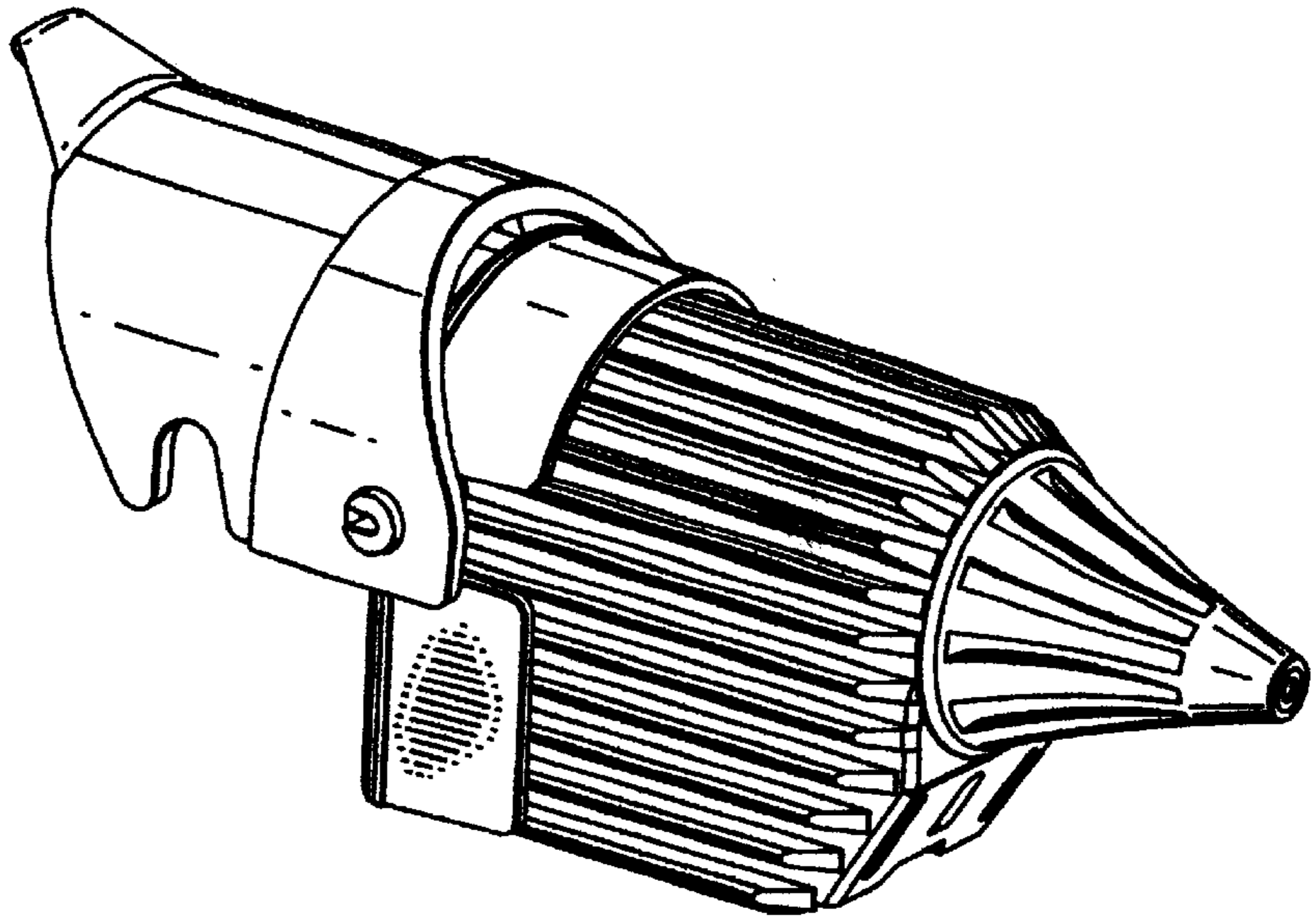


FIG. 2

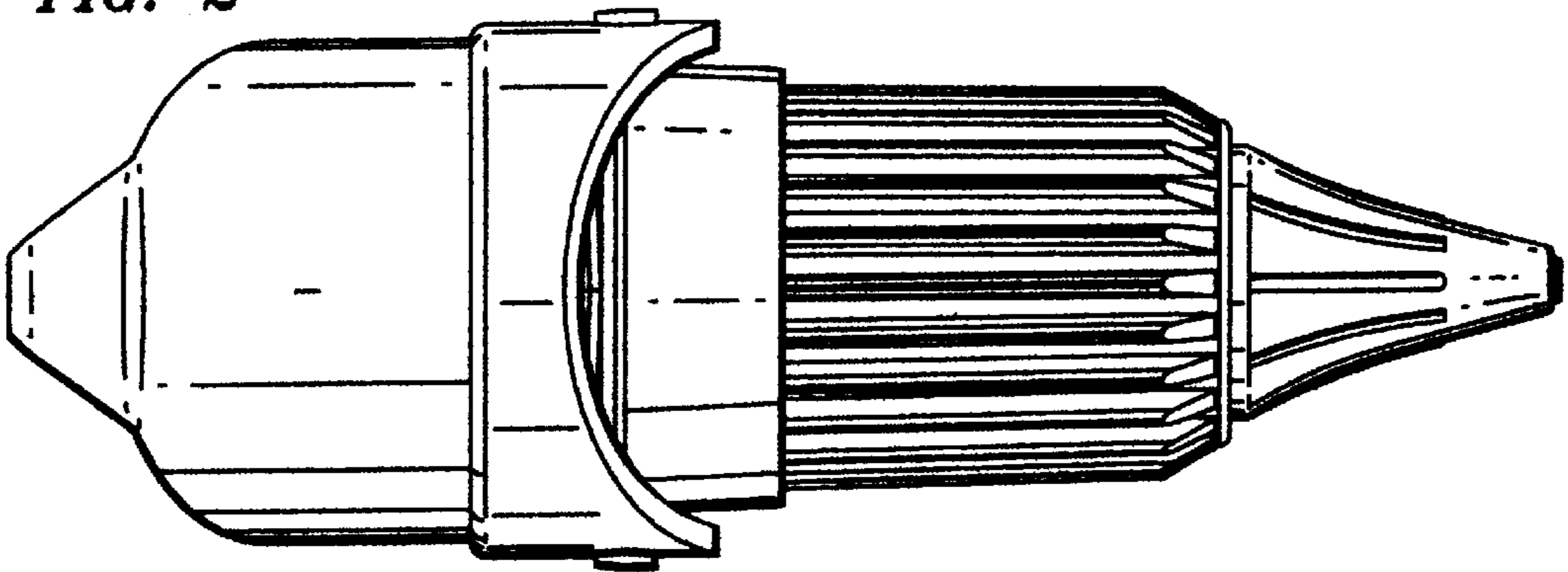


FIG. 3

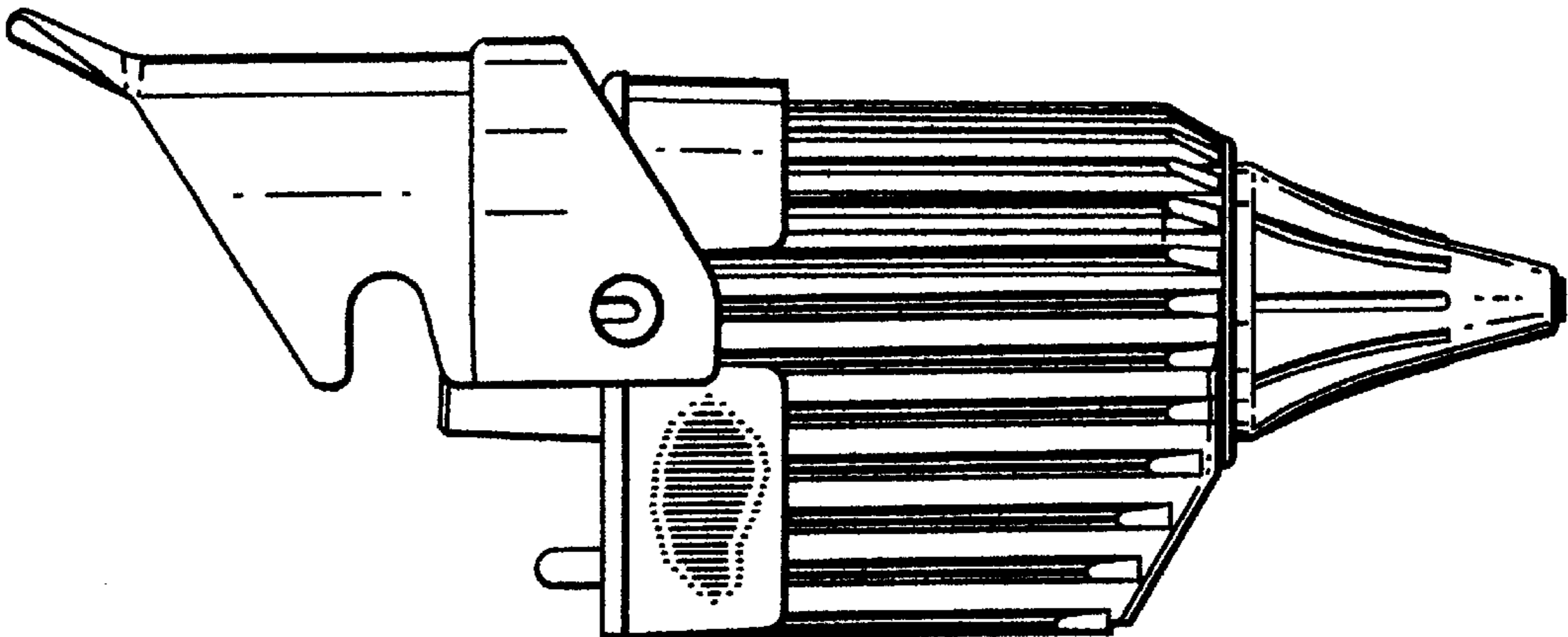


FIG. 4

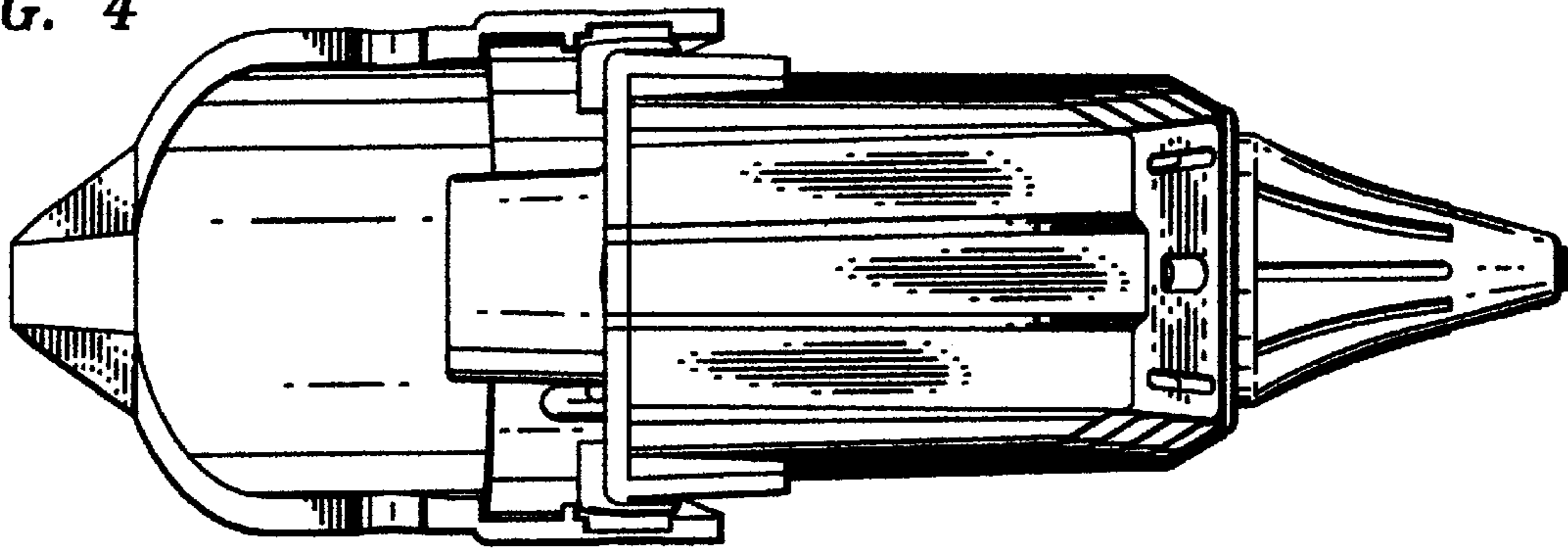


FIG. 5

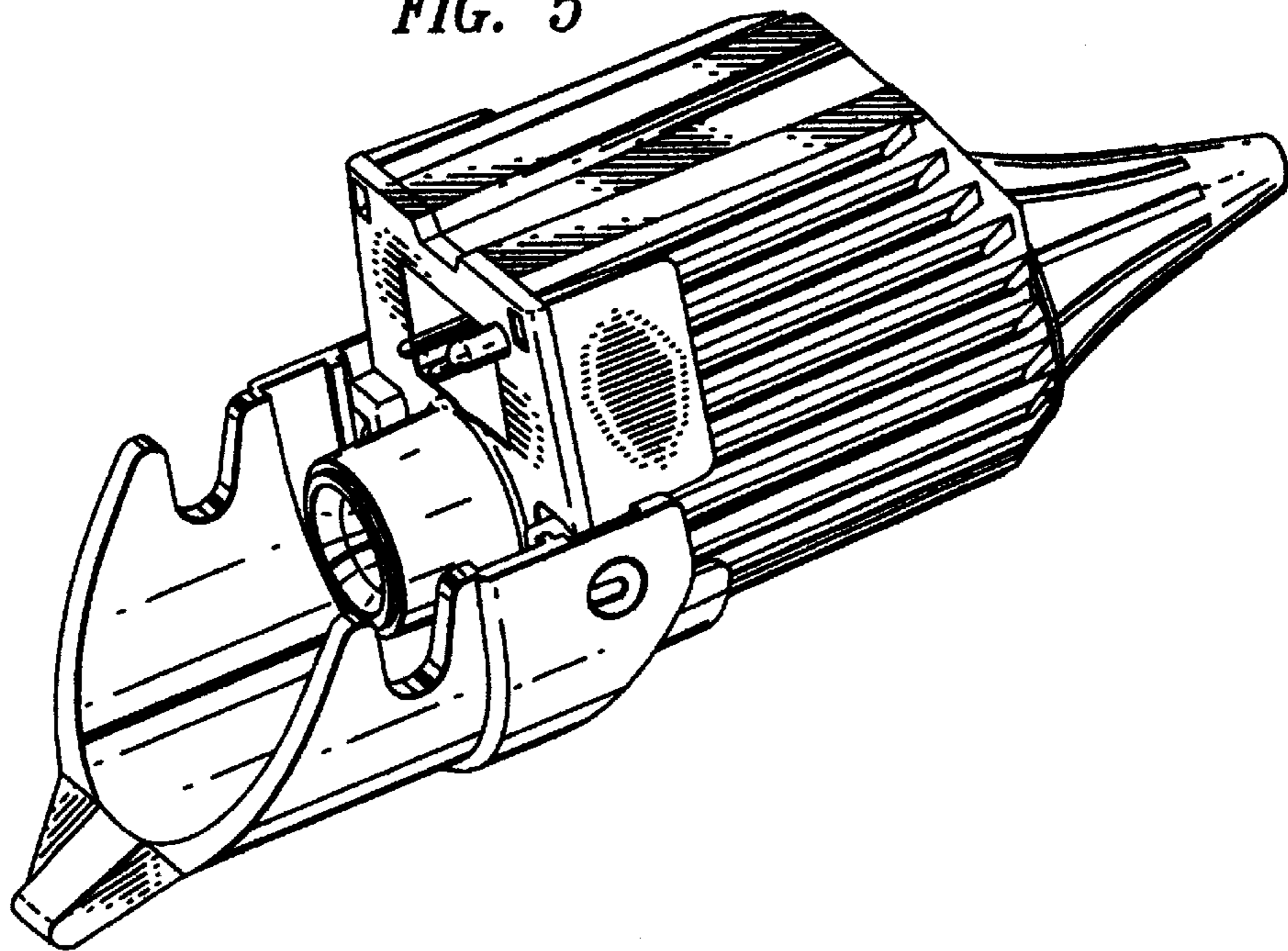


FIG. 6

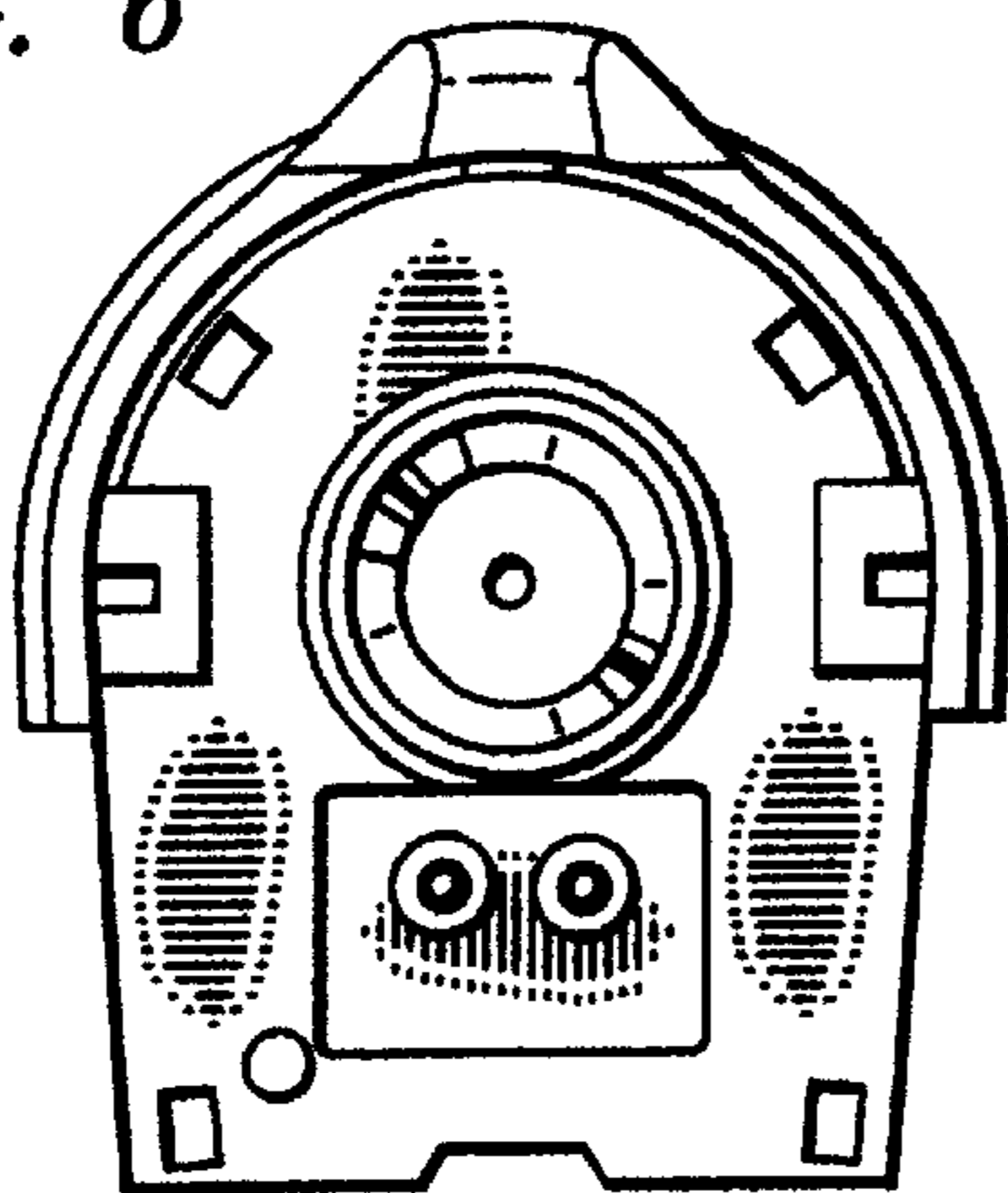


FIG. 7

