



US00D412642S

United States Patent [19] King

[11] Patent Number: Des. 412,642

[45] Date of Patent: ** Aug. 10, 1999

[54] **FRYER TRAY CARRIER WITH CROSS-BRACED SUPPORT**

[75] Inventor: **James D. King**, Kettering, Ohio

[73] Assignee: **Henny Penny Corporation**, Eaton, Ohio

[**] Term: **14 Years**

[21] Appl. No.: **29/085,542**

[22] Filed: **Mar. 25, 1998**

[51] **LOC (6) Cl.** **07-02**

[52] **U.S. Cl.** **D7/409; D7/402**

[58] **Field of Search** **D7/347, 402, 409; 99/326, 336, 403-411, 483; 206/506; 364/400; 426/296, 438**

4,032,749	6/1977	Price .	
4,282,423	8/1981	Volz .	
4,287,818	9/1981	Moore et al. .	
4,300,686	11/1981	Leclerc et al. .	
4,437,159	3/1984	Waugh et al. .	
4,444,095	4/1984	Anetsberger et al. .	
4,489,646	12/1984	Schmidt et al. .	
4,502,373	3/1985	Keating .	
4,599,990	7/1986	Fritzsche et al. .	
4,602,612	7/1986	Schwizer	126/391
4,742,455	5/1988	Schreyer .	
4,785,725	11/1988	Tate et al. .	
4,858,119	8/1989	Waugh et al.	364/400
4,930,408	6/1990	King et al.	99/407
4,945,893	8/1990	Manchester .	
5,033,368	7/1991	Brewer	99/403
5,146,843	9/1992	Fuller et al.	99/483
5,243,898	9/1993	Sakuma .	
5,313,876	5/1994	Hilger et al.	99/403
5,402,712	4/1995	King et al.	99/407
5,635,234	6/1997	Svensson .	

[56] **References Cited**

U.S. PATENT DOCUMENTS

D. 170,835	11/1953	Sandin	D7/354
D. 206,549	12/1966	Callender	D7/409
D. 336,007	6/1993	King et al.	D7/347
1,266,912	5/1918	Bradbury	99/441
1,630,309	5/1927	Pitman .	
2,506,305	5/1950	Maldonado	99/426
2,658,444	11/1953	Wheeler	99/410
2,840,436	6/1958	Mason	312/284
2,875,682	3/1959	Smoot et al. .	
3,156,177	11/1964	Sanders .	
3,242,849	3/1966	Wells .	
3,326,692	6/1967	Martino et al. .	
3,484,252	12/1969	Popeil .	
3,501,316	3/1970	Guthrie, Sr. .	
3,563,158	2/1971	Omer .	
3,608,473	9/1971	Kearn et al. .	
3,685,433	8/1972	Cunningham .	
3,690,246	9/1972	Guthrie, Sr. .	
3,701,313	10/1972	Boggs	99/330
3,821,925	7/1974	Moore .	
3,939,980	2/1976	King .	
3,958,503	5/1976	Moore .	
3,979,856	9/1976	Belcher .	
4,031,820	6/1977	Reed	99/336

Primary Examiner—Caron D. Veynar
Attorney, Agent, or Firm—Baker & Botts, L.L.P.

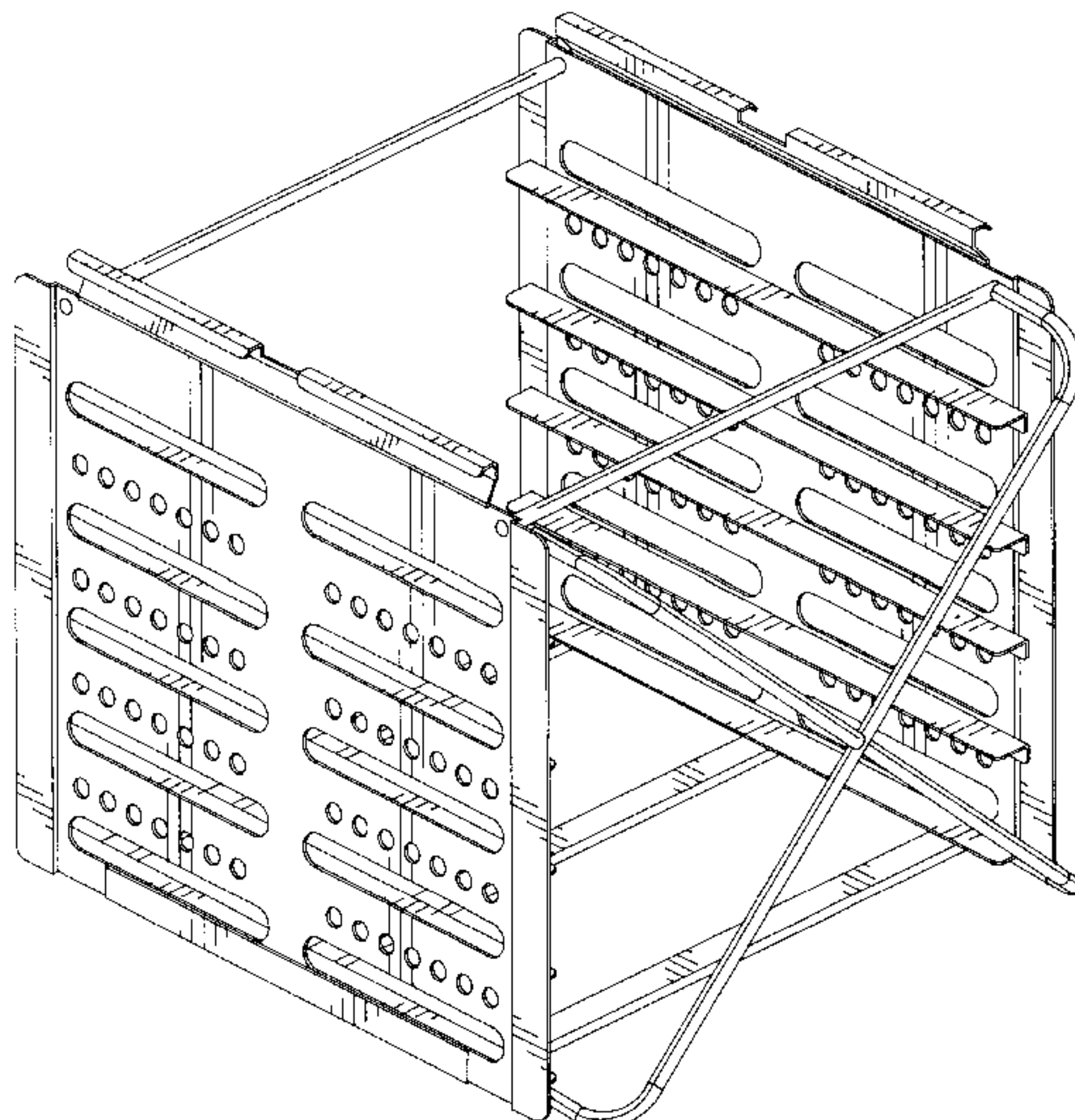
[57] **CLAIM**

The ornamental design for a fryer tray carrier with cross-braced support, as shown and described.

DESCRIPTION

FIG. 1 is a rear perspective view of a fryer tray carrier with cross-braced support according to my design; FIG. 2 is a side view of a fryer tray carrier with cross-braced support, as shown in FIG. 1, the opposite side view being a mirror image thereof; FIG. 3 is a rear view of a fryer tray carrier with cross-braced support, as shown in FIG. 1; FIG. 4 is a bottom view of a fryer tray carrier with cross-braced support, as shown in FIG. 1; FIG. 5 is a front perspective view, the broken line showing of a fryer is for illustrative purposes only and forms no part of the claimed design; and, FIG. 6 is a top view of a fryer tray carrier with cross-braced support, as shown in FIG. 1.

1 Claim, 6 Drawing Sheets



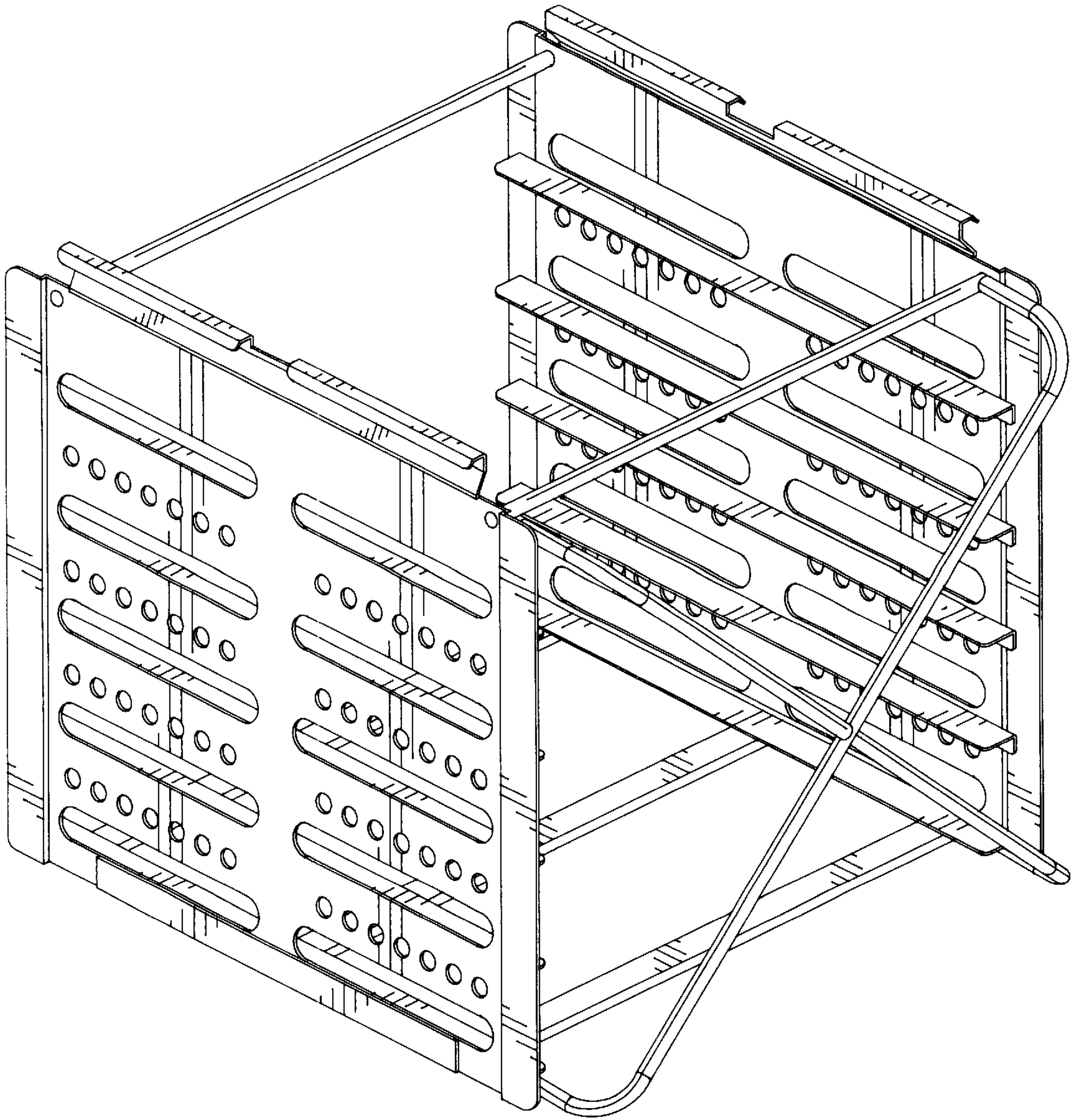


FIG. 1

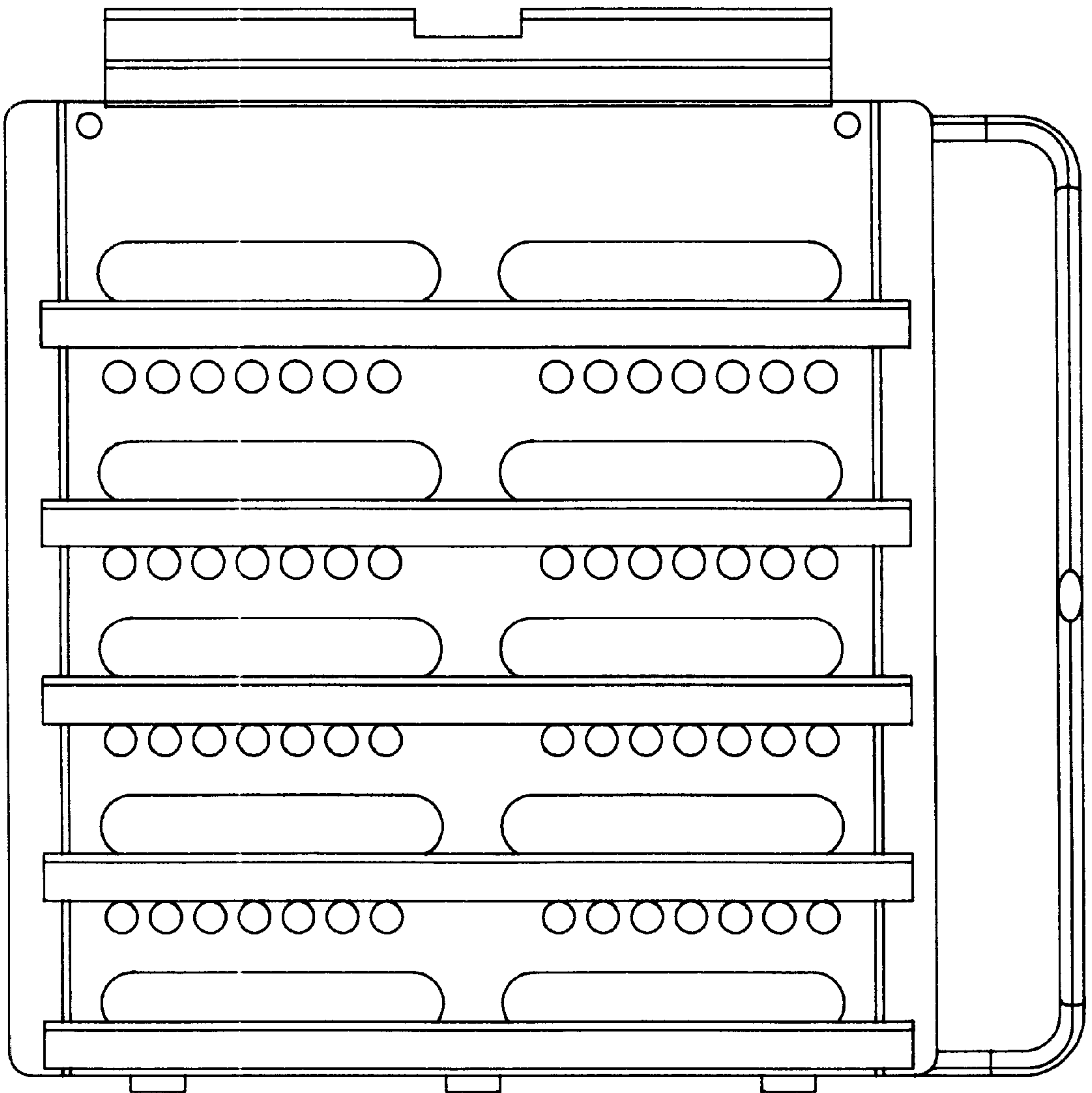


FIG. 2

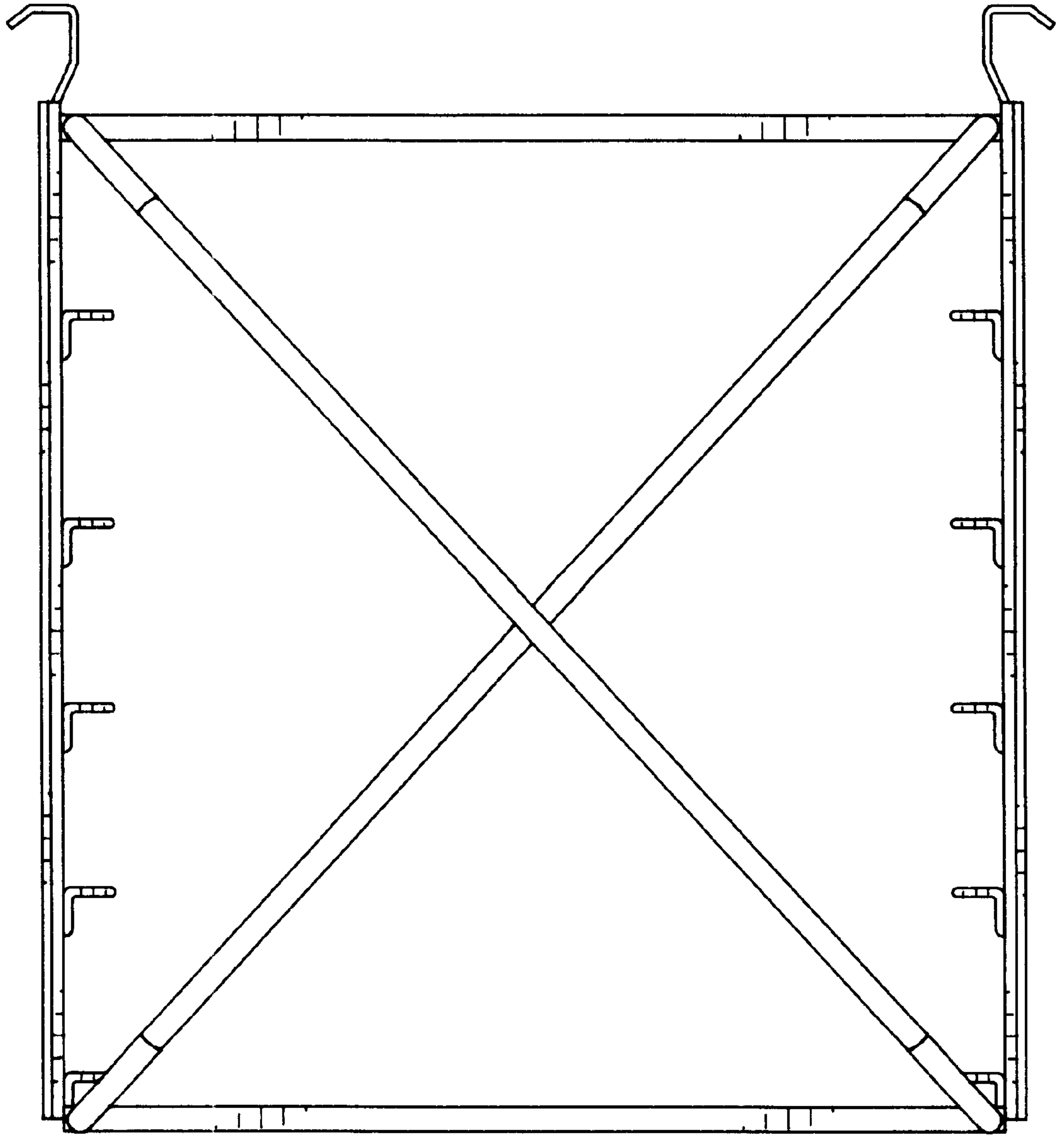


FIG. 3

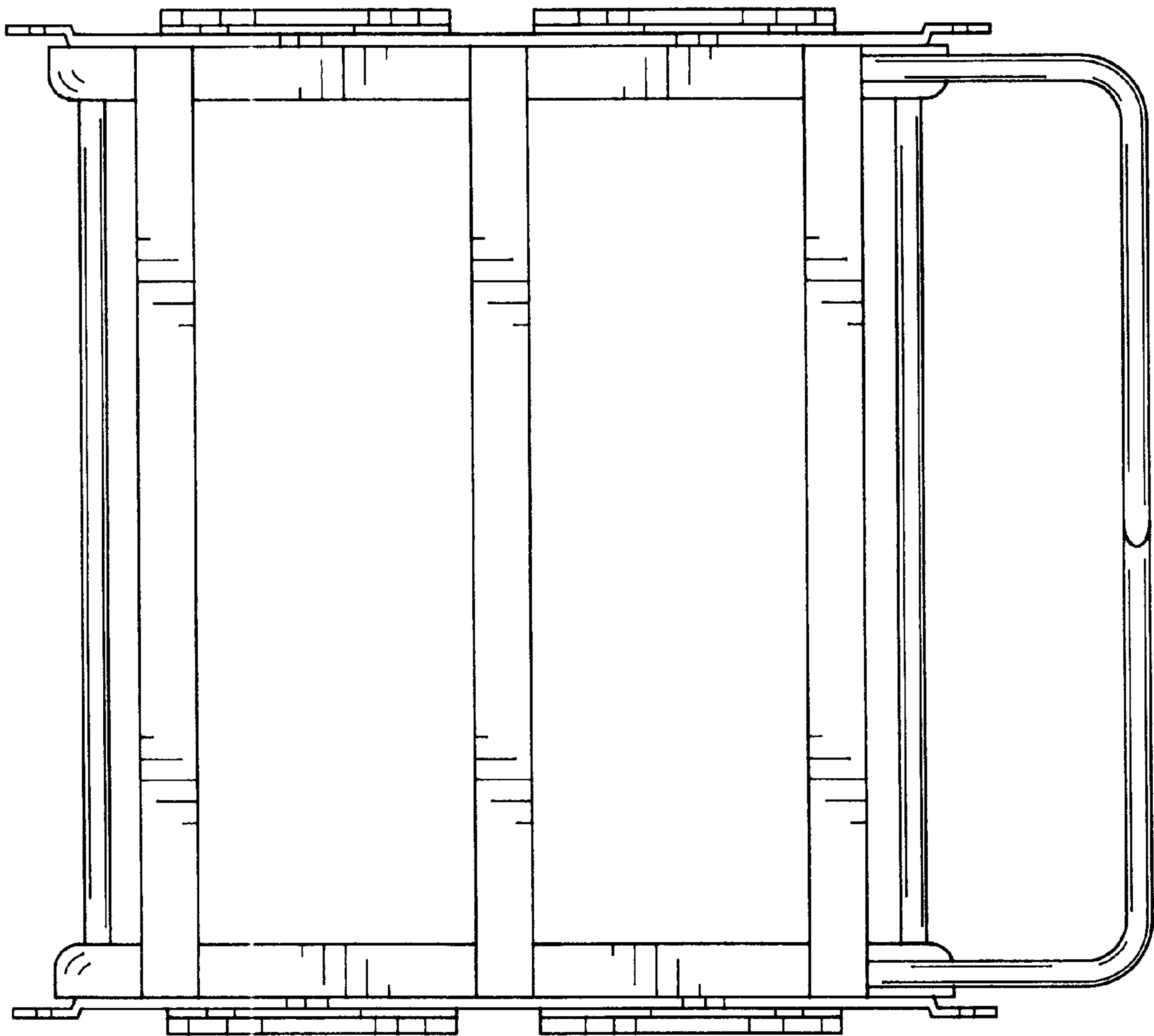


FIG. 4

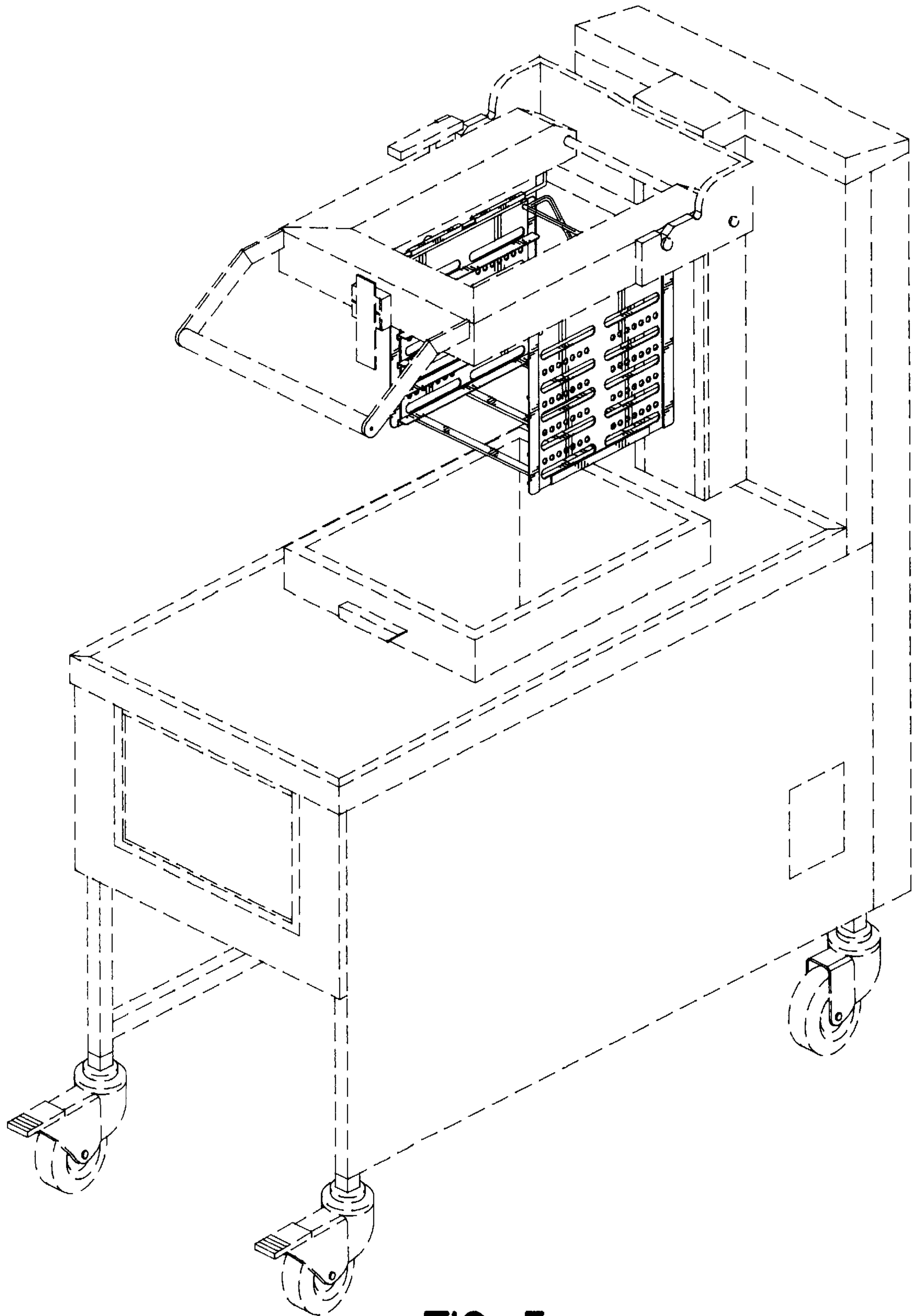


FIG. 5

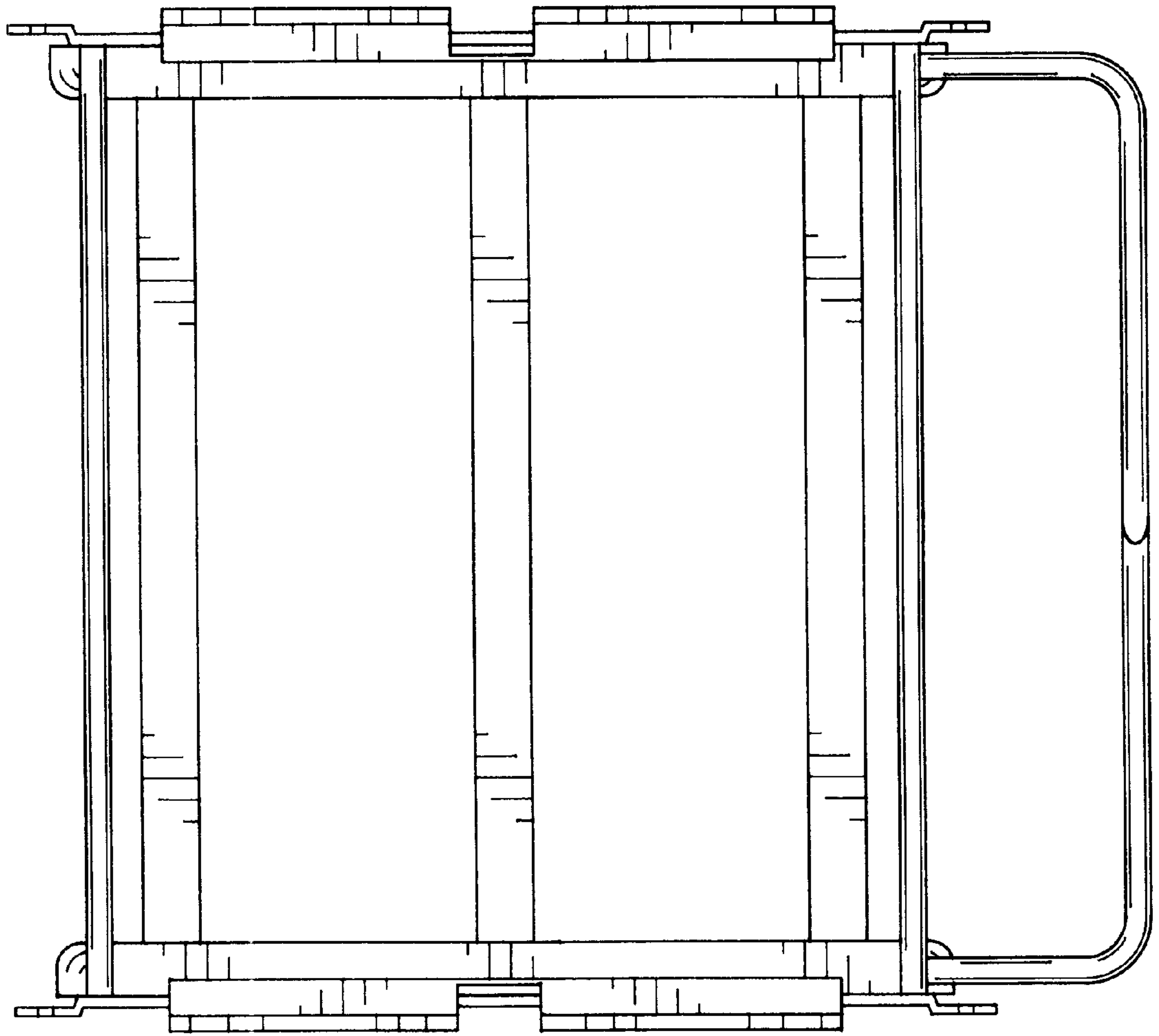


FIG. 6