



US00D412641S

# United States Patent [19] Schiffer

[11] **Patent Number: Des. 412,641**

[45] **Date of Patent: \*\* Aug. 10, 1999**

[54] **COOKWARE COVER HANDLE**

[75] Inventor: **Larry W. Schiffer**, Manitowoc, Wis.

[73] Assignee: **Newell Operating Company**, Freeport, Ill.

[\*\*] Term: **14 Years**

[21] Appl. No.: **29/091,544**

[22] Filed: **Jul. 31, 1998**

[51] **LOC (6) Cl.** ..... **07-02**

[52] **U.S. Cl.** ..... **D7/395**

[58] **Field of Search** ..... D7/393, 395, 354-361;  
99/324, 325; 16/110 R, 114 R, 114 A, 110 A;  
220/912

[56] **References Cited**

**U.S. PATENT DOCUMENTS**

D. 109,481	5/1938	Jackson .	
D. 189,684	1/1961	Rudebeck .....	D7/395
D. 192,258	2/1962	Madl .....	D7/395
D. 204,996	6/1966	Lepoix .	
218,411	8/1879	Wassmer et al. .	
377,712	2/1888	Eymer .	
950,844	3/1910	Dolan .	
2,177,487	10/1939	Howlett .	
4,873,918	10/1989	Goldman .	
4,982,656	1/1991	Stone .	

5,033,453	7/1991	Loyd et al. .
5,086,939	2/1992	Foulkes, Jr. .
5,307,951	5/1994	Kuhn .
5,377,859	1/1995	Hacker .
5,415,082	5/1995	Nagao .
5,615,607	4/1997	Delaquis et al. .

*Primary Examiner*—Caron D. Veynar  
*Attorney, Agent, or Firm*—Foley & Lardner

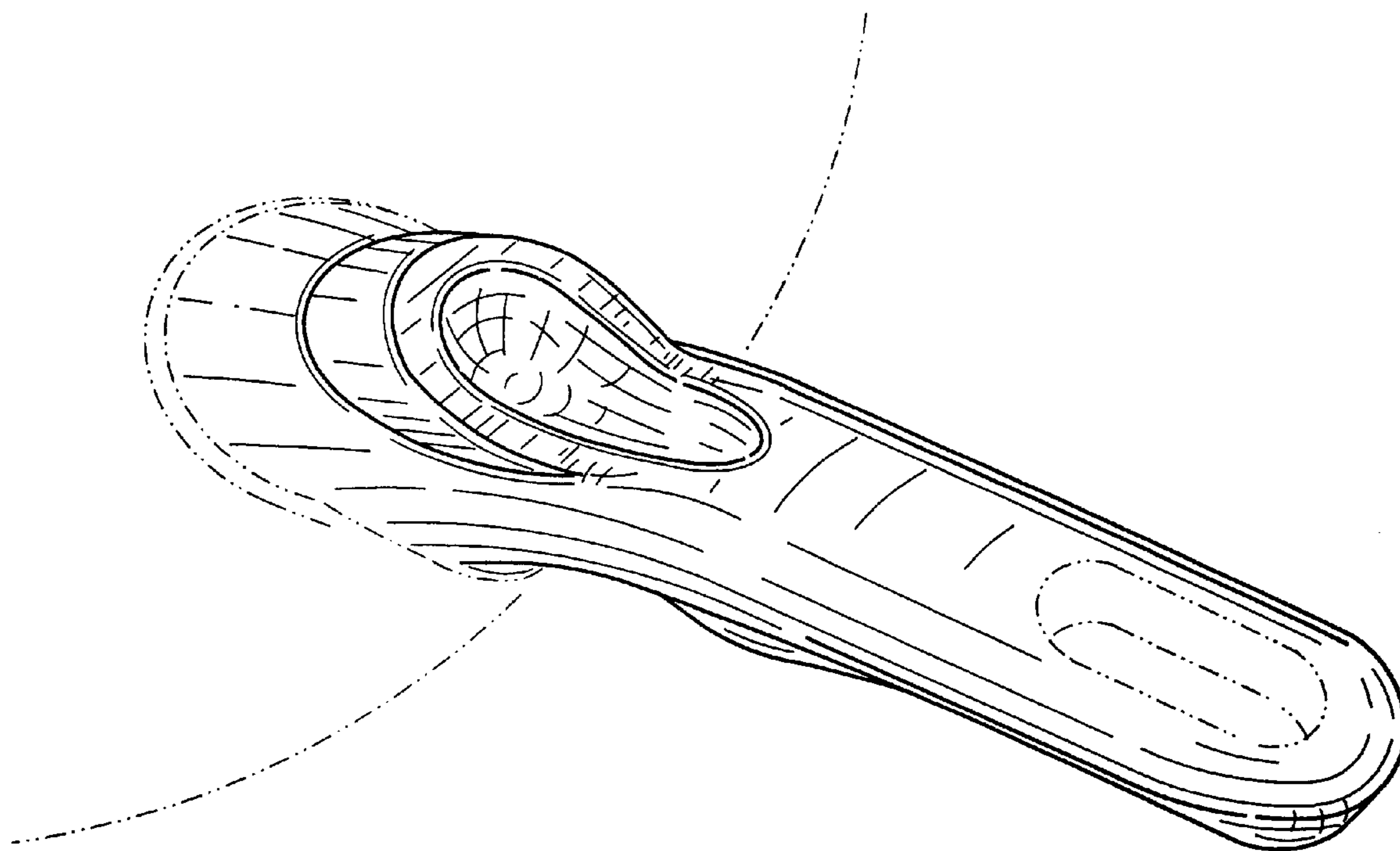
[57] **CLAIM**

The ornamental design for a cookware cover handle, as shown and described.

**DESCRIPTION**

FIG. 1 is a perspective view of a cookware cover handle in accordance with my new design;  
FIG. 2 is a front elevational view thereof, the rear elevational view being a mirror image of the front view shown;  
FIG. 3 is a top plan view thereof;  
FIG. 4 is a bottom view thereof;  
FIG. 5 is an end elevational view thereof as viewed from the left of the front view; and,  
FIG. 6 is an end elevational view thereof as viewed from the right of the front view.  
The broken lines showing further details of the cookware handle are for illustrative purposes only and form no part of the claimed design.

**1 Claim, 2 Drawing Sheets**



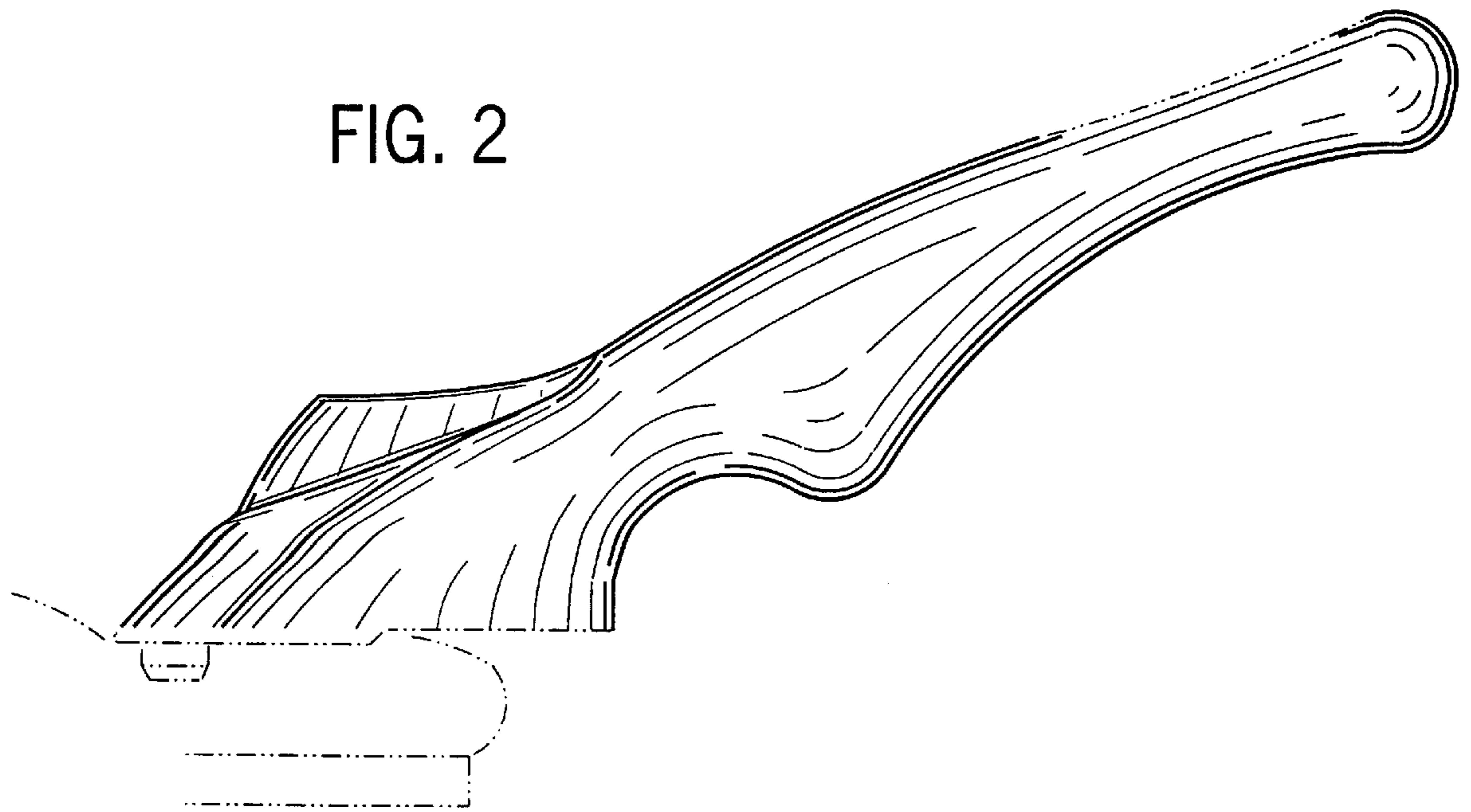
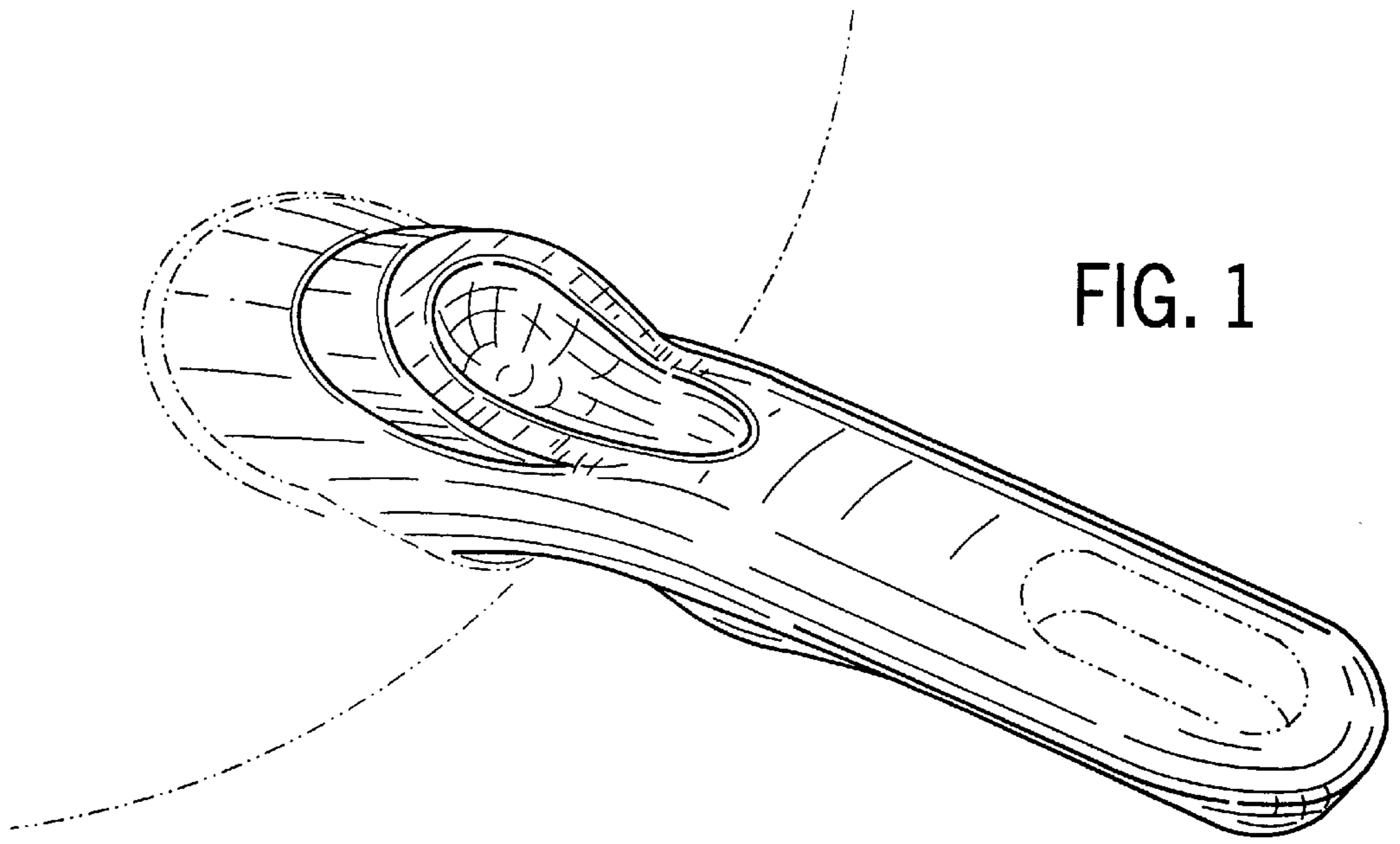


FIG. 3

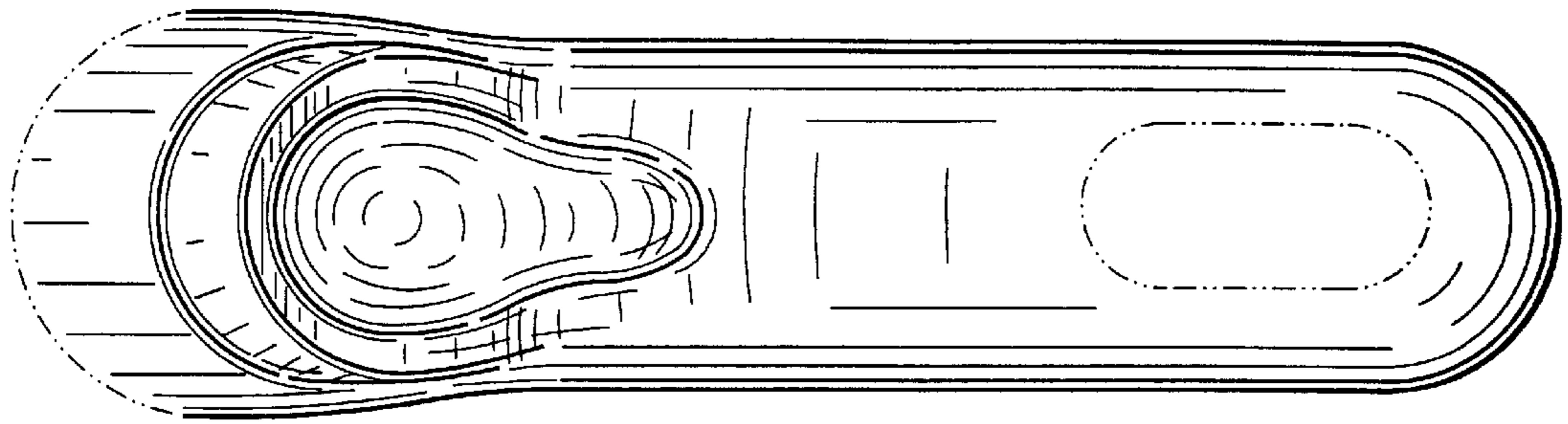


FIG. 4

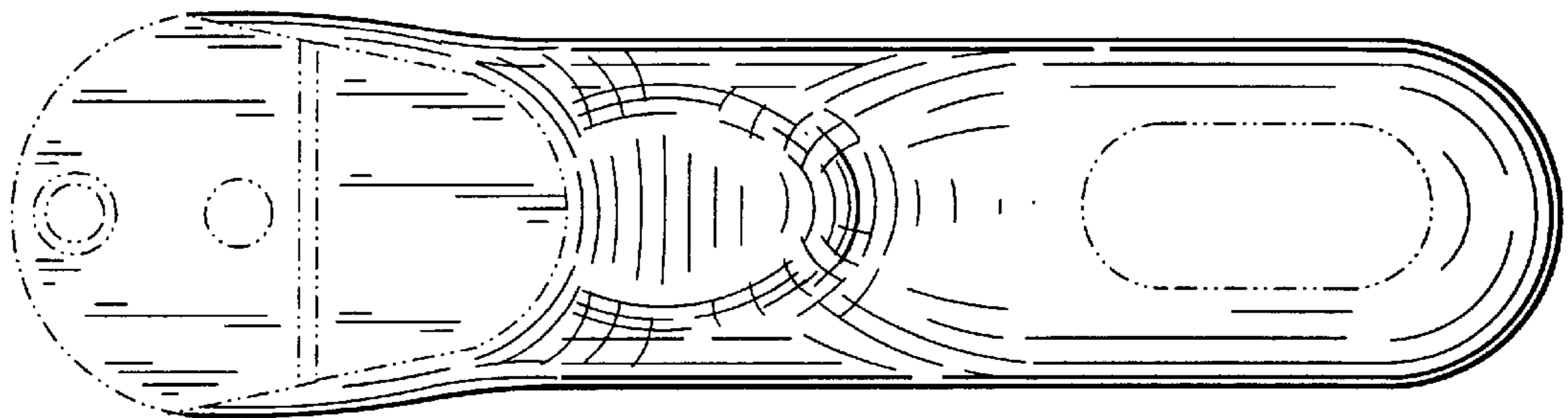


FIG. 5

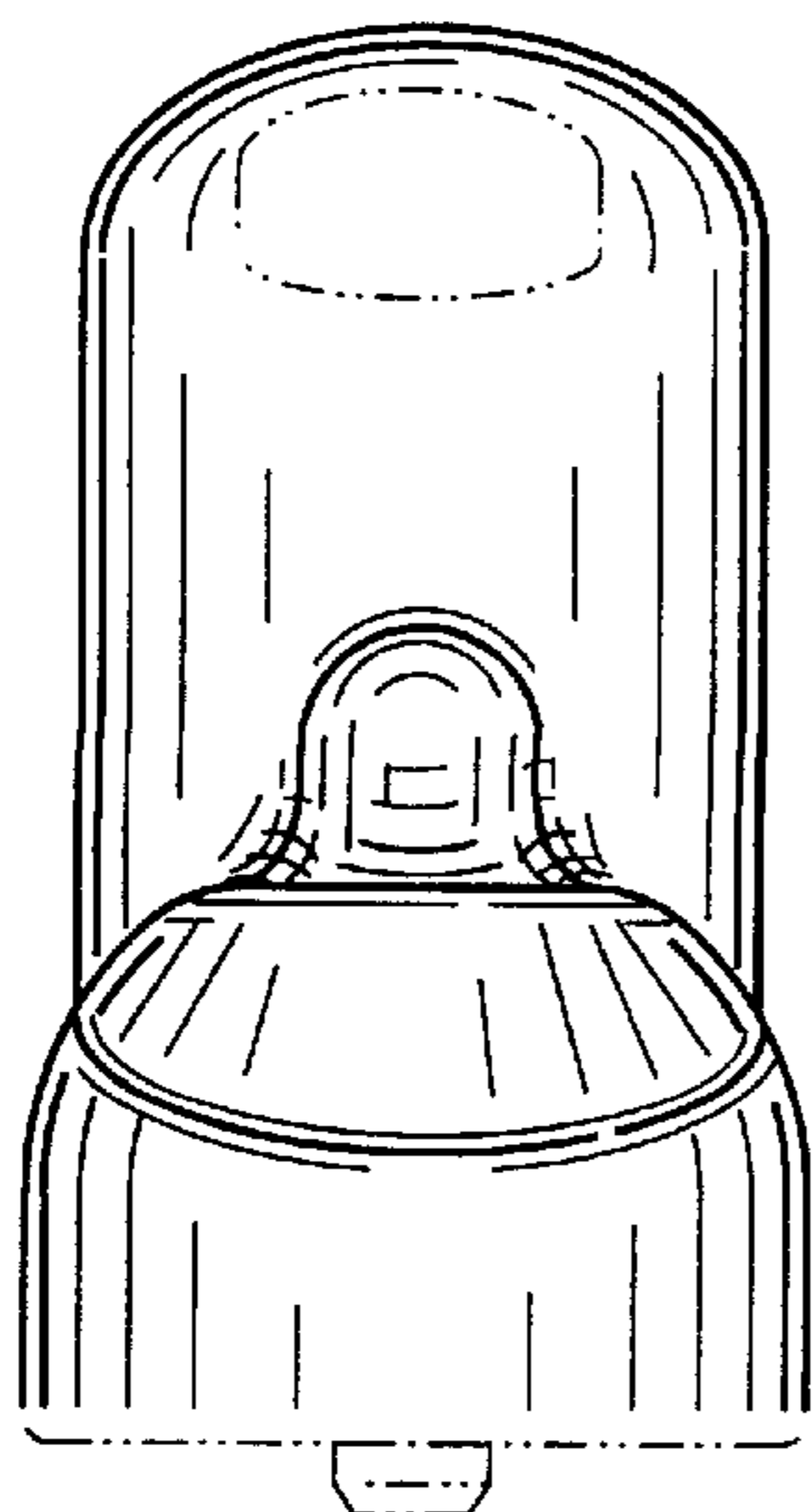


FIG. 6

