



US00D412640S

# United States Patent [19] Much

[11] **Patent Number: Des. 412,640**

[45] **Date of Patent: \*\* Aug. 10, 1999**

[54] **CANTEEN LID**

[75] Inventor: **Hubert G. Much**, Calabasas, Calif.

[73] Assignee: **Muetal, Inc.**, Calabasas, Calif.

[\*\*] Term: **14 Years**

[21] Appl. No.: **29/088,837**

[22] Filed: **Jun. 2, 1998**

[51] **LOC (6) Cl. .... 07-99**

[52] **U.S. Cl. .... D7/392; D7/392.1**

[58] **Field of Search .... D7/391, 392, 392.1, D7/601, 602, 605, 608, 538, 541, 542, 510, 511, 396.2, 6.2, 321, 3.3; D9/503, 435, 440, 445, 446, 447, 454; 220/711, 713, 254**

[56] **References Cited**

**U.S. PATENT DOCUMENTS**

D. 181,199	10/1957	Jocelyn	.....	D7/392	X
D. 221,886	9/1971	Gruett	.....	D7/392	X
D. 275,181	8/1984	Jeffries et al.	.....	D9/447	X
D. 288,667	3/1987	Miner	.....	D9/443	
D. 294,325	2/1988	Fiore, Jr.	.....	D7/320	
D. 321,624	11/1991	Fiore et al.	.....	D7/321	

D. 324,822	3/1992	Brabeck et al.	.....	D9/446	X
D. 355,121	2/1995	Kohl	.....	D9/447	
D. 364,810	12/1995	Meisner	.....	D9/446	
5,088,614	2/1992	Dumestre	.....	220/713	

*Primary Examiner*—M. N. Pandozzi  
*Attorney, Agent, or Firm*—Kelly Bauersfeld Lowry & Kelley, LLP

[57] **CLAIM**

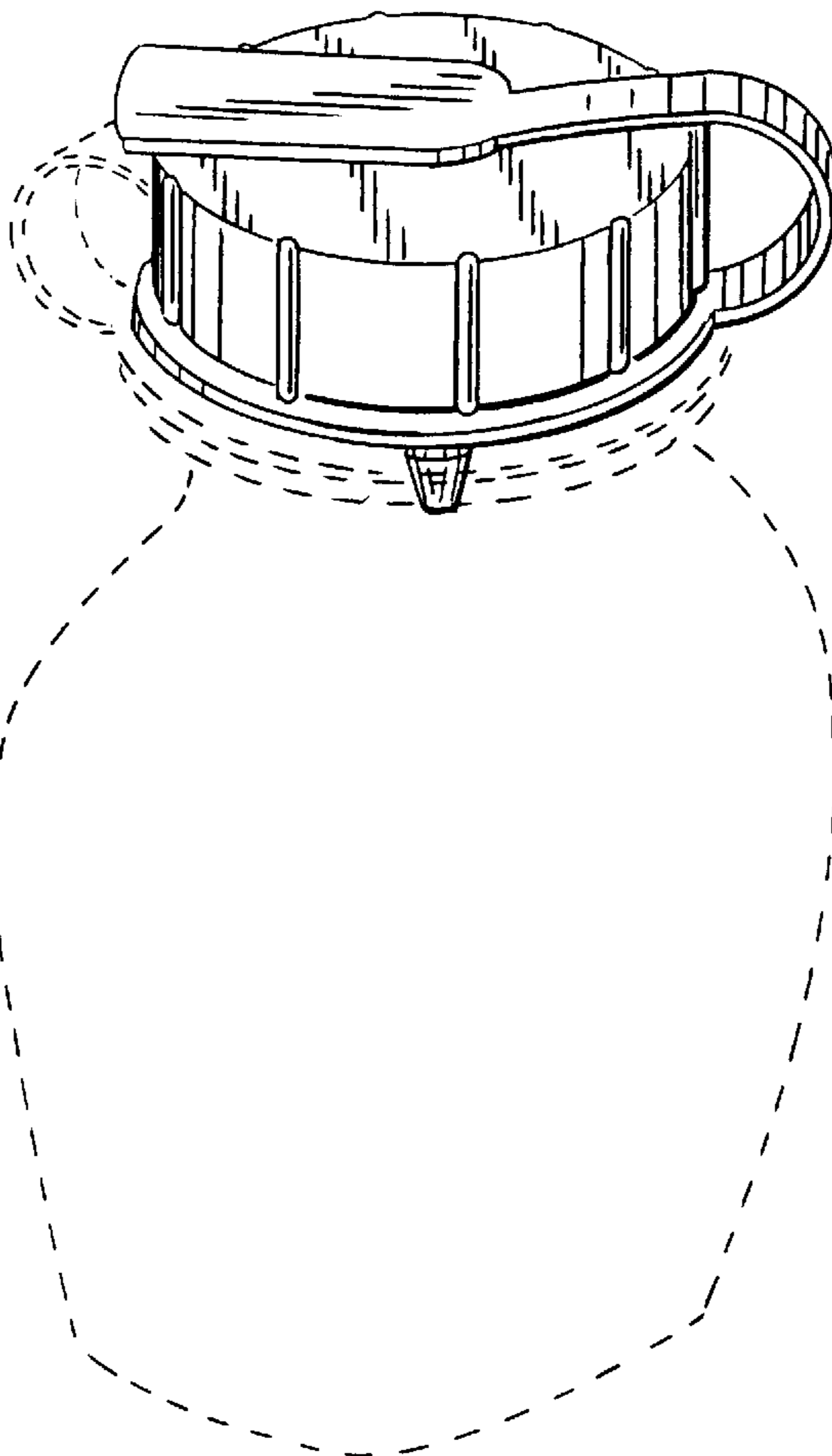
The ornamental design for a canteen lid, as shown and described.

**DESCRIPTION**

FIG. 1 is a top and left side perspective view of a canteen lid showing my new design;  
FIG. 2 is a front elevational view thereof;  
FIG. 3 is a rear elevational view thereof;  
FIG. 4 is a right side elevational view thereof;  
FIG. 5 is a left side elevational view thereof;  
FIG. 6 is a top plan view; and,  
FIG. 7 is a bottom plan view thereof.

The broken line showing of a canteen in FIG. 1 is for illustrative purposes only and forms no part of the claimed design.

**1 Claim, 2 Drawing Sheets**



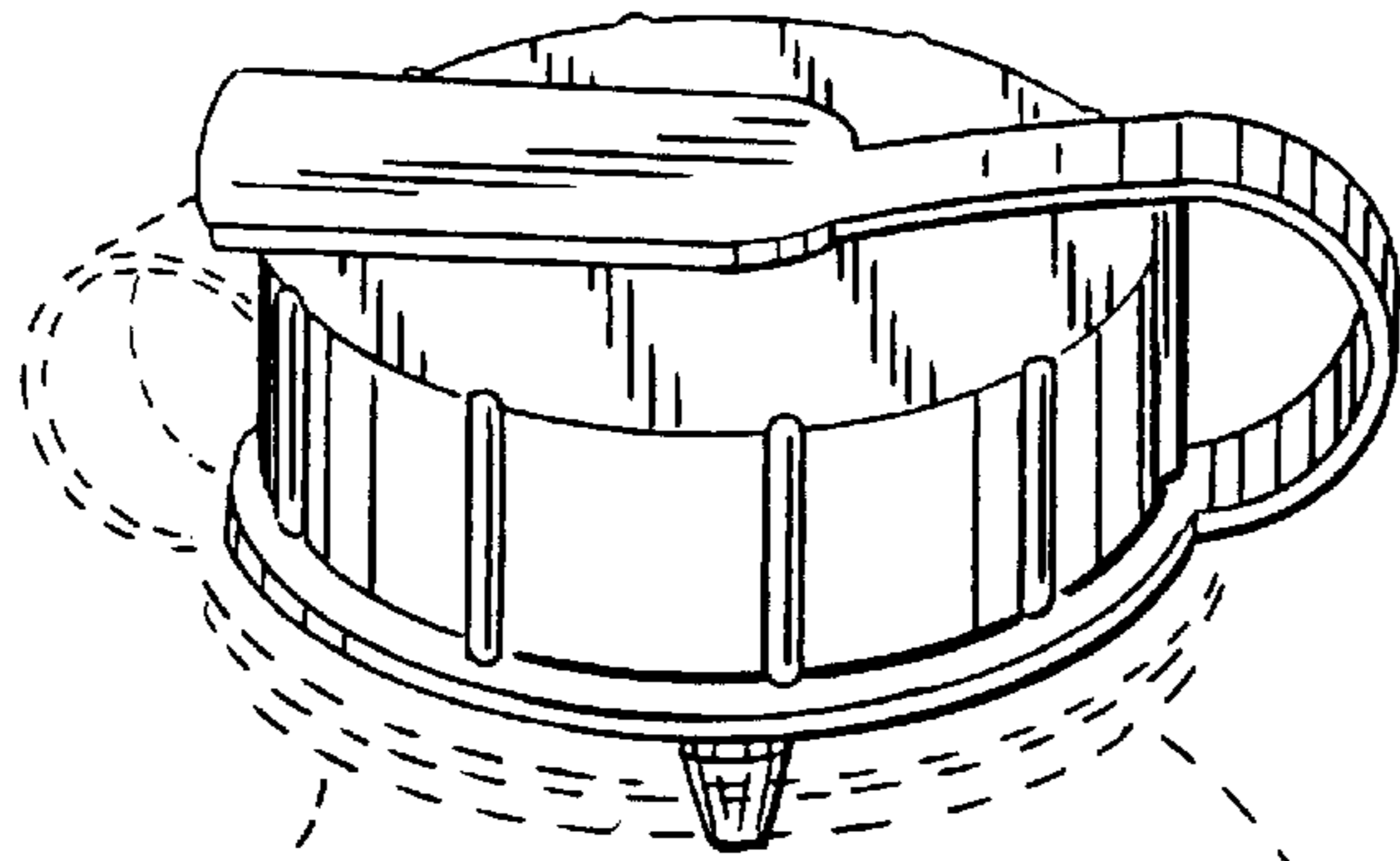


FIG. 1

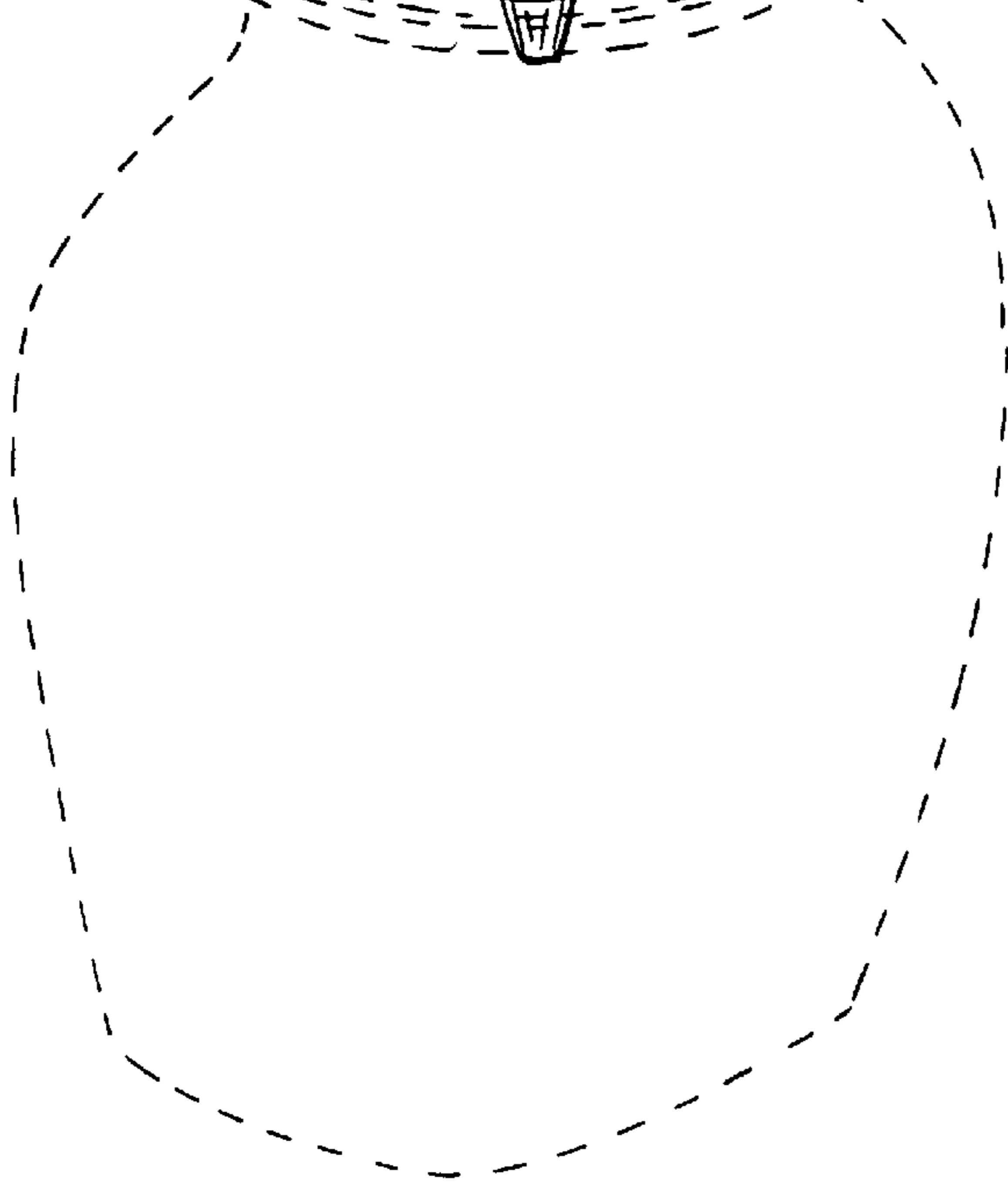


FIG. 2

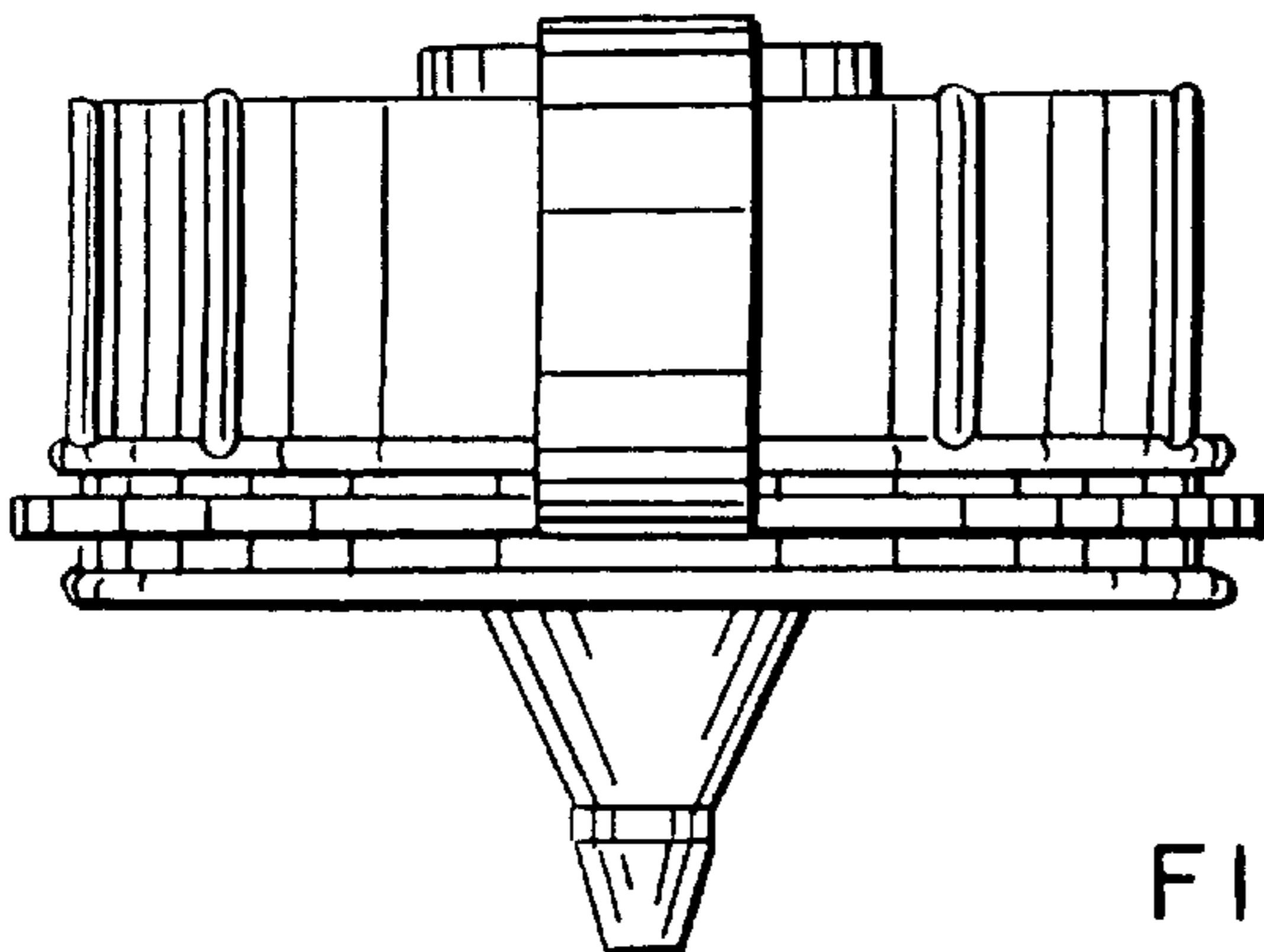
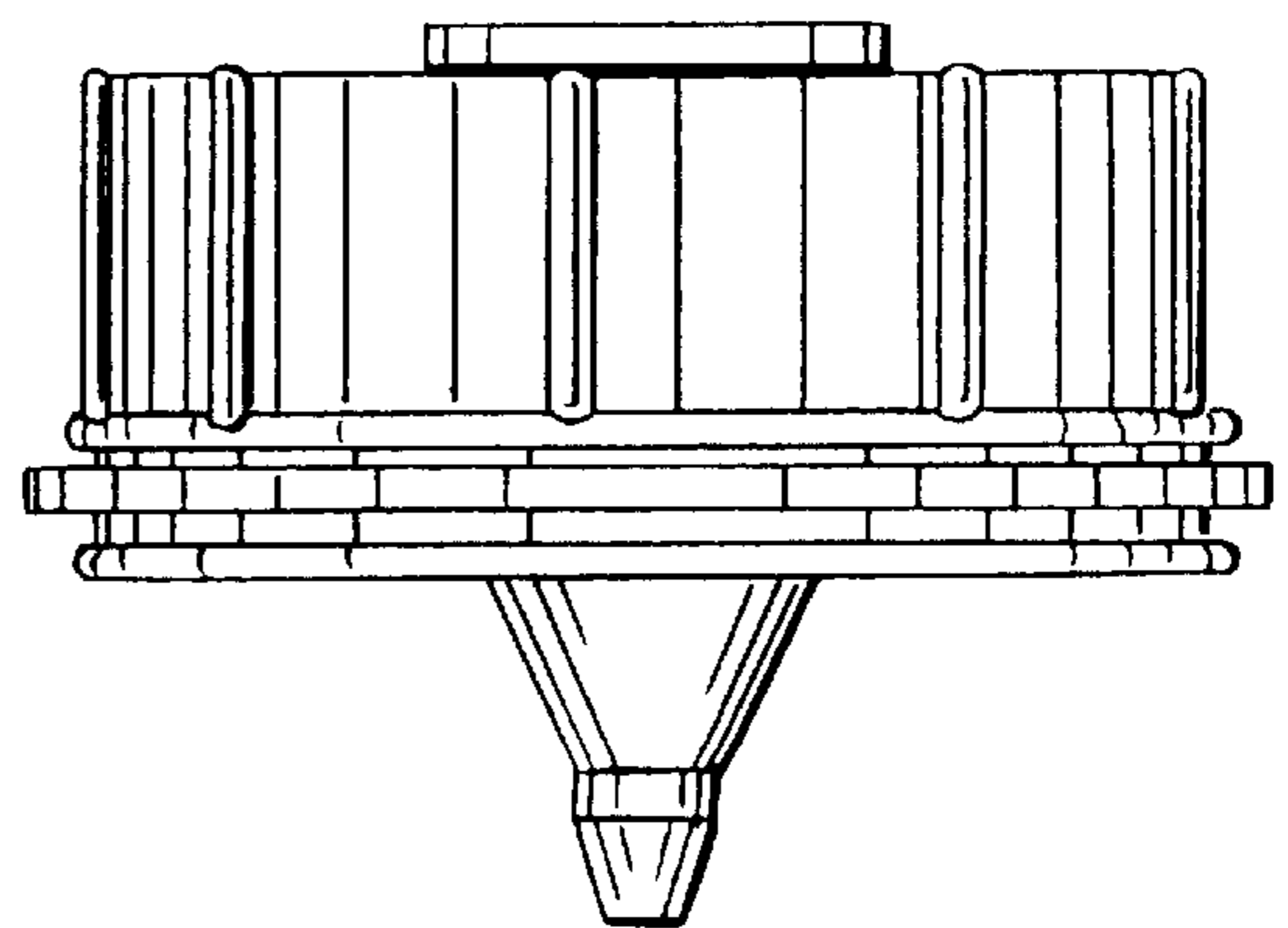


FIG. 3

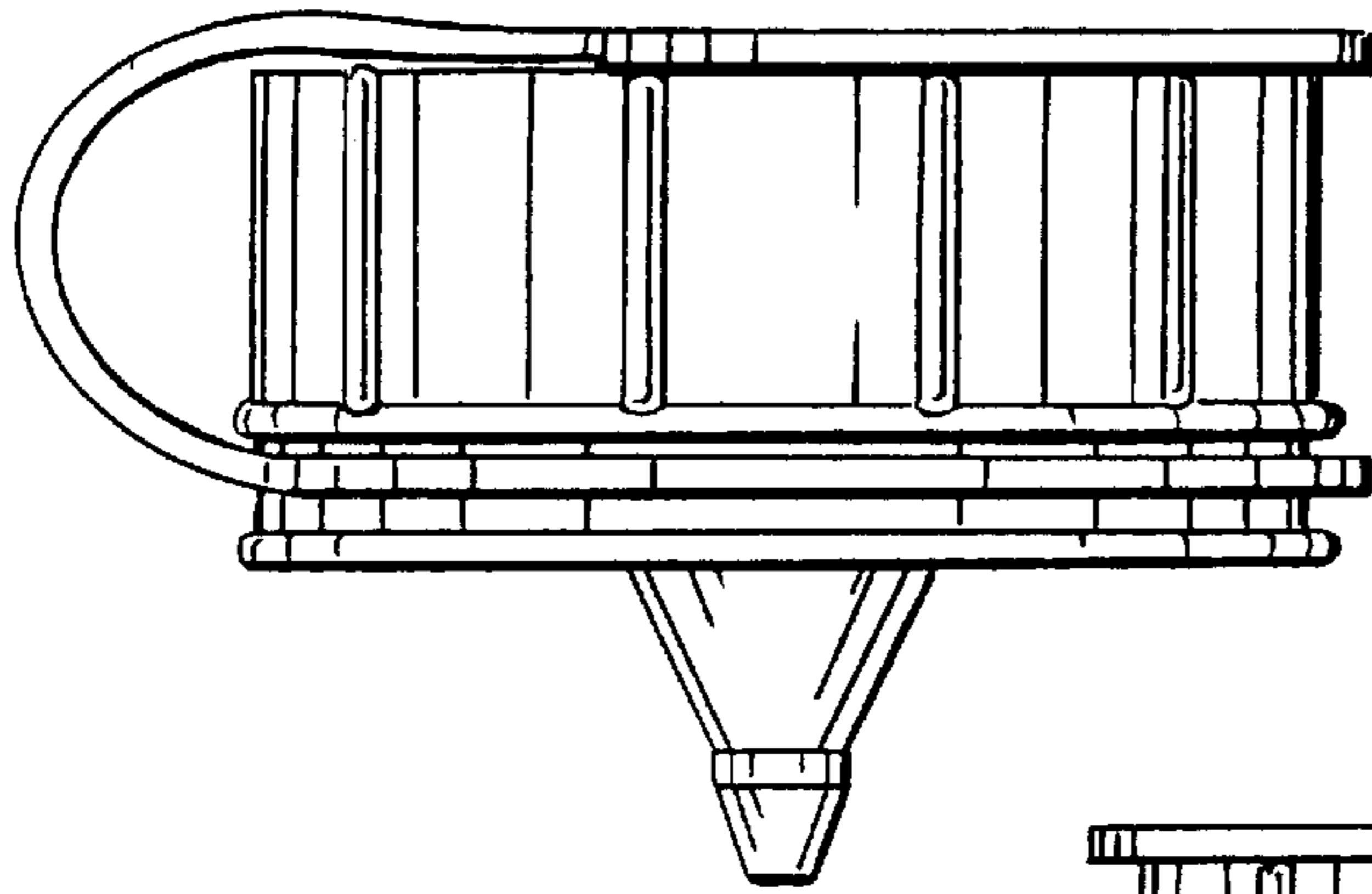


FIG. 4

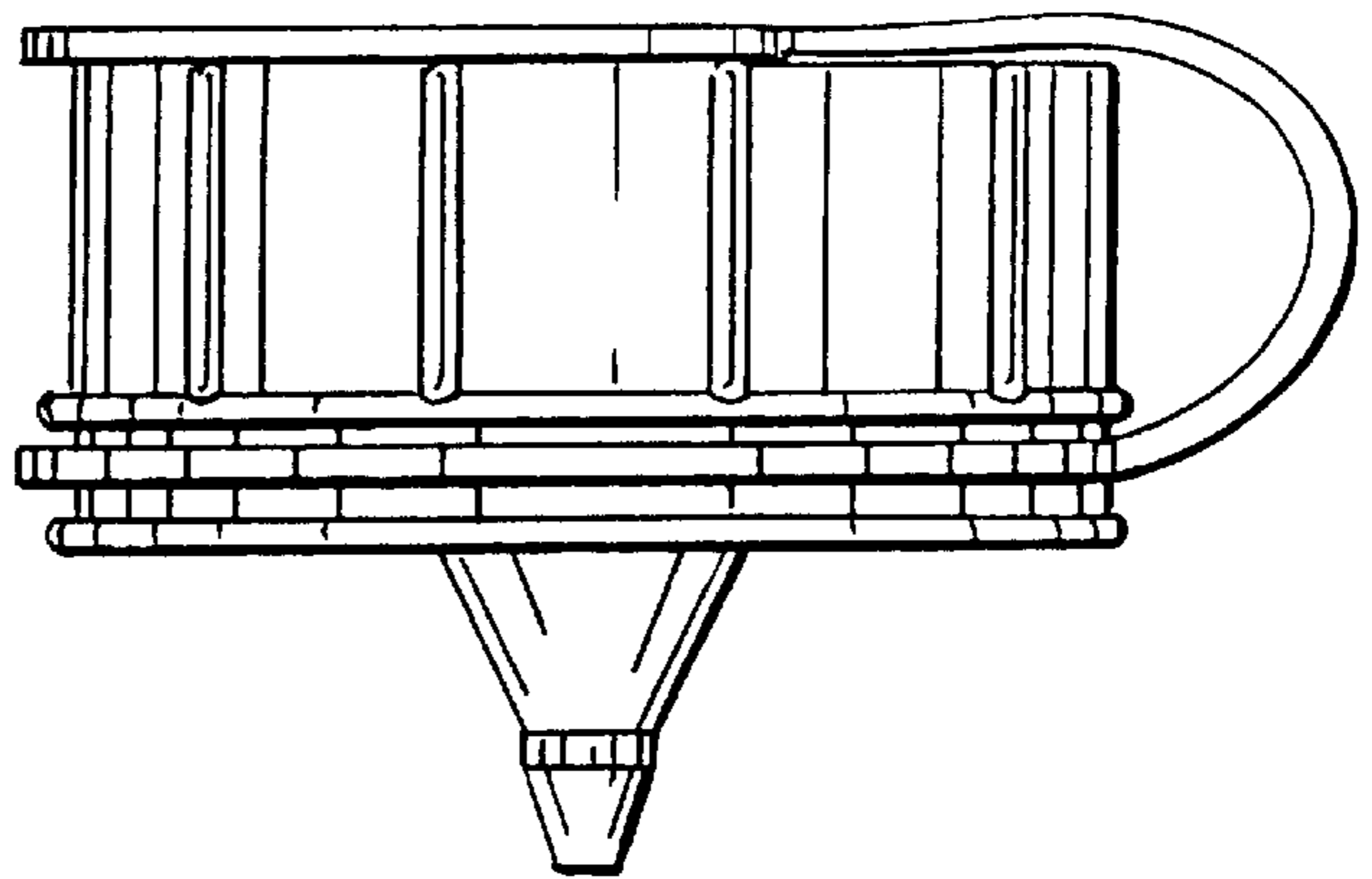


FIG. 5

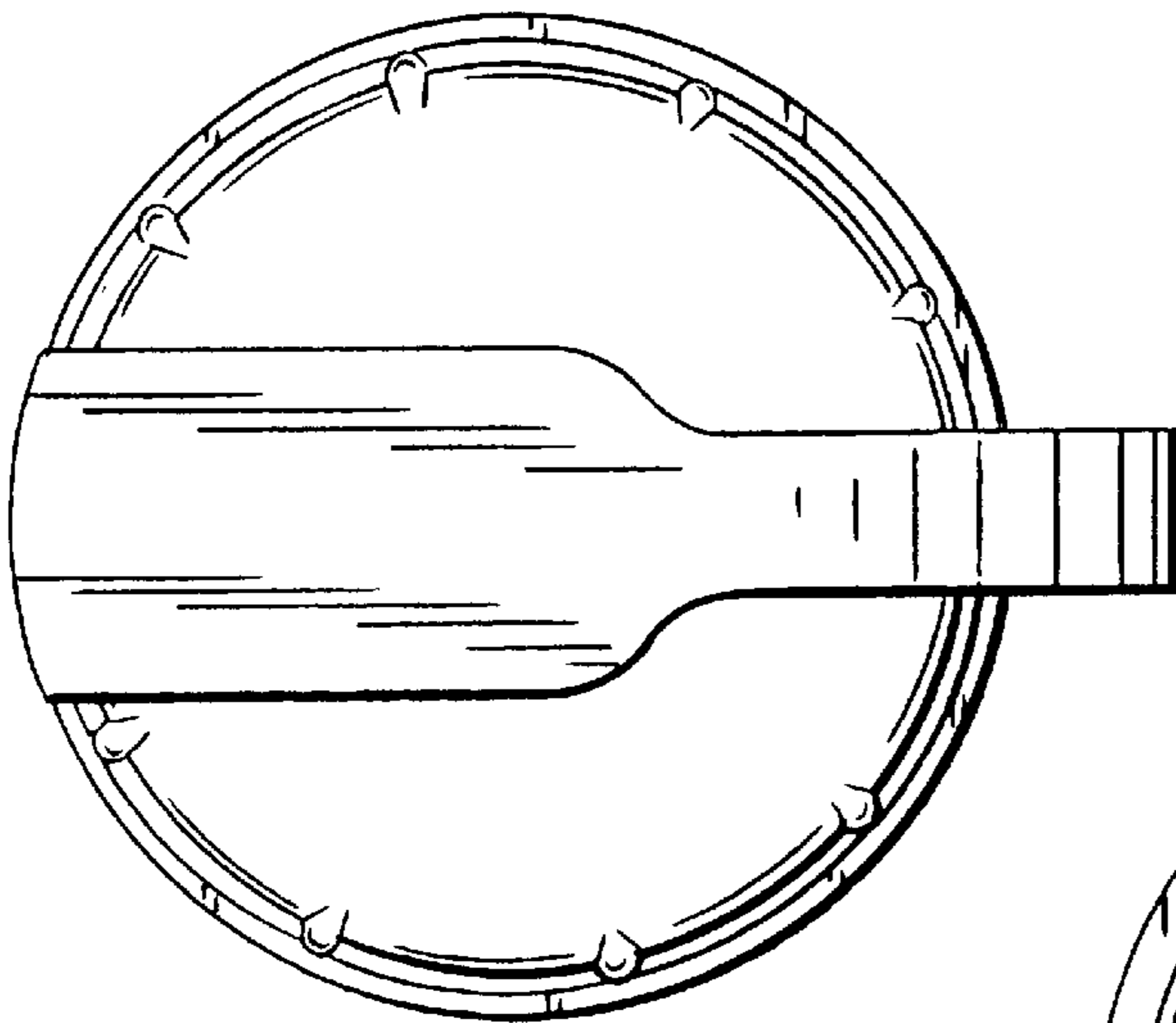


FIG. 6

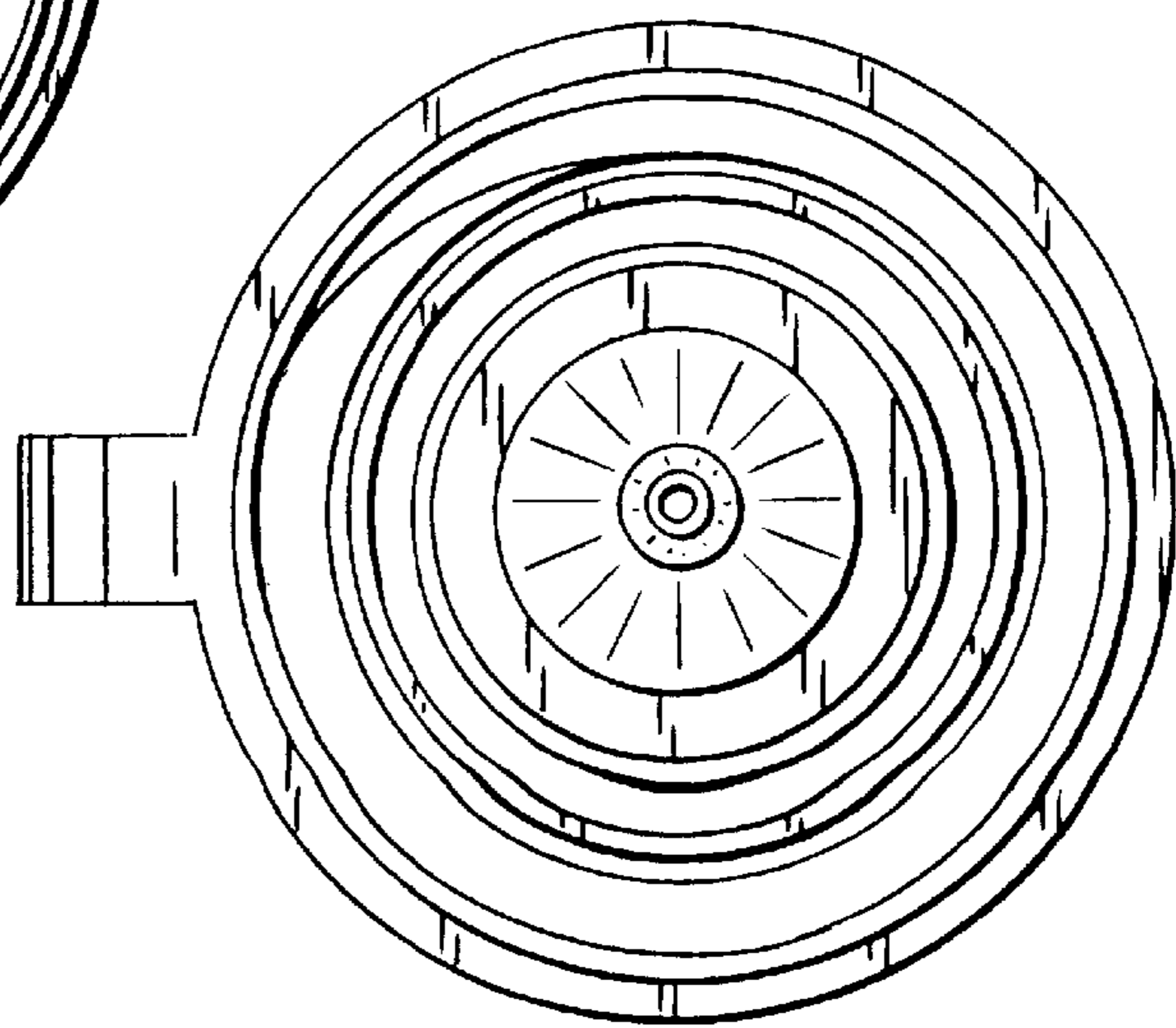


FIG. 7