



US00D412631S

United States Patent [19] Green

[11] **Patent Number: Des. 412,631**

[45] **Date of Patent: ** Aug. 10, 1999**

[54] **DISPLAY BOX WITH DISPLAY PACKS**

[75] Inventor: **Jeffrie Green**, Beverly Hills, Calif.

[73] Assignee: **U.S. Optical Merchants, Inc.**, Los Angeles, Calif.

[**] Term: **14 Years**

[21] Appl. No.: **29/077,294**

[22] Filed: **Oct. 1, 1997**

[51] **LOC (6) Cl.** **06-04**

[52] **U.S. Cl.** **D6/467**

[58] **Field of Search** D6/407, 627, 629, D6/466-468, 475, 476, 449, 301, 408; D9/341, 414, 415, 424; 211/184, 10, 11, 13.1, 44, 51, 59.2, 59.3, 71.01, 86.01, 126.1, 133.1, 126.14; 206/736, 737, 738, 739, 745, 756

[56] **References Cited**

U.S. PATENT DOCUMENTS

D. 176,051	11/1955	Westernacher	D8/475
D. 178,312	7/1956	Schladermundt	D6/476
D. 353,092	12/1994	Green	D9/415
2,078,018	4/1937	Powell	206/41
3,009,622	11/1961	Leone	229/16
3,313,407	4/1967	Palm, Jr.	206/65
3,314,530	4/1967	Michalka	206/44
3,343,659	9/1967	Marondel	206/45.31
3,856,137	12/1974	Brindley	206/73
3,927,761	12/1975	Boyle	206/45.14
4,025,039	5/1977	Croll et al.	229/27
4,485,922	12/1984	Desmond et al.	206/485
4,582,194	4/1986	Karpiloff et al.	206/44 R
4,749,082	6/1988	Gardiner et al.	206/349
4,848,577	7/1989	Hoffman et al.	206/467
5,069,349	12/1991	Wear et al.	211/59.3
5,097,953	3/1992	Gingras	206/454
5,232,102	8/1993	Ozawa	211/59.2 X
5,363,964	11/1994	Hexter, Jr.	206/449
5,573,117	11/1996	Adams	206/449

Primary Examiner—Doris V. Coles
Assistant Examiner—Linda Brooks

Attorney, Agent, or Firm—Sheppard, Mullin, Richter & Hampton, LLP

[57] **CLAIM**

The ornamental design for a display box with display packs, as shown and described.

DESCRIPTION

FIG. 1 is a perspective view, having an exploded and cutaway portion to better depict the ornamental features, of a first embodiment of a display box with display packs embodying my new design.

FIG. 2 is an enlarged front elevational view of the embodiment depicted in FIG. 1.

FIG. 3 is a rear elevational view of the embodiment depicted in FIG. 2.

FIG. 4 is a right side elevational view, as well as a mirror image of a left side elevational view, of the embodiment depicted in FIG. 2.

FIG. 5 is a top plan view of the embodiment depicted in FIG. 2.

FIG. 6 is a perspective view of a second embodiment of FIG. 1, the only difference being the decreased number of display packs and the decreased length of the box, it being understood that all the other surfaces are the same as embodiment 1, as shown in FIGS. 1-5.

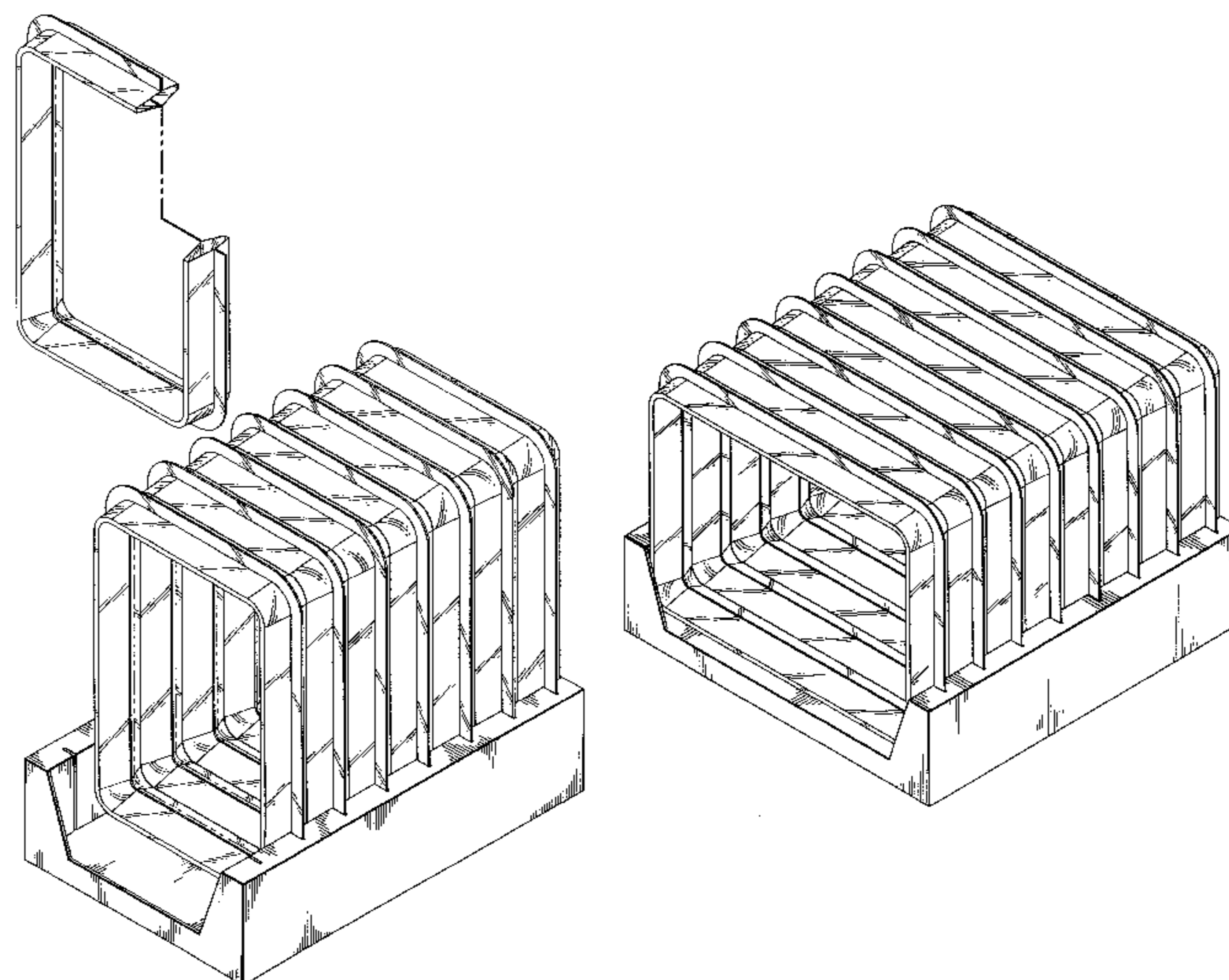
FIG. 7 is a perspective view of a third embodiment of FIG. 1 shown on a reduced scale for ease of illustration, the only difference being the increased number of display packs and the increased length of the box, it being understood that all the other surfaces are the same as embodiment 1, as shown in FIGS. 1-5; and,

FIG. 8 is a perspective view of a fourth embodiment of FIG. 1, the only difference being the different shape of the display packs and box, it being understood that all the other surfaces are the same as embodiment 1, as shown in FIGS. 1-5.

Each of the embodiments comprise an assembly of a display box with a plurality of display packs for holding a plurality of products.

The bottom of the display box with display packs forms no part of the claimed design. The broken lines, which define the bounds of the claimed design, form no part thereof.

1 Claim, 7 Drawing Sheets



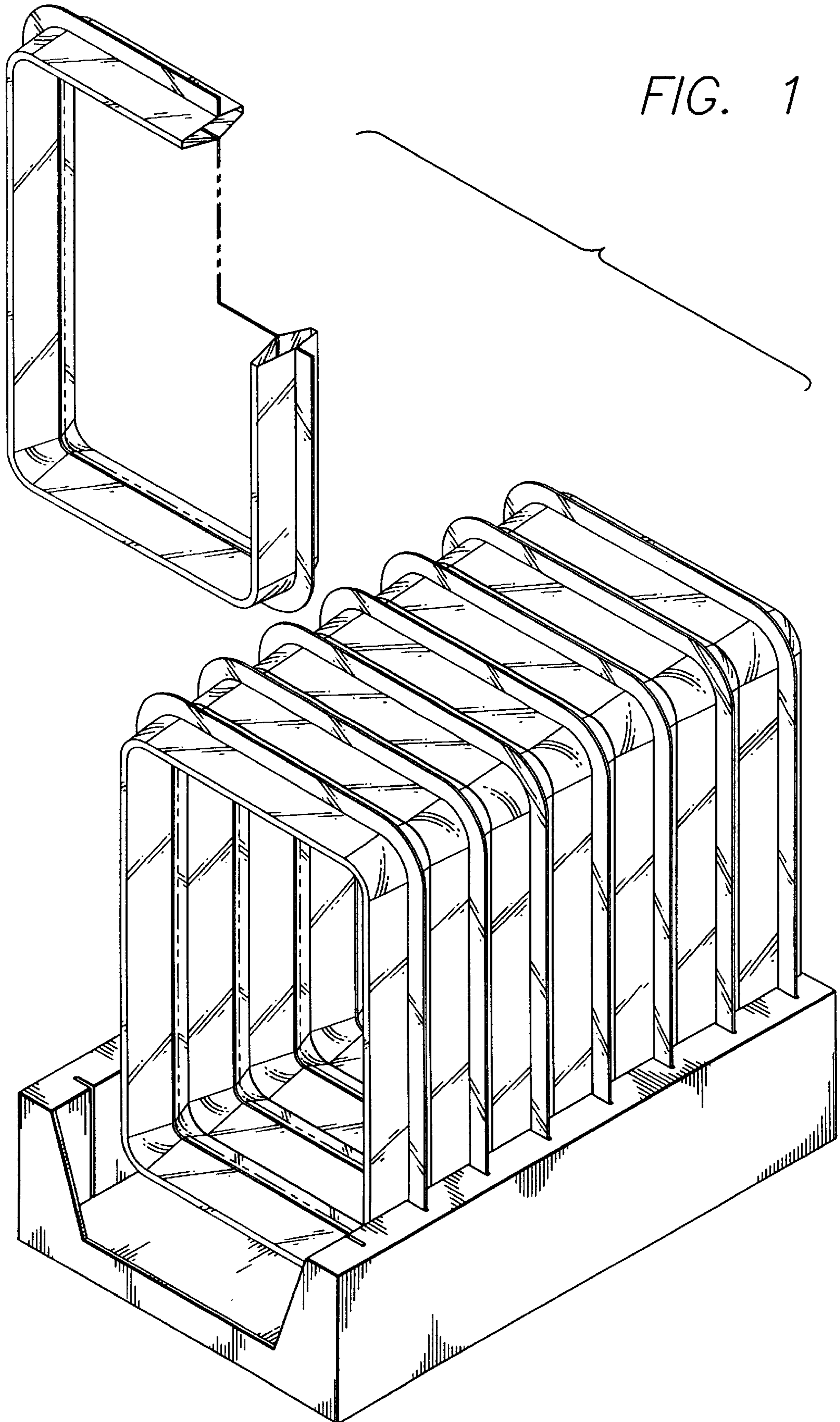


FIG. 1

FIG. 3

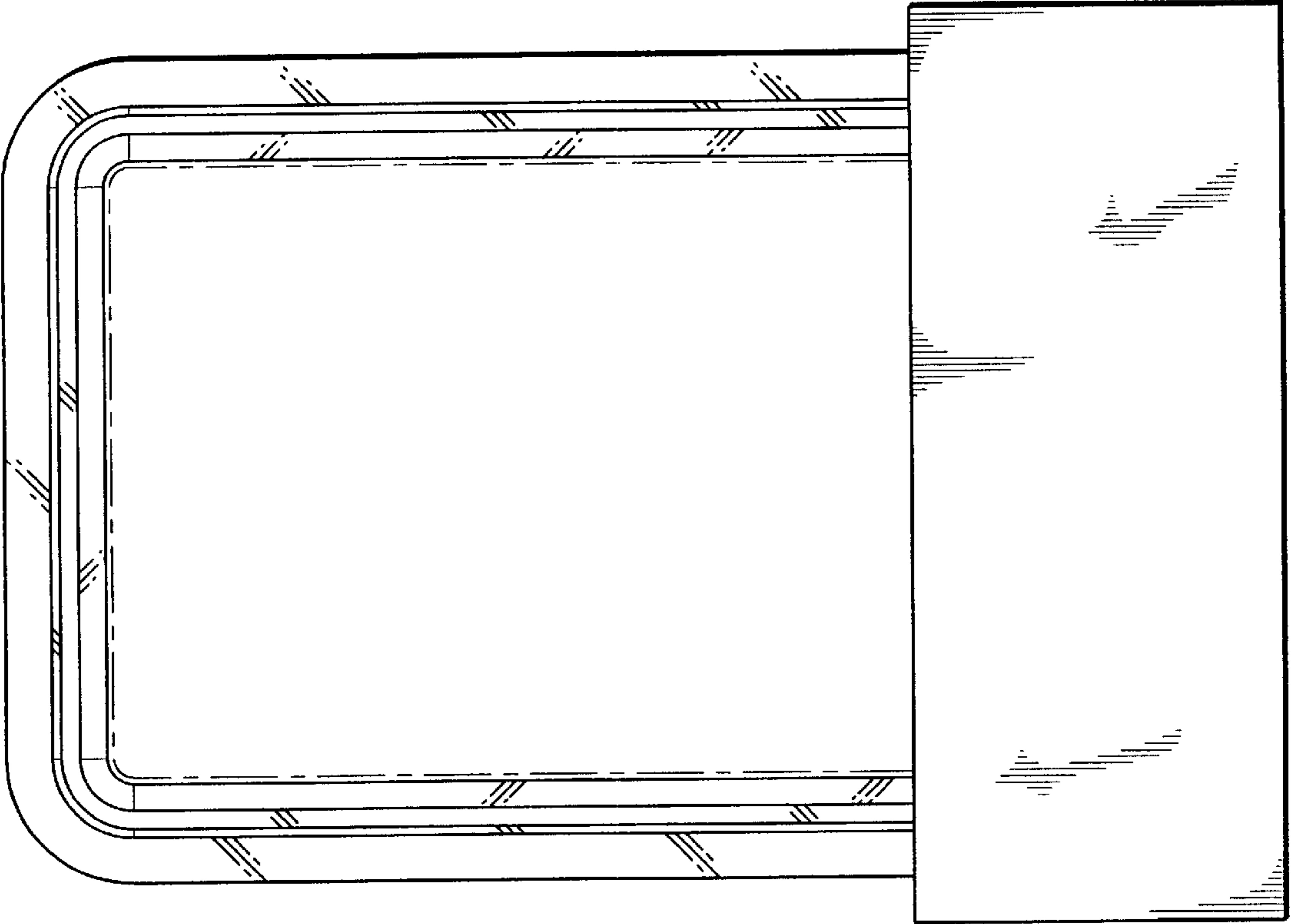
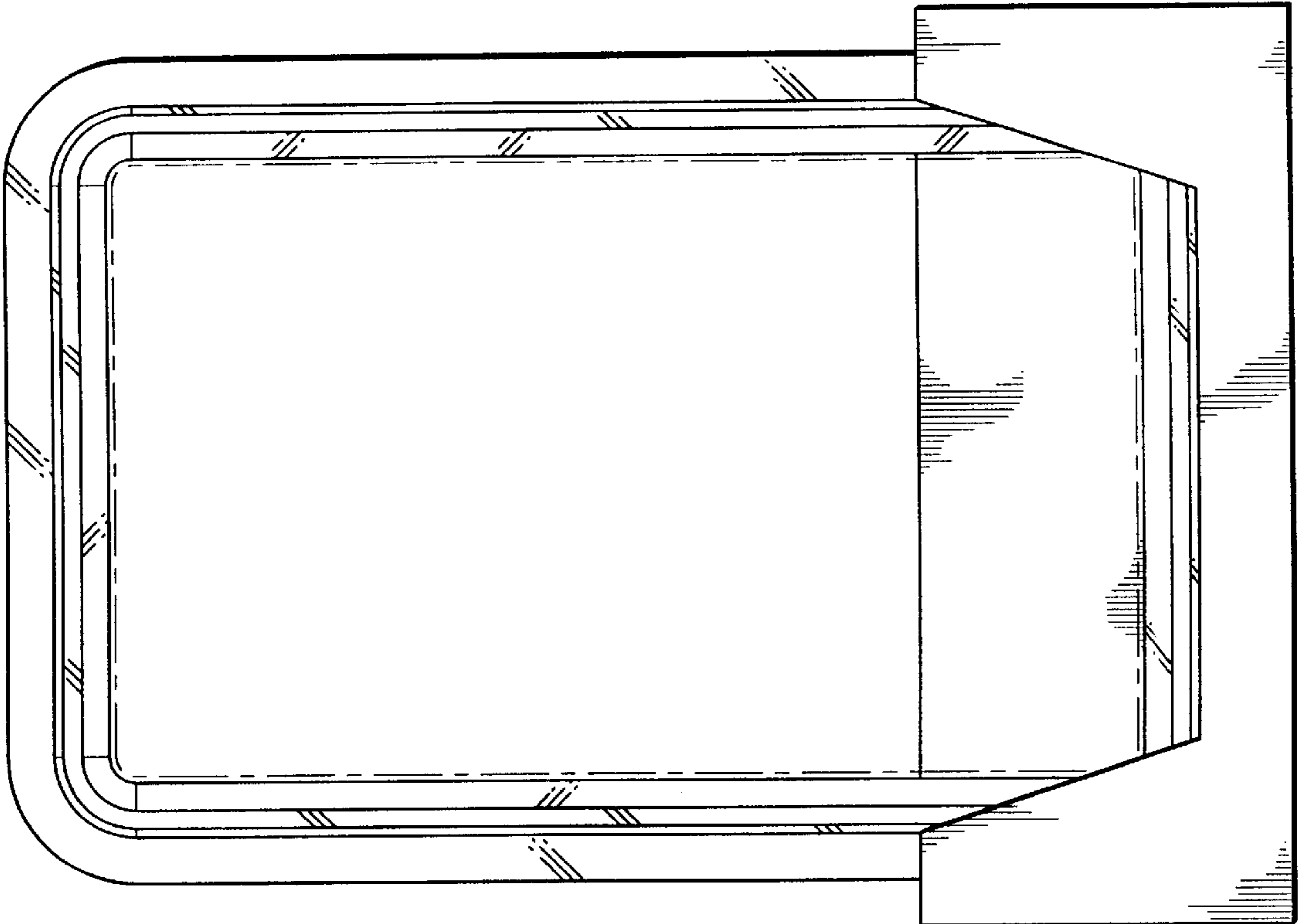


FIG. 2



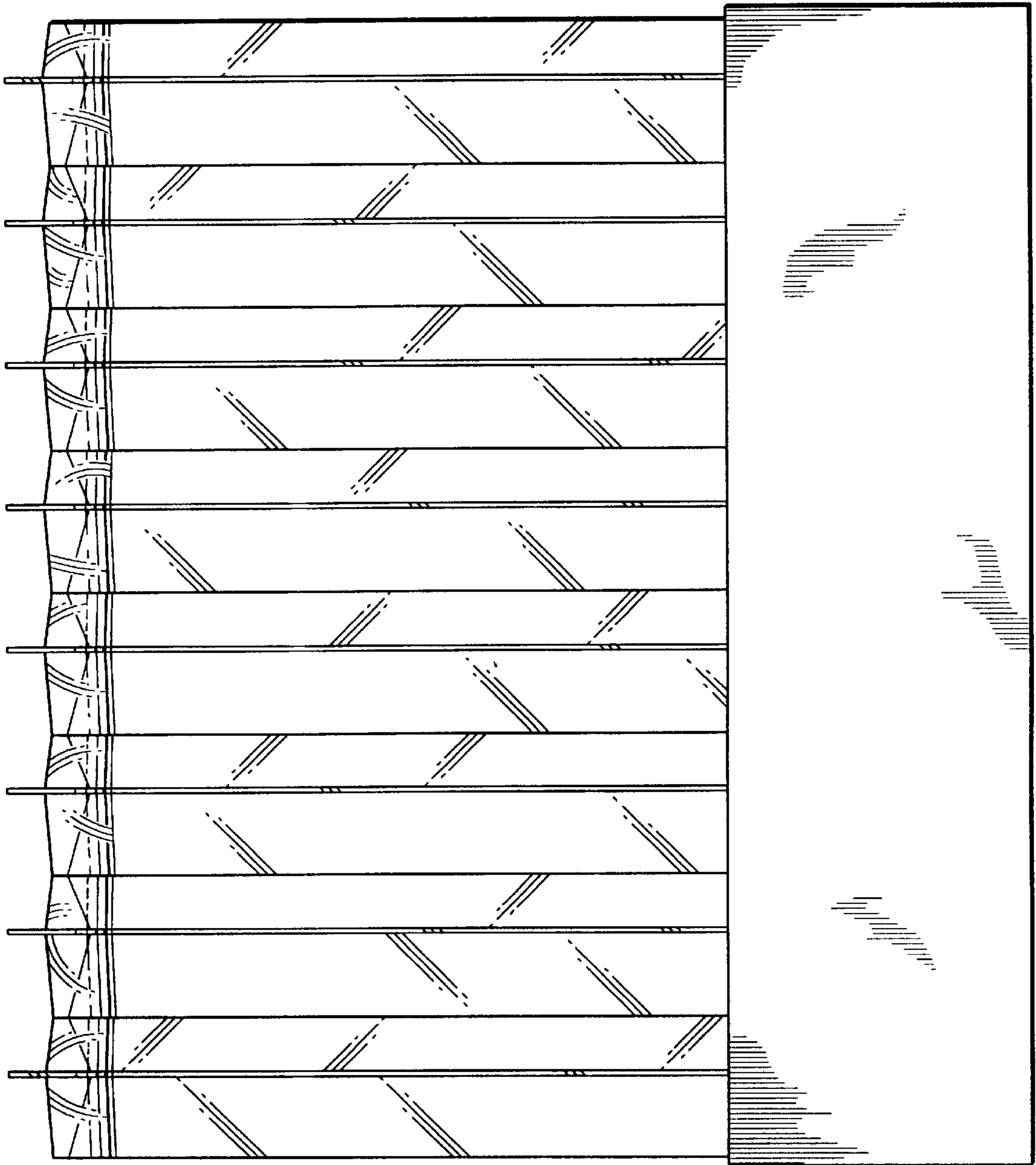


FIG. 4

FIG. 5

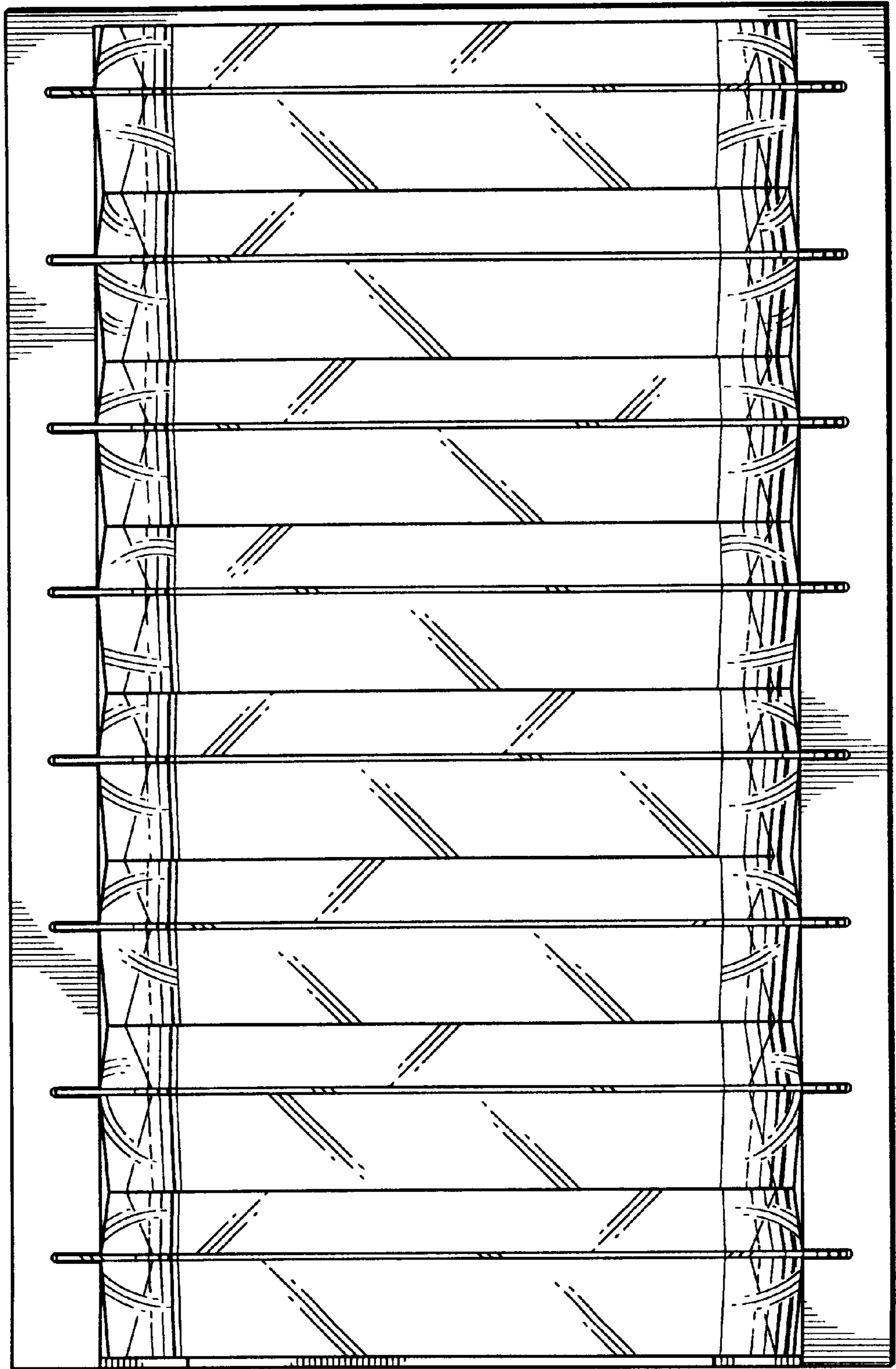
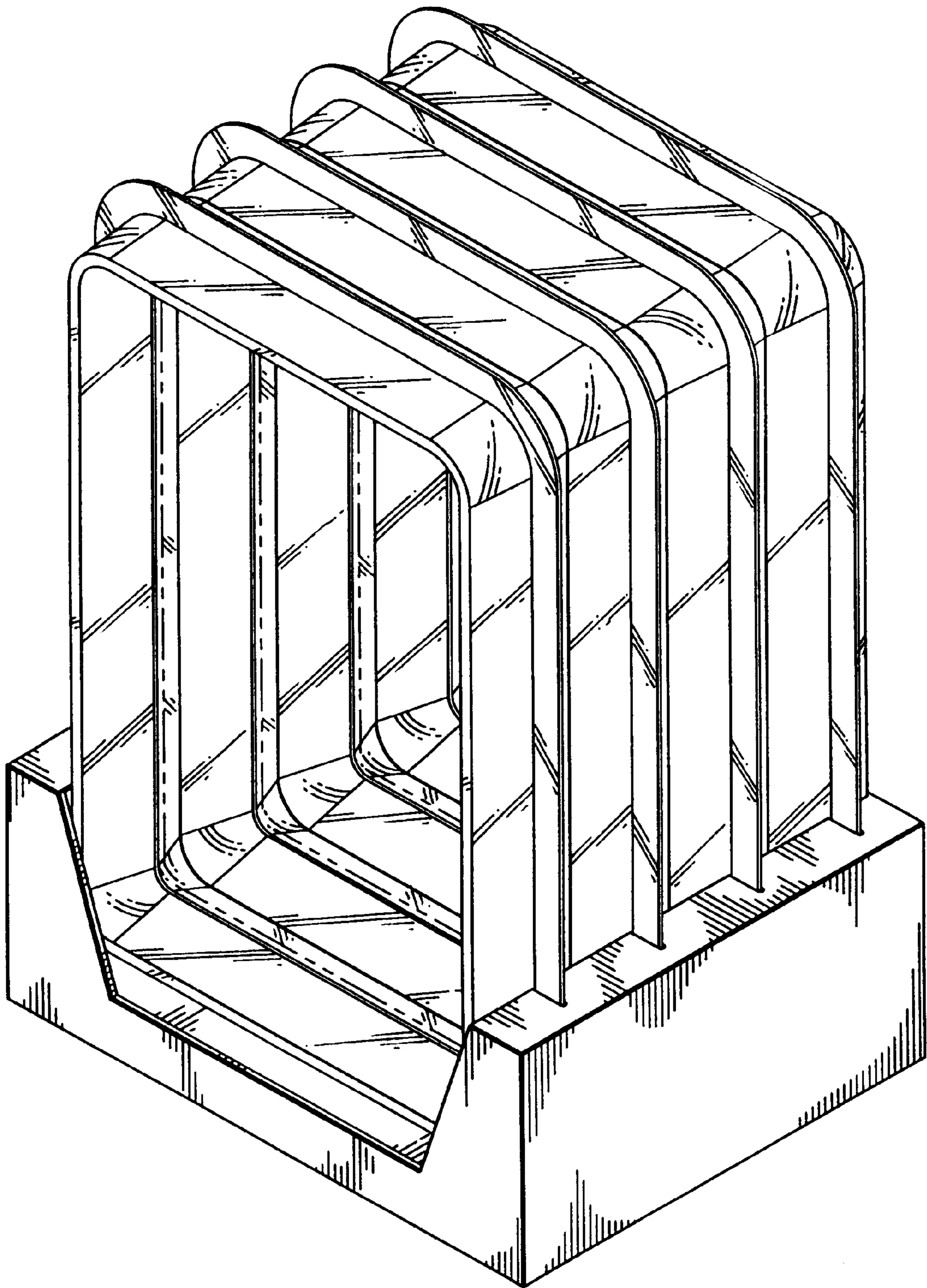


FIG. 6



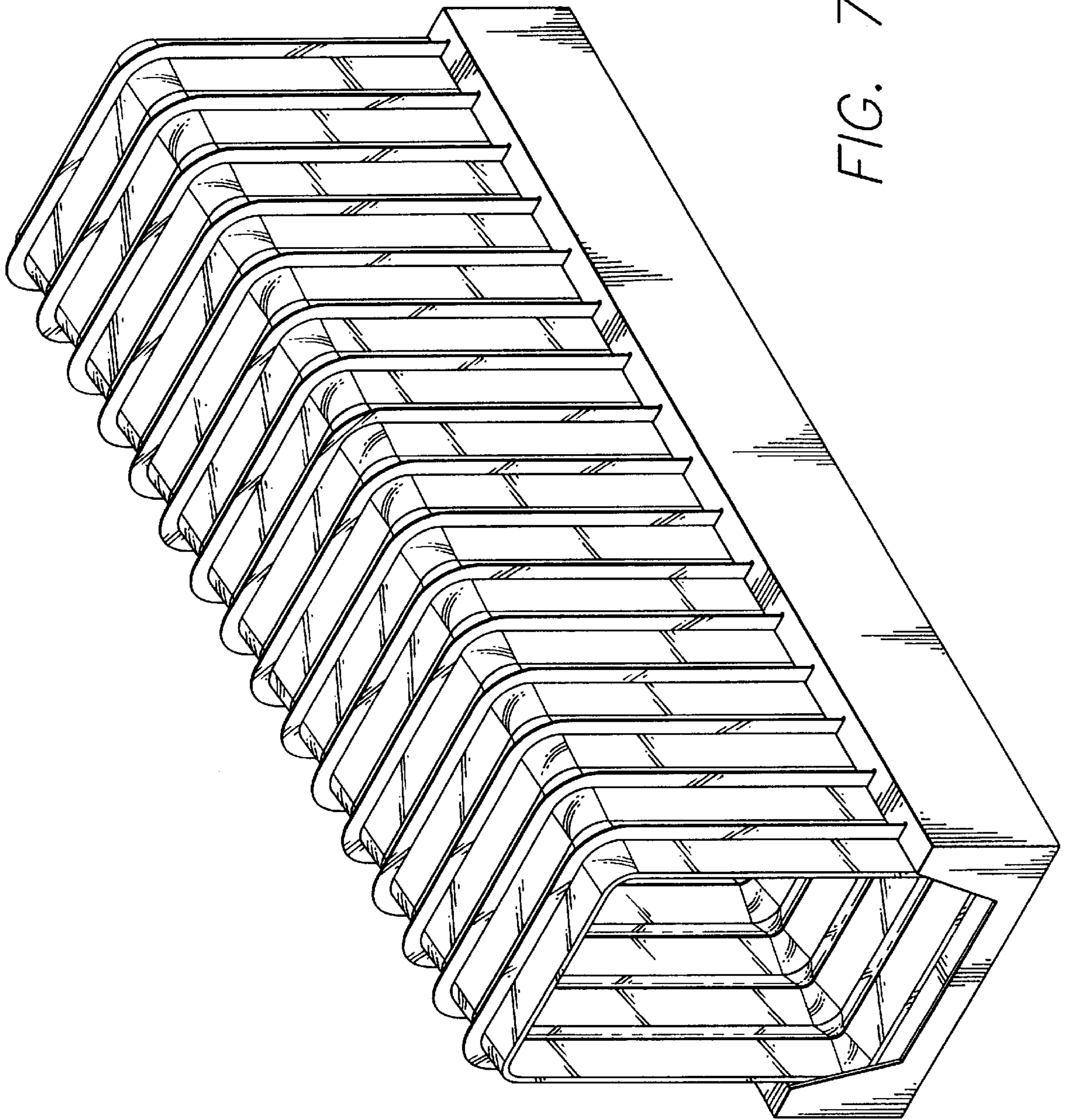


FIG. 7

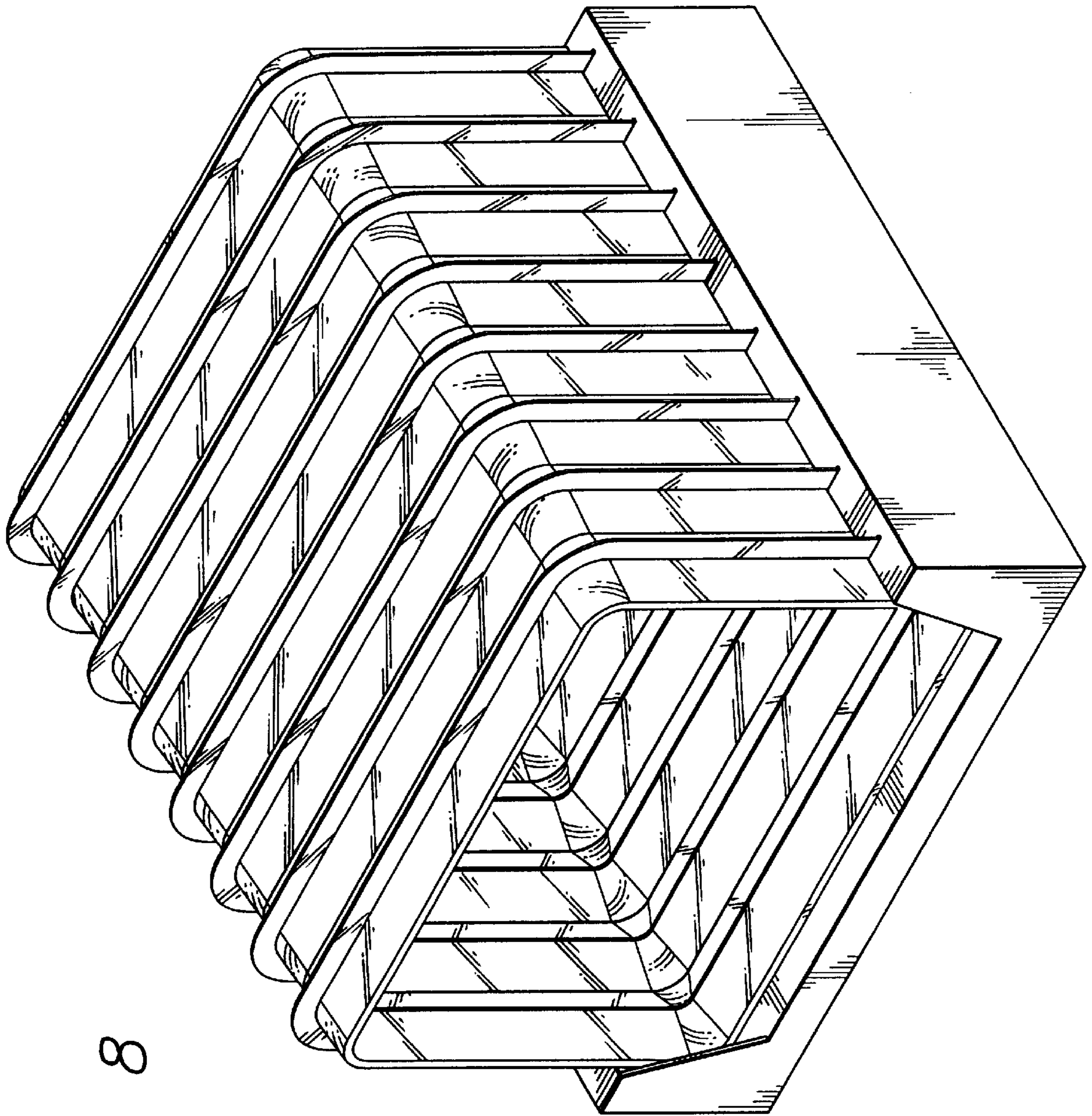


FIG. 8