



US00D412624S

# United States Patent [19] Bergenwall

[11] **Patent Number: Des. 412,624**

[45] **Date of Patent: \*\* Aug. 10, 1999**

[54] **BED FRAME**

D. 296,931 7/1988 Harris et al. .... D24/183  
5,090,071 2/1992 Bathrick et al. .... 5/618

[76] Inventor: **Henning Bergenwall**, Aspvägen 26 D,  
Sollentuna, Sweden, SE-19141

*Primary Examiner*—Janice E. Seeger  
*Attorney, Agent, or Firm*—Pollock, Vande, Sande &  
Amernick

[\*\*] Term: **14 Years**

[21] Appl. No.: **29/078,974**

[57] **CLAIM**

[22] Filed: **Nov. 5, 1997**

The ornamental design for a bed frame, as shown and described.

[30] **Foreign Application Priority Data**

**DESCRIPTION**

May 7, 1997 [SE] Sweden ..... 97-1063

FIG. 1 is a perspective view of a bed frame in a first lower position viewed obliquely from above; FIG. 2 is a perspective view of the bed frame of FIG. 1 in a second position with the foot end thereof raised with respect to the first position; and, FIG. 3 is a perspective view of the bed frame of FIG. 1 in a third position with the foot end in the position of FIG. 1 and the head end raised to an almost upright position viewed obliquely from above, the opposite side being a mirror image thereof.

[51] **LOC (6) Cl.** ..... **06-01**

[52] **U.S. Cl.** ..... **D6/392**

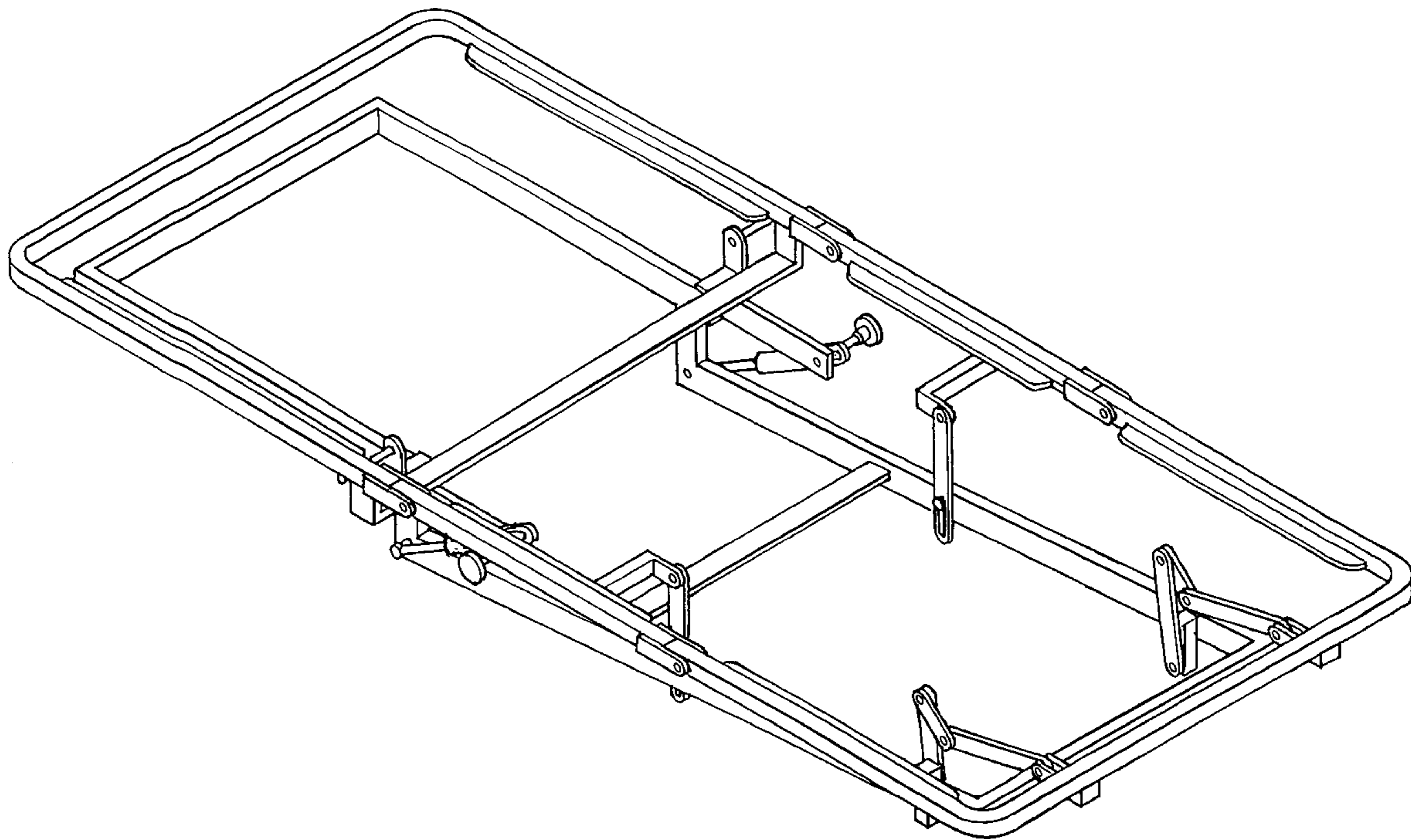
[58] **Field of Search** ..... D6/382, 386, 387,  
D6/392, 361; 5/627, 120-130, 174, 178-180,  
110

[56] **References Cited**

**U.S. PATENT DOCUMENTS**

D. 168,581 1/1953 McInerney et al. .... D6/392

**1 Claim, 3 Drawing Sheets**



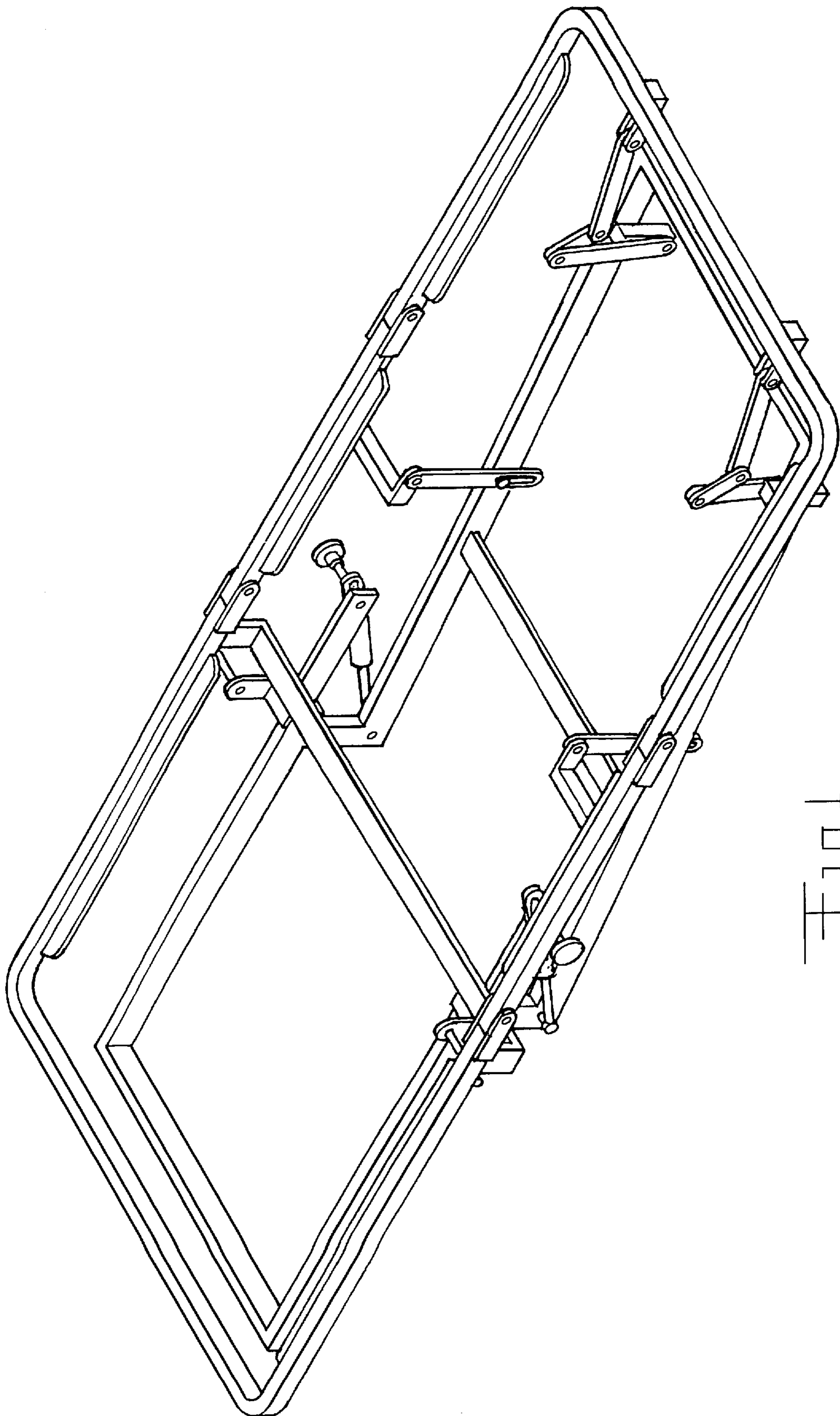


FIG. 1

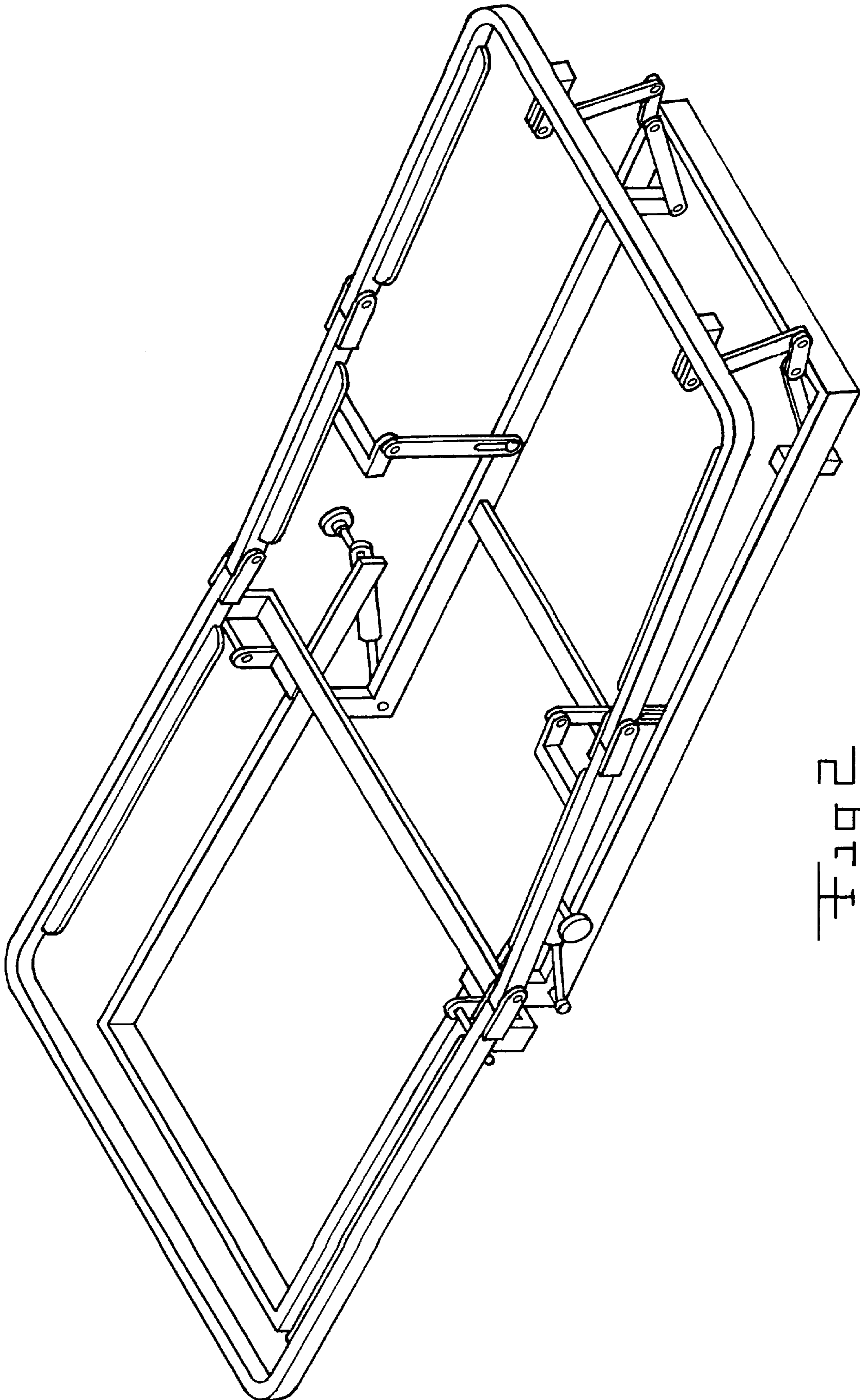


Fig. 2

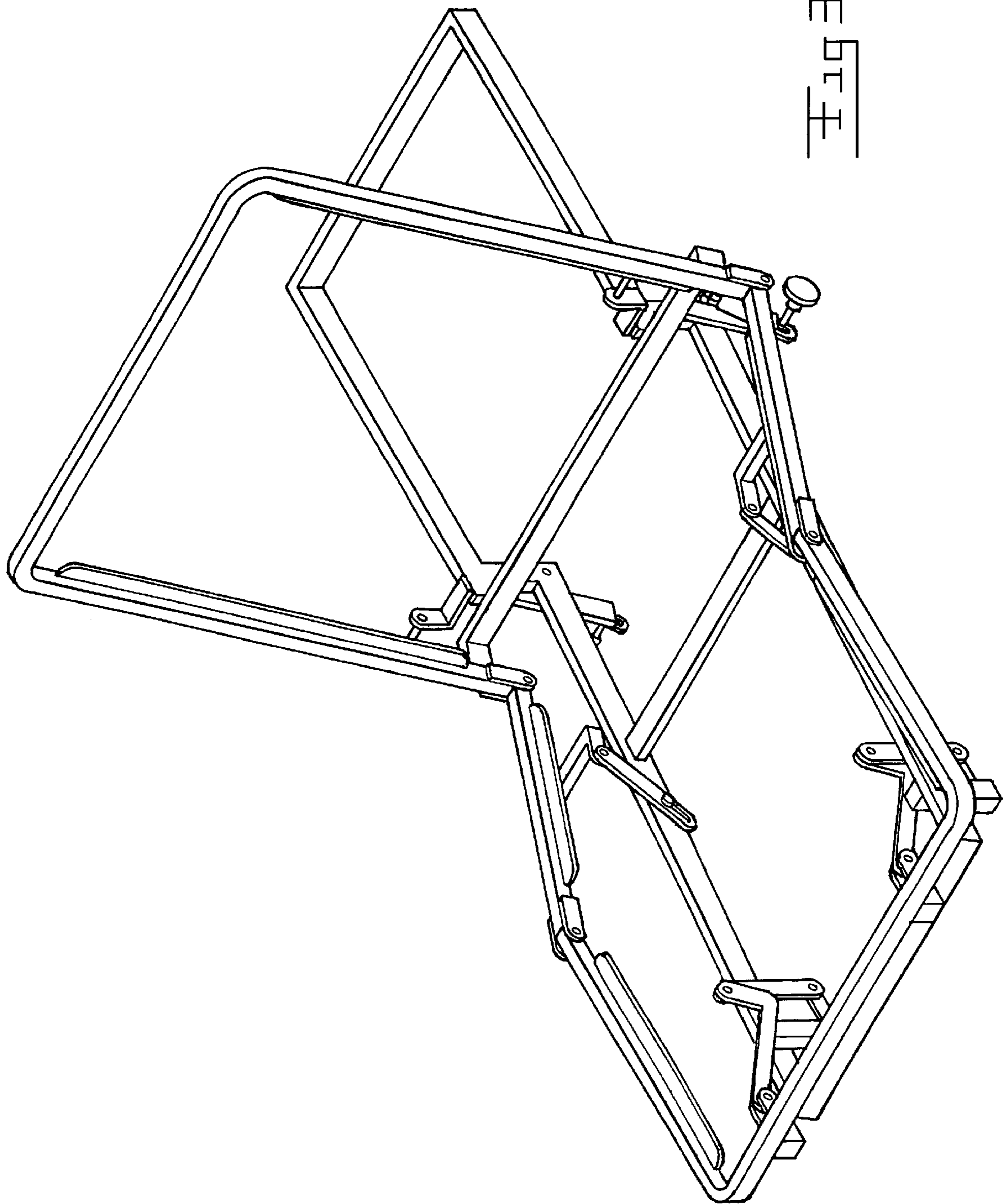


FIG. 1