



US00D412622S

United States Patent [19]
DeJule

[11] **Patent Number: Des. 412,622**

[45] **Date of Patent: ** Aug. 10, 1999**

[54] **SEATING SYSTEM**

D. 347,947 6/1994 Donnelly D6/368
5,292,177 3/1994 Balderi et al. .

[75] Inventor: **Aaron M. DeJule**, DePere, Wis.

[73] Assignee: **Krueger International, Inc.**, Green Bay, Wis.

Primary Examiner—Gary D. Watson
Attorney, Agent, or Firm—Andrus, Scales, Starke & Sawall

[**] Term: **14 Years**

[57] **CLAIM**

[21] Appl. No.: **29/068,221**

The ornamental design for a seating system, as shown and described.

[22] Filed: **Mar. 20, 1997**

DESCRIPTION

[51] **LOC (6) Cl.** **06-01**

[52] **U.S. Cl.** **D6/371; D6/381**

[58] **Field of Search** D6/334, 335, 368,
D6/371, 373, 374, 379, 380, 381, 500,
501, 502; 297/232, 248

FIG. 1 is a perspective view of a seating system incorporating my new design, wherein the seat and back rest members are broken away to indicate indeterminate lengths; FIG. 2 is a front elevation view thereof; FIG. 3 is a rear elevation view thereof; FIG. 4 is a side elevation view thereof, the opposite side being a mirror image; FIG. 5 is a top plan view thereof; and, FIG. 6 is a bottom plan view thereof.

[56] **References Cited**

U.S. PATENT DOCUMENTS

D. 228,104 8/1973 Blodee D6/368
D. 253,859 1/1980 Hosoe D6/381 X
D. 339,940 10/1993 Balderi et al. .
D. 347,330 5/1994 Kinsman D6/334

The inner portions of the arm rest members which are not seen are mirror images of the outer portions.

1 Claim, 3 Drawing Sheets

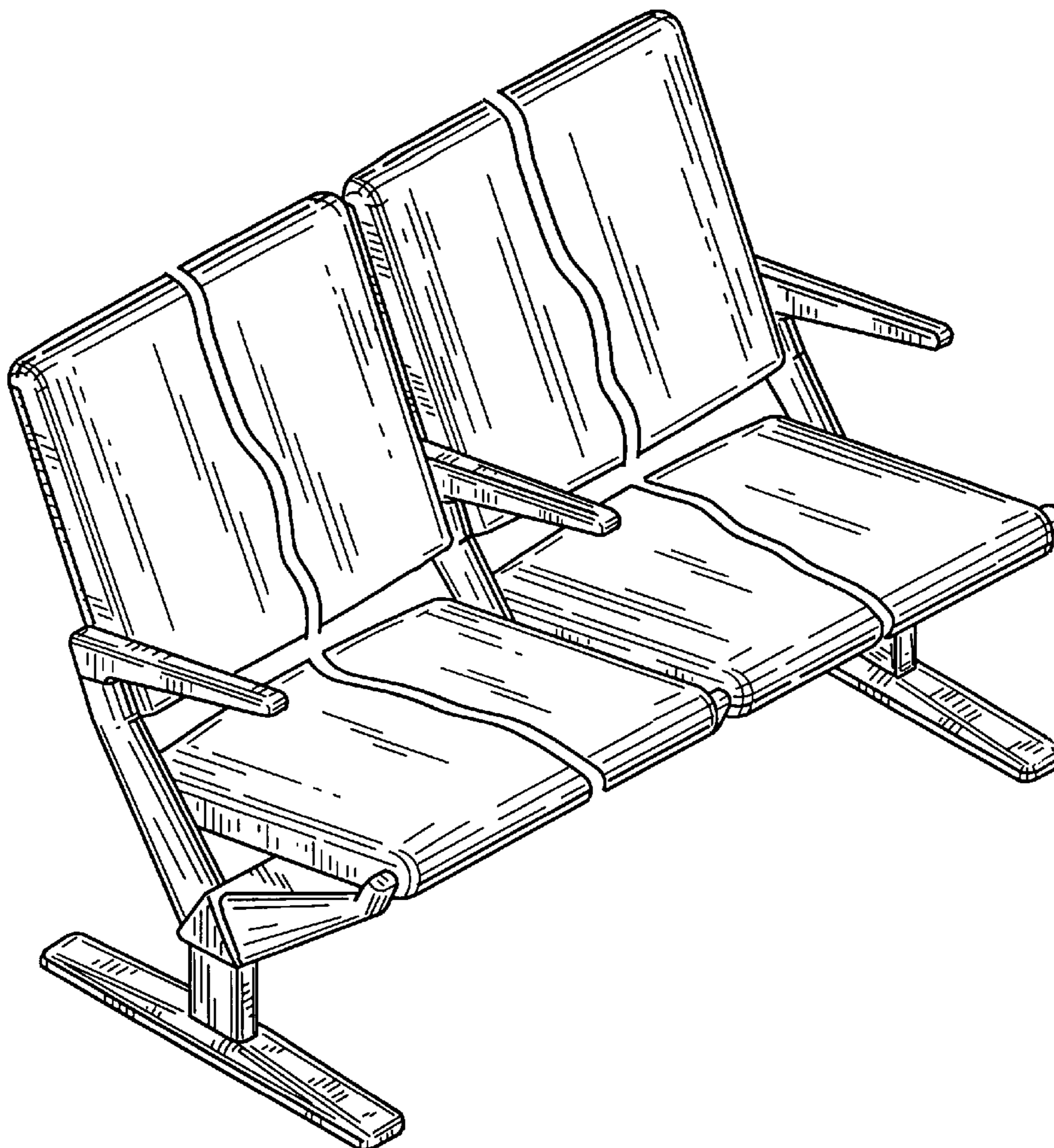


FIG. 1

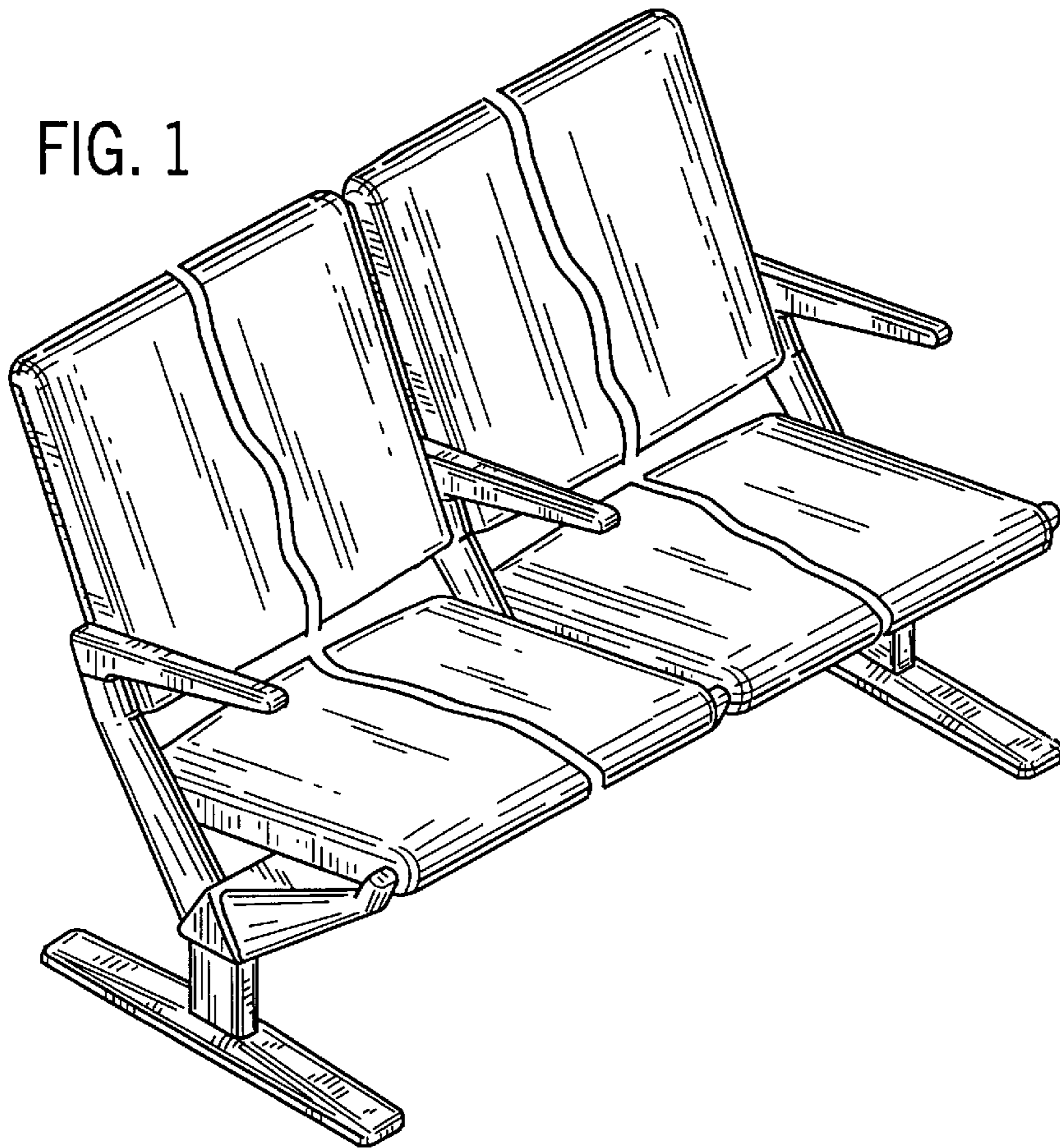


FIG. 4

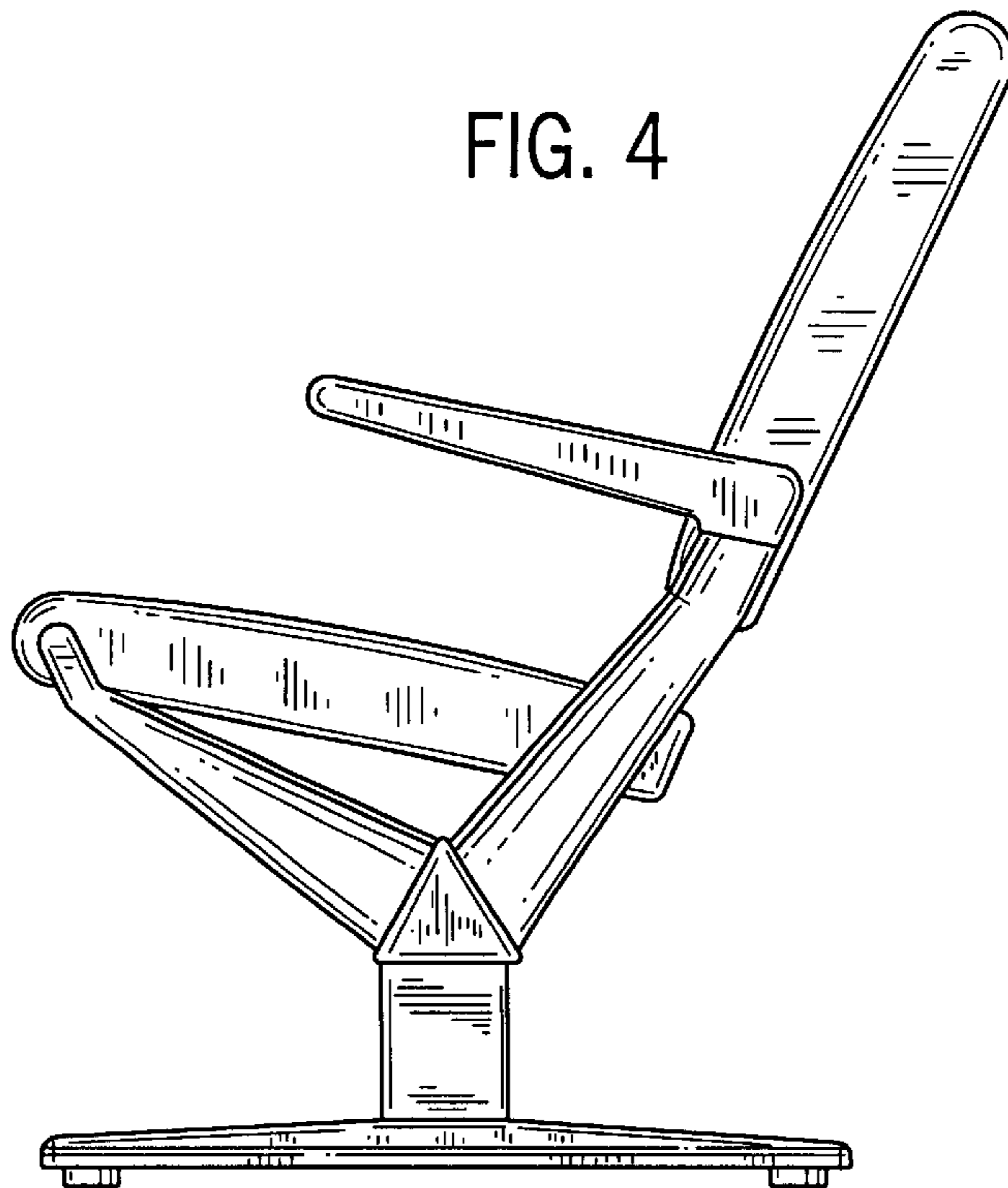


FIG. 2

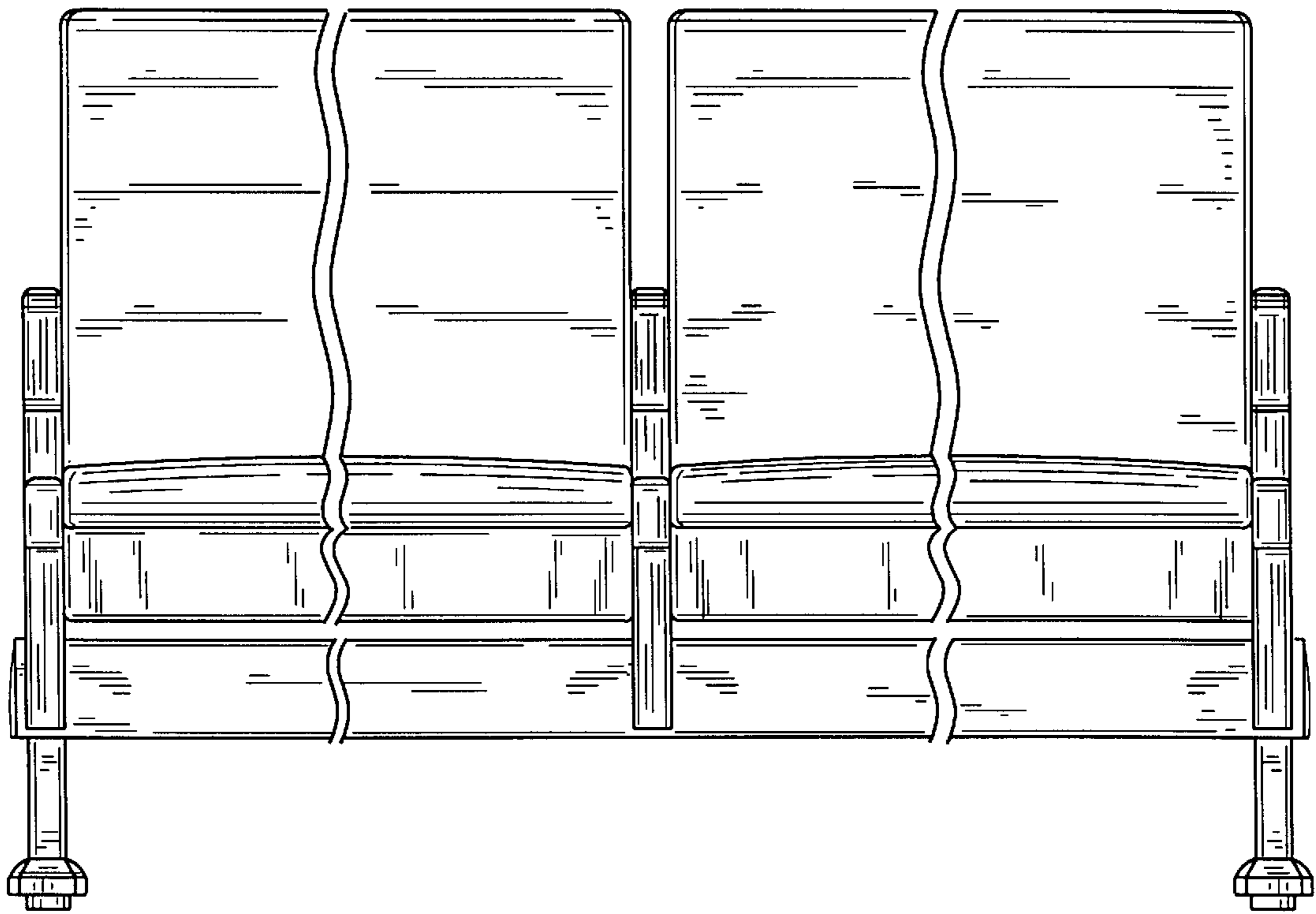


FIG. 3

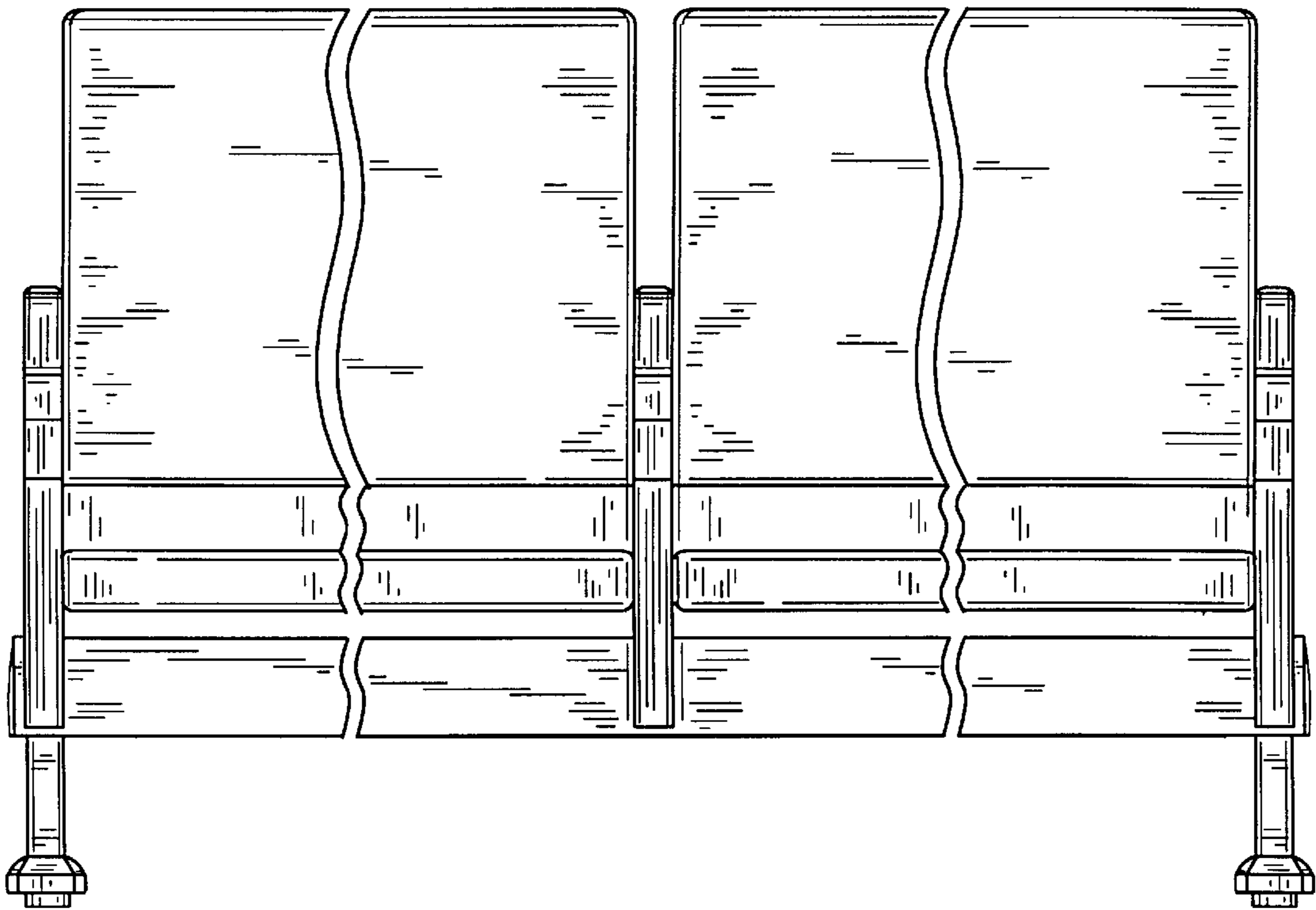


FIG. 5

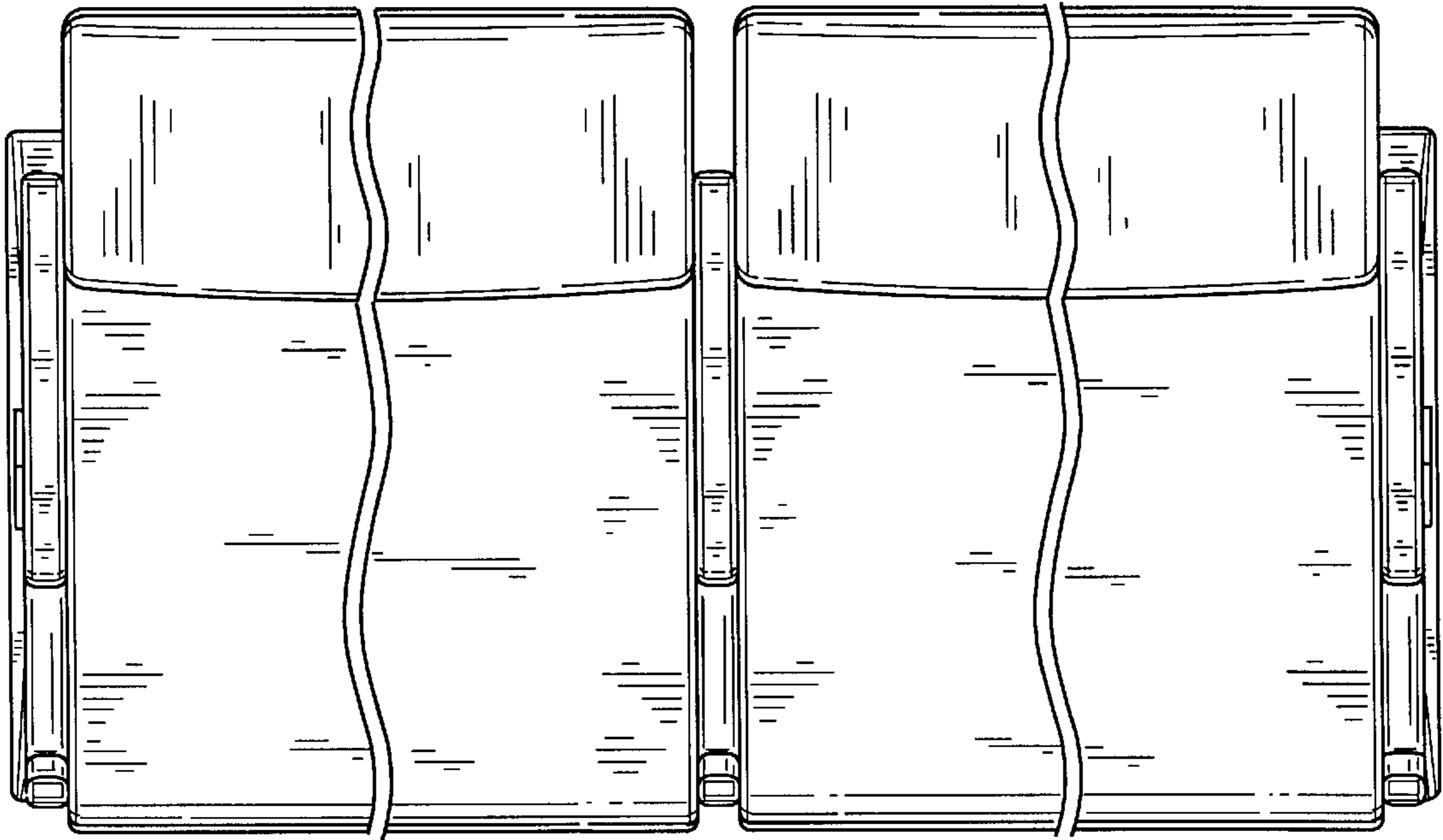


FIG. 6

