



US00D412621S

United States Patent [19]
Smith et al.

[11] **Patent Number: Des. 412,621**
[45] **Date of Patent: ** Aug. 10, 1999**

[54] **EXAMINATION CHAIR**

[75] Inventors: **Neil Smith**, Hanover; **Ron Webb**, Red Lion, both of Pa.

[73] Assignee: **Reliance Medical Products, Inc.**, Mason, Ohio

[**] Term: **14 Years**

[21] Appl. No.: **29/078,440**

[22] Filed: **Oct. 24, 1997**

[51] **LOC (6) Cl.** **06-01**

[52] **U.S. Cl.** **D6/367**

[58] **Field of Search** D6/334, 360, 363, D6/367, 368, 374, 375, 379, 500, 501, 502; 297/182, 188.01, 217.1, 391

[56] **References Cited**

U.S. PATENT DOCUMENTS

D. 300,657	4/1989	Simpkins et al.	D6/360
D. 333,736	3/1993	Nordstrom	D6/360
D. 354,176	1/1995	Schwaegerle et al. .	
D. 354,177	1/1995	Schwaegerle et al. .	
D. 379,409	5/1997	Schwaegerle et al. .	
2,874,689	2/1959	Gavelek .	
3,198,574	8/1965	Sadayasu Ota et al.	297/391
3,299,886	1/1967	Mika .	
3,578,379	5/1971	Taylor et al. .	
3,999,799	12/1976	Daswick .	
4,415,203	11/1983	Cawley	297/391
4,505,514	3/1985	Stöckl et al. .	
4,852,941	8/1989	Jones	297/188.01
4,941,709	7/1990	Möller .	
4,957,302	9/1990	Maxwell .	
5,348,375	9/1994	Steininger .	
5,461,965	10/1995	Schwaegerle .	
5,467,002	11/1995	Brooks .	
5,624,159	4/1997	Celoni et al. .	
5,628,544	5/1997	Boetzkes .	

FOREIGN PATENT DOCUMENTS

3110111 3/1981 Germany .

OTHER PUBLICATIONS

Reliance Medical Products, Inc., *Introducing the premier package for RK surgery*, Brochure.
Reliance Medical Products, Inc., *Surgical Package*, Brochure, 1993.

Reliance Medical Products, Inc., *800 Fully powered hydraulic examination chair/procedures table*, Brochure, 1995.

Reliance Medical Products, Inc., *7100, Fully powered, minor procedures table*, Brochure, 1994.

Reliance Medical Products, Inc., *7000, Fully powered hydraulic examination chair/minor procedures table*, Brochure, 1993.

Primary Examiner—Doris V. Coles

Assistant Examiner—Mimosa De

Attorney, Agent, or Firm—Wood, Herron & Evans, L.L.P.

[57] **CLAIM**

The ornamental design for an examination chair, as shown and described.

DESCRIPTION

FIG. 1 is a front perspective view of the examination chair shown in an upright position with portions thereof in phantom representing environmental matter which is not part of the claimed invention;

FIG. 2 is a top view thereof;

FIG. 3 is a left side view thereof with the right side being a mirror image of the left side;

FIG. 4 is a front view thereof;

FIG. 5 is a rear view thereof;

FIG. 6 is a bottom view thereof;

FIG. 7 illustrates a front perspective view of an alternative tilted position of the examination chair shown in FIG. 1 with portions thereof in phantom representing environmental matter which is not part of the claimed invention;

FIG. 8 is a top view of the examination chair as shown in FIG. 7;

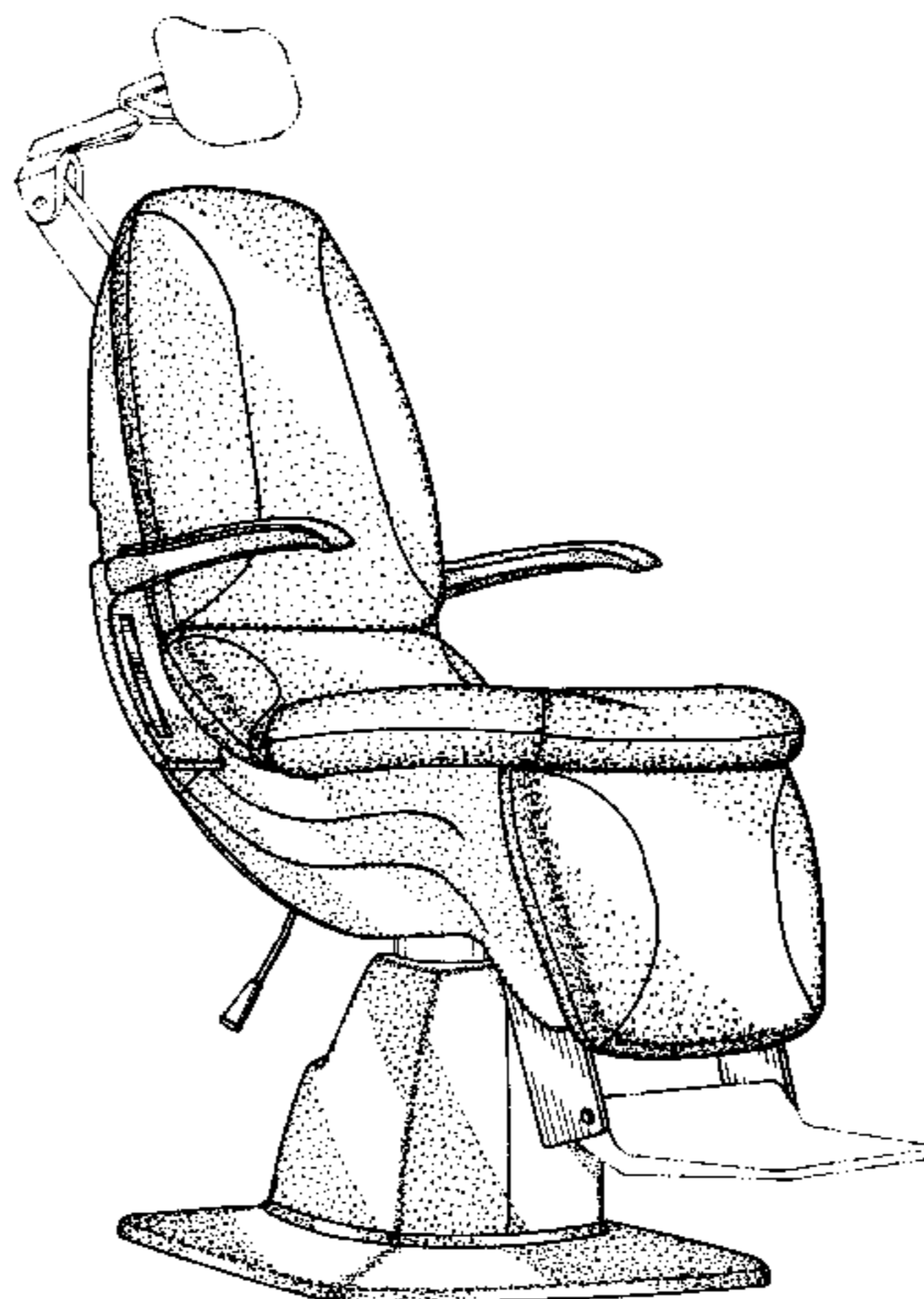
FIG. 9 is a left side view of the examination chair as shown in FIG. 7 with the right side being a mirror image of the left side;

FIG. 10 is a front view of the examination chair as shown in FIG. 7;

FIG. 11 is a rear view of the examination chair as shown in FIG. 7; and,

FIG. 12 is a bottom view of the examination chair as shown in FIG. 7.

1 Claim, 6 Drawing Sheets



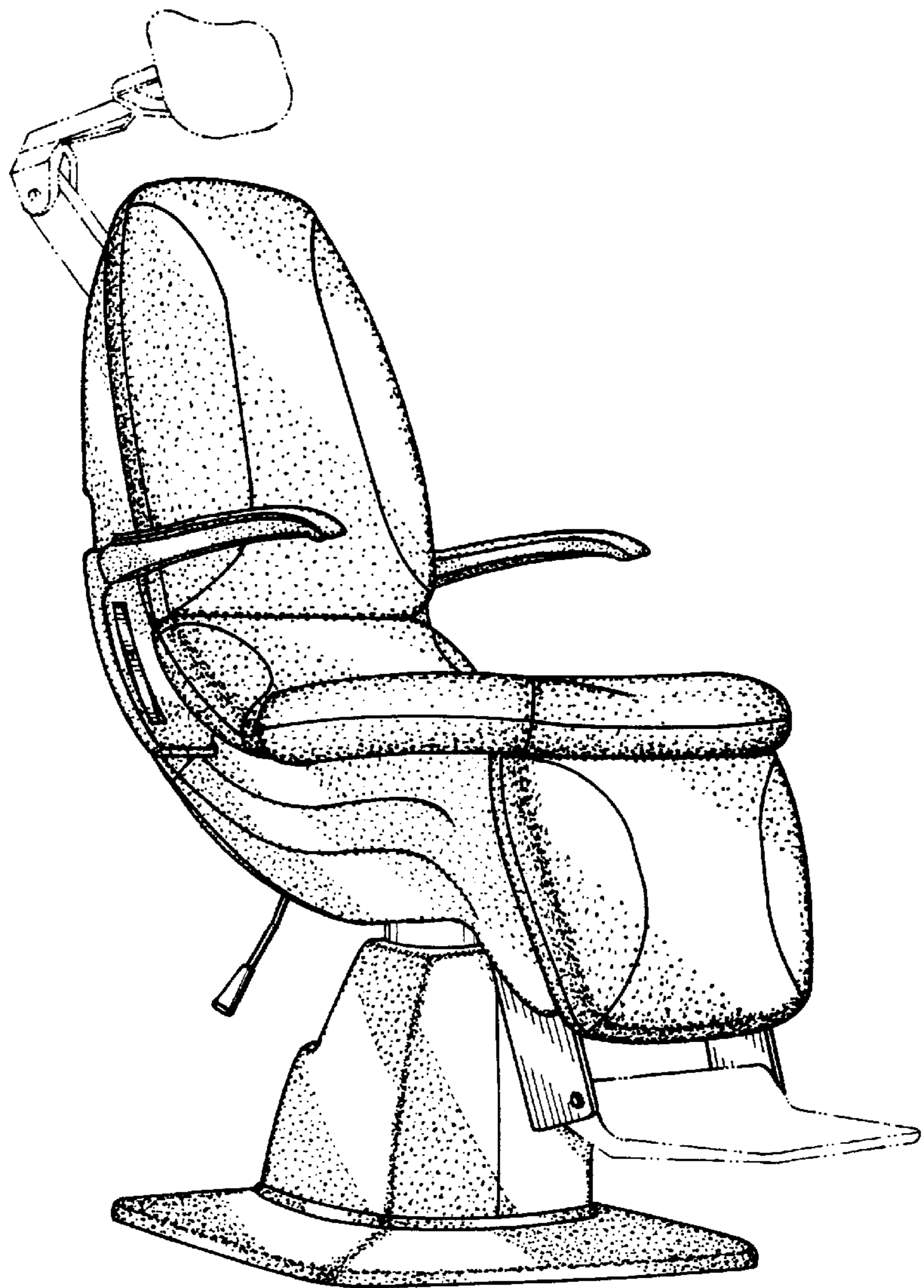


FIG. 1

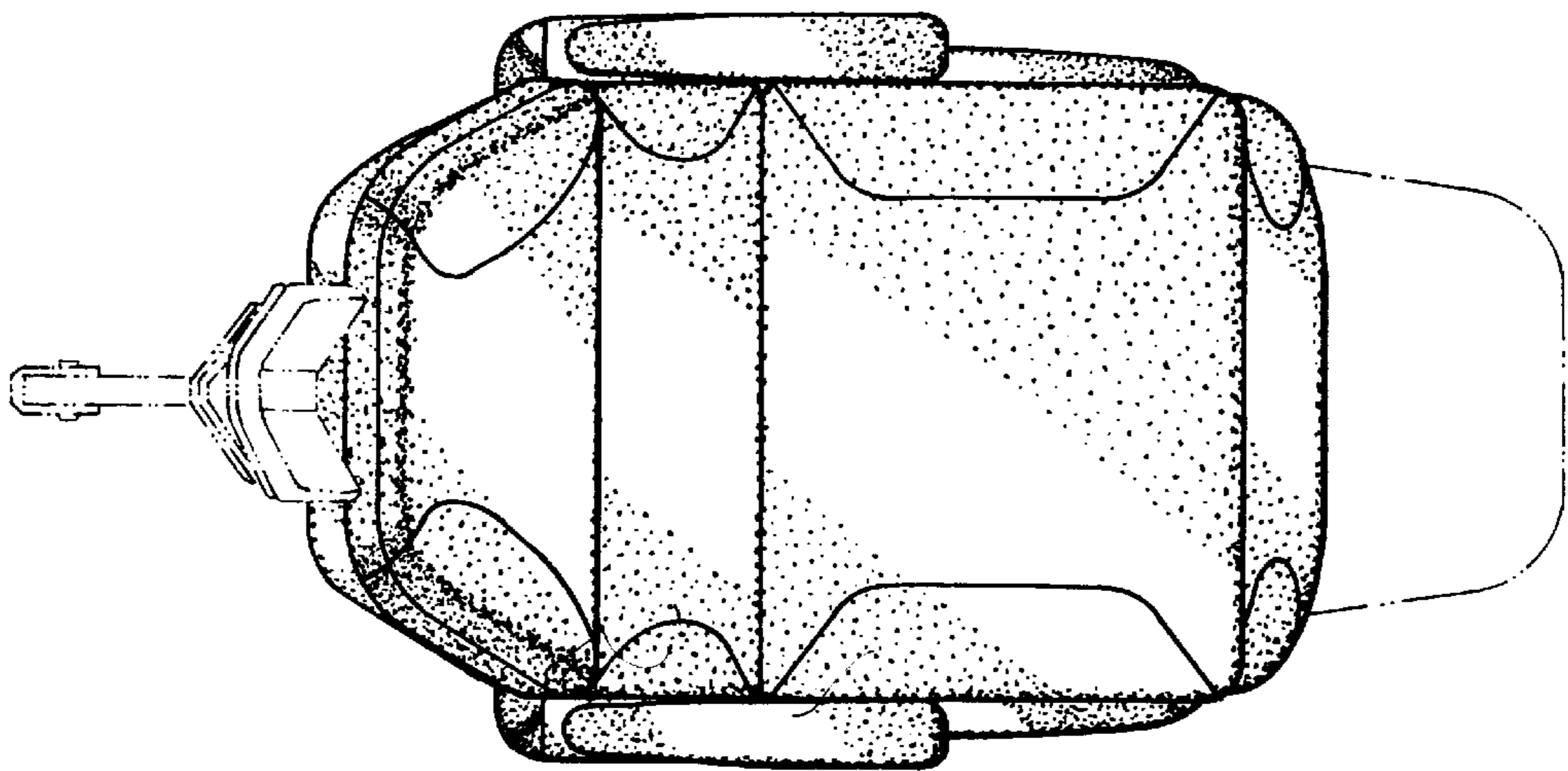


FIG. 2

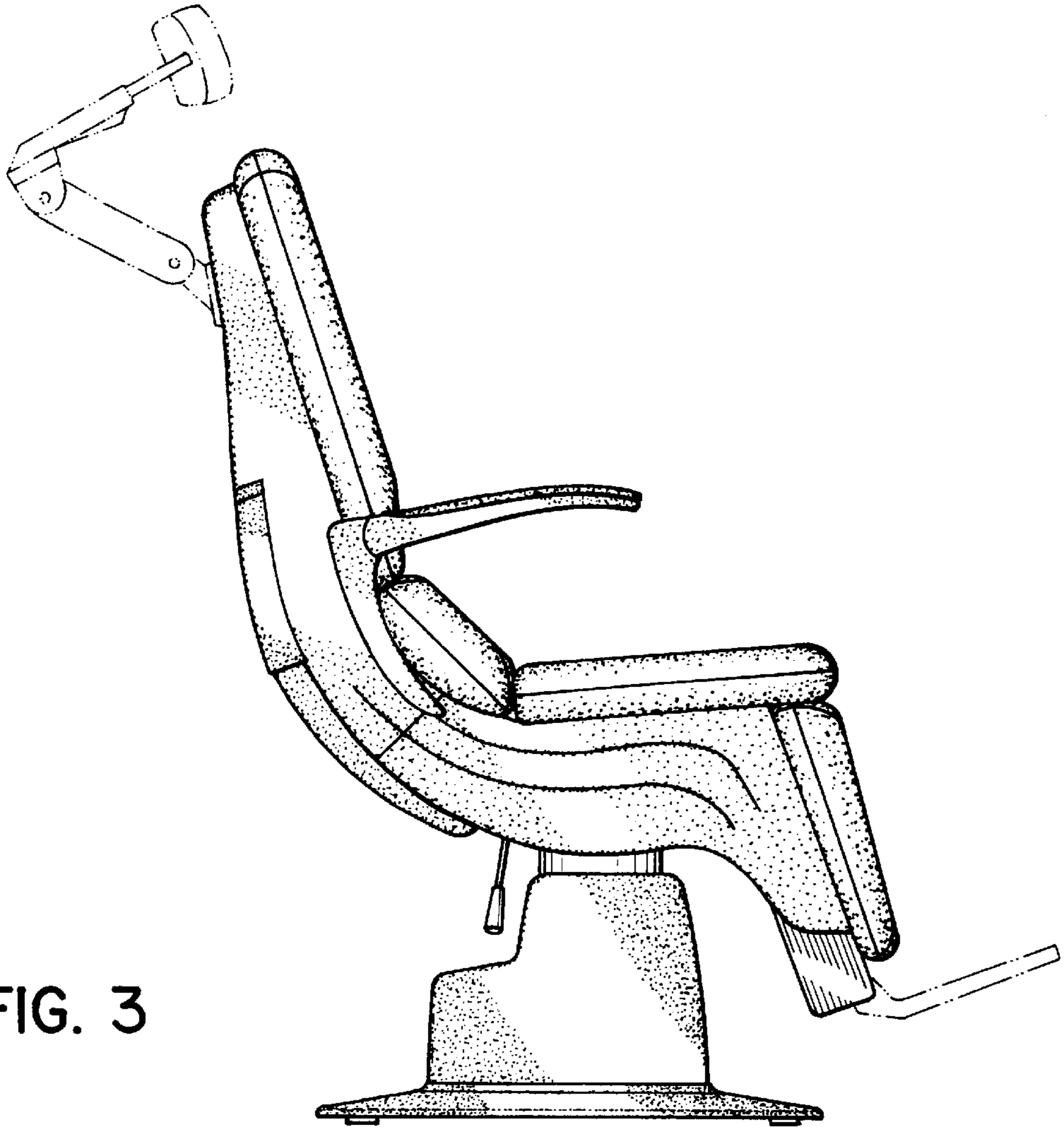


FIG. 3

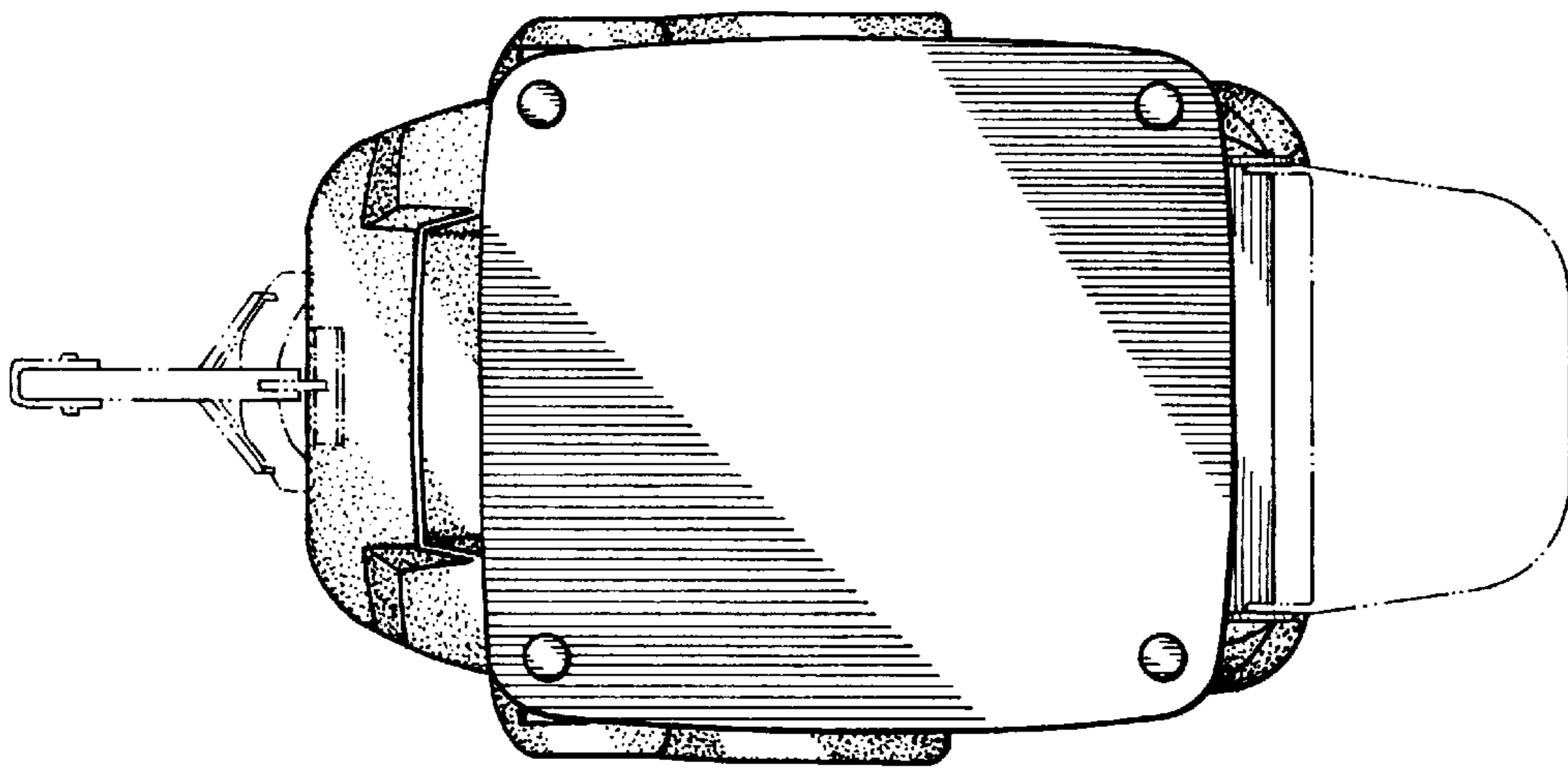


FIG. 6

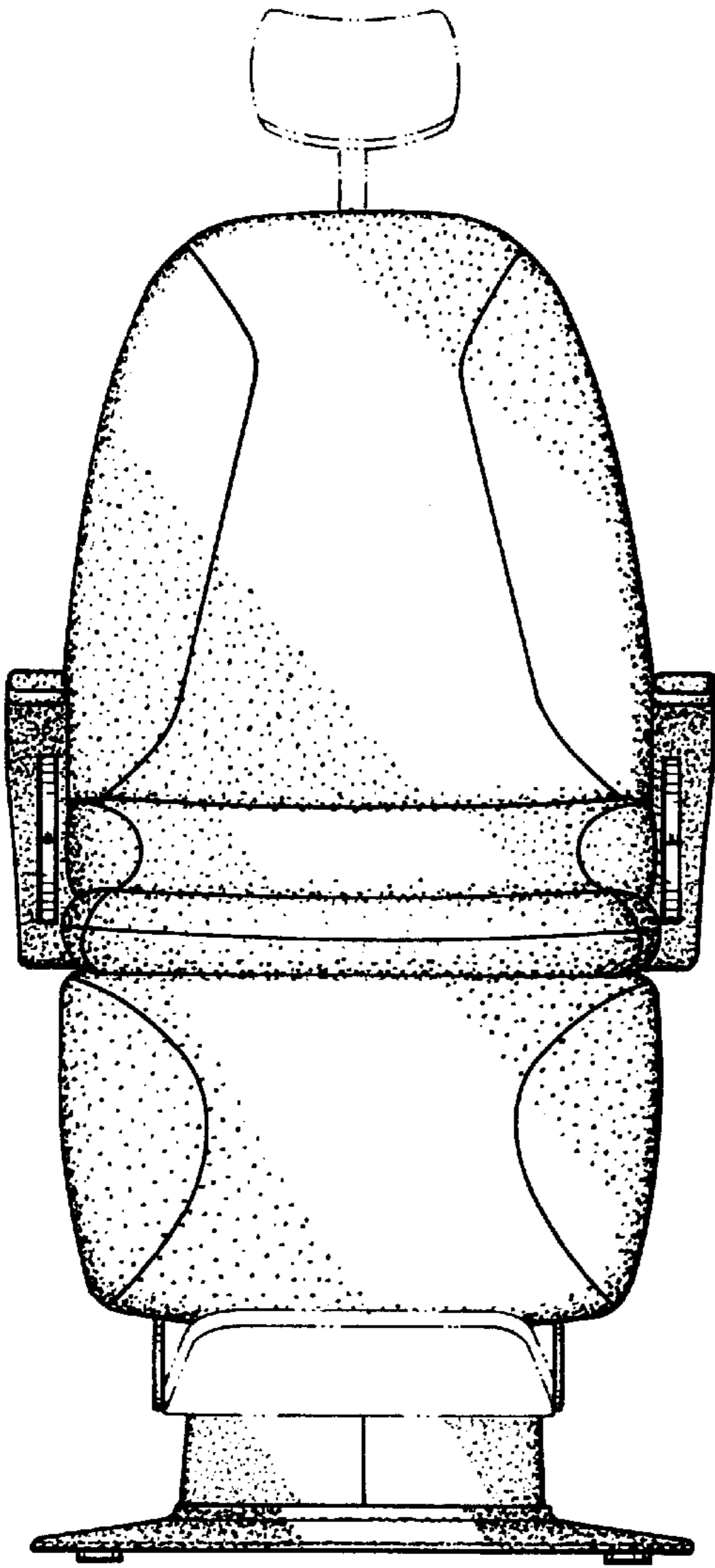


FIG. 4

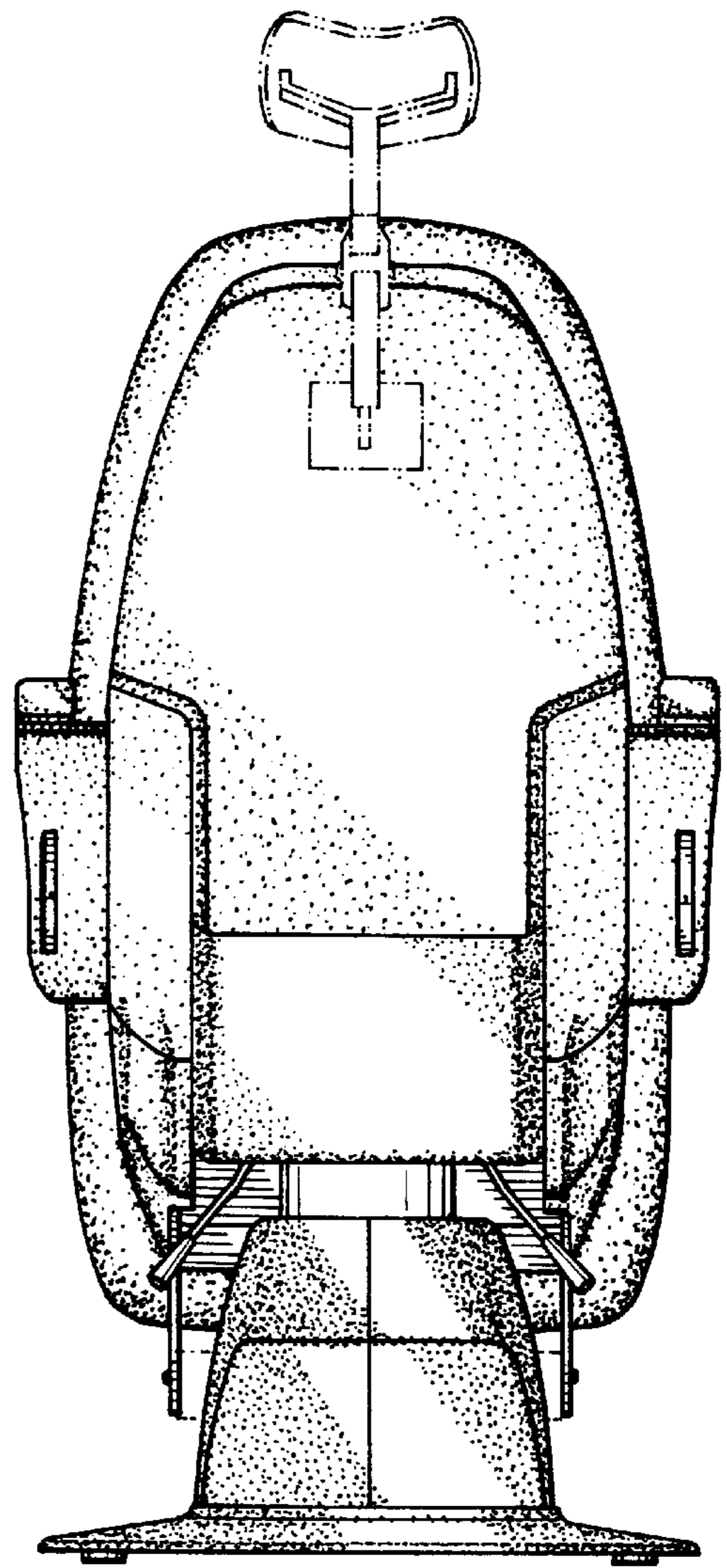


FIG. 5

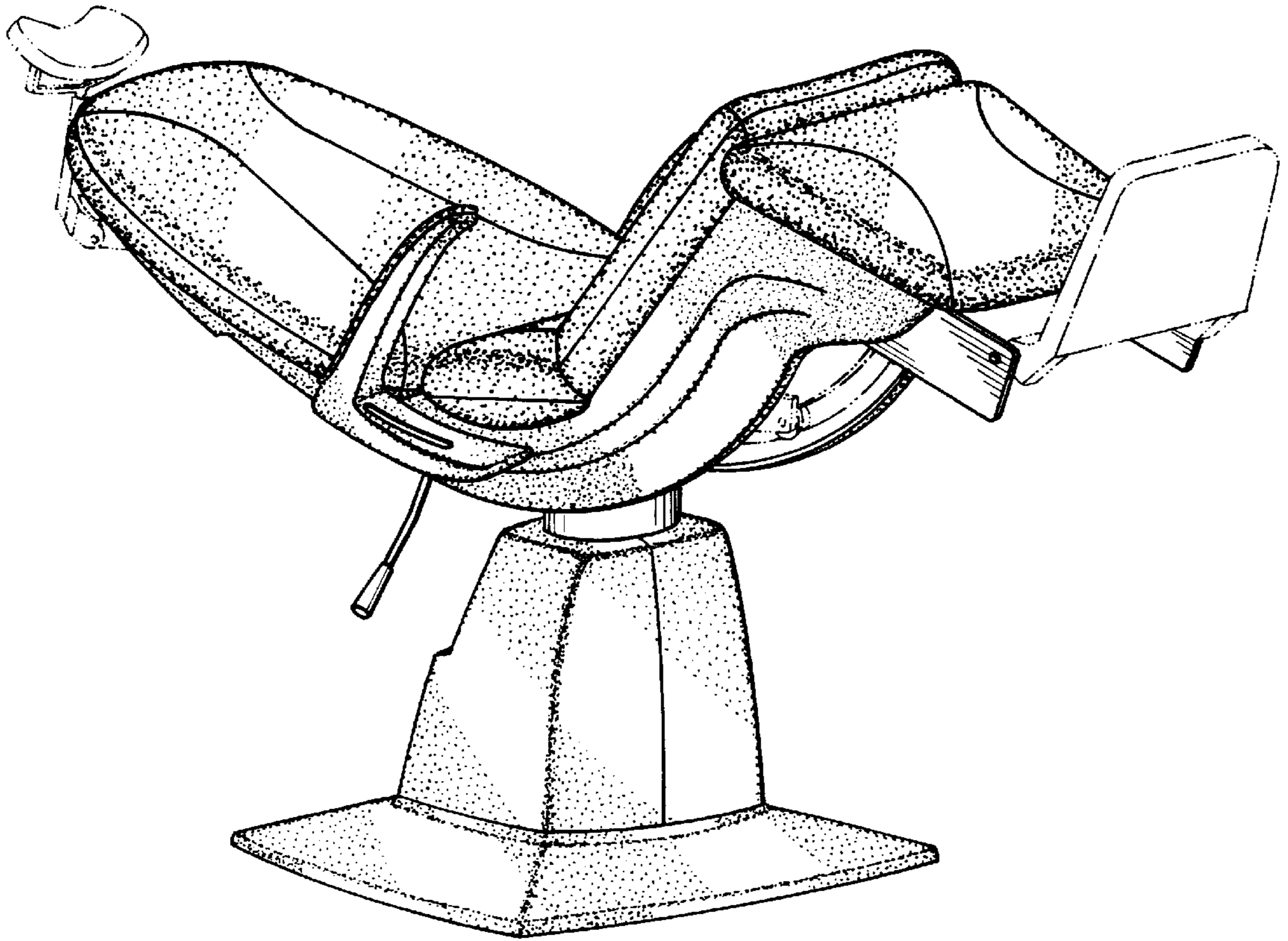


FIG. 7

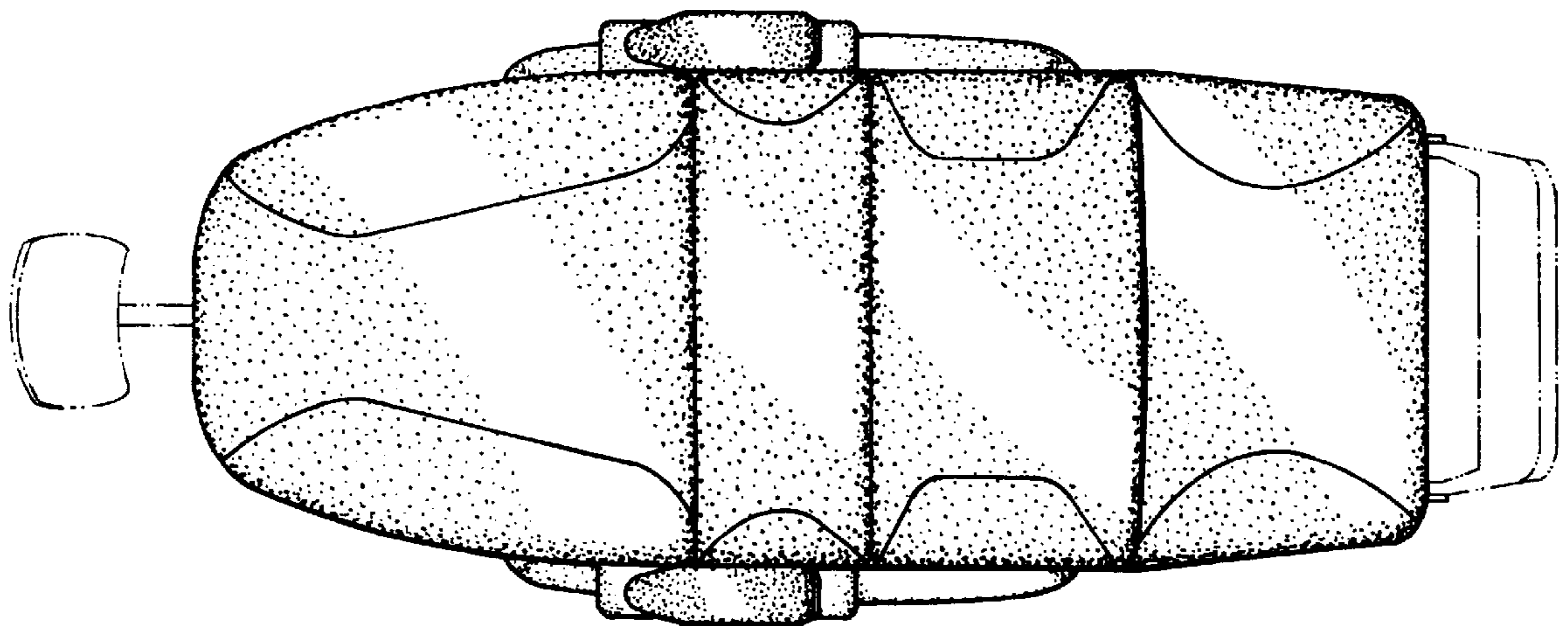


FIG. 8

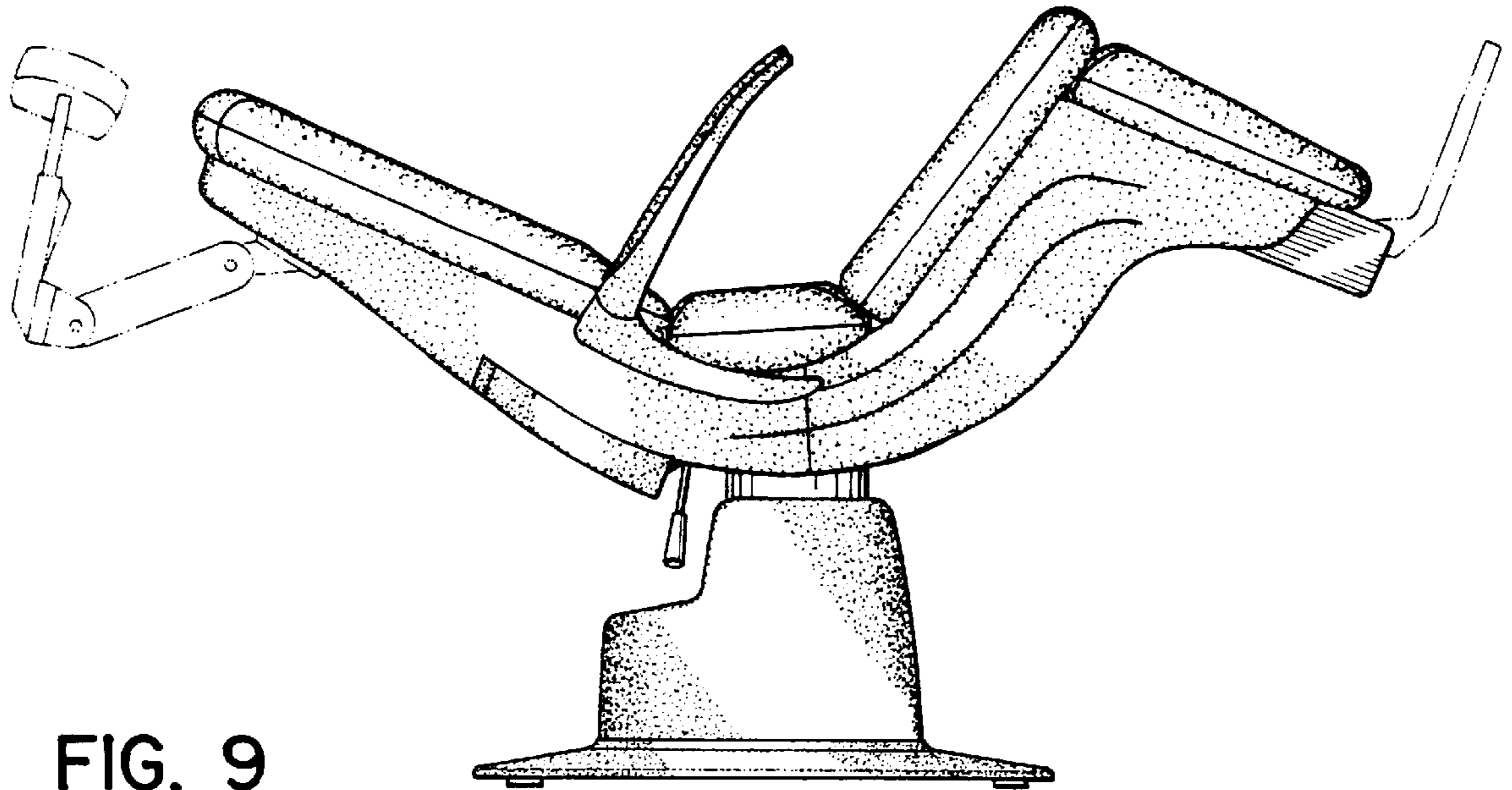


FIG. 9

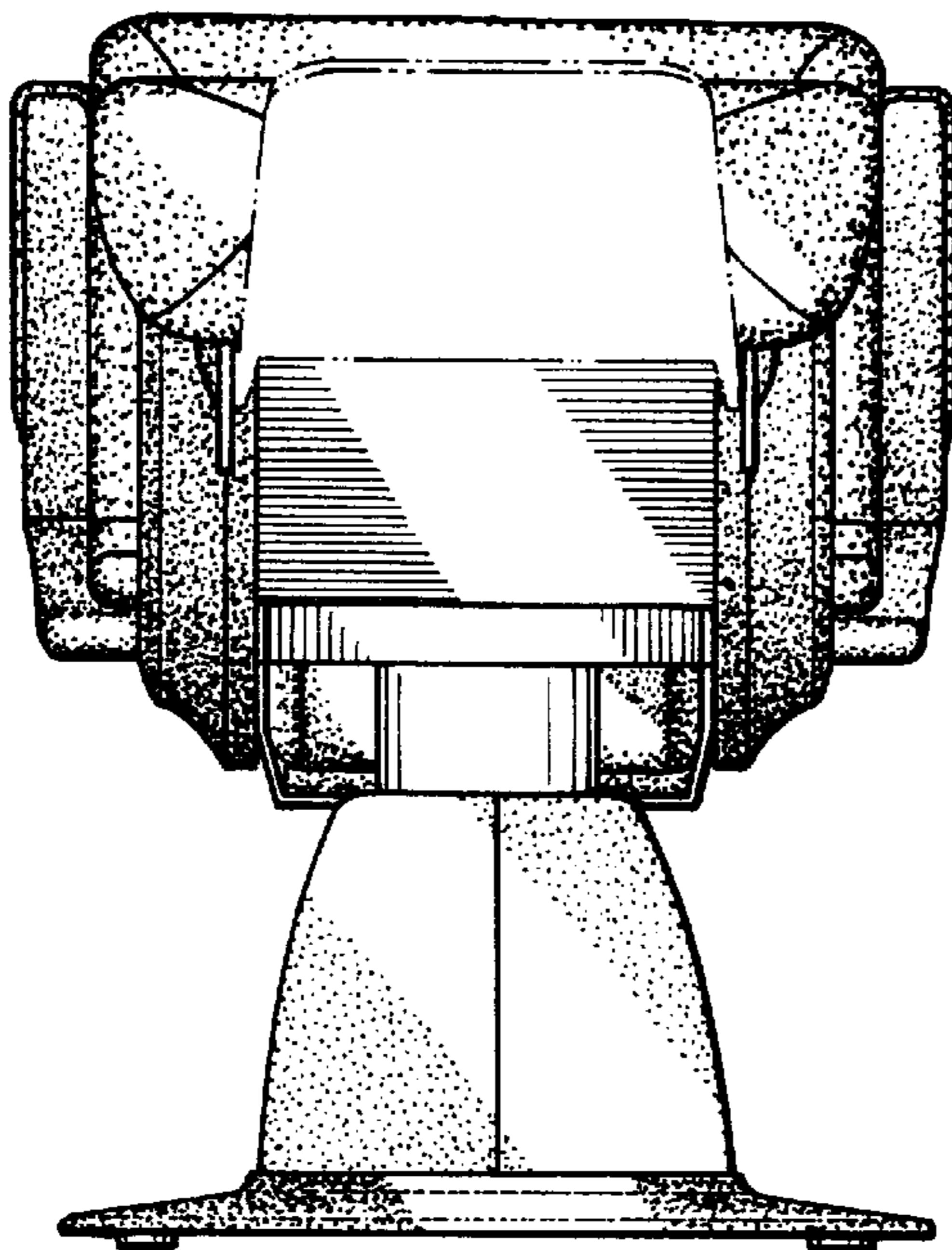


FIG. 10

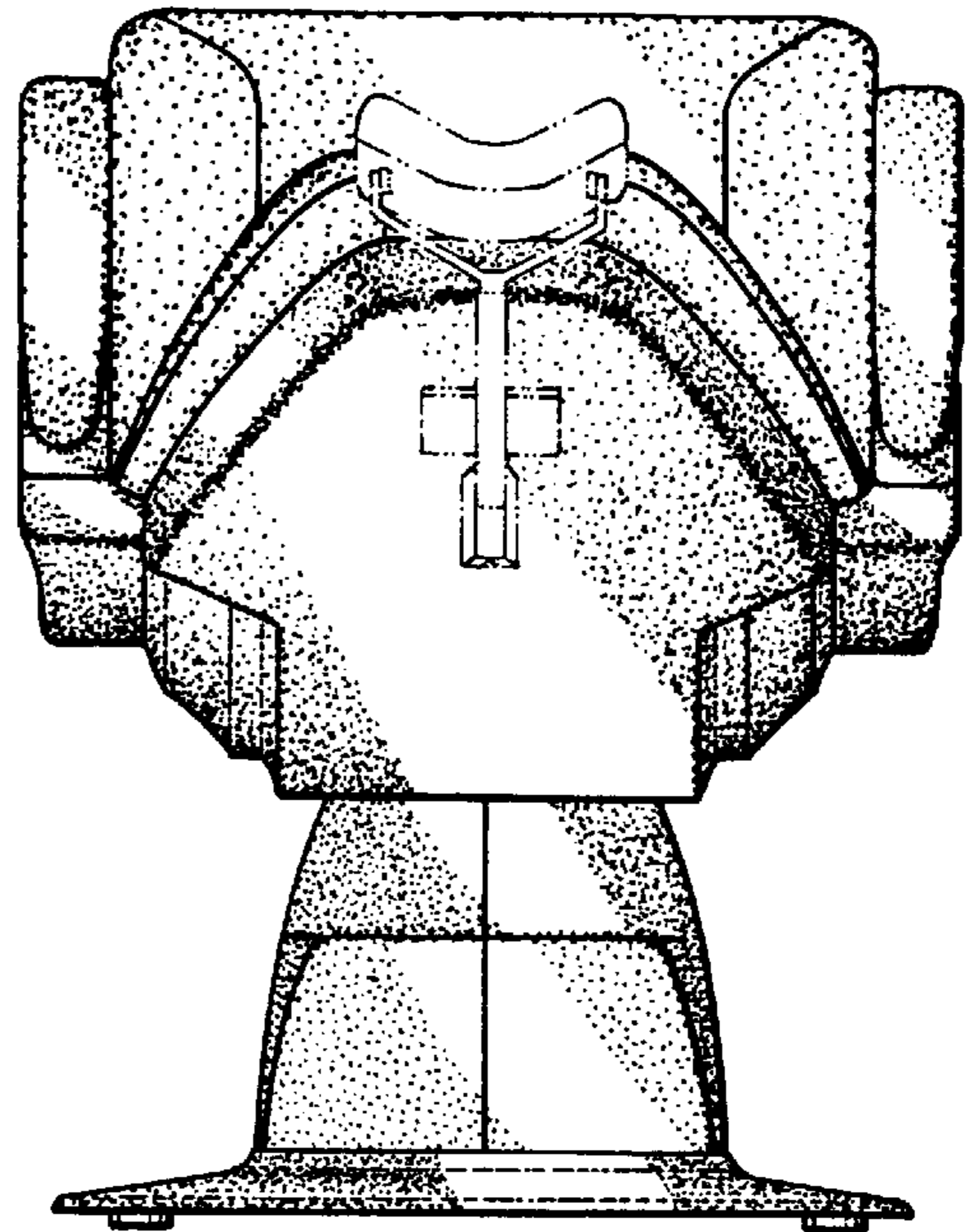


FIG. 11

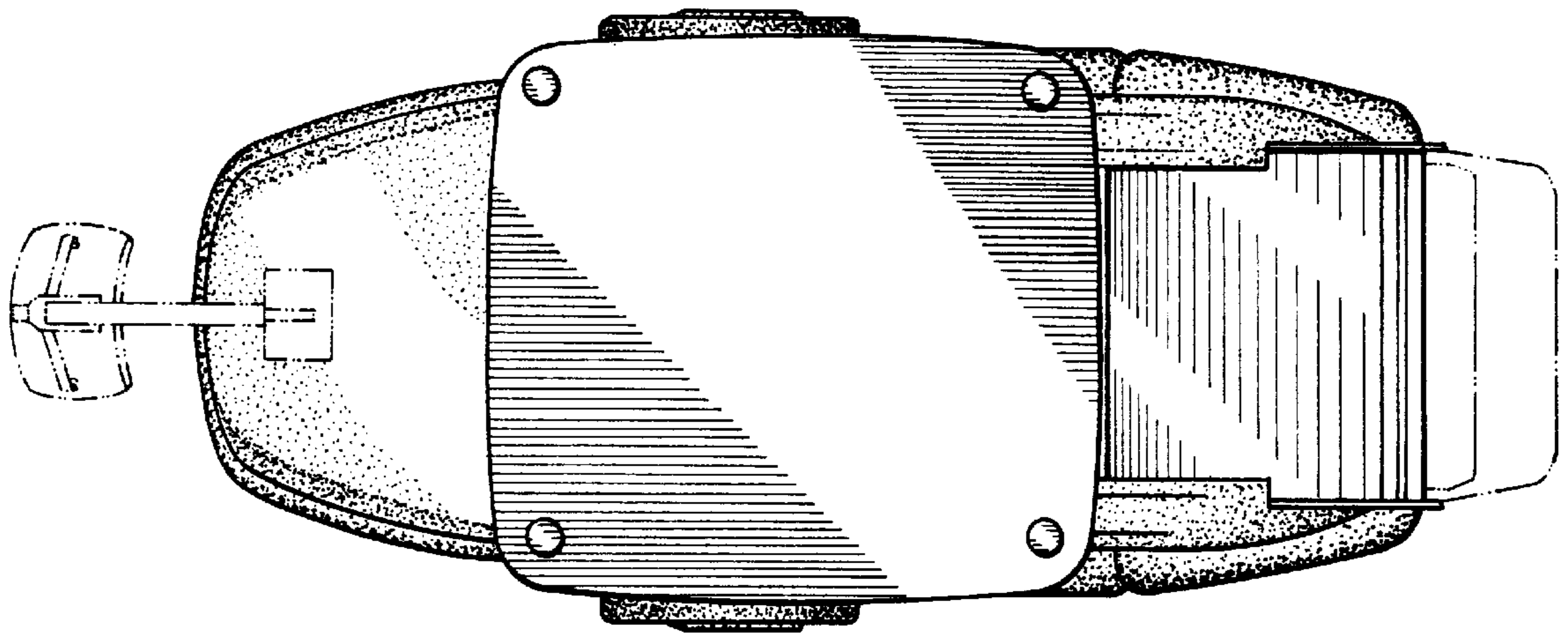


FIG. 12