



US00D412617S

**United States Patent** [19]  
**Kopala, Jr.**

[11] **Patent Number: Des. 412,617**

[45] **Date of Patent: \*\* Aug. 10, 1999**

[54] **WRENCH HOLDER**

5,788,303 8/1998 Chia-Hsiang ..... 294/143

[75] Inventor: **Walter W. Kopala, Jr.**, Coto de Caza, Calif.

*Primary Examiner*—Louis S. Zarfes  
*Assistant Examiner*—Catherine R. Oliver  
*Attorney, Agent, or Firm*—Robert R. Thornton

[73] Assignee: **Alltrade Inc.**, Long Beach, Calif.

[57] **CLAIM**

[\*\*] Term: **14 Years**

The ornamental design for a wrench holder, as shown and described.

[21] Appl. No.: **29/098,123**

**DESCRIPTION**

[22] Filed: **Dec. 22, 1998**

[51] **LOC (6) Cl.** ..... **03-01**

FIG. 1 is a perspective view of a wrench holder showing my new design, with its wrench retaining bar in its closed position;

[52] **U.S. Cl.** ..... **D3/315; D3/905**

FIG. 2 is a front elevaitonal view thereof;

[58] **Field of Search** ..... D3/315, 905, 276,

FIG. 3 is a top plan view thereof;

D3/228; D8/71; 206/372, 373, 376, 377,

FIG. 4 is a rear elevational view thereof;

504; 294/143; 211/70.6, 60.1

FIG. 5 is a bottom plan view thereof;

[56] **References Cited**

FIG. 6 is a left side elevational view thereof;

**U.S. PATENT DOCUMENTS**

FIG. 7 is a right side elevational view thereof; and,

D. 355,826 2/1995 Chow ..... D8/71

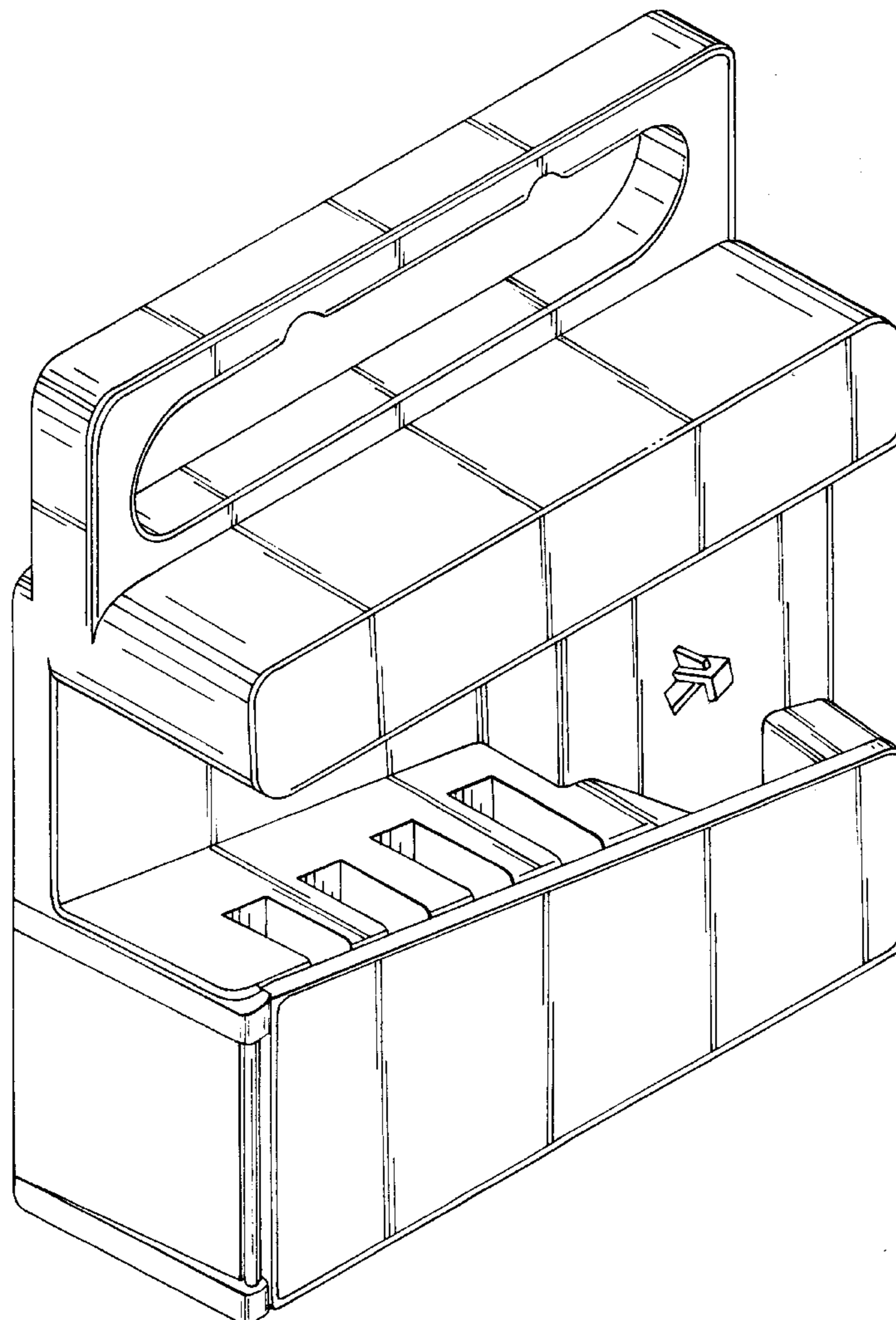
FIG. 8 is a front elevational view thereof with its wrench retaining bar removed for purposes of clarity.

D. 365,681 1/1996 Chow ..... D3/315

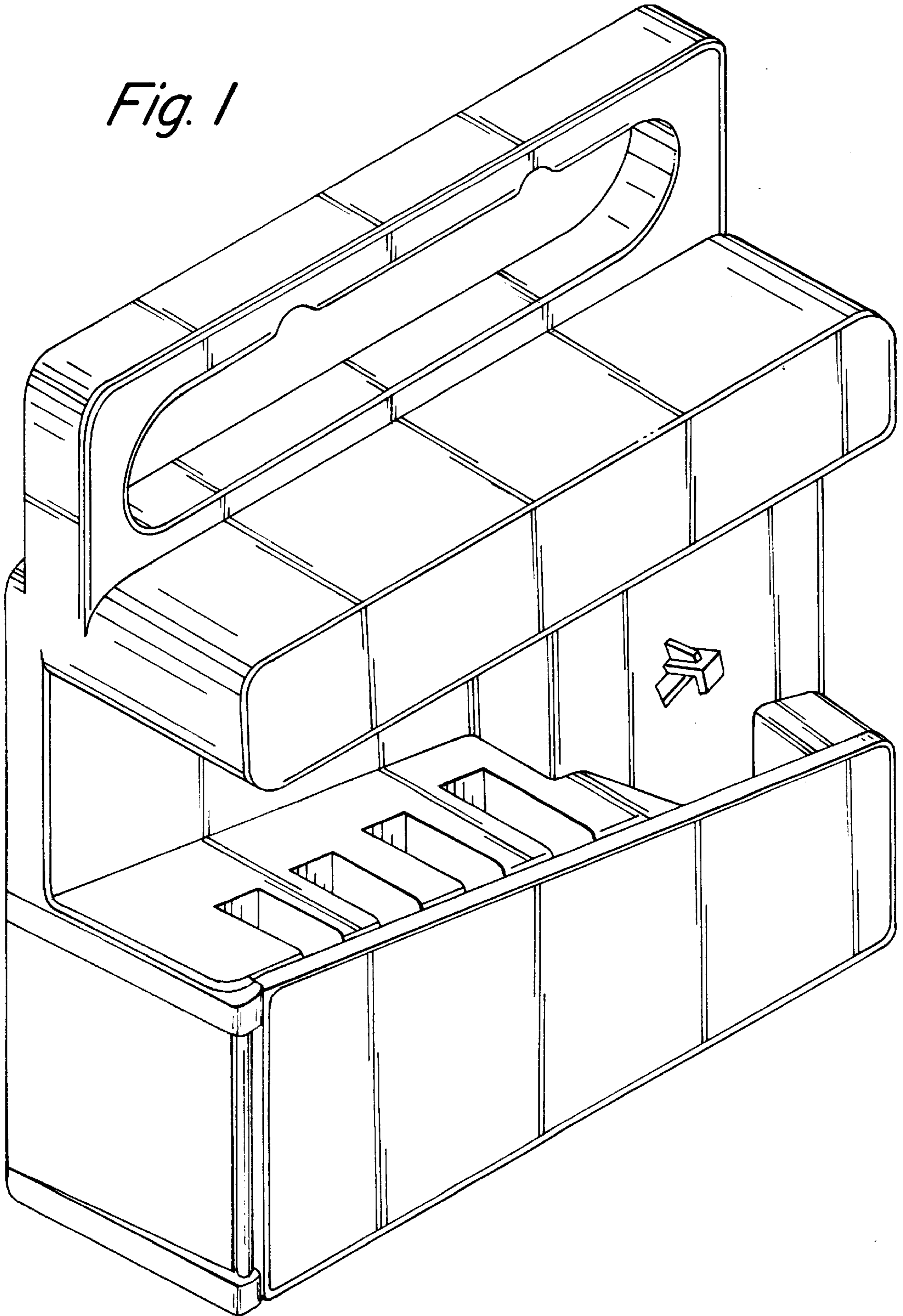
D. 373,943 9/1996 Fuhrmann ..... D8/71

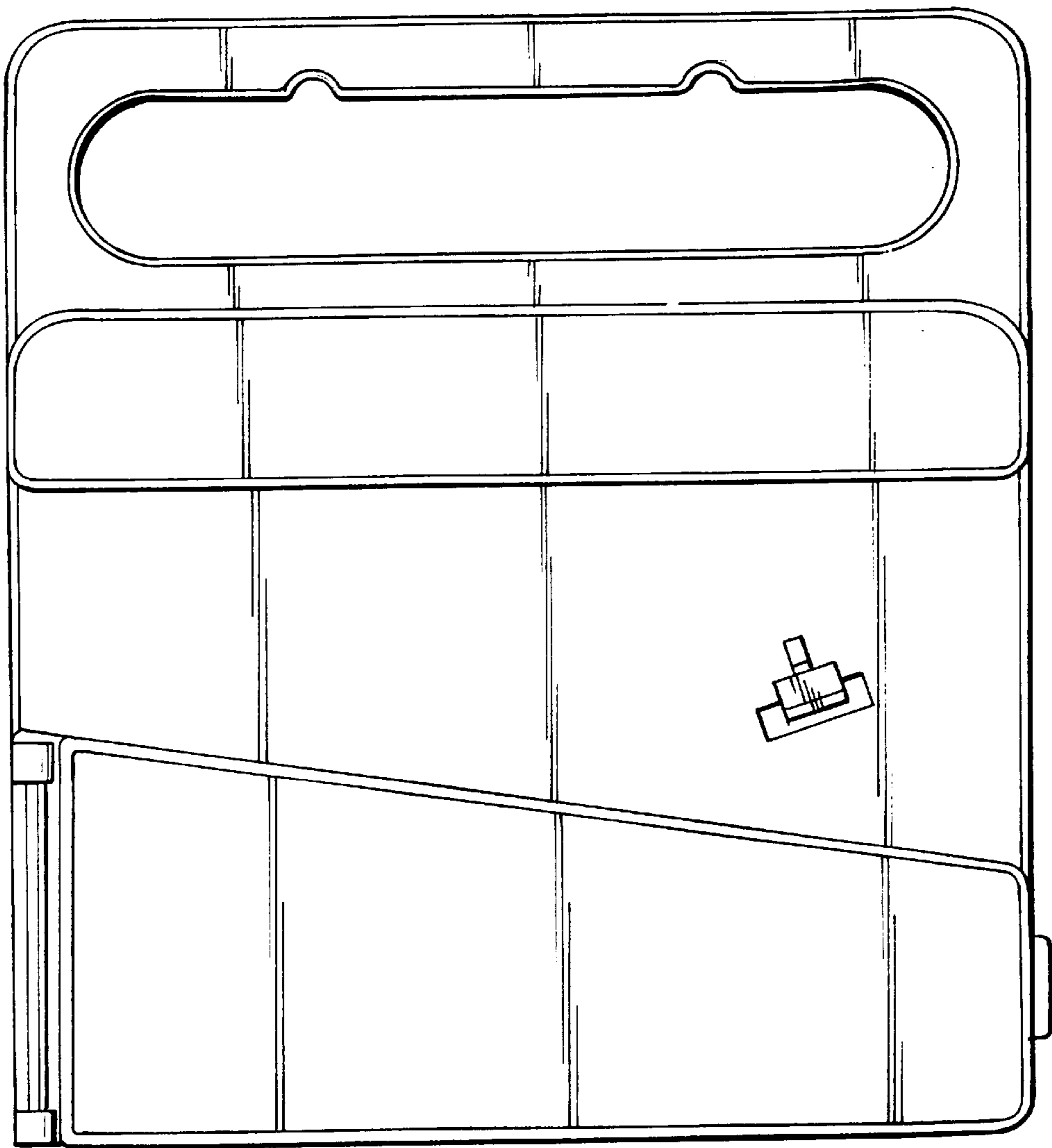
5,730,303 3/1998 Chow ..... 211/70.6

**1 Claim, 5 Drawing Sheets**

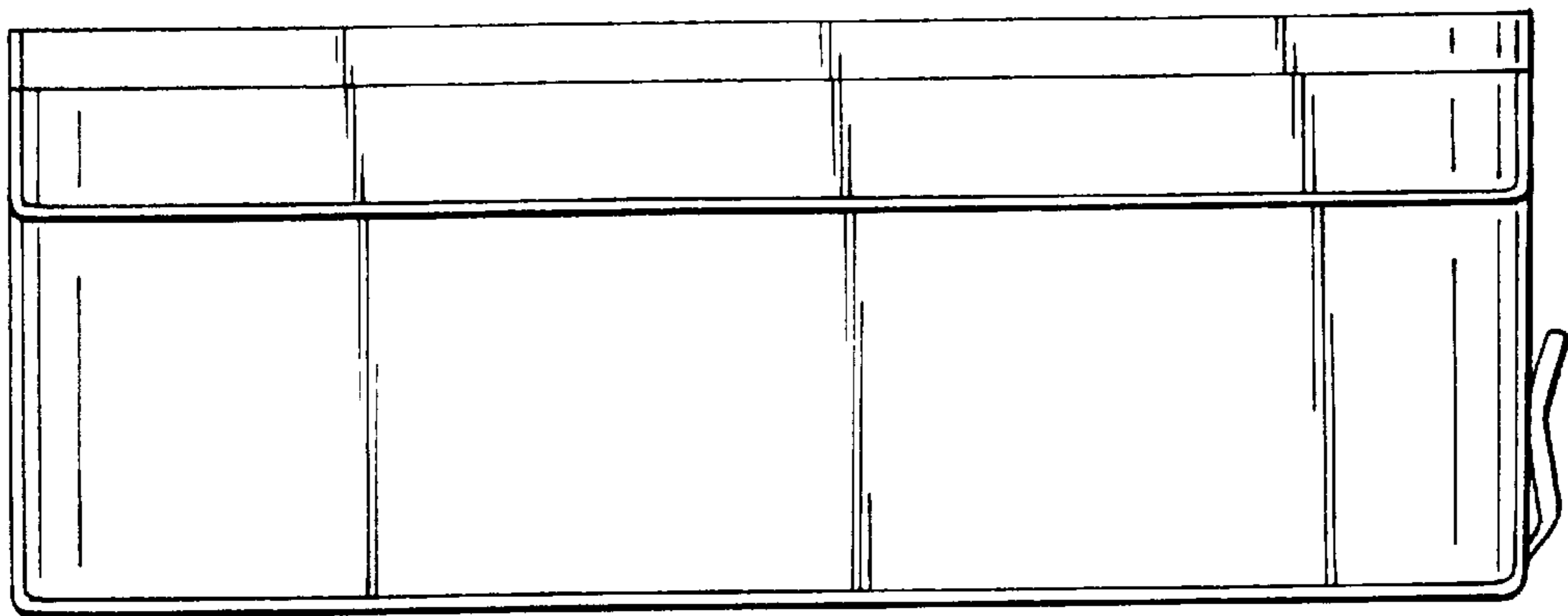


*Fig. 1*

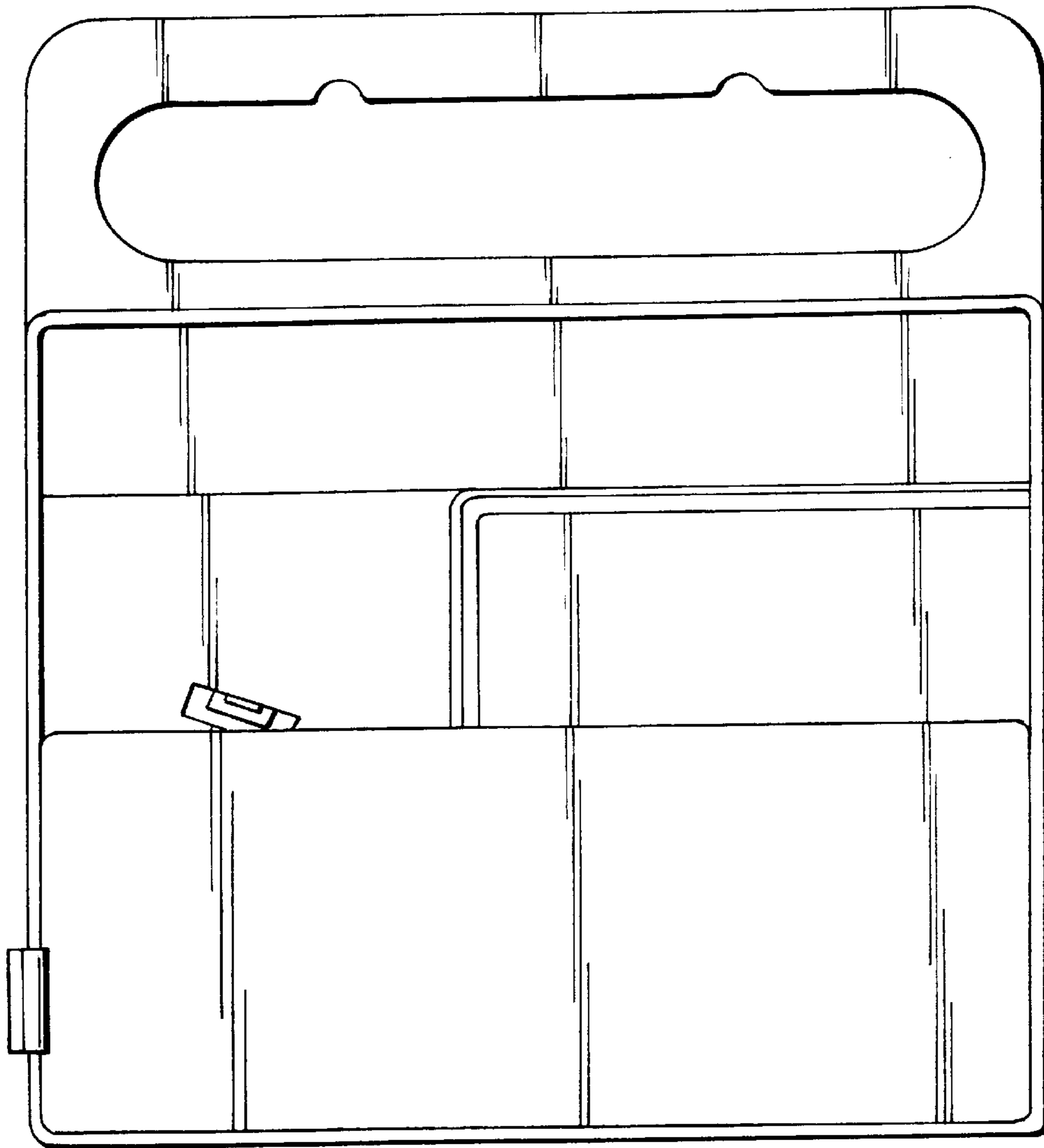




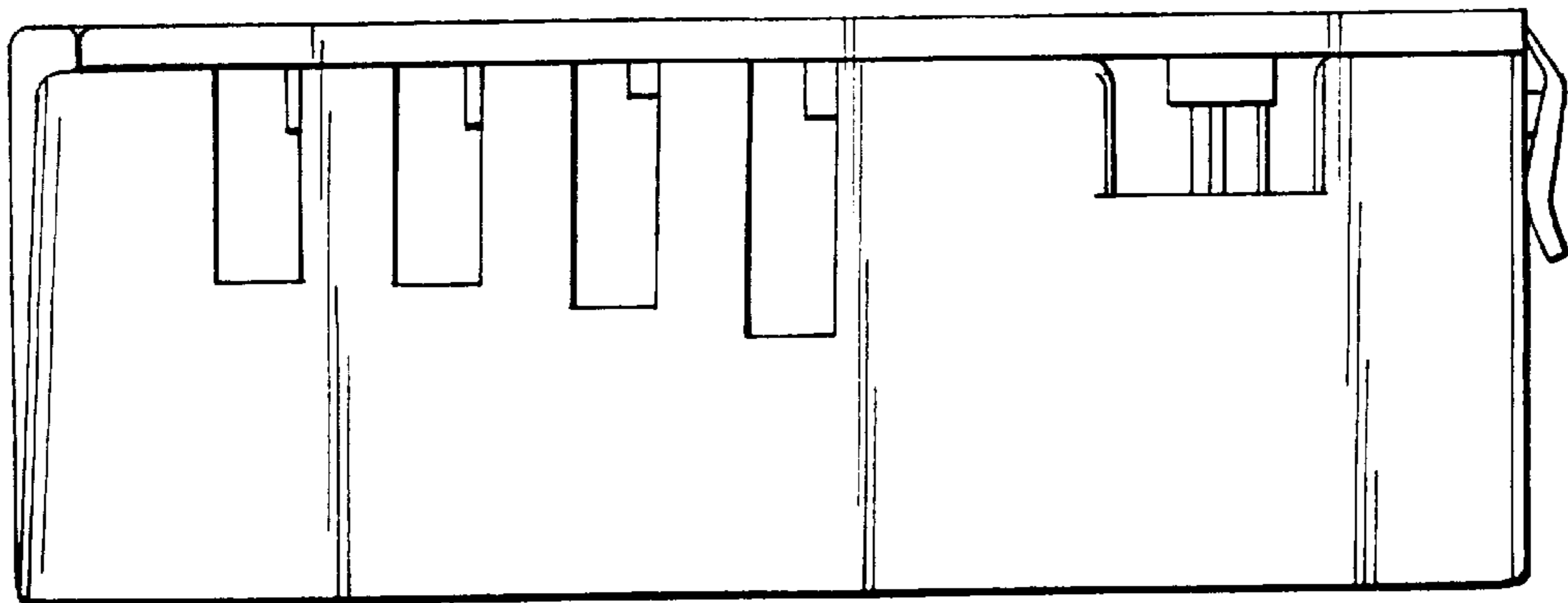
*Fig. 2*



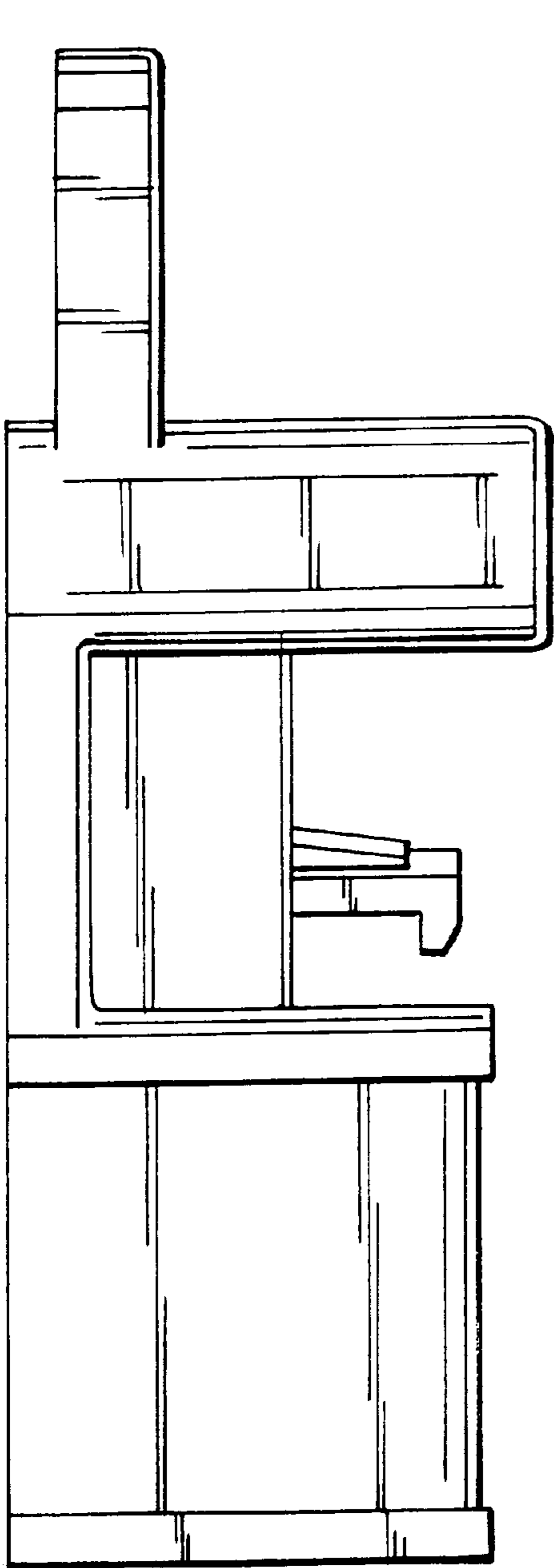
*Fig. 3*



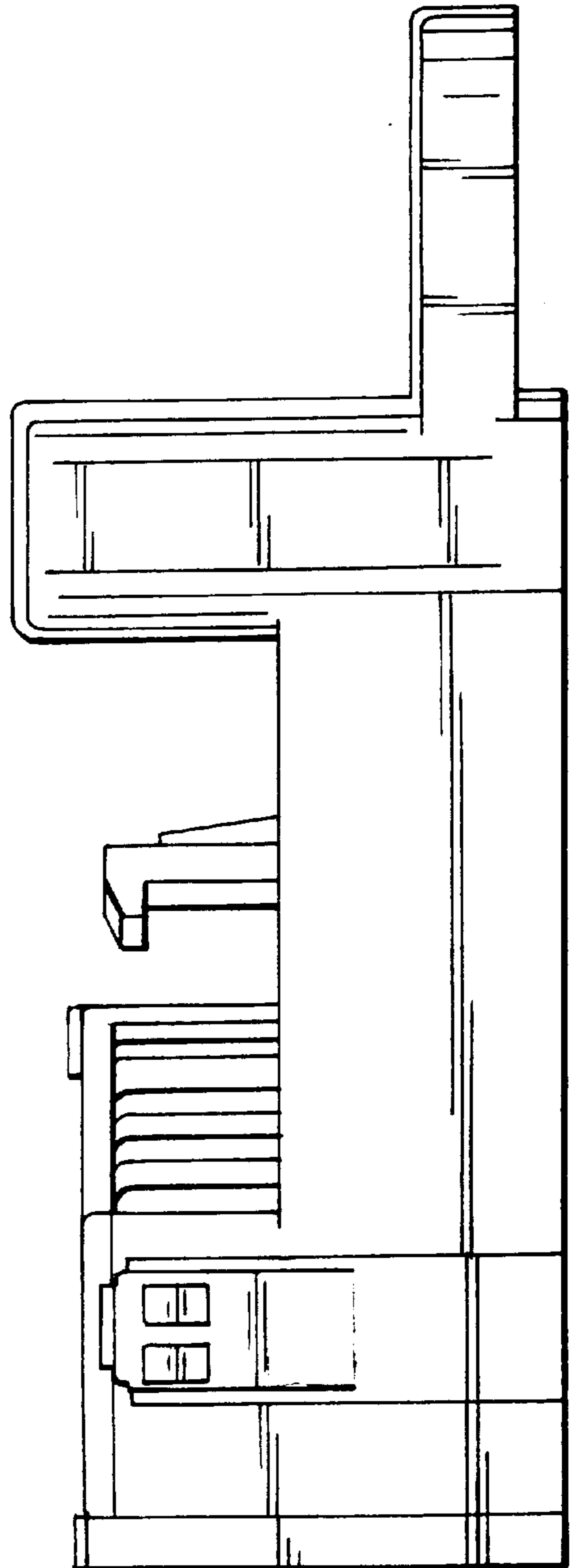
*Fig. 4*



*Fig. 5*

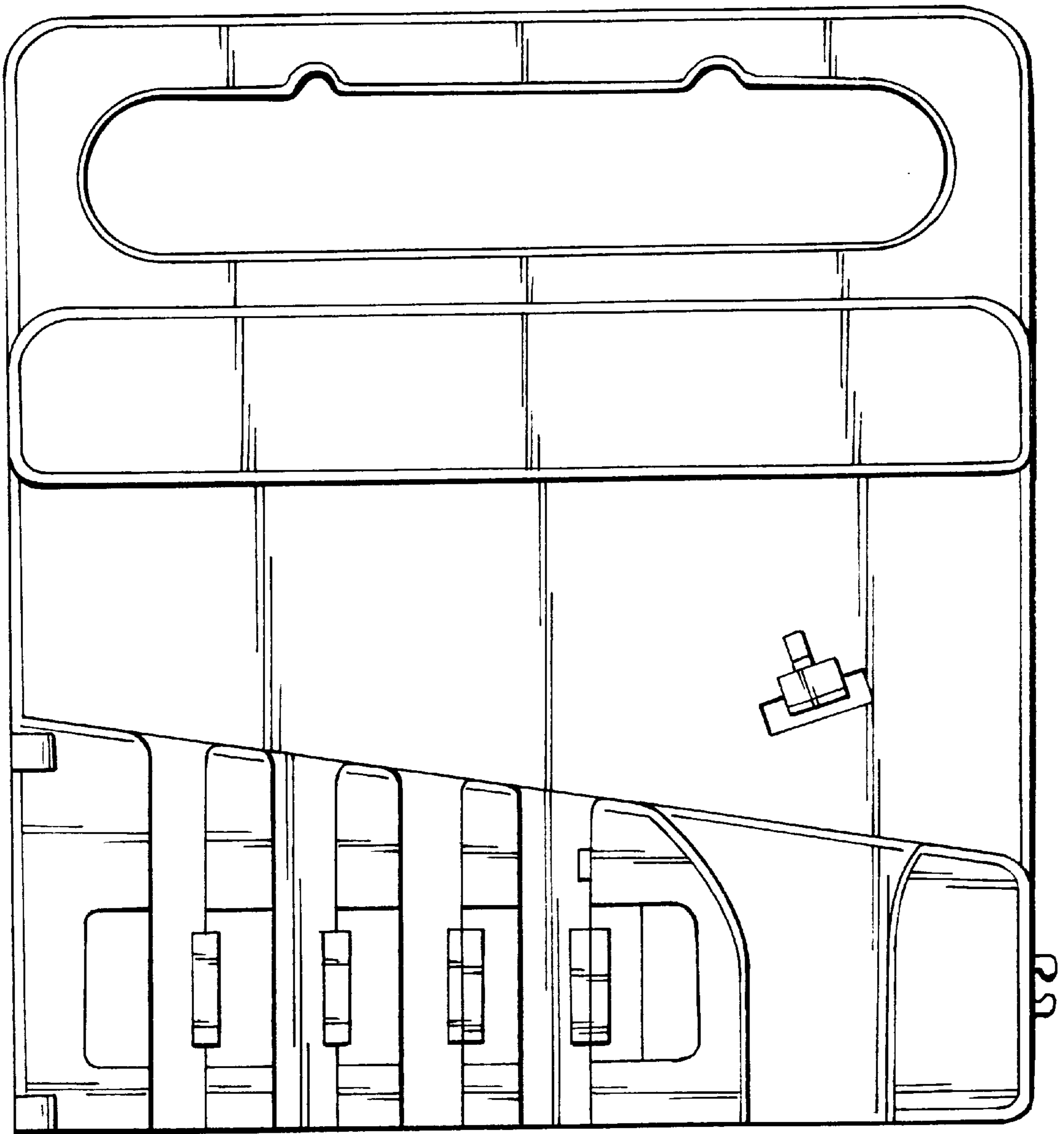


*Fig. 6*



*Fig. 7*





*Fig. 8*