



US00D412616S

United States Patent [19] Livingston

[11] Patent Number: Des. 412,616

[45] Date of Patent: ** Aug. 10, 1999

[54] CARRY-ON LUGGAGE BAG

[75] Inventor: **Linda D. Livingston**, Los Angeles, Calif.

[73] Assignee: **KT Travel Gear**, Los Angeles, Calif.

[**] Term: **14 Years**

[21] Appl. No.: **29/089,210**

[22] Filed: **Jun. 10, 1998**

[51] LOC (6) Cl. **03-01**

[52] U.S. Cl. **D3/276; D3/283; D3/289**

[58] Field of Search D3/273, 276, 283, D3/284, 301, 285, 286, 900; 190/110, 111, 112, 113, 114, 115

[56] **References Cited**

U.S. PATENT DOCUMENTS

D. 254,819	4/1980	Harrison	D3/286
D. 278,858	5/1985	Katz et al.	D3/285
D. 317,379	6/1991	Whitworth	D3/285
D. 330,281	10/1992	Siris	D3/285
D. 333,913	3/1993	Tuman	D3/285
D. 345,651	4/1994	Copp	D3/285
D. 352,604	11/1994	Johnson	D3/900
2,705,063	3/1955	Torrent	.	
3,120,297	2/1964	Riley	.	
3,139,133	6/1964	Spector	.	
4,609,084	9/1986	Thomas	.	
4,620,579	11/1986	Lowe et al.	.	

4,718,524	1/1988	Crumley	.
4,880,315	11/1989	Berry et al.	.
4,895,198	1/1990	Samuelson	.
4,960,204	10/1990	Young et al.	.
4,970,821	11/1990	Young	.
5,096,030	3/1992	Espinosa et al.	.

Primary Examiner—Philip S. Hyder
Attorney, Agent, or Firm—Edward Gray

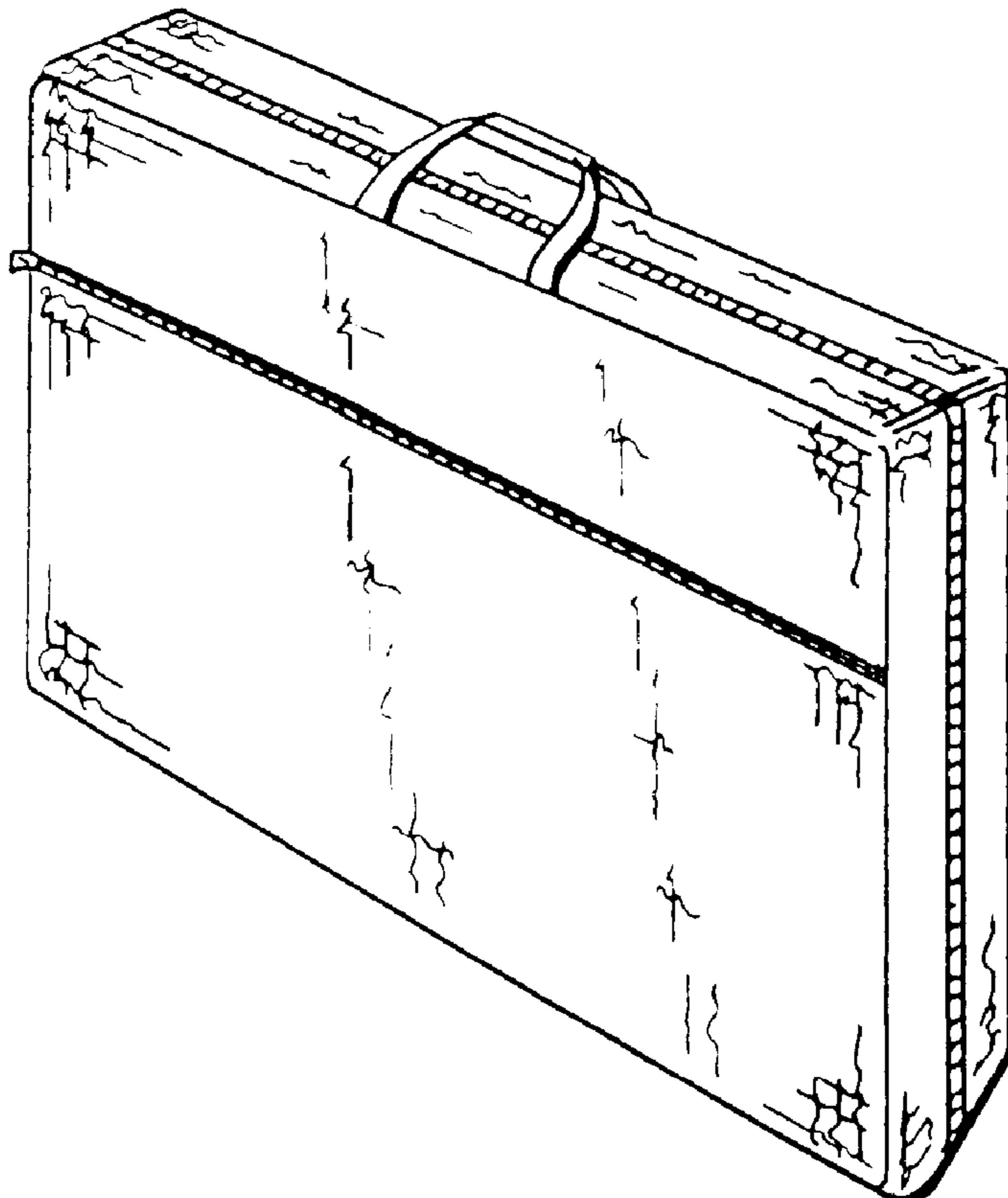
[57] **CLAIM**

I claim the ornamental design for a carry-on luggage bag, as shown.

DESCRIPTION

FIG. 1 is a front perspective view of a carry-on luggage bag showing my new design, including a transparent flap shown in the open position;
 FIG. 2 is a front perspective view thereof, the flap shown in the closed position;
 FIG. 3 is a rear perspective view thereof, the flap in the closed position;
 FIG. 4 is a left side elevational view thereof, the flap in the closed position;
 FIG. 5 is a right side elevational view thereof, the flap in the closed position;
 FIG. 6 is a top elevational view thereof, the flap in the closed position;
 FIG. 7 is a bottom elevational view thereof, the flap in the closed position; and,
 FIG. 8 is a perspective view of the closed bag.

1 Claim, 3 Drawing Sheets



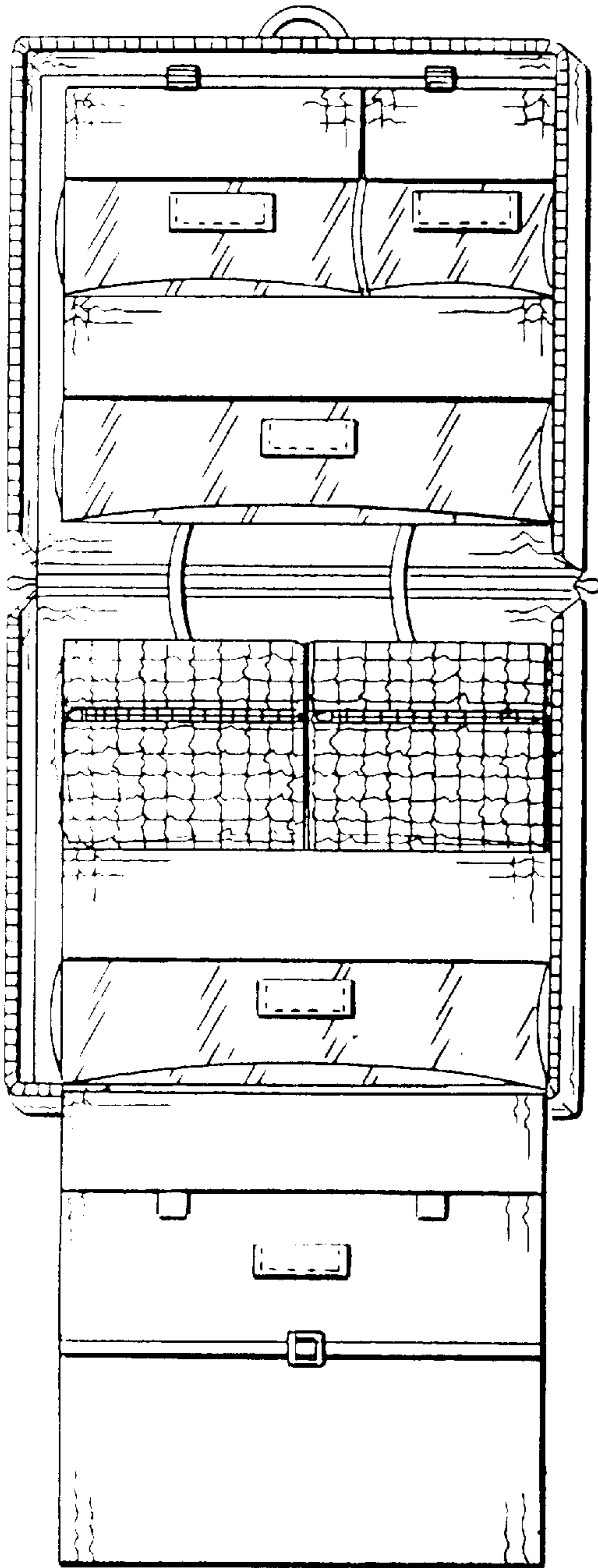


FIG. 1

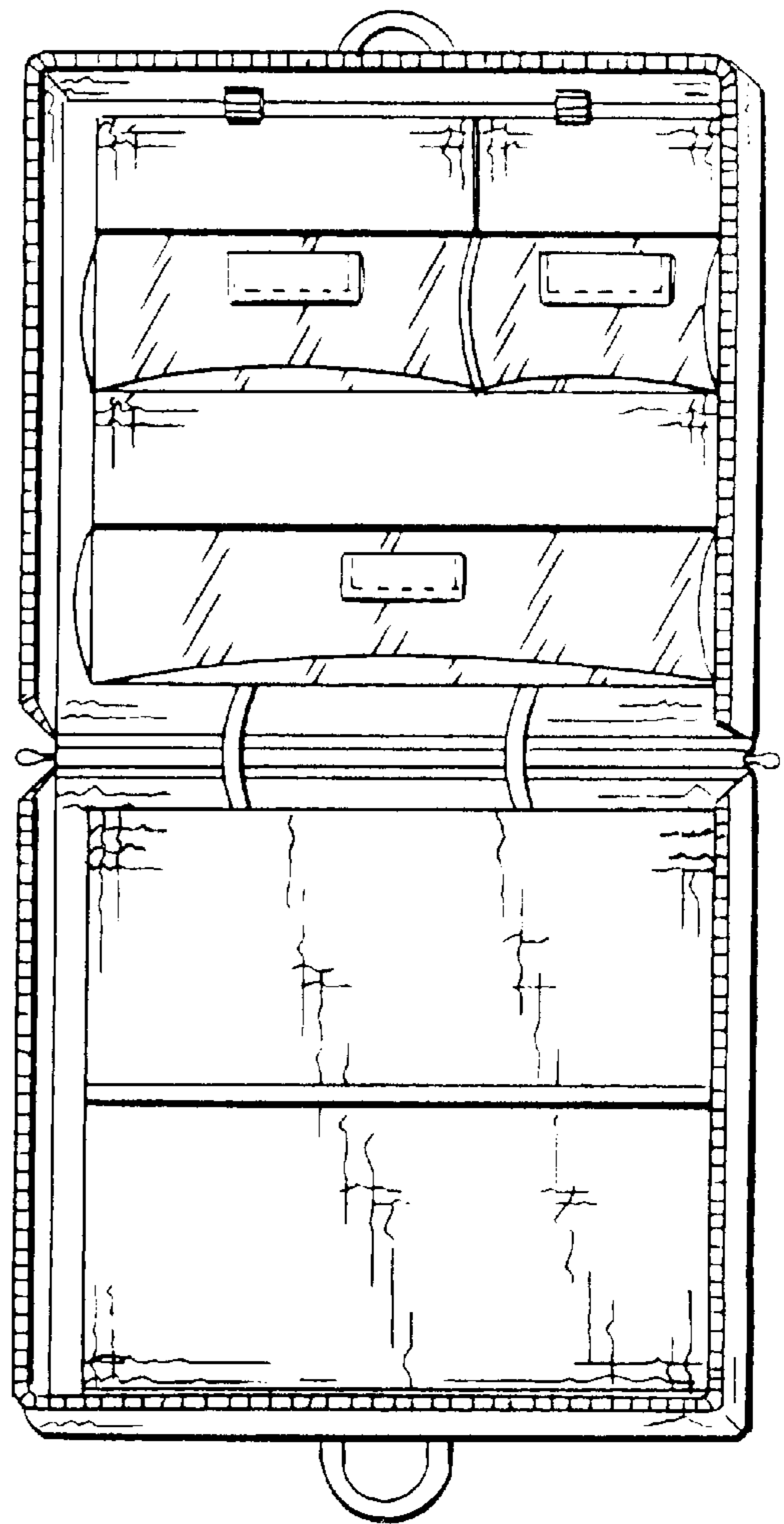


FIG. 2

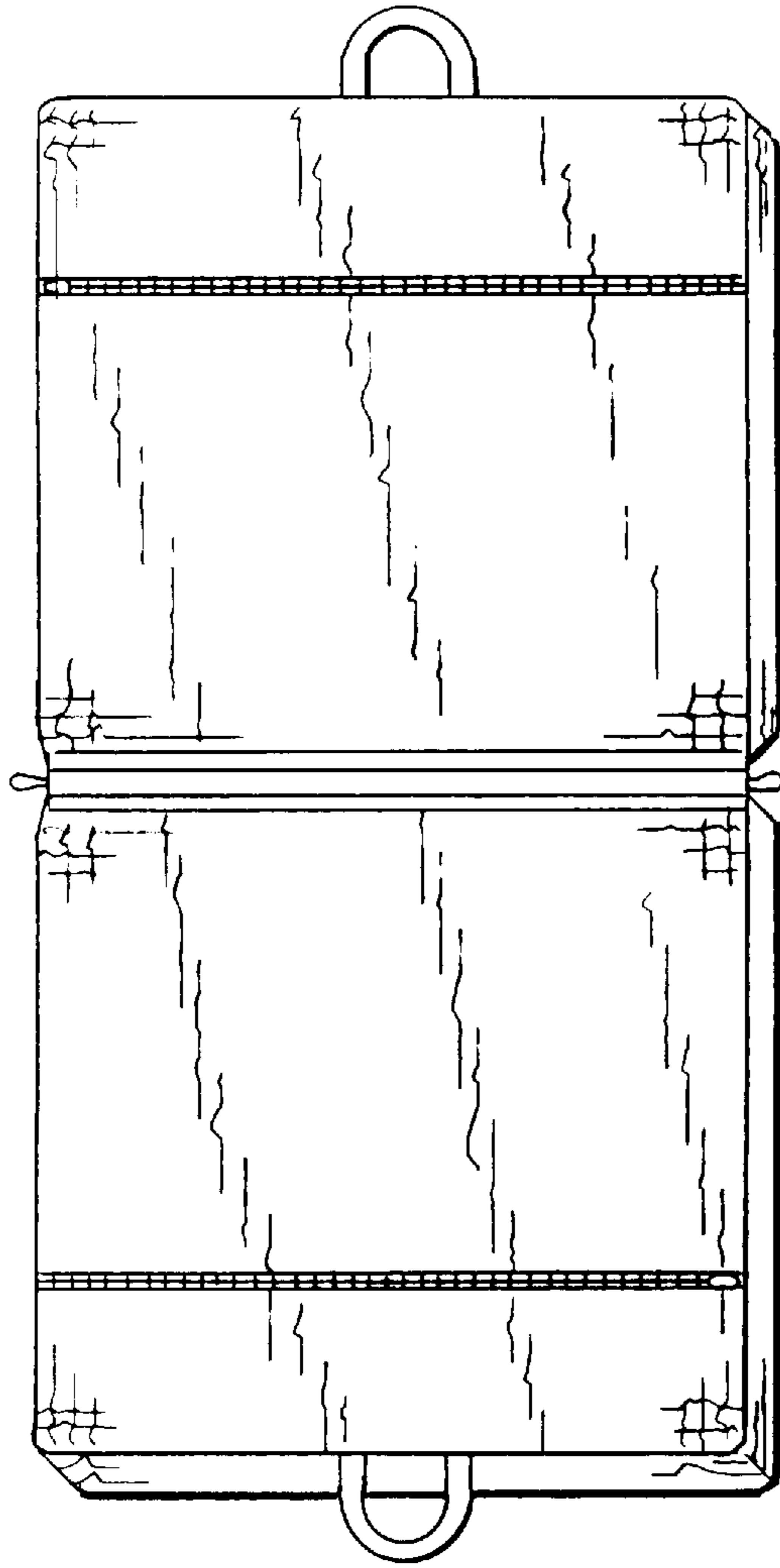


FIG. 3



FIG. 4



FIG. 5



FIG. 6

FIG. 7

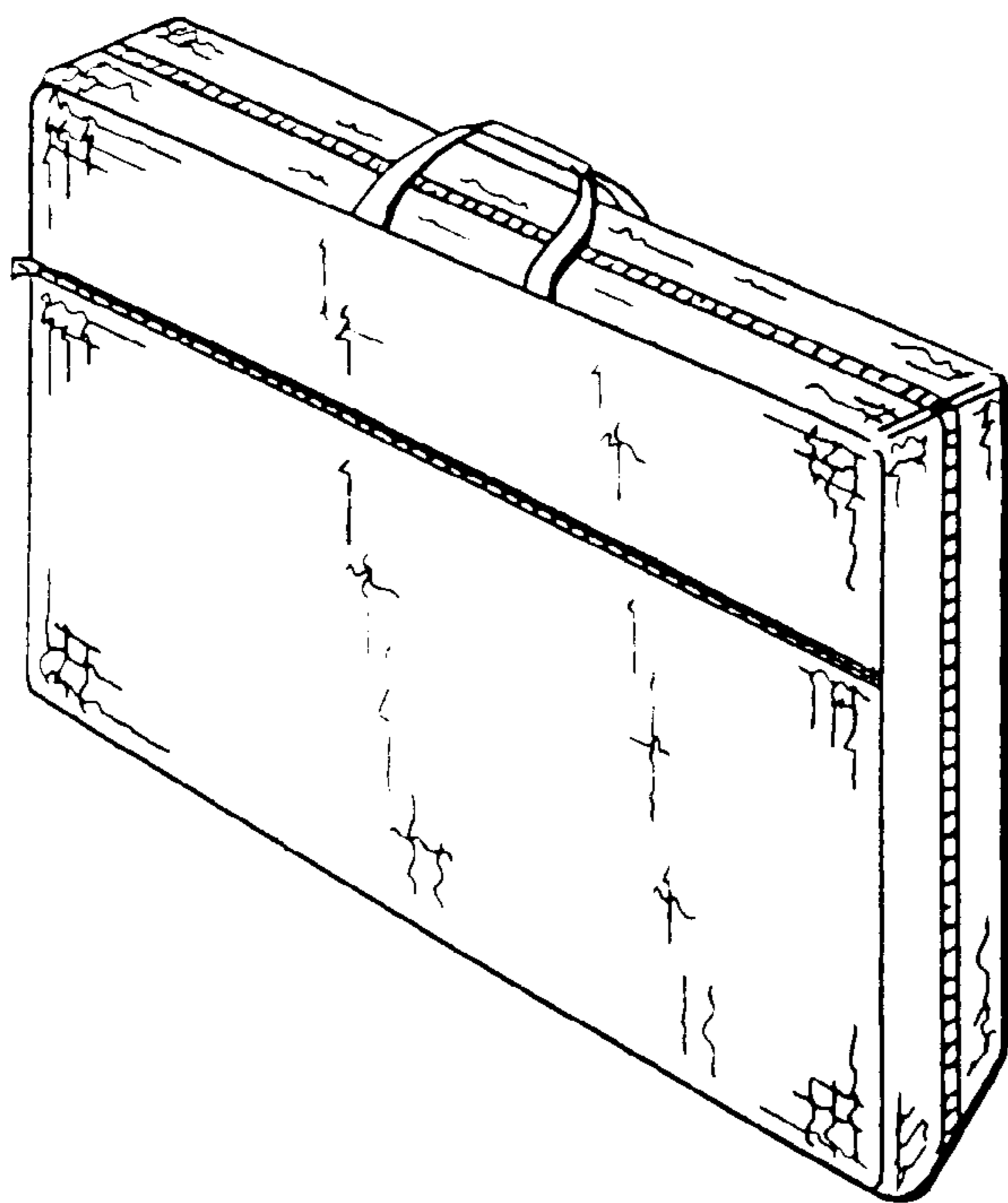


FIG. 8